



US00D994108S

(12) **United States Design Patent**  
**Hu**

(10) **Patent No.:** **US D994,108 S**

(45) **Date of Patent:** **\*\* Aug. 1, 2023**

- (54) **ELECTRIC FAN**
- (71) Applicant: **E. MISHAN & SONS, INC.**, New York, NY (US)
- (72) Inventor: **Bingo Hu**, Zhejiang (CN)
- (73) Assignee: **E. MISHAN & SONS, INC.**, New York, NY (US)
- (\*\*) Term: **15 Years**
- (21) Appl. No.: **29/756,407**
- (22) Filed: **Oct. 28, 2020**
- (51) **LOC (14) Cl.** ..... **23-04**
- (52) **U.S. Cl.**  
USPC ..... **D23/382**
- (58) **Field of Classification Search**  
USPC ..... D23/328, 332, 333, 335-337, 351, 352, D23/364, 370, 378, 380, 381-383, D23/411-414; D26/59  
CPC .... F04D 25/0673; F04D 25/08; F04D 25/084; F04D 25/086; F04D 29/4226  
See application file for complete search history.

D905,843	S	*	12/2020	Chen	.....	D23/382
D923,772	S	*	6/2021	Chen	.....	D23/378
D925,087	S	*	7/2021	Chen	.....	D26/65
D944,963	S	*	3/2022	Huang	.....	D23/382
11,378,100	B2	*	7/2022	Hu	.....	F04D 25/084
D986,401	S	*	5/2023	Chen	.....	D23/382
2016/0356279	A1	*	12/2016	Xu	.....	F04D 29/327
2020/0240578	A1	*	7/2020	Chen	.....	F16M 11/10
2021/0079931	A1	*	3/2021	Hu	.....	F04D 25/0673

**OTHER PUBLICATIONS**

My Foldaway Fan Review, date posted Jun. 18, 2020, site visited Nov. 3, 2021, available from internet <<https://www.youtube.com/watch?v=f66KZXvf454>>.\*

\* cited by examiner

*Primary Examiner* — Sharon S Oum  
(74) *Attorney, Agent, or Firm* — Notaro, Michalos & Zaccaria P.C.

(57) **CLAIM**

The ornamental design for an electric fan, as shown and described.

**DESCRIPTION**

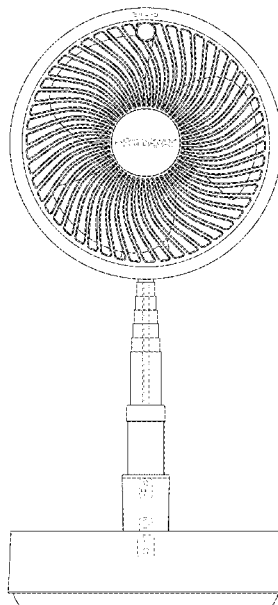
FIG. 1 is a front elevational view of an electric fan showing my design;  
FIG. 2 is a rear elevational view thereof;  
FIG. 3 is a right elevational view thereof;  
FIG. 4 is a left elevational view thereof;  
FIG. 5 is a top plan view thereof;  
FIG. 6 is a bottom plan view thereof;  
FIG. 7 is a top, front, right perspective view thereof; and,  
FIG. 8 is a top, front, left perspective view thereof.  
Broken lines indicate features of the electric fan which do not form any part of the claimed design.

**1 Claim, 8 Drawing Sheets**

(56) **References Cited**

**U.S. PATENT DOCUMENTS**

7,017,871	B2	*	3/2006	Chen	.....	F04D 29/601
						248/161
D549,968	S	*	9/2007	Pitot	.....	D6/312
D725,764	S	*	3/2015	Bisla	.....	D23/370
D801,060	S	*	10/2017	Hollinger	.....	D6/309
D824,012	S	*	7/2018	Xu	.....	D23/382
D827,121	S	*	8/2018	Wang	.....	D23/378
D855,171	S	*	7/2019	Xu	.....	D23/382
D881,371	S	*	4/2020	Hollinger	.....	D23/382
D884,146	S	*	5/2020	Hollinger	.....	D23/382
D890,324	S	*	7/2020	Xu	.....	D23/382
D898,180	S	*	10/2020	Du	.....	D23/382



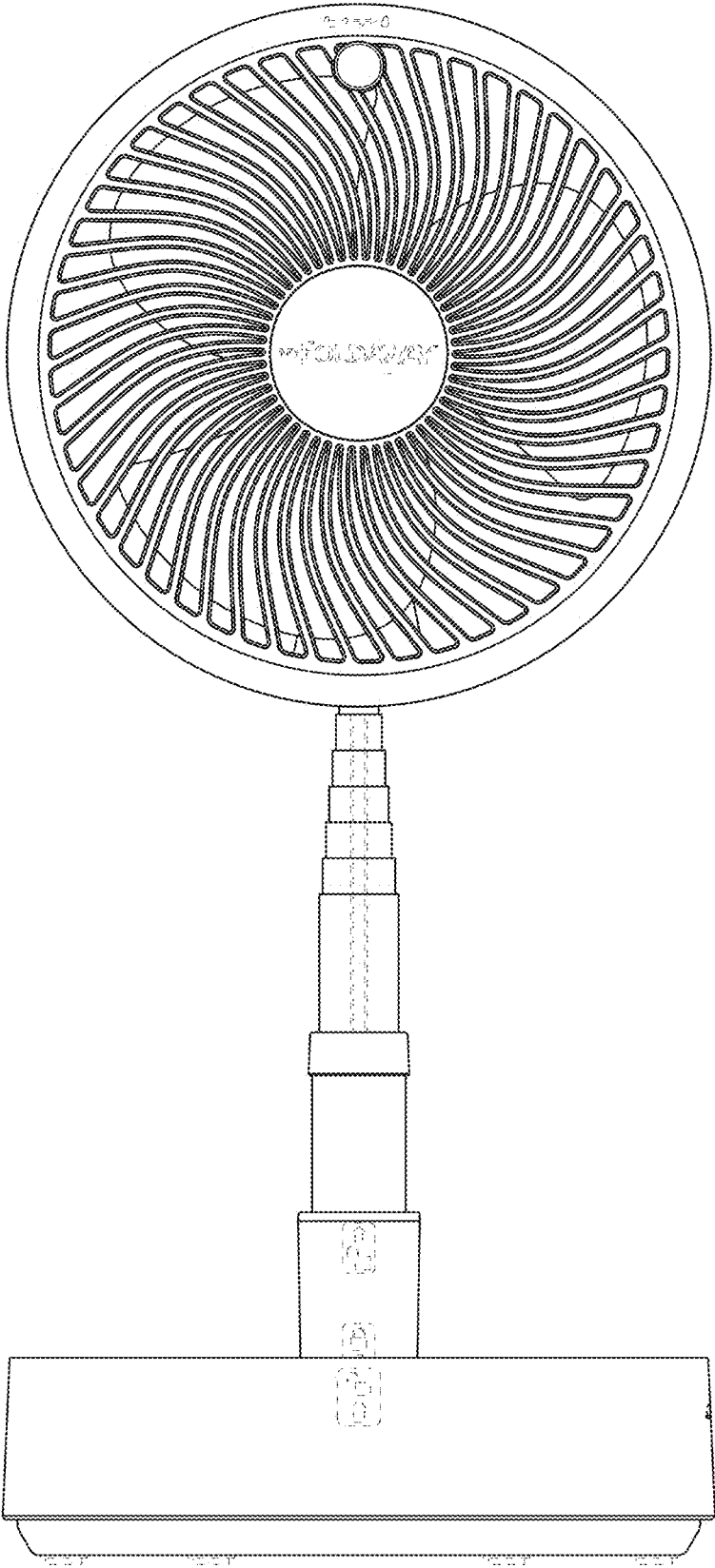


FIG. 1

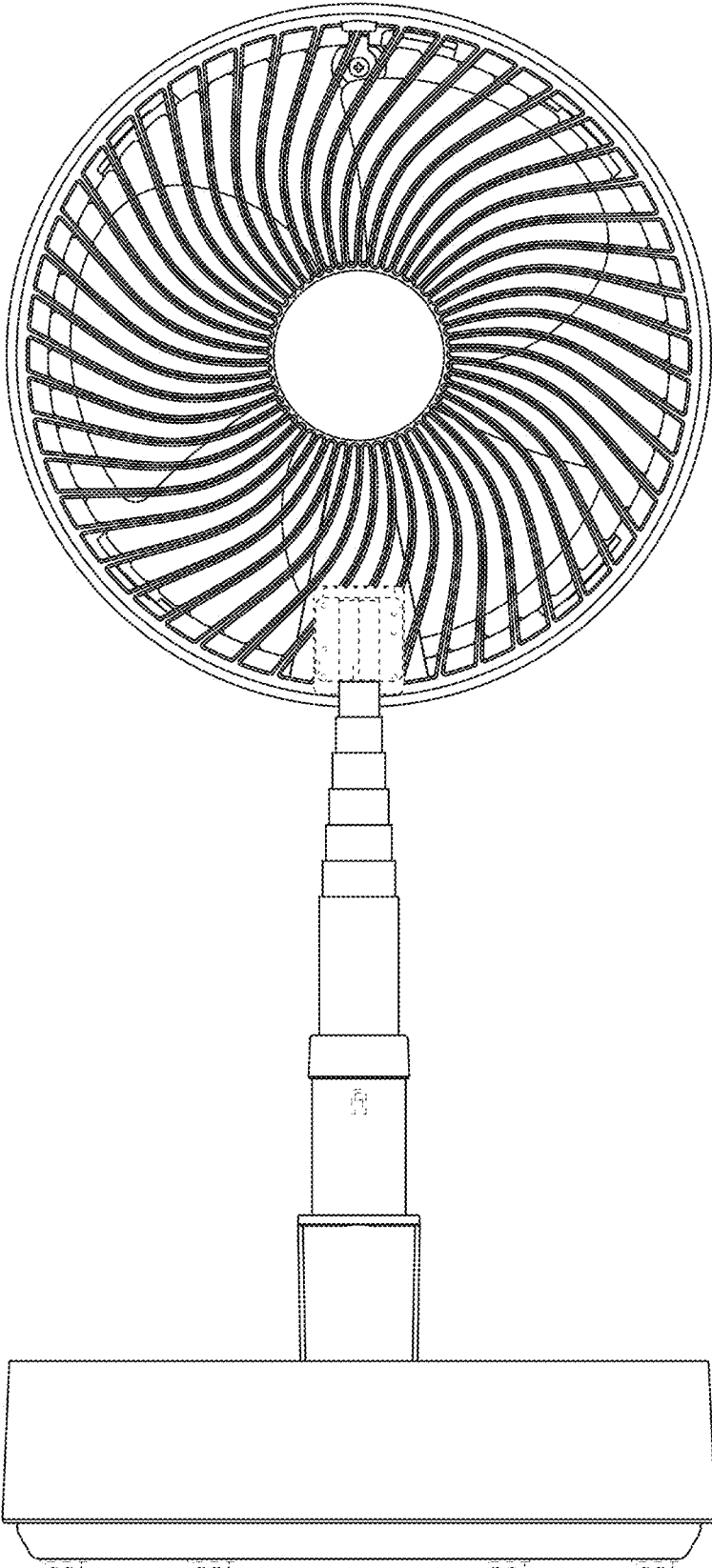


FIG. 2

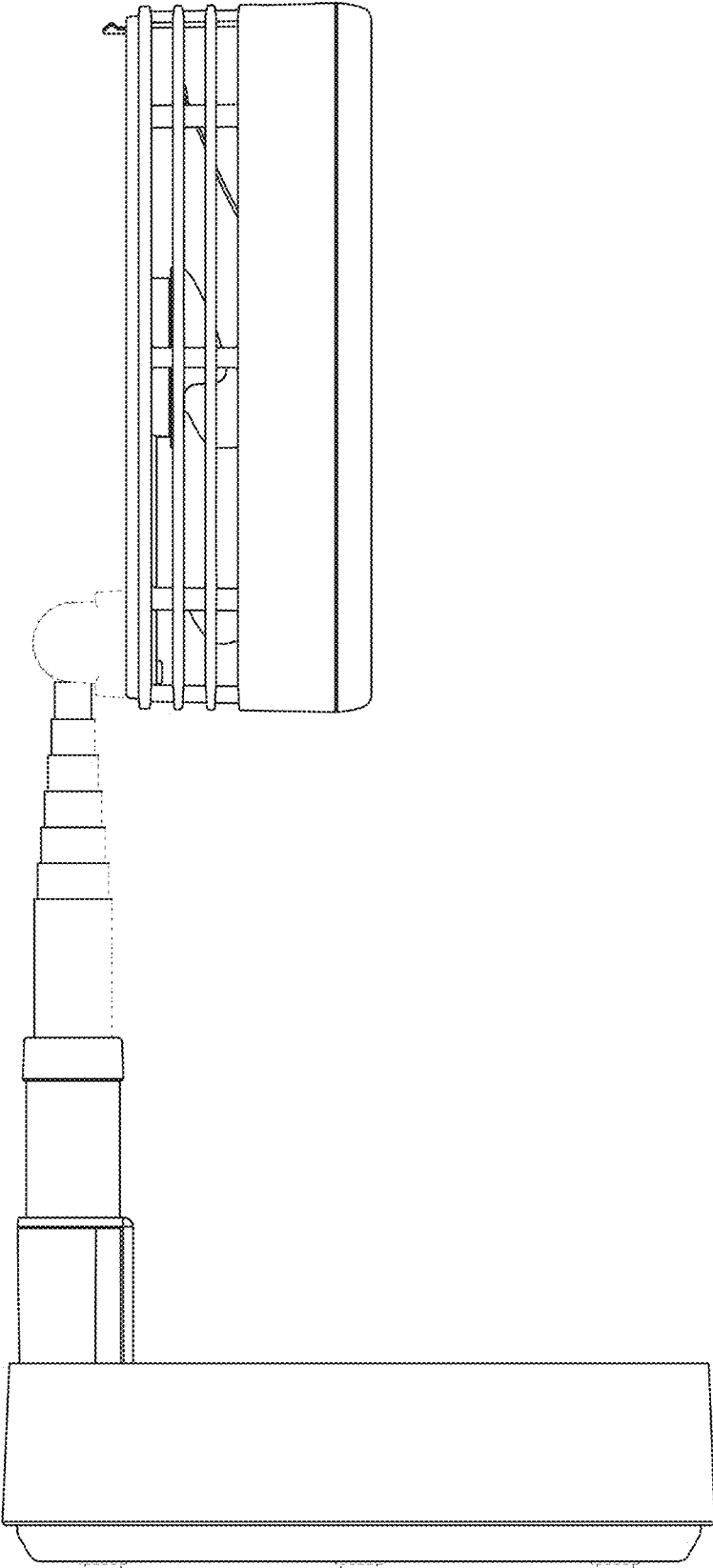


FIG. 3

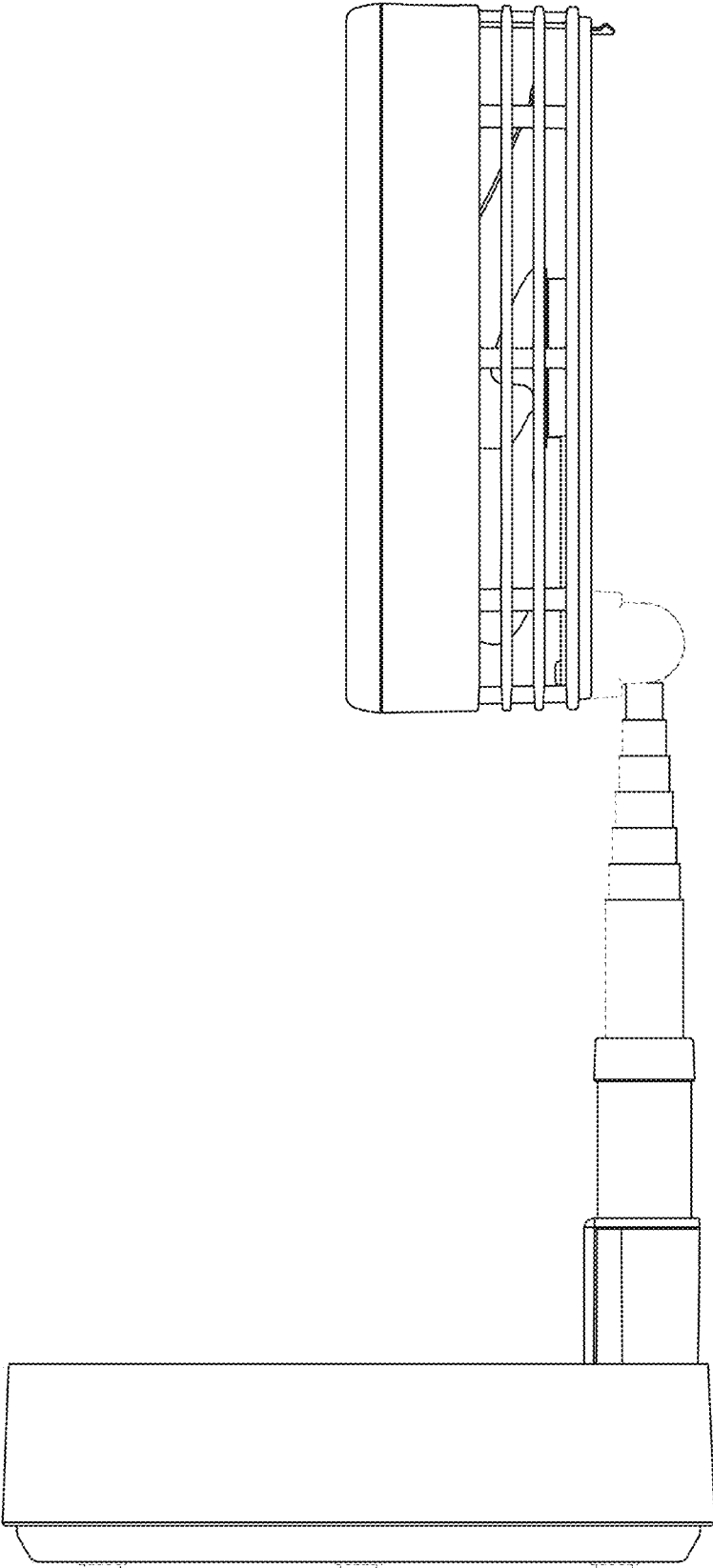


FIG. 4

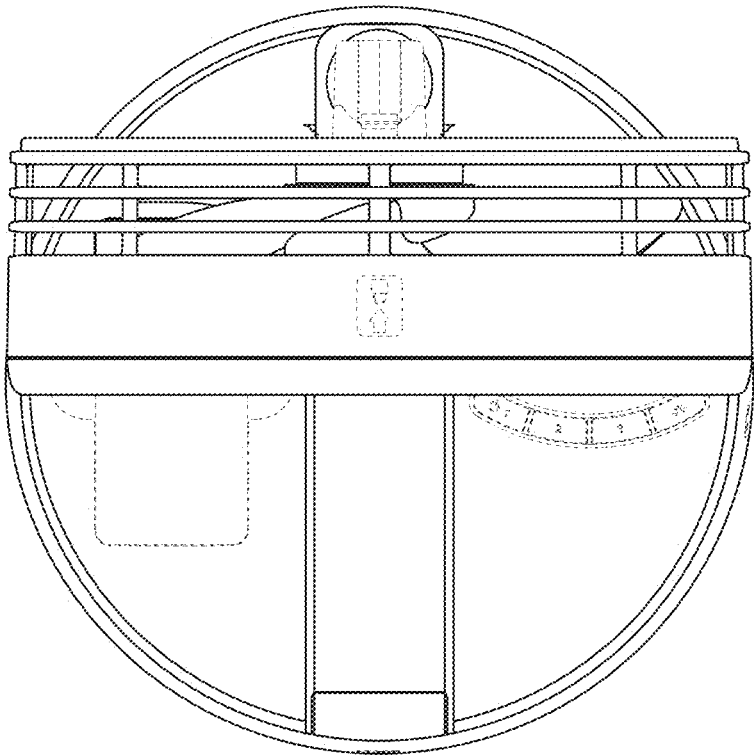


FIG. 5

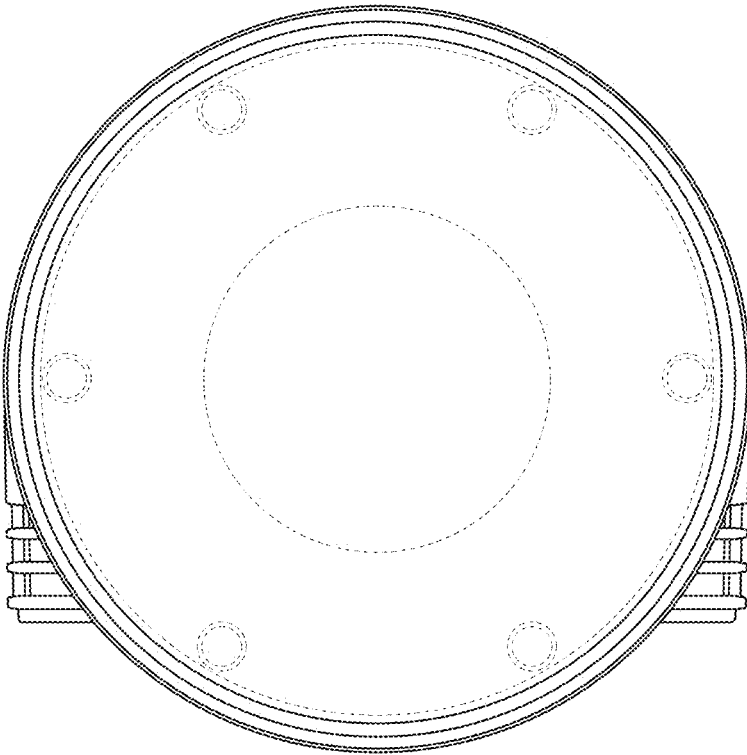


FIG. 6

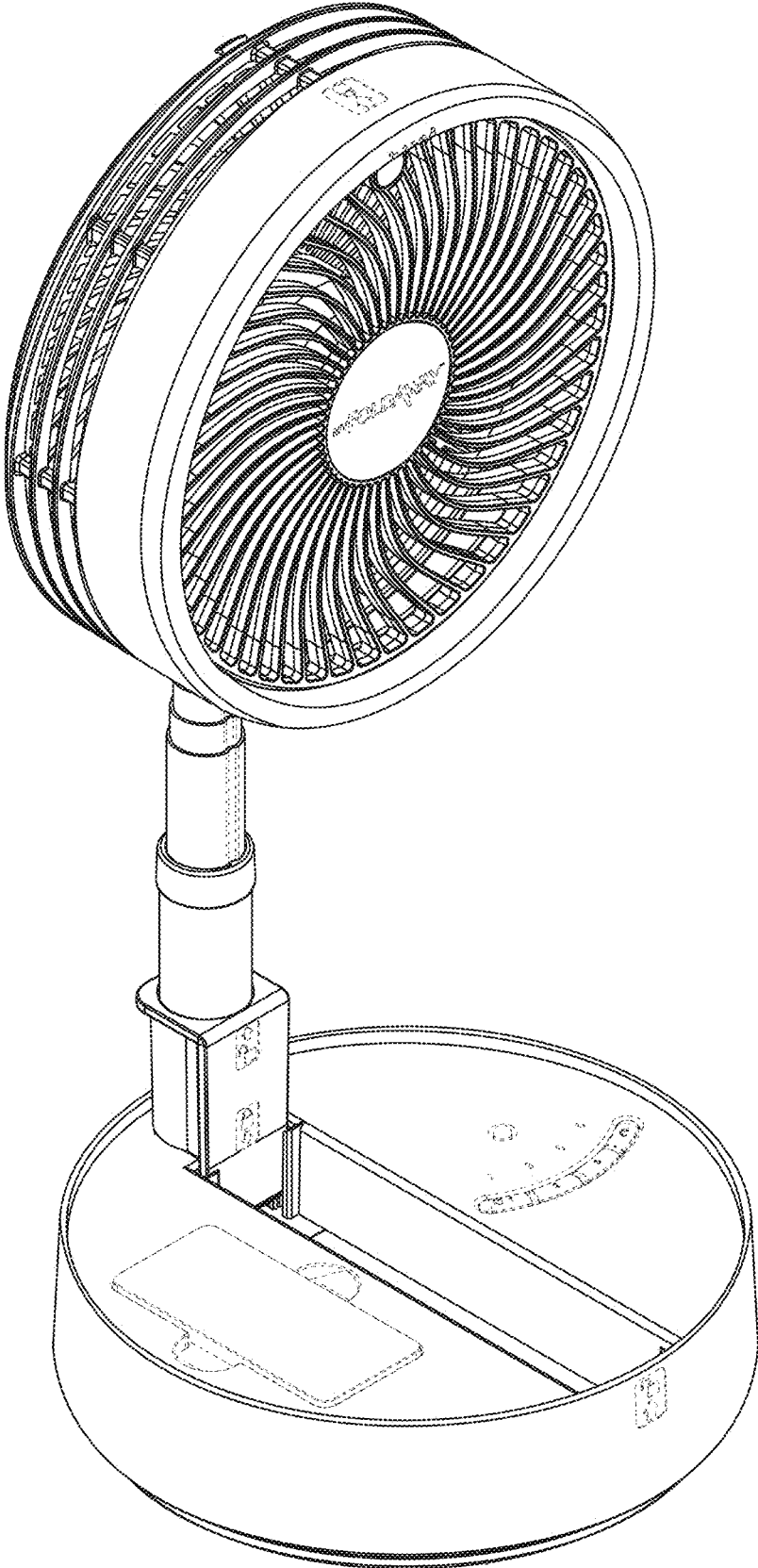


FIG. 7

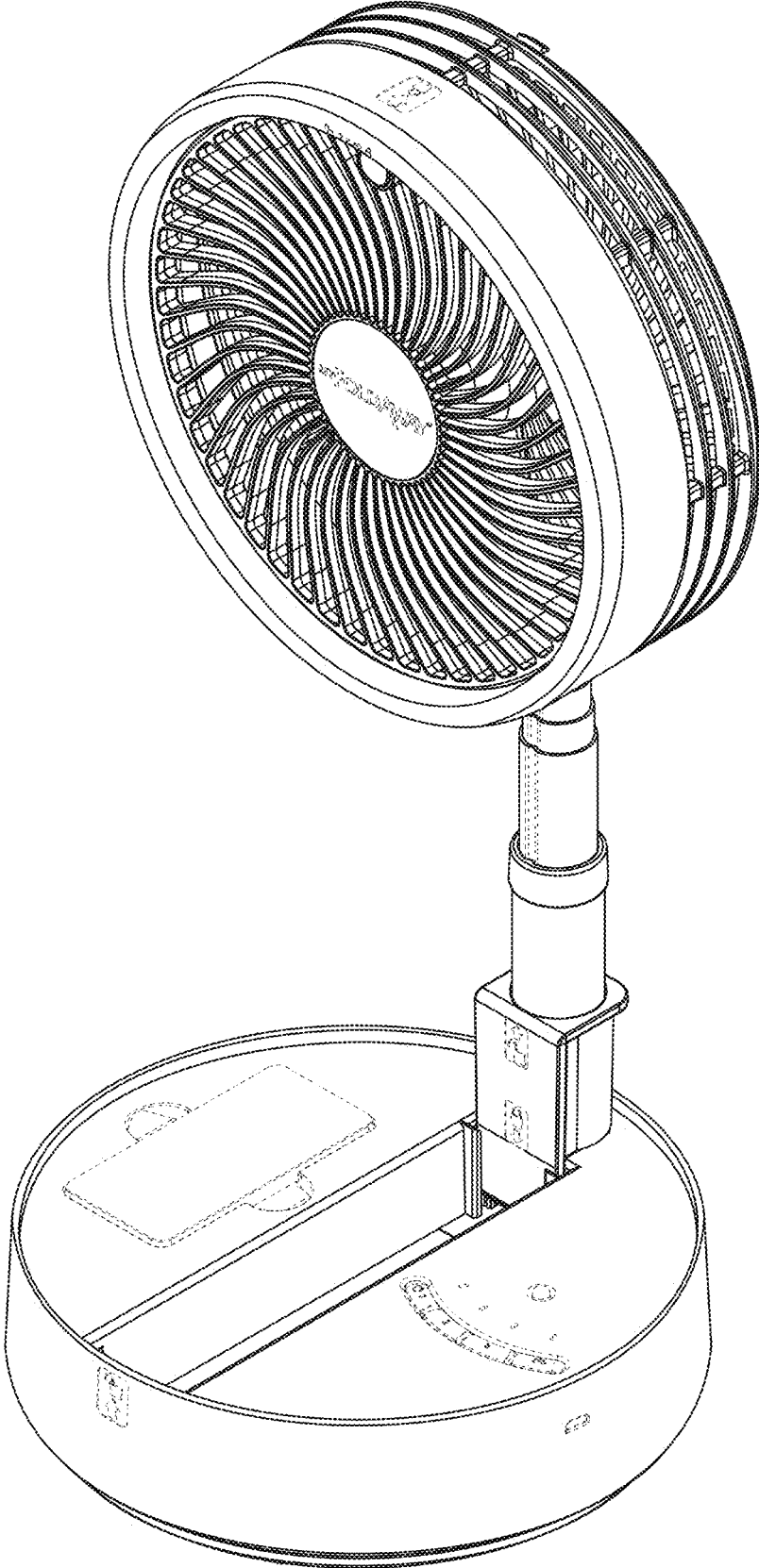


FIG. 8