



(12) **United States Design Patent**
Childers et al.

(10) **Patent No.:** **US D860,142 S**
(45) **Date of Patent:** **** Sep. 17, 2019**

(54) **SLEEVE FOR FIBER OPTIC CONNECTOR**

(71) Applicant: **US Conec, Ltd.**, Hickory, NC (US)

(72) Inventors: **Darrell R. Childers**, Hickory, NC (US); **Craig M. Conrad**, Hickory, NC (US); **Jason Higley**, Hickory, NC (US); **Jilcha F. Wakjira**, Hickory, NC (US); **Myron W. Yount**, Conover, NC (US); **Michael E. Hughes**, Hickory, NC (US)

(73) Assignee: **US Conec, Ltd**, Hickory, NC (US)

(**) Term: **15 Years**

(21) Appl. No.: **29/663,831**

(22) Filed: **Sep. 19, 2018**

Related U.S. Application Data

(63) Continuation of application No. 15/810,353, filed on Nov. 13, 2017.

(51) **LOC (12) Cl.** **13-03**

(52) **U.S. Cl.**
USPC **D13/156**

(58) **Field of Classification Search**
USPC D13/120, 121, 123, 133, 154, 156, 158, D13/160, 173, 178, 184, 199
(Continued)

(56) **References Cited**

U.S. PATENT DOCUMENTS

D347,208 S * 5/1994 Martin D13/133
D351,587 S * 10/1994 Puchhammer D13/133
(Continued)

OTHER PUBLICATIONS

Amazon.com, "Long Push Pull Sleeve Indicating Orientation." Date accessed: May 30, 2019. Date First Available: Dec. 17, 2016. <https://www.amazon.com/Karono-Multi-mode-Transceivers-Compatible-Application/> (Year: 2016).*

Primary Examiner — Derrick E Holland
Assistant Examiner — Jennifer O King
(74) *Attorney, Agent, or Firm* — Michael L. Leetzow, P.A.; Shubhrangshu Sengupta

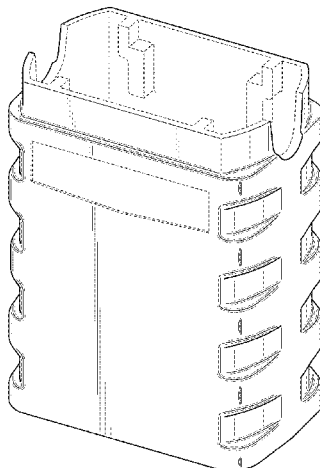
(57) **CLAIM**

The ornamental design for a sleeve for fiber optic connector, as shown and described.

DESCRIPTION

FIG. 1 is a front side perspective view from the top of a sleeve for fiber optic connector showing our new design; FIG. 2 is a front side view of the sleeve for fiber optic connector shown in FIG. 1; FIG. 3 is a back side view of the sleeve for fiber optic connector shown in FIG. 1; FIG. 4 is a left side view of the sleeve for fiber optic connector shown in FIG. 1; FIG. 5 is a right side view of the sleeve for fiber optic connector shown in FIG. 1; FIG. 6 is a top side view of the sleeve for fiber optic connector shown in FIG. 1; FIG. 7 is a bottom side view of the sleeve for fiber optic connector shown in FIG. 1; FIG. 8 is a front side perspective view from the top of a sleeve for fiber optic connector showing our new design; FIG. 9 is a front side view of the sleeve for fiber optic connector shown in FIG. 8; FIG. 10 is a back side view of the sleeve for fiber optic connector shown in FIG. 8; FIG. 11 is a left side view of the sleeve for fiber optic connector shown in FIG. 8; FIG. 12 is a right side view of the sleeve for fiber optic connector shown in FIG. 8; FIG. 13 is a top side view of the sleeve for fiber optic connector shown in FIG. 8; and, FIG. 14 is a bottom side view of the sleeve for fiber optic connector shown in FIG. 8. The broken lines shown represent portions of the sleeve for fiber optic connector that form no part of the claimed design.

1 Claim, 10 Drawing Sheets



(58) **Field of Classification Search**

CPC H01R 13/506; H01R 13/436; H01R
 13/4362; H01R 13/5213; H01R 13/6392;
 G02B 6/3825; G02B 6/3831; G02B
 6/3885; G02B 6/3893; G02B 6/3895
 See application file for complete search history.

(56) **References Cited**

U.S. PATENT DOCUMENTS

D424,016	S *	5/2000	Gipson	D13/133
D424,525	S *	5/2000	Katwala	D13/146
6,146,023	A	11/2000	Weigel		
D460,946	S *	7/2002	Montena	D13/154
6,439,920	B1 *	8/2002	Chen	H01R 4/2404 439/418
D478,321	S *	8/2003	Peng	D13/154
D488,783	S *	4/2004	Goto	D13/147
D494,933	S *	8/2004	Lu	D13/133
D552,560	S *	10/2007	Victor	D13/133
D637,160	S *	5/2011	Hu	D13/147
9,052,474	B2	6/2015	Jiang et al.		
9,658,409	B2 *	5/2017	Gniadek	G02B 6/3885
D823,255	S *	7/2018	De Jong	D13/133
D834,531	S *	11/2018	Maroney	D13/154
2012/0082416	A1	4/2012	Katoh		

* cited by examiner

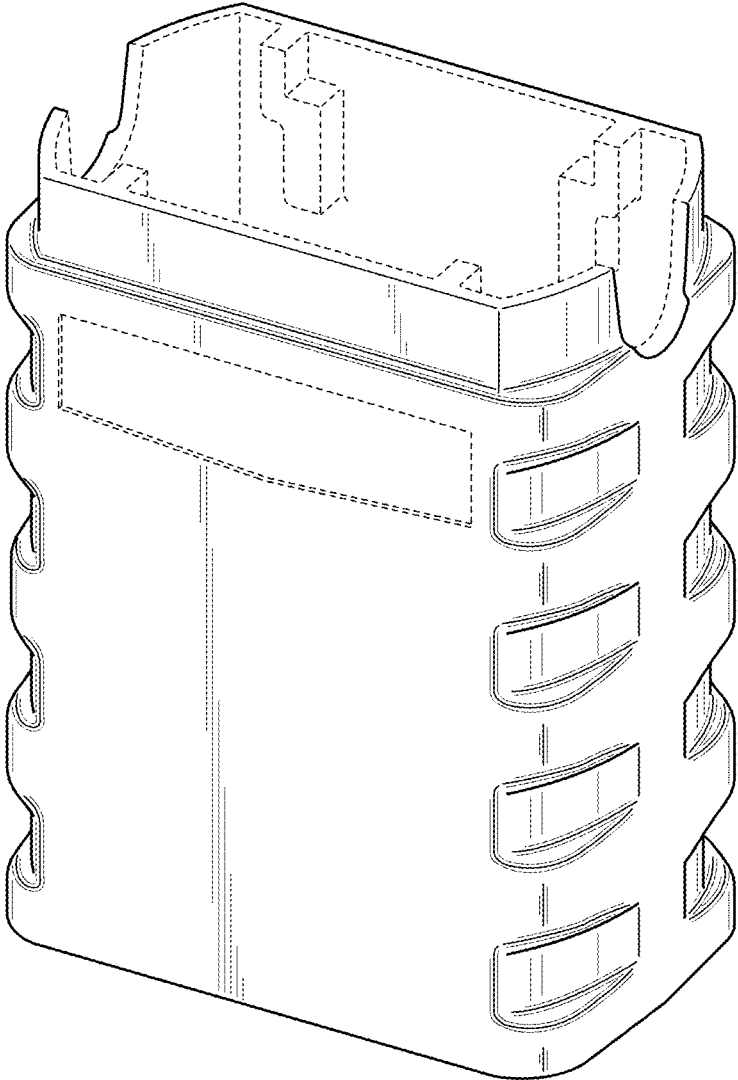


Fig. 1

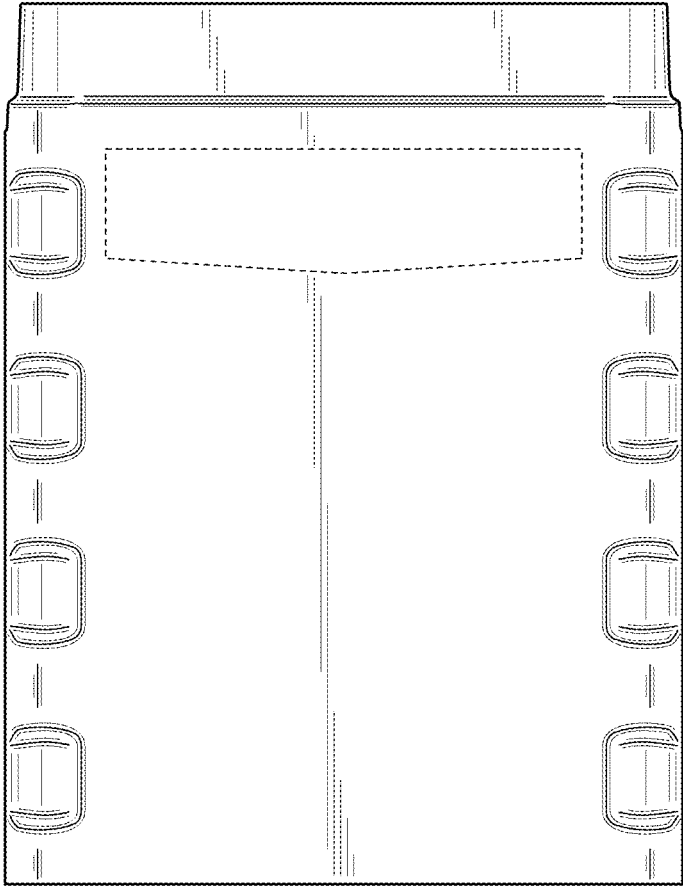


Fig. 2

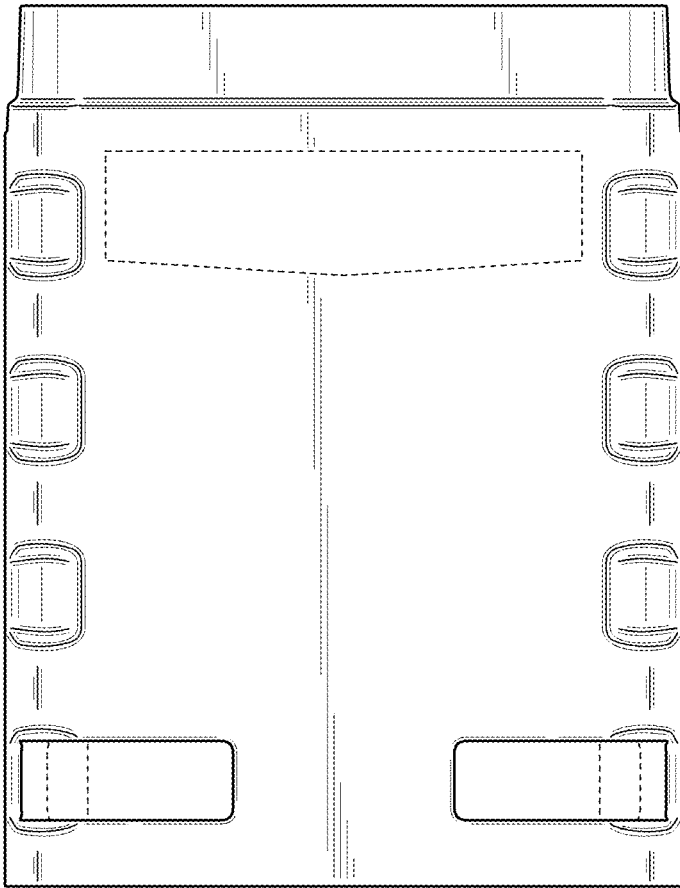


Fig. 3

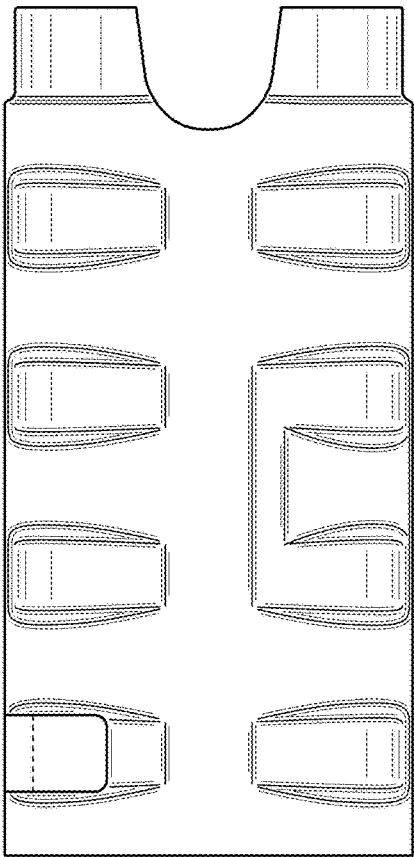


Fig. 4

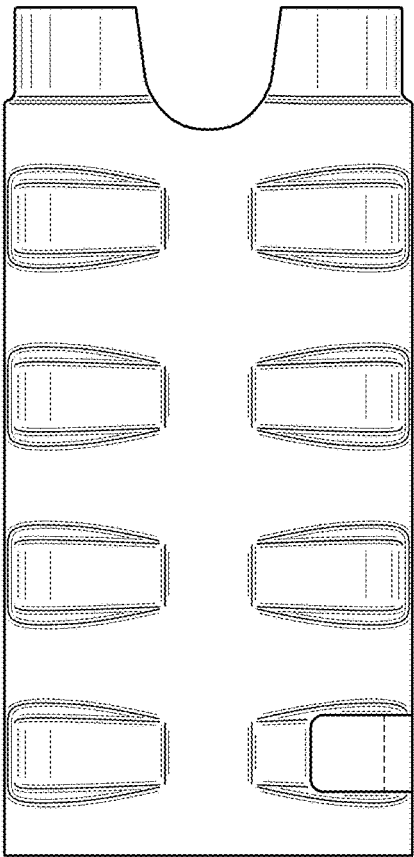


Fig. 5

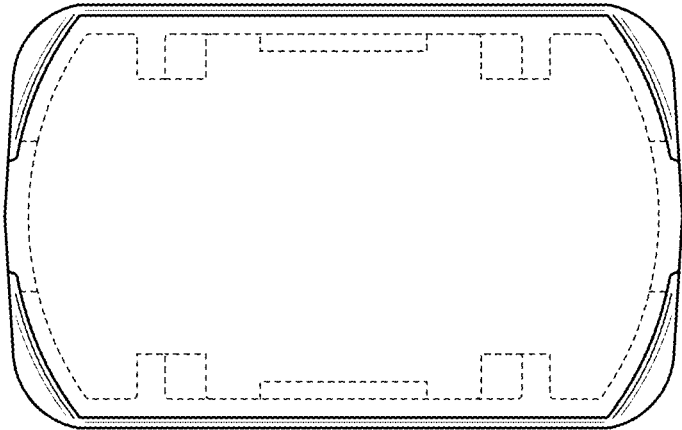


Fig. 6

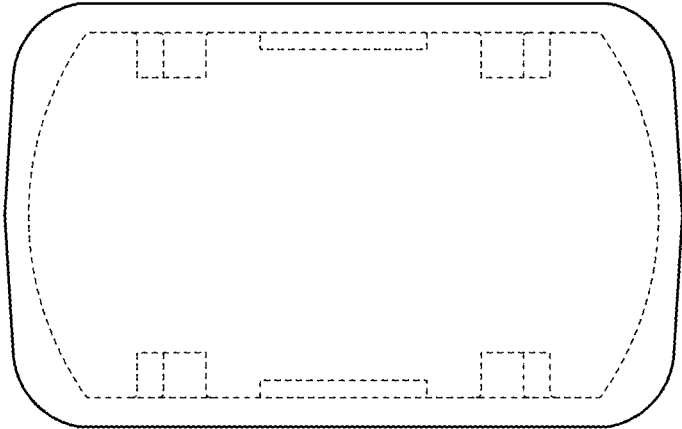


Fig. 7

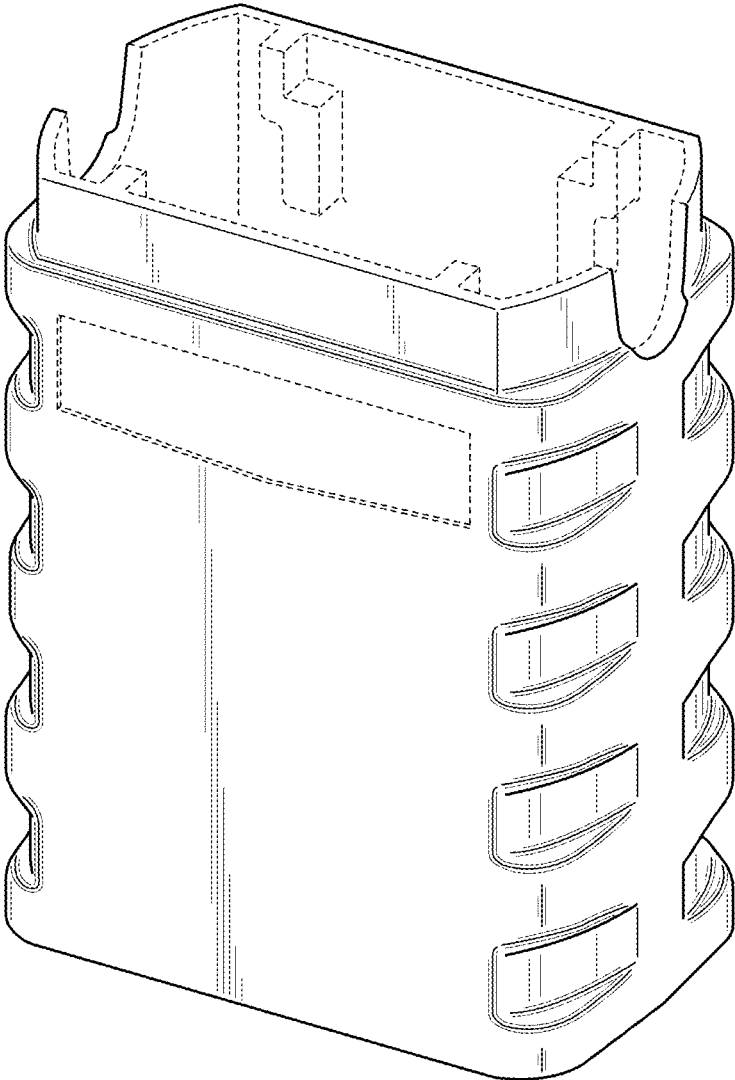


Fig. 8

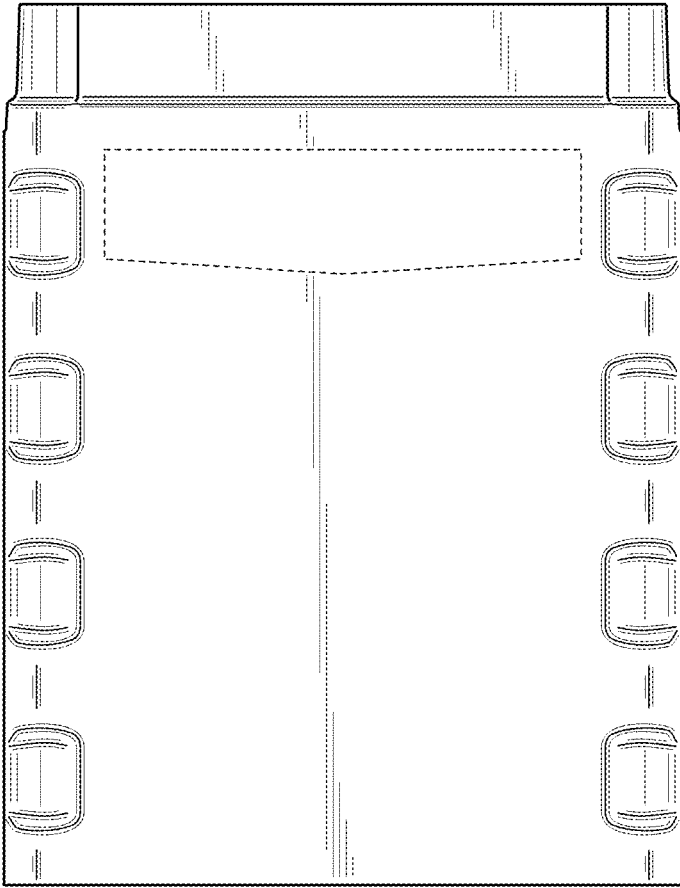


Fig. 9

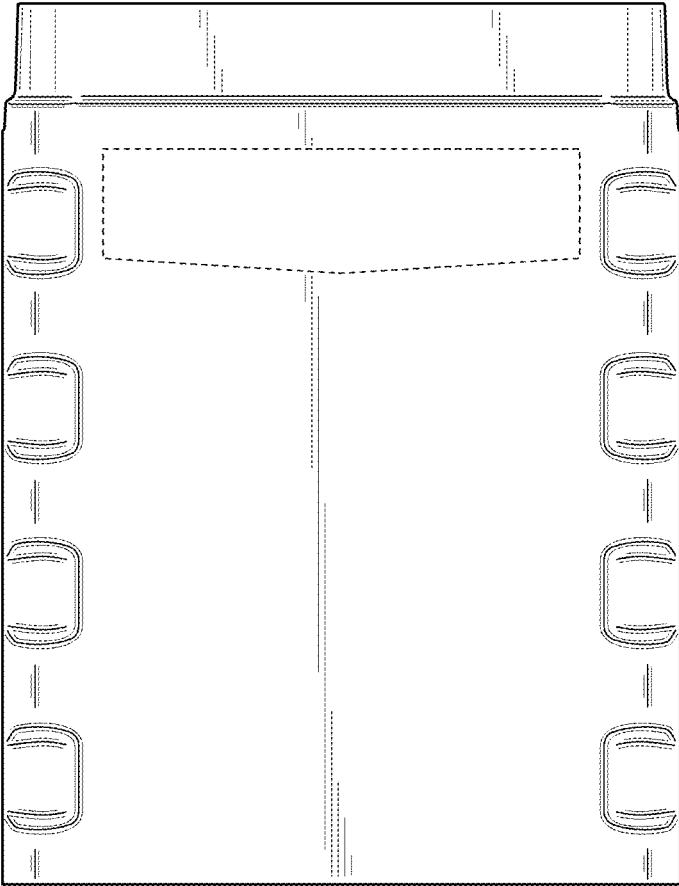


Fig. 10

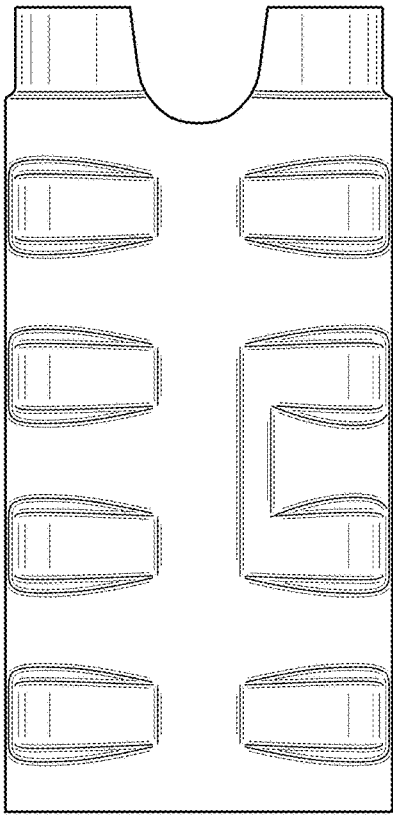


Fig. 11

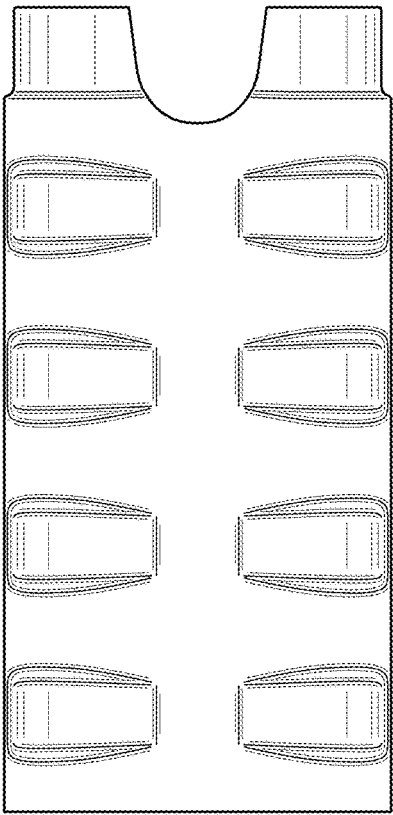


Fig. 12

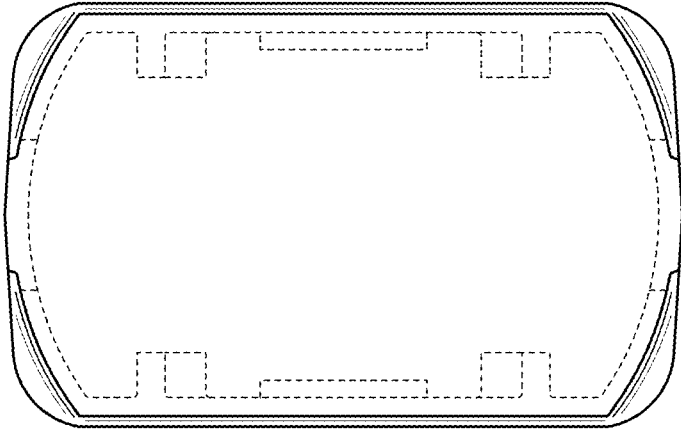


Fig. 13

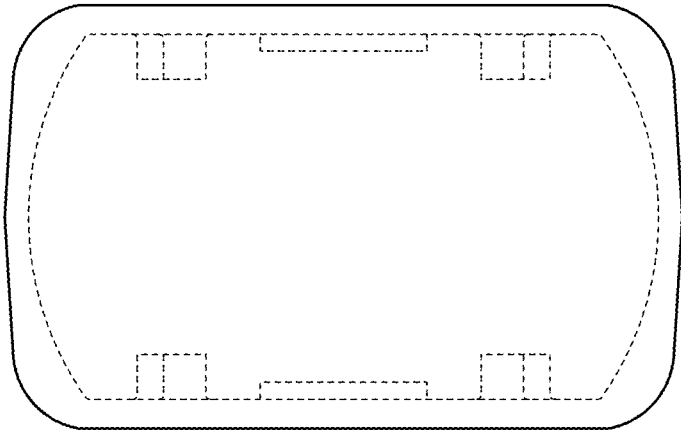


Fig. 14