



- (51) International Patent Classification:
B26B 21/22 (2006.01)
- (21) International Application Number:
PCT/US2015/061749
- (22) International Filing Date:
20 November 2015 (20.11.2015)
- (25) Filing Language: English
- (26) Publication Language: English
- (30) Priority Data:
62/082,653 21 November 2014 (21.11.2014) US
- (71) Applicant: LEAF SHAVE COMPANY LLC [US/US];
10 Midway Road, Pittsburgh, Pennsylvania 15216 (US).
- (72) Inventors: HAHN, Adam, J.; 10 Midway Road, Pitts-
burgh, Pennsylvania 15216 (US). SIMONE, Adam; 2838
Fremont Avenue South, Unit 609, Minneapolis, Minnesota
55408 (US).
- (74) Agents: MEDER, Julie, W. et al.; The Webb Law Firm,
One Gateway Center, 420 Ft. Duquesne Blvd., Suite 1200,
Pittsburgh, Pennsylvania 15222 (US).
- (81) Designated States (*unless otherwise indicated, for every
kind of national protection available*): AE, AG, AL, AM,
AO, AT, AU, AZ, BA, BB, BG, BH, BN, BR, BW, BY,
BZ, CA, CH, CL, CN, CO, CR, CU, CZ, DE, DK, DM,
DO, DZ, EC, EE, EG, ES, FI, GB, GD, GE, GH, GM, GT,
HN, HR, HU, ID, IL, IN, IR, IS, JP, KE, KG, KN, KP, KR,
KZ, LA, LC, LK, LR, LS, LU, LY, MA, MD, ME, MG,
MK, MN, MW, MX, MY, MZ, NA, NG, NI, NO, NZ, OM,
PA, PE, PG, PH, PL, PT, QA, RO, RS, RU, RW, SA, SC,
SD, SE, SG, SK, SL, SM, ST, SV, SY, TH, TJ, TM, TN,
TR, TT, TZ, UA, UG, US, UZ, VC, VN, ZA, ZM, ZW.
- (84) Designated States (*unless otherwise indicated, for every
kind of regional protection available*): ARIPO (BW, GH,
GM, KE, LR, LS, MW, MZ, NA, RW, SD, SL, ST, SZ,
TZ, UG, ZM, ZW), Eurasian (AM, AZ, BY, KG, KZ, RU,
TJ, TM), European (AL, AT, BE, BG, CH, CY, CZ, DE,
DK, EE, ES, FI, FR, GB, GR, HR, HU, IE, IS, IT, LT, LU,
LV, MC, MK, MT, NL, NO, PL, PT, RO, RS, SE, SI, SK,

[Continued on next page]

(54) Title: RAZOR WITH PIVOTING HEAD

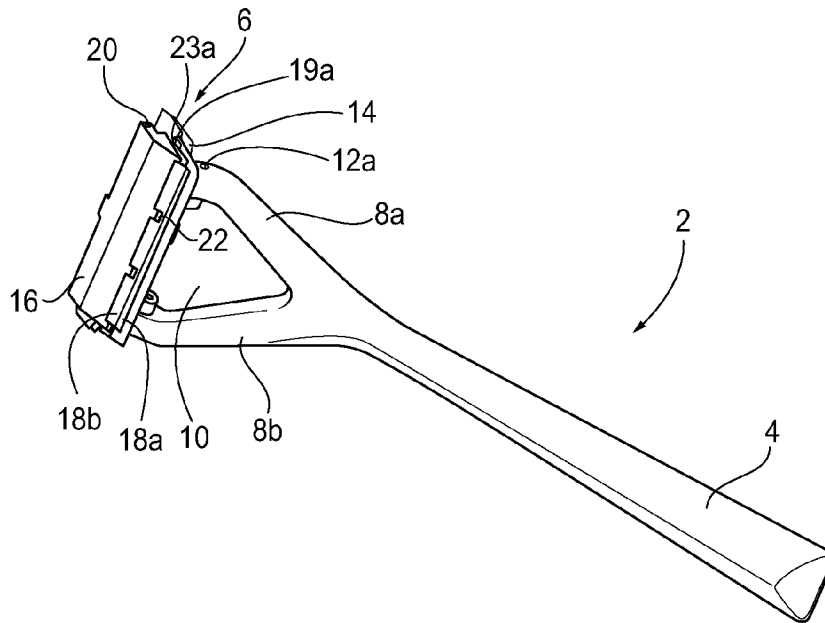


FIG. 2

[Continued on next page]

WO 2016/081795 A1

SM, TR), OAPI (BF, BJ, CF, CG, CI, CM, GA, GN, GQ, GW, KM, ML, MR, NE, SN, TD, TG). **Published:**

— with international search report (Art. 21(3))

(57) Abstract: A shaving razor may include a handle, a head pivotally attached to the handle, the head may include a frame and a cover pivotally attached to the frame, and at least one separation member provided between the frame and the cover of the head. The at least one separation member may be movable relative to the frame and the cover of the head. A shaving razor may include a handle and a head pivotally attached to the handle. The head may be configured to receive at least two independently replaceable razor blades.

RAZOR WITH PIVOTING HEAD

CROSS REFERENCE TO RELATED APPLICATION

[0001] This application claims the benefit of U.S. Provisional Patent Application No. 62/082,653, filed November 21, 2014, the disclosure of which is herein incorporated by reference in its entirety.

BACKGROUND OF THE INVENTION

Field of the Invention

[0002] This disclosure relates generally to razors and, more particularly, to a razor with a pivoting head and replaceable blades.

Description of Related Art

[0003] Razors have become ubiquitous and are used by both men and women for their personal shaving needs. Straight-blade razors, which are made of high carbon or stainless steel, exemplify the early modern popular style of shaving implements. These razors can be used for many shaving sessions over a longer period of time, but must be maintained by regular sharpening or stropping. The process of sharpening, or honing, the blade uses an abrasive material that removes material from the blade's edge. Stropping, which must be done with each use of a straight-blade razor, straightens and re-aligns the blade, which tends to bend and pit under use preventing a close shave if not straightened.

[0004] Double-edged safety razors replaced the straight edge in popularity in the early part of the twentieth century. The disposal of blades after limited use was made popular and economical by the arrival of blades made of low-cost, thin steel, thereby eliminating the need for stropping or honing. The safety feature of these razors, protecting the user from all but the very edge of the blade, appealed to the user. The orientation of the handle and the blade required the user to develop the proper technique to achieve an optimal shave. The next evolution combined the safety of small, thin blades exposed only at the edge with the proper angle-of-attack and a pivoting head to adjust to the contours of the body. The disposable razor embodied the ease and simplicity of shaving, sacrificing longevity of product by providing disposable blades with limited life. This incarnation of men's and women's personal shavers remains the most popular and widely used, contributing a sizeable negative global economic impact.

[0005] While the convenience and ease of use of current disposable razor technology is attractive to users, alternative razors using double-edged blades have continued to evolve. Many of the current safety razors use one double-edged blade and clamp the blade to the head

of the safety razor to hold it rigidly in place. Typically, one blade edge is exposed on each side of the razor head. Many of these safety razors, however, do not include a pivoting head, thereby requiring a user to hold the razor and blade at a specific angle to his/her face to receive a proper shave. This can lead to a tedious process that does not always provide the close shave that one desires.

SUMMARY OF THE INVENTION

[0006] In view of the foregoing, a need exists for a razor including a pivoting head that provides an effective method of replacing the razor blades. A further need exists for a razor that provides multiple cutting edges on one side of the head by using a single double-edged razor blade. A further need exists for a razor including a pivoting head that provides a secure and easily removable cover for holding the double-edged razor blades.

[0007] In accordance with one aspect of the disclosure, a shaving razor may include a handle, a head pivotally attached to the handle, the head may include a frame and a cover pivotally attached to the frame, and at least one razor blade separation member provided between the frame and the cover of the head.

[0008] The at least one separation member may be moveable relative to at least one of the frame and the cover of the head. A releasable locking mechanism may be provided on the head and configured to hold the frame and cover together. The releasable locking mechanism may include a thumbscrew, a shaft extending from the thumbscrew and through the frame, the separation member, and the cover, and a threaded portion provided on an end of the shaft opposite the thumbscrew. The threaded portion may be removably threaded into the cover. The releasable locking mechanism may include a release lever, a retaining member extending from the release lever, and at least one spring member positioned on the retaining member. The at least one spring member may create a biasing force on the locking mechanism to keep the locking mechanism in a locked position until the release lever is actuated. The releasable locking mechanism may include at least one magnet positioned on the cover and at least one magnet positioned on the frame. The at least one magnet on the cover may be configured to create a magnetic connection between the at least one magnet on the frame to hold the cover and the frame together in a locked position. At least one razor blade may be provided in the head. The at least one razor blade may include two razor blades positioned on opposing sides of the separation member. A stepped locking abutment may extend from the frame and may be configured to position the at least two razor blades in a stepped arrangement within the head. The razor blades may be removably provided within the head. A dimension of a first gap

defined between the at least one separation member and the frame may be different from a dimension of a second gap between the at least one separation member and the cover. At least one magnet may be positioned on the at least one separation member. The at least one separation member may include at least one stop member that extends therefrom, and the frame may include at least one stop member that extends therefrom. The stop members may be configured to retain a razor blade on each of the at least one separation member and the frame. The at least one stop member extending from the frame may be positioned closer to a shaving edge of the shaving razor than the at least one stop member extending from the at least one separation member. The frame may include a shaving edge including an extension member. The extension member may define a recessed portion that lifts a user's hair from his/her skin during shaving.

[0009] In accordance with another aspect of the disclosure, a shaving razor may include a handle, and a head pivotally attached to the handle. The head may be configured to receive at least two independently replaceable razor blades.

[0010] Each replaceable razor blade may include a blade body that tapers to at least one razor edge. Each replaceable razor blades may be one half of a full razor blade. At least one separation member may be provided between a frame and a cover of the head, such that the replaceable razor blades are receivable on opposing sides of the separation member. The at least one separation member may include at least one stop member that extends therefrom, and the frame includes at least one stop member that extends therefrom. The stop members may be configured to retain a razor blade on each of the at least one separation member and the frame. The at least one stop member extending from the frame may be positioned closer to a shaving edge of the shaving razor than the at least one stop member extending from the at least one separation member. A dimension of a first gap defined between the at least one separation member and the frame may be different from a dimension of a second gap defined between the at least one separation member and the cover.

[0011] Further details and advantages will be understood from the following detailed description read in conjunction with the accompanying drawings.

BRIEF DESCRIPTION OF THE DRAWINGS

[0012] **FIG. 1** is a top perspective view of a razor in accordance with one aspect of the present disclosure;

[0013] **FIG. 2** is a bottom perspective view of the razor of **FIG. 1**;

[0014] **FIG. 3** is a rear perspective view of the razor of **FIG. 1**;

- [0015] FIG. 4 is a rear perspective view of a head of the razor of FIG. 1;
- [0016] FIG. 5 is a side view of a cover of the razor of FIG. 1, without razor blades, provided in an open position;
- [0017] FIGS. 6-10 are bottom views of the cover of FIG. 3 illustrating a method of replacing razor blades in the razor;
- [0018] FIGS. 11 and 12 are bottom perspective views of a razor in accordance with another aspect of the present disclosure;
- [0019] FIG. 13 is a top perspective view of a head of the razor of FIG. 11;
- [0020] FIG. 14 is a bottom perspective view of the head of the razor of FIG. 11;
- [0021] FIG. 15 is a side view of the head of the razor of FIG. 11;
- [0022] FIG. 16 is a front perspective view of the head of the razor of FIG. 11;
- [0023] FIGS. 17-23 are bottom views of the head of the razor of FIG. 11 illustrating a method of replacing razor blades in the razor;
- [0024] FIGS. 24-27 are cross-sectional views of the head of the razor of FIG. 11 along line A-A illustrating a method of actuating a locking mechanism on the razor;
- [0025] FIGS. 28 and 29 are front perspective views of the head of the razor of FIG. 11 including a magnetic locking mechanism;
- [0026] FIG. 30 is a front perspective view of the head of the razor of FIG. 11 including one razor blade therein;
- [0027] FIG. 31 is a front perspective view of a double-edged razor blade in accordance with an aspect of the present disclosure;
- [0028] FIG. 32 is an illustration of a blade configuration that is used in current razors;
- [0029] FIG. 33 is an illustration of a blade configuration that is used by the razor of FIG. 11;
- [0030] FIG. 34 is a graphical illustration of the aggressiveness of the razor of FIG. 11 based on the number of blades used and the position of the blades in the razor;
- [0031] FIG. 35 is a bottom perspective view of a head of a razor according to another embodiment of the present disclosure;
- [0032] FIG. 36 is a top perspective view of the head of the razor of FIG. 35;
- [0033] FIG. 37 is a bottom perspective view of the head of the razor of FIG. 35 shown in an open position without razor blades;
- [0034] FIG. 38 is a top perspective view of a separation member used in the head of the razor of FIG. 35; and

[0035] FIG. 39 is a top perspective view of another separation member used in the head of the razor of FIG. 35.

DESCRIPTION OF THE DISCLOSURE

[0036] For purposes of the description hereinafter, spatial orientation terms, as used, shall relate to the referenced aspect as it is oriented in the accompanying drawings, figures, or otherwise described in the following detailed description. However, it is to be understood that the aspects described hereinafter may assume many alternative variations and configurations. It is also to be understood that the specific components, devices, features, and operational sequences illustrated in the accompanying drawings, figures, or otherwise described herein are simply exemplary and should not be considered as limiting.

[0037] The present disclosure is directed to, in general, a razor and, in particular, a razor with a pivoting head and replaceable blades. Certain preferred and non-limiting aspects of the components of the razor are illustrated in FIGS. 1-31, 33, and 34.

[0038] With reference to FIGS. 1-4, one aspect of a shaving razor 2 is described. The razor 2 may include a handle 4 and a head 6. In one aspect, the head 6 may be pivotable or rotatable relative to or about the handle 4, as described hereinbelow. The head 6 may have a substantially rectangular shape. In one aspect, the handle 4 may have a substantially triangular cross-sectional shape. However, it is also contemplated that alternative shapes may be used, such as circular, oval, square, or trapezoidal. The handle 4 may include a first extension member 8a and a second extension member 8b. The first and second extension members 8a, 8b may extend from a distal end of the handle 4. The distal end of the handle 4 may be understood to be the end of the handle 4 that is not held by a user during use of the razor 2. The first and second extension members 8a, 8b may define an aperture 10 therebetween. It is also contemplated that the aperture 10 may not be defined by the first and second extension members 8a, 8b, and the handle 4 may be formed as a single monolithic structure. The handle 4 may include different types of surfaces, including small protrusions, bumps, waves, or indentations, to provide a comforting ergonomic feel when held by an individual.

[0039] With reference to FIGS. 3 and 4, the head 6 may be positioned on the distal ends of the first and second extension members 8a, 8b. In one aspect, the head 6 may be attached to the first and second extension members 8a, 8b by pins 12a, 12b. The pins 12a, 12b may be provided in apertures defined in the distal ends of the first and second extension members 8a, 8b and may allow the head 6 to freely rotate and/or pivot about the handle 4. In one aspect, separate pins 12a, 12b may be inserted through each extension member 8a, 8b. In another

aspect, one pin may be inserted through both extension members **8a**, **8b**. By permitting rotation or pivoting of the head **6** relative to the handle **4**, the razor **2** may be configured to set the blade and/or blades at the correct angle when pressure is applied to an individual's face. It is also contemplated that the head **6** may be spring-loaded on the handle **4** so the head **6** is returned to a resting position after being rotated relative to the handle **4**.

[0040] With reference to **FIGS. 1-4**, the head **6** may include a frame **14** and a cover **16**. The frame **14** may be attached to the first and second extension members **8a**, **8b** via the pins **12a**, **12b**. By connecting the frame **14** to the extension members **8a**, **8b** via the pins **12a**, **12b**, the frame **14** may also be rotated and/or pivoted about the handle **4**. The frame **14** and cover **16** may be configured to hold together two blades **18a**, **18b** in the head **6**. It is also contemplated that the frame **14** and cover **16** may hold one blade or more than two blades in the head **6**. In one aspect, the blades **18a**, **18b** may be formed from a double-edged razor blade. An example of such a double-edge razor blade **18a** is shown in **FIG. 31**. As used herein, the "shaving edge" or like terms of the razors of the present invention refers to a leading surface or portion of the head **6**, such that, when in use, the shaving edge is followed by the exposed razor edges **18a'** that contact a user's skin. Typically, double-edged razor blades include two opposing razor edges **18a'** connected by a weak or thin body member **18a''** that defines perimeter profile portions **18a'''** and a profiled cut-out **18a''''**. Razor blade **18a** is shown as a conventional double-edged blade, but this is not meant to be limiting. It should be appreciated that razor edge **18a'** of razor blade **18a** includes an outermost edge for contacting skin with the razor edge **18a'** tapering from the razor body **18a''**. Other embodiments of razor blades (single-edged and double-edged) with various perimeter profiles and/or central cut-out profiles are encompassed within the present invention. Presently, many manufacturers make these types of double-edged razor blades that use a standardized shape to fit in traditional safety razors. In one aspect, the blades **18a**, **18b** of the razor **2** may be this type of double-edged blade. By "weak and thin", it is meant that the blades are typically designed so that an individual can break a double-edged razor blade in half by hand, splitting along a centerline of profile cut-out **18a''''**. By breaking the double-edged razor blades in half, two "half blades" or two halves of the double-edged razor blade are provided. Each half may include one razor edge. It is also to be understood that the "half blades" may be provided in this initial form, without the need for breaking a double-edged razor blade in half. By using the "half blades" in the head **6**, the razor **2** may provide a multi-razor blade configuration for shaving an individual's face. While it is contemplated that any type of double-edged razor blade may be used with the razor **2**, it is also contemplated that

specific “half blades” may be designed and configured to custom fit in the frame 14 and cover 16 of the head 6.

[0041] As shown in FIG. 5, the frame 14 may be connected to the cover 16 via another pin 20. In this configuration, the cover 16 may be rotatable and/or pivotable about the pin 20 and thereby the frame 14. In this aspect, the cover 16 may not be removable from the head 6 so that the cover 16 is not lost or damaged. It is also contemplated, however, that the cover 16 may be fully removable from the head 6. The cover 16 may be configured in at least two positions, including an open position and a closed position. In the open position, the cover 16 may be rotated relative to the frame 14 to allow for the removal and replacement of the blades 18a, 18b in the head 6. In the closed position, the cover 16 may be positioned on top of the frame 14 to retain the blades 18a, 18b in the head 6. A separation member 22 may also be provided in the head 6. The separation member 22 may be configured to separate the blades 18a, 18b from each other in the head 6. In one aspect, the separation member 22 may be positioned between the blades 18a, 18b when the blades 18a, 18b are retained in the head 6. The separation member 22 may be rotatably attached to the pin 20 and positioned within and between the frame 14 and cover 16. The separation member 22 may be rotatable and/or pivotable relative to the frame 14 and cover 16. As shown in FIG. 6, a bottom blade seat 32 may protrude or extend from a top surface of the frame 14. The bottom blade seat 32 may be an integral extension of the frame 14 so that the bottom blade seat 32 is rotatable about the handle 4. It is also contemplated that the bottom blade seat 32 may be a separate component from the frame 14, which is separately rotatable about the handle 4. The bottom blade seat 32 may define at least two angled surfaces 33a, 33b that may be configured to effectively direct water flow through the head 2 during cleaning of the razor 2.

[0042] With reference to FIGS. 1-10, the razor 2 may also include several components to assist in the insertion and retention of the blades 18a, 18b in the head 6. As best shown in FIGS. 6 and 7, at least two stop members 19a, 19b may extend from the frame 14. The stop members 19a, 19b may be configured to permit the bottom blade 18a to rest on the stop members 19a, 19b so the blade 18a cannot slide in a downward direction out of the frame 14. The stop members 19a, 19b may also assist in stopping the blade 18a from moving in a left-right lateral direction. Further, another stop member 19c may be provided on an upper peripheral edge of the frame 14. The stop member 19c may extend from the frame 14 and may define a semi-circular shape. The stop member 19c may be configured to fit within a groove on a top portion of the blade 18a. When the blade 18a is positioned against the stop member 19c, the blade 18a may not move in an upward direction relative to the frame 14. Therefore,

by retaining the blade **18a** within the stop members **19a-19c**, the blade **18a** may be properly aligned in the head **2**.

[0043] As shown in **FIGS. 8 and 9**, the separation member **22** also includes at least two stop members **23a, 23b** to ensure that the top blade **18b** is properly aligned on the separation member **22**. The stop members **23a, 23b** may extend from outer edges of the separation member **22**. The stop members **23a, 23b** may be configured to permit the blade **18b** to rest on the stop members **23a, 23b** so the blade **18b** cannot slide in a downward direction out of the frame **14**. The stop members **23a, 23b** may be positioned upwardly from the stop members **19a, 19b**. The stop members **23a, 23b** may also assist in stopping the blade **18b** from moving in a left-right lateral direction in the frame **14**. The separation member **22** may also include a back edge **23c** that assists in keeping the blade **18b** from moving in an upward direction relative to the frame **14**. Once the blade **18b** has been positioned on the separation member **22**, the blade **18b** may abut the back edge **23c**, thereby retaining the blade **18b** in the head **2**. Therefore, by retaining the blade **18b** between the stop members **23a, 23b** and the back edge **23c**, the blade **18b** may be properly aligned in the head **2**.

[0044] With reference to **FIGS. 1-5**, a locking mechanism **24** for the razor **2** is described. After the blades **18a, 18b** have been provided in the frame **14**, as will be described in more detail hereinbelow, the cover **16** may be rotated and/or pivoted to the closed position to retain the blades **18a, 18b** in the head **6**. After the cover **16** has been moved to the closed position, the locking mechanism **24** may be used to lock and/or tighten the cover **16** to the frame **14** to hold the blades **18a, 18b** therein. In one aspect, the locking mechanism **24** may include a thumbscrew **26**, a shaft **28** extending from the thumbscrew **26**, and a threaded portion **30** provided on one end of the shaft **28**. The threaded portion **30** may be provided on one end of the shaft **28**, while the thumbscrew **26** is provided on an opposing end of the shaft **28**. The thumbscrew **26** may be positioned on a top surface of the frame **14**. In one aspect, the top surface of the frame **14** is understood to be the surface of the frame **14** that is opposite the surface of the frame **14** that holds the blades **18a, 18b**. The thumbscrew **26** may be rotated in one direction to tighten the cover **16** to the frame **14**, and rotated in an opposite direction to loosen the cover **16** from the frame **14**. The shaft **28** may extend from the thumbscrew **26** and through corresponding apertures defined in the frame **14**, the separation member **22**, and the cover **16**. The threaded portion **30** may be threaded into a threaded aperture defined in the cover **16** to hold the thumbscrew **28** in place and assist in retaining the blades **18a, 18b** in the head **6**. As the thumbscrew **28** is tightened, the blades **18a, 18b** are sandwiched in between the frame **14** and the cover **16** with the separation member **22** therebetween. In one aspect, the

thumbscrew **28** may be captive or auto-retained in the head **6** so that the thumbscrew **28** cannot fall out of the head **6** even if the thumbscrew **28** is screwed the entire way out. It is also contemplated that alternative locking mechanisms may be used to retain the blades **18a**, **18b** in the head **6**, including a snap-fit arrangement or a clamping mechanism, among other locking mechanisms that could hold the frame **14** and cover **16** together. In another aspect, a magnetic locking mechanism may be used with the razor **2** to hold the frame **14** and cover **16** to one another. The magnetic locking mechanism is described in greater detail hereinbelow with reference to the razor **100** of **FIG. 11**.

[0045] With reference to **FIGS. 5-10**, a method of using the razor **2** is described in detail. The razor **2** may be configured to allow replacement of the blades **18a**, **18b** after the blades **18a**, **18b** have become dull due to extended use of the razor **2**. It is also contemplated that the blades **18a**, **18b** may be replaced at any desired time by the individual regardless of the wear on the blades **18a**, **18b**. **FIGS. 4-9** illustrate a method of inserting the blades **18a**, **18b** into the head **6** for the first time or replacing the blades **18a**, **18b**. It is also to be understood that this same method may be used to replace old blades with new blades as well. In this method, the old blades must first be removed from the head **6** before the new blades **18a**, **18b** are inserted into the head **6**.

[0046] As shown in **FIG. 6**, the cover **16** and separation member **22** of the head **6** may be positioned in the open position. The cover **16** and the separation member **22** may be rotated relative to the frame **14** to expose an inner portion of the head **6** in which the blades **18a**, **18b** will be inserted. In one aspect, the bottom blade seat **32** is exposed in the head **6**. The bottom blade seat **32** may be provided on the frame **14** of the head **6**. In a second step shown in **FIG. 7**, a first blade **18a** may be positioned on the bottom blade seat **32**. The razor edge of the first blade **18a** may be positioned to extend from the cover **6** to provide a cutting surface for shaving an individual's face or other body part. In one aspect, the first blade **18a** may be a "half blade" created from a full double-edged razor blade, as described above.

[0047] As shown in **FIG. 8**, after the first blade **18a** has been positioned on the bottom blade seat **32**, the separation member **22** may be rotated relative to the frame **14** to sit on or be positioned over the first blade **18a**. After the separation member **22** has been rotated down to a position over the first blade **18a**, a top blade seat **34** may be provided on a top surface of the separation member **22**. The top blade seat **34** may be configured to receive the second blade **18b**. As shown in **FIG. 9**, the second blade **18b** may be positioned on the top blade seat **34**. The razor edge of the second blade **18b** may extend from the head **6** similar to the first blade **18a** to provide a cutting surface for shaving an individual's face or body part. In one aspect,

the second blade **18b** may be the other “half blade” created from the full double-edged razor blade that also provided the first blade **18a**.

[0048] As shown in **FIG. 9**, after the second blade **18b** has been positioned on the top blade seat **34**, the cover **16** may be rotated relative to the frame **14** to place the cover **16** in the closed position. In this closed position, the cover **16** may be positioned over the second blade **18b** to enclose the blades **18a**, **18b** in the head **6**. The thumbscrew **28** may then be rotated in a first direction to provide a clamping or “sandwiching” effect on the blades **18a**, **18b**. The threaded portion **30** of the locking mechanism **24** may rotate into the threaded aperture in the cover **16**, thereby clamping or compressing all of the elements inside of the head **6**. In one aspect, as the threaded portion **30** is inserted further into the threaded aperture of the cover **16**, the tighter the blades **18a**, **18b** and separation member **22** are compressed together. As the blades **18a**, **18b** and the separation member **22** are tightened even further, a secure blade arrangement may be provided in the head **6** so that the blades **18a**, **18b** do not move within the head **6** during shaving.

[0049] In a similar manner, after the thumbscrew **28** has been tightened to a closed position and the cover **6** needs to be opened, the thumbscrew **28** may be rotated in an opposite direction to loosen the clamping force on the blades **18a**, **18b** and the separation member **22**. As the thumbscrew **28** is rotated in the opposite direction, the threaded portion **30** may be withdrawn or removed from the threaded aperture in the cover **16**, thereby loosening the clamping effect on the blades **18a**, **18b** and the separation member **22**. After the thumbscrew **28** is rotated a sufficient amount, the threaded portion **30** is completely removed from the threaded aperture of the cover **16** allowing the cover **16** to once again rotate relative to the frame **14**. Even though the threaded portion **30** may be completely removed from the cover **16**, the thumbscrew may still be retained in the frame **14** so that the thumbscrew **28** does not fall out during operation of the razor **2**. It is to be understood that once the blades **18a**, **18b** become dull or new blades are desired, this process may be reversed to open the cover **16** and replace the old blades **18a**, **18b**. It is also to be understood that this method may be used with just one razor blade that rests on either the bottom blade seat **32** or the top blade seat **34**. It is further contemplated that more than one razor blade may be positioned on each of the bottom and top blade seats **32**, **34**. The number and position of the blades **18a**, **18b** may be provided in different configurations to adjust the aggressiveness of the razor **2**. For example, for individuals with sensitive skin, a razor **2** with one blade **18a** may be used to provide a gentler shave. In contrast, for individuals with thicker hair, the razor **2** may be provided with two blades **18a**, **18b** to provide a more aggressive shave. It is also contemplated that the position of the blades **18a**, **18b** in the head **6** may be altered so a gap between the blade edge and the bottom of the frame **14** may be altered,

as well. This gap affects the aggressiveness of the shave against an individual's skin since it defines how much of the individual's skin is exposed to the blade edge. Therefore, if the individual moves a single blade **18a** to an upper position in the razor head **6**, the gap increases thereby exposing a larger area of the individual's skin to the razor edge between the razor edge and the lower edge of the frame **14**. Likewise, an individual may place the single blade **18a** at an intermediate position in the head **6** to provide a less aggressive shave.

[0050] One advantage of using the razor **2** is the reduced cost of the blades **18a**, **18b** as compared to typical disposable razors. The total cost of new double-edged razor blades is significantly less than the cost of cartridge razors or entire disposable razors. By using the razor **2** with the blades **18a**, **18b**, there is also less waste and no disposal of plastic from the razor **2** in the garbage. The geometry of the razor **2** and the ease of opening the cover **16** of the head **6** allow for easy and effective rinsing and cleaning of the razor **2**. Any hair or debris clogged in the head **6** is easily removed and cleaned.

[0051] With reference to **FIGS. 11-27**, another aspect of a shaving razor **100** is described. The razor **100** may include a handle **102** and a head **104**. In one aspect, the head **104** may be pivotable or rotatable relative to or about the handle **102**, as described hereinbelow. The head **104** may have a substantially rectangular shape. In one aspect, the handle **102** may have a substantially triangular cross-sectional shape. However, it is also contemplated that alternative shapes may be used, such as circular, oval, square, or trapezoidal. The handle **102** may include a first extension member **106a** and a second extension member **106b**. The first and second extension members **106a**, **106b** may extend from a distal end of the handle **102**. The distal end of the handle **102** may be understood to be the end of the handle **102** that is not held by a user during use of the razor **100**. The first and second extension members **106a**, **106b** may define an aperture **108** therebetween. It is also contemplated that the aperture **108** may not be defined by the first and second extension members **106a**, **106b** and, instead, the handle **102** may be formed as a single, monolithic structure. The handle **102** may include a plurality of grooves **110** on an outer surface of the handle **102**. The grooves **110** are configured to assist a user in holding the razor **100** so as not to drop or fumble the razor **100** during use. In one aspect, the grooves **110** may be square or rectangular in shape. It is also contemplated that additional or alternative shapes may be used for the grooves **110**. It is also contemplated that the grooves **110** may be replaced or used with protrusions or bumps (not shown) on the handle **102**. The handle **2** may also include different textured surfaces, as well, such as a knurled surface or a rubber coating to provide a better grip for the individual using the razor **2**.

[0052] With reference to FIGS. 11, 13, and 15, the head 104 may be positioned on the distal ends of the first and second extension members 106a, 106b. In one aspect, the head 104 may be rotatably attached to the first and second extension members 106a, 106b by pins 112a, 112b. The pins 112a, 112b may be provided in apertures defined in the distal ends of the first and second extension members 106a, 106b and may allow the head 104 to freely rotate and/or pivot about the handle 102. In one aspect, separate pins 112a, 112b may be inserted through each respective extension member 106a, 106b. In another aspect, one pin may be inserted through both extension members 106a, 106b. By permitting rotation or pivoting of the head 104 relative to the handle 102, the razor 100 may be configured to set the blade and/or blades at a correct angle when pressure is applied to an individual's face or body. It is also contemplated that the head 104 may be spring-loaded on the handle 102 so the head 104 is returned to a resting position after being rotated relative to the handle 102.

[0053] With reference to FIGS. 11-16, the head 104 may include a frame 114 and a cover 116. The frame 114 may be attached to the first and second extension members 106a, 106b via the pins 112a, 112b. By connecting the frame 114 to the extension members 106a, 106b via the pins 112a, 112b, the frame 114 may also be rotated and/or pivoted about the handle 102. The frame 114 and cover 116 may be configured to hold together at least three blades 118a, 118b, 118c in the head 104. It is also contemplated that the frame 114 and cover 116 may hold one blade, two blades, or more than three blades in the head 104. In one aspect, the blades 118a, 118b, 118c may be formed from a double-edged razor blade. Typically, double-edged razor blades include two opposing razor edges connected by a weak or thin body member. The blades are typically designed so that an individual can break each double-edged razor blade in half by hand. By breaking the double-edged razor blades in half, two "half blades" or two halves of the double-edged razor blade are provided. Each half may include one razor edge. It is also to be understood that the "half blades" may be provided in this initial form, without the need for breaking a double-edged razor blade in half. By using the "half blades" in the head 104, the razor 100 may provide a multi-razor blade configuration for shaving an individual's face. While it is contemplated that any type of double-edged razor blade may be used with the razor 100, it is also contemplated that specific "half blades" may be designed and configured to custom fit in the frame 114 and cover 116 of the head 104. As shown in FIGS. 24-27, the blades 118a, 118b, 118c may be arranged in a stepped arrangement within the head 104.

[0054] As shown in FIGS. 13 and 15, the frame 114 may be rotatably connected to the cover 116 via pins 120a, 120b. In this configuration, the cover 116 may be rotatable and/or pivotable about the pins 120a, 120b and thereby the frame 114. It is also contemplated that a single pin

may be used to rotatably connect the frame **114** to the cover **116**. In this aspect, the cover **116** may not be removable from the head **104** so that the cover **116** is not lost or damaged. It is also contemplated, however, that the cover **116** may be fully removable from the head **104**. The cover **116** may be configured in at least two positions, including an open position and a closed position. In the open position, the cover **116** may be rotated relative to the frame **114** to allow for the removal and replacement of the blades **118a**, **118b**, **118c** in the head **104**. In the closed position, the cover **116** may be positioned on top of the frame **114** to retain the blades **118a**, **118b**, **118c** in the head **104**.

[0055] At least two separation members **122a**, **122b** may also be provided in the head **104**. The separation members **122a**, **122b** may be configured to separate the blades **118a**, **118b**, **118c** from each other in the head **104**. In one aspect, the separation members **122a**, **122b** may be positioned between the blades **118a**, **118b**, **118c** when the blades **118a**, **118b**, **118c** are retained in the head **104**. One separation member **122a** may be positioned between two blades **118a**, **118b**, and another separation member **122b** may be positioned between two blades **118b**, **118c**. The separation members **122a**, **122b** may be rotatably attached to the corresponding pins **120a**, **120b**, respectively, and positioned within and between the frame **114** and cover **116**. The separation members **122a**, **122b** may be rotatable and/or pivotable relative to the frame **114** and cover **116**. As shown in **FIG. 30**, it is also contemplated that the razor **100** may include one blade **118a** positioned between the frame **114** and the cover **116**. In this aspect, the cover **116** may be rotatably connected to the frame **114**. The blade **118a** may be configured to rest on a stop member **113a**, which is described in greater detail hereinbelow.

[0056] The separation members **122a**, **122b** of this aspect of the razor **100** may utilize minimal material as compared to the separation member **22** of the razor **2** shown in **FIGS. 1-10**, so as to assist in the cleaning and maintenance of the razor **100**. It is also contemplated that additional extension members or portions may be provided with the separation members **122a**, **122b** to provide additional support for the blades **118a**, **118b**. The additional extension members include portions that extend from the separation members **122a**, **122b** or additional material used on the body of the separation members **122a**, **122b**. Instead of the separation members **122a**, **122b** substantially covering the blades **118a**, **118b**, **118c** as with the separation member **22** of the razor **2** shown in **FIGS. 1-10**, the separation members **122a**, **122b** define several openings or spaces to allow water to flow through the head **104** of the razor **100**. As shown in **FIG. 19**, water may flow through and rinse the separation member **122a** and the blade **118a** through fluid openings **134a-f** defined between the separation member **122a** and the blade **118a**. Similarly, as shown in **FIG. 21**, water may also flow through and rinse the other

separation member **122b** and another blade **118b** through fluid openings **136a-d** defined between the separation member **122b** and the blade **118b**. As shown in **FIG. 17**, a bottom blade seat **124** may protrude or extend from a top surface of the frame **114**. The bottom blade seat **124** may be an integral extension of the frame **14** so that the bottom blade seat **124** is rotatable about the handle **102**. It is also contemplated that the bottom blade seat **124** is a separate member that is rotatably connected to the handle **102** via the pins **120a, 120b**. The bottom blade seat **124** may also define at least two angled edges **127a, 127b** that assist in directing the water flow through head **104** of the razor **100** during washing of the razor **100**.

[0057] Similar to the frame **14** in **FIGS. 1-10**, the frame **114** may include stop members **113a, 113b** to assist in retaining the blade **118a** in the head **2**. Similarly, the separation member **122a** may include stop members **123a, 123b** to assist in retaining the blade **118b** in the head **2**. The separation member **122b** may include stop members **123c, 123d** to assist in retaining the blade **118c** in the head **2**. The stop members **123a-123d** of the separation members **122a, 122b** may be positioned above the stop members **113a, 113b** of the frame **114** so, as the blades **118a-118c** sit on the stop members **113a, 113b, 123a-123d**, the blades **118a-118c** may be arranged in a staggered, stepped arrangement.

[0058] As shown in **FIGS. 15** and **24-27**, the frame **114** may also include a stepped locking abutment **125** that the blades **118a-118c** may abut when inserted into the head **104** of the razor **100**. The locking abutment **125** may be configured to stop the blades **118a-118c** from moving in an upward direction relative to the frame **114**. The locking abutment **125** may include at least three steps corresponding to the blades **118a-118c** in the head **104**. It is contemplated that the locking abutment **125** may include an equal number of steps as blades in the head **104**. As shown in **FIGS. 24-27**, a portion of each blade **118a-118c** may rest on a corresponding step of the locking abutment **125**.

[0059] With reference to **FIGS. 12-15** and **24-27**, a locking mechanism **126** for the razor **100** is described. After the blades **118a, 118b, 118c** have been provided in the frame **114**, as will be described in more detail hereinbelow, the cover **116** may be rotated and/or pivoted to the closed position to retain the blades **118a, 118b, 118c** in the head **104**. After the cover **116** has been moved to the closed position, the locking mechanism **126** may be used to lock and/or tighten the cover **116** to the frame **114** to hold the blades **118a, 118b, 118c** therein. In one aspect, the locking mechanism **126** may include a release lever **128**, a retaining member **130** extending from the release lever **128**, and at least two spring members **132a, 132b** provided on the retaining member **130**. The release lever **128** may be rotatable and/or pivotable about the cover **116**. The release lever **128** may be actuated by an individual to rotate the release lever

128 relative to the cover **116**. As shown in **FIG. 24**, in a closed or locked positioned, the release lever **128** holds the retaining member **130** against the cover **116**. In one aspect, the release lever **128** may hold the retaining member **130** against a portion of the frame **114** at point **A** (**FIGS. 24-27**) to effect a clamping effect on the frame **114** via the cover **116**. The portion of the frame **114** located at point **A** includes an inclined surface that assists in keeping the retaining member **130** in a locked position, thereby keeping the cover **116** in a locked position. When in the closed or locked position, the locking mechanism **126** prevents the cover **116** from rotating relative to the frame **114**. Upon the blades **118a**, **118b**, **118c** becoming dull or needing replacement, the locking mechanism **126** may be actuated to allow the cover **116** to rotate relative to the frame **114**, thereby exposing the blades **118a**, **118b**, **118c** in the head **104**. As shown in **FIG. 25**, to actuate the locking mechanism **126** an individual may press downwards on the release lever **128** to release the retaining member **130** from a resting position. The retaining member **130** is rotated relative to the frame **114** to release the holding force on the cover **116**, thereby allowing the cover **116** to rotate. As shown in **FIGS. 26** and **27**, the cover **116** may be opened to allow the individual to remove the dull blades **118a**, **118b**, **118c** and replace them with new blades, as will be described in further detail below. As the release lever **128** is pushed downwards, a biasing force is created by the spring members **132a**, **132b**. In one aspect, the spring members **132a**, **132b** may be leaf springs. As the cover **116** is rotated further from the frame **114**, the spring members **132a**, **132b** create a larger biasing force. In one aspect, the biasing force is configured to restore the locking mechanism **126** to a resting position after the individual releases pressure on the release lever **128**. In one aspect, this resting position may correspond to the locking position of the locking mechanism **126**. It is also contemplated that alternative locking mechanisms may be used to retain the blades **118a**, **118b**, **118c** in the head **104**, including a snap-fit arrangement or a clamping mechanism, among other locking mechanisms that could hold the frame **114** and cover **116** together.

[0060] As shown in **FIGS. 28** and **29**, it is also contemplated that a magnetic locking mechanism may also be used with the razor **100** to create a clamping effect between the frame **114** and the cover **116**. The magnetic locking mechanism may include at least one magnet **138c**, **138d** provided on or in the frame **114** and a corresponding at least one magnet **138a**, **138b** provided on or in the cover **116**. By creating a magnetic force between the magnets **138a-d**, the frame **114** and cover **116** may be clamped together. The cover **116** may be opened by applying a sufficient force to overcome the magnetic connection between the magnets **138a-d**, thereby exposing the blades **118a**, **118b**, **118c** in the head **104** and allowing an individual to replace the blades **118a**, **118b**, **118c** in the razor **100**, as will be described hereinbelow. It is

also contemplated that the bottom blade seat **124** may include at least one magnet **138e**, **138f** to assist in the placement of the bottom blade **118a** in the razor **100**. The blade **118a** may be slightly magnetic so the blade **118a** may be magnetically connected to the bottom blade seat **124** but may also slide within the frame **114** until the blade **118a** is properly positioned. The magnetic bottom blade seat **124** may assist in retaining the blade **118a** against the frame **114** until the blade **118a** is properly positioned. It is also contemplated that magnets **138g-i** may be provided on the separation members **122a**, **122b** to assist in clamping the frame **114** to the cover **116**, and to assist in retaining the blades **118a**, **118b**, **118c**, which may be slightly magnetic, against the separation members **122a**, **122b**. It is to be understood that any number of magnets may be used with the razor **100** to effect a desired clamping force on the head **104**. It is also to be understood that the magnets may also be used with the razor **2** shown in **FIG. 1**. In one aspect, the magnets **138a-i** may be cylindrical in shape to fit within cylindrical recesses in the head **104**. However, the magnets **138a-i** may be of any size or shape. It is also contemplated that the magnets **138a-i** may be positioned at different locations on the frame **114**, cover **116**, bottom blade seat **124**, and separation members **122a**, **122b**. The blades **118a-c** may be made from a stainless steel type of material. In one aspect, the blades **118a-c** may be inherently magnetic and used to clamp the blades **118a-c** to the frame **114**, separation members **122a**, **122b**, and the cover **116** (which may be made of a magnetic stainless steel type of material), thereby eliminating the need to place magnets on the frame **114** or cover **116**.

[0061] With reference to **FIGS. 17-23**, a method of using the razor **100** is described in detail. The razor **100** may be configured to allow replacement of the blades **118a**, **118b**, **118c** after the blades **118a**, **118b**, **118c** have become dull due to extended use of the razor **100**. It is also contemplated that the blades **118a**, **118b**, **118c** may be replaced at any desired time by the individual regardless of the wear on the blades **118a**, **118b**, **118c**. **FIGS. 17-23** illustrate a method of inserting the blades **118a**, **118b**, **118c** into the head **104** for the first time or replacing the blades **118a**, **118b**, **118c**. It is also to be understood that this same method may be used to replace old blades with new blades, as well. In this method, the old blades must first be removed from the head **104** before the new blades **118a**, **118b**, **118c** are inserted into the head **104**.

[0062] As shown in **FIG. 17**, the cover **116** and a separation member **122a** of the head **104** may be positioned in the open position. The cover **116** and the separation member **122a** may be rotated relative to the frame **114** to expose an inner portion of the head **104** in which the blades **118a**, **118b**, **118c** will be inserted. In one aspect, the bottom blade seat **124** is exposed in the head **104**. The bottom blade seat **124** may be provided on the frame **114** of the head **104**. In a second step shown in **FIG. 18**, a first blade **118a** may be positioned on the bottom blade

seat **124**. The razor edge of the first blade **118a** may be positioned to extend from the cover **104** to provide a cutting surface for shaving an individual's face or other body part. In one aspect, the first blade **118a** may be a "half blade" created from a full double-edged razor blade, as described above.

[0063] As shown in **FIG. 19**, after the first blade **118a** has been positioned on the bottom blade seat **124**, the separation member **122a** may be rotated relative to the frame **114** to sit on or be positioned over the first blade **118a**. As shown in **FIG. 20**, the second blade **118b** may be positioned on a top surface of the separation member **122a**. The razor edge of the second blade **118b** may extend from the head **104** similar to the first blade **118a** to provide a cutting surface for shaving an individual's face or body part. In one aspect, the second blade **118b** may be the other "half blade" created from the full double-edged razor blade that also provided the first blade **118a**. As shown in **FIG. 21**, the other separation member **122b** may be rotated downwards to rest on top of the second blade **118b**. Subsequently, as shown in **FIG. 22**, the third blade **118c** may be placed on a top surface of the separation member **122b**.

[0064] After all of the blades **118a**, **118b**, **118c** have been inserted in the head **104**, the cover **116** may be rotated relative to the frame **114** to close the head **104** of the razor **100**. As the cover **116** is rotated, the locking mechanism **126** is snapped into place. In this step of the method, the retaining member **130** is held against the top blade **118c** of the head **104** to compress or clamp the blades **118a**, **118b**, **118c** and the separation members **122a**, **122b** between the cover **116** and the frame **114**. Since the locking mechanism **126** is spring-loaded into the locked position, the locking mechanism **126** clamps the cover **116** to the frame **114** until an individual actuates the release lever **128** to open the cover **116** as described hereinabove.

[0065] As described with reference to **FIGS. 32-34**, the aggressiveness of the razor **100** may be adjusted according to the preferences of the user. The aggressiveness of a razor is understood to be the configuration of how the blade is positioned relative to the geometry of the razor, which affects how the blade interacts and contacts the user's skin. Current razor blade configurations provided in current razors (shown schematically in **FIG. 32**) do not allow for adjustment of the aggressiveness of the razor. Typically, a blade guard is provided in front of the blade in the shave direction of the razor. A gap is formed between the blade guard and the blade, which affects the exposure of the blade to the user's skin. The exposure of the blade is understood to be the distance the blade protrudes into the shave surface or user's skin. When the blade exposure is high, the aggressiveness of the razor is high, which gives the user a closer shave. When the blade exposure is low, the aggressiveness of the razor is also low and the

shaving process is safer but the shave is not as close to the user's skin. Therefore, the aggressiveness of the razor is determined by the exposure of the blade and the gap between the blade and the blade guard. A razor with a smaller the gap and less exposure of the blade is considered to provide a less aggressive shave. With a low aggressiveness, the razor is less effective at cutting longer hair but there may be reduced irritation against the grain when shaving and there is a lower chance of cutting the user's skin during shaving as compared to more aggressive razors. Razors with a large gap and greater exposure of the blade exhibit higher aggressiveness of shaving. With high aggressiveness, the razor can cut longer hair, however, more irritation can be experienced against the grain when shaving and the chance of cutting the user's skin during shaving is greater.

[0066] With reference to FIGS. 33 and 34, the aggressiveness of the razor 100 described herein may be adjusted by the user according to his/her skin condition and/or preferences for shaving. The razor 100 provides at least three different blade positions for the user to choose from to adjust the aggressiveness of the razor 100. Depending on the number of blades and the position of the blades within the razor 100, the user can customize a preference level of aggressiveness. As schematically shown in FIG. 33, at the first blade position, the first blade 118a is positioned away from the frame 114 (also considered a first blade guard for this discussion). In the first blade position, a maximum exposure of the blade 118a and a maximum gap are provided between the first blade 118a and the first blade guard. In the second blade position, the second blade 118b (also considered a second blade guard for this discussion) is positioned closer to the first separation member 122a than the first blade 118a is positioned relative to the frame 114. Therefore, in the second blade position, a medium or intermediate exposure of the blade 118b and a medium or intermediate gap are provided between the second blade 118b and the second blade guard. In the third blade position, the third blade 118c is positioned proximate the second separation member 122b (also considered a third blade guard for this discussion), which is closer than the first blade 118a and second blade 118b are positioned relative to the frame 114 and the first separation member 122a, respectively. Therefore, in the third blade position, a minimum or low exposure of the blade 118c and a minimum or low gap are provided between the second blade 118c and the third blade guard.

[0067] By providing this blade aggressiveness adjustment feature on the razor 100, the user may configure the razor 100 to his/her specific preferences. With reference to FIG. 34, the aggressiveness of the razor 100 may be adjusted based on the number and position of the blades 118a-118c in the razor 100. For a high aggressiveness, all three blades 118a-118c may be used in the razor 100. For an intermediate aggressiveness of the razor 100, two blades may be used

in the razor **100**. For example, the first and second blades **118a**, **118b** may be provided in the razor **100** or the second and third blades **118b**, **118c** may be provided in the razor **100**. For a low aggressiveness of the razor **100**, only one of the blades **118a**, **118b**, or **118c** may be provided in the razor **100**. It is also to be understood that the aggressiveness of the razor **2** illustrated in **FIGS. 1-10** may also be adjusted in a similar manner as described above.

[0068] With reference to **FIGS. 35-39**, another aspect of the razor head **200** is described. This aspect of the razor head **200** is configured and operates in substantially the same way as the razor heads **6**, **104** described above but with several differences that are described below. In this aspect, the cover **202** is configured to cover each razor blade that is used in the razor head **200**. The cover **202** is wider (as measured along the longest dimension of the cover **202**) than the razor blades used in the razor head **200** so that the razor blades are fully enclosed within the razor head **200** and not exposed to the user, as compared to the razor blades **18a**, **18b**, **118a-118c** of the razors **2**, **100** that may extend outside of the respective covers **16**, **116**. Another feature of this aspect of the razor head **200** is the shaving edge includes an extension member **204**. The extension member **204** defines a recessed portion **206** that provides a surface on the razor head **200** that pulls the user's hair up and away from the user's face or body part prior to the razor blades cutting the user's hair. By raising the user's hair up and away from the user's skin surface, the razor blades cut closer to the user's skin to provide a smoother shave for the individual. As shown in **FIG. 35**, the recessed portion **206** may extend across substantially the entire width of the extension member **204**. In another aspect, the recessed portion **206** may only extend across a portion of the extension member **204**. In another aspect, several recessed portions **206** may be spaced out across the width of the extension member **204**. This aspect of the razor head **200** also includes elongated stop members **208a-208c** to provide a protection structure which may cover the corners of the razor blades. Elongated stop members **208a-208c** protect the corners of the razor blades within the razor head **200**, which keeps the corners from scratching or cutting the user.

[0069] As shown in **FIG. 36**, this aspect of the razor head **200** utilizes a thumbscrew **210** to create a clamping force on the cover **202** to hold the razor blades within the razor head **200**. The thumbscrew **210** is positioned and operates in the same manner as the thumbscrew **26** described above. In this aspect of the razor head **200**, however, the threaded portion **218** of the thumbscrew **210** is threaded along the entire length of the thumbscrew **210** (shown in **FIG. 37**). As shown in **FIGS. 37-39**, this aspect of the razor head **200** also includes another type of separation member **212**, **214**. The separation members **212**, **214** are positioned and operate in the same manner as the separation members **122a**, **122b** of the razor **100** described above. The

separation members **212, 214** further reduce the quantity of material used to separate the razor blades in the razor head **200** so water can more efficiently flow through the razor head **200** during cleaning of the razor head **200**. A frame **216** and the separation members **212, 214** may each include a pair of stop members **220a-220f** to assist in retaining the razor blades **18a** in the razor head **200**. The profiled perimeters **18a'''** of razor blade **18a** may abut the stop members **220a-220f** to prevent the razor blades **18a** from moving side to side along the longest dimension of the razor head **200** and forward and back in the razor head **200**. Therefore, the razor blades are prevent from moving forwards and backwards within the razor head **200** and are prevent from moving left and right within the razor head **200**. Similar to the separation members **122a, 122b** of the razor **100**, magnets **222a, 222b** may be provided on the separation members **212, 214** to assist in retaining the razor blades within the razor head **200**.

[0070] A summary of the disclosure is provided in the following clauses.

[0071] Clause a: A shaving razor, comprising a handle, a head pivotally attached to the handle, the head including a frame and a cover pivotally attached to the frame, and at least one razor blade separation member provided between the frame and the cover of the head.

[0072] Clause b: The shaving razor of clause a, wherein the at least one separation member is movable relative to at least one of the frame and the cover of the head.

[0073] Clause c: The shaving razor of clause a or b, further comprising a releasable locking mechanism provided on the head and configured to hold the frame and cover together.

[0074] Clause d: The shaving razor of any of clause c, the releasable locking mechanism comprising a thumbscrew, a shaft extending from the thumbscrew and through the frame, the separation member, and the cover, and a threaded portion provided on an end of the shaft opposite the thumbscrew, wherein the threaded portion is removably threaded into the cover.

[0075] Clause e: The shaving razor of clause c, the releasable locking mechanism comprising a release lever, a retaining member extending from the release lever, and at least one spring member positioned on the retaining member, wherein the at least one spring member creates a biasing force on the locking mechanism to keep the locking mechanism in a locked position until the release lever is actuated.

[0076] Clause f: The shaving razor of clause c, the releasable locking mechanism comprising at least one magnet positioned on the cover, and at least one magnet positioned on the frame, where the at least one magnet on the cover is configured to create a magnetic connection between the at least one magnet on the frame to hold the cover and the frame together in a locked position.

[0077] Clause g: The shaving razor of any of clauses a-f, further comprising at least one razor blade provided in the head.

[0078] Clause h: The shaving razor of clause g, wherein the at least one razor blade comprises at least two razor blades positioned on opposing sides of the separation member.

[0079] Clause i: The shaving razor of clause h, wherein a stepped locking abutment extends from the frame and is configured to position the at least two razor blades in a stepped arrangement within the head.

[0080] Clause j: The shaving razor of clause h or i, wherein the razor blades are removably provided within the head.

[0081] Clause k: The shaving razor of any of clauses a-j, wherein a dimension of a first gap defined between the at least one separation member and the frame is different from a dimension of a second gap defined between the at least one separation member and the cover.

[0082] Clause l: The shaving razor of any of clauses a-k, wherein at least one magnet is positioned on the at least one separation member.

[0083] Clause m: The shaving razor of any of clauses a-l, wherein the at least one separation member includes at least one stop member that extends therefrom, and the frame includes at least one stop member that extends therefrom, the stop members being configured to retain a razor blade on each of the at least one separation member and the frame.

[0084] Clause n: The shaving razor of clause m, wherein the at least one stop member extending from the frame is positioned closer to a shaving edge of the shaving razor than the at least one stop member extending from the at least one separation member.

[0085] Clause o: The shaving razor of any of clauses a-n, wherein the frame includes a shaving edge comprising an extension member, the extension member defining a recessed portion that lifts a user's hair from his/her skin during shaving.

[0086] Clause p: A shaving razor, comprising a handle and a head pivotally attached to the handle, wherein the head is configured to receive at least two independently replaceable razor blades.

[0087] Clause q: The shaving razor of clause p, wherein each replaceable razor blade comprises a blade body that tapers to at least one razor edge.

[0088] Clause r: The shaving razor of clause p or q, further comprising at least one separation member provided between a frame and a cover of the head, such that the replaceable razor blades are receivable on opposing sides of the separation member.

[0089] Clause s: The shaving razor of clause r, wherein the at least one separation member includes at least one stop member that extends therefrom, and the frame includes at least one

stop member that extends therefrom, wherein the stop members are configured to retain a razor blade on each of the at least one separation member and the frame, and wherein the at least one stop member extending from the frame is positioned closer to a shaving edge of the shaving razor than the at least one stop member extending from the at least one separation member.

[0090] Clause t: The shaving razor of clause r or s, wherein a dimension of a first gap defined between the at least one separation member and the frame is different from a dimension of a second gap defined between the at least one separation member and the cover.

[0091] While aspects of a razor are shown in the accompanying figures and described hereinabove in detail, other aspects will be apparent to, and readily made by, those skilled in the art without departing from the scope and spirit of the invention. Accordingly, the foregoing description is intended to be illustrative rather than restrictive. The invention described hereinabove is defined by the appended claims and all changes to the invention that fall within the meaning and the range of equivalency of the claims are to be embraced within their scope.

THE INVENTION CLAIMED IS:

1. A shaving razor, comprising:
 - a handle;
 - a head pivotally attached to the handle, the head including a frame and a cover pivotally attached to the frame; and
 - at least one razor blade separation member provided between the frame and the cover of the head.
2. The shaving razor as claimed in claim 1, wherein the at least one separation member is movable relative to at least one of the frame and the cover of the head.
3. The shaving razor as claimed in claim 1, further comprising a releasable locking mechanism provided on the head and configured to hold the frame and cover together.
4. The shaving razor as claimed in claim 3, the releasable locking mechanism comprising:
 - a thumbscrew;
 - a shaft extending from the thumbscrew and through the frame, the separation member, and the cover; and
 - a threaded portion provided on an end of the shaft opposite the thumbscrew, wherein the threaded portion is removably threaded into the cover.
5. The shaving razor as claimed in claim 3, the releasable locking mechanism comprising:
 - a release lever;
 - a retaining member extending from the release lever; and
 - at least one spring member positioned on the retaining member;wherein the at least one spring member creates a biasing force on the locking mechanism to keep the locking mechanism in a locked position until the release lever is actuated.
6. The shaving razor as claimed in claim 3, the releasable locking mechanism comprising:

at least one magnet positioned on the cover; and
at least one magnet positioned on the frame,
wherein the at least one magnet on the cover is configured to create a magnetic connection between the at least one magnet on the frame to hold the cover and the frame together in a locked position.

7. The shaving razor as claimed in claim 1, further comprising at least one razor blade provided in the head.

8. The shaving razor as claimed in claim 7, wherein the at least one razor blade comprises at least two razor blades positioned on opposing sides of the separation member.

9. The shaving razor as claimed in claim 8, wherein a stepped locking abutment extends from the frame and is configured to position the at least two razor blades in a stepped arrangement within the head.

10. The shaving razor as claimed in claim 8, wherein the razor blades are removably provided within the head.

11. The shaving razor as claimed in claim 1, wherein a dimension of a first gap defined between the at least one separation member and the frame is different from a dimension of a second gap defined between the at least one separation member and the cover.

12. The shaving razor as claimed in claim 1, wherein at least one magnet is positioned on the at least one separation member.

13. The shaving razor as claimed in claim 1, wherein the at least one separation member includes at least one stop member that extends therefrom, and the frame includes at least one stop member that extends therefrom, the stop members being configured to retain a razor blade on each of the at least one separation member and the frame.

14. The shaving razor as claimed in claim 13, wherein the at least one stop member extending from the frame is positioned closer to a shaving edge of the shaving razor than the at least one stop member extending from the at least one separation member.

15. The shaving razor as claimed in claim 1, wherein the frame includes a shaving edge comprising an extension member, the extension member defining a recessed portion that lifts a user's hair from his/her skin during shaving.

16. A shaving razor, comprising:
a handle; and
a head pivotally attached to the handle;
wherein the head is configured to receive at least two independently replaceable razor blades.

17. The shaving razor as claimed in claim 16, wherein each replaceable razor blade comprises a blade body that tapers to at least one razor edge.

18. The shaving razor as claimed in claim 16, further comprising at least one separation member provided between a frame and a cover of the head, such that the replaceable razor blades are receivable on opposing sides of the separation member.

19. The shaving razor as claimed in claim 18, wherein the at least one separation member includes at least one stop member that extends therefrom, and the frame includes at least one stop member that extends therefrom,

wherein the stop members are configured to retain a razor blade on each of the at least one separation member and the frame, and

wherein the at least one stop member extending from the frame is positioned closer to a shaving edge of the shaving razor than the at least one stop member extending from the at least one separation member.

20. The shaving razor as claimed in claim 18, wherein a dimension of a first gap defined between the at least one separation member and the frame is different from a dimension of a second gap defined between the at least one separation member and the cover.

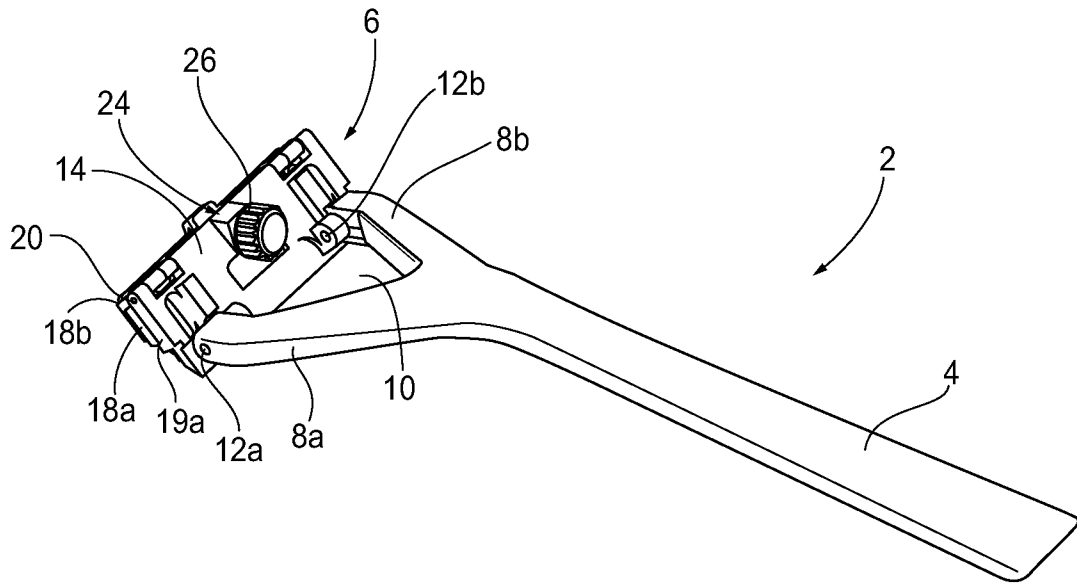


FIG. 1

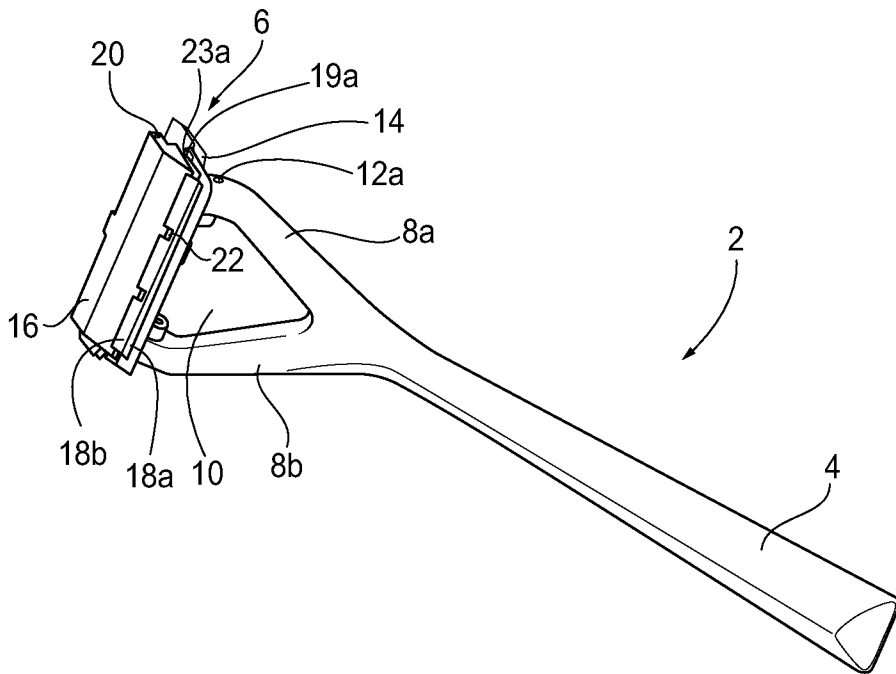


FIG. 2

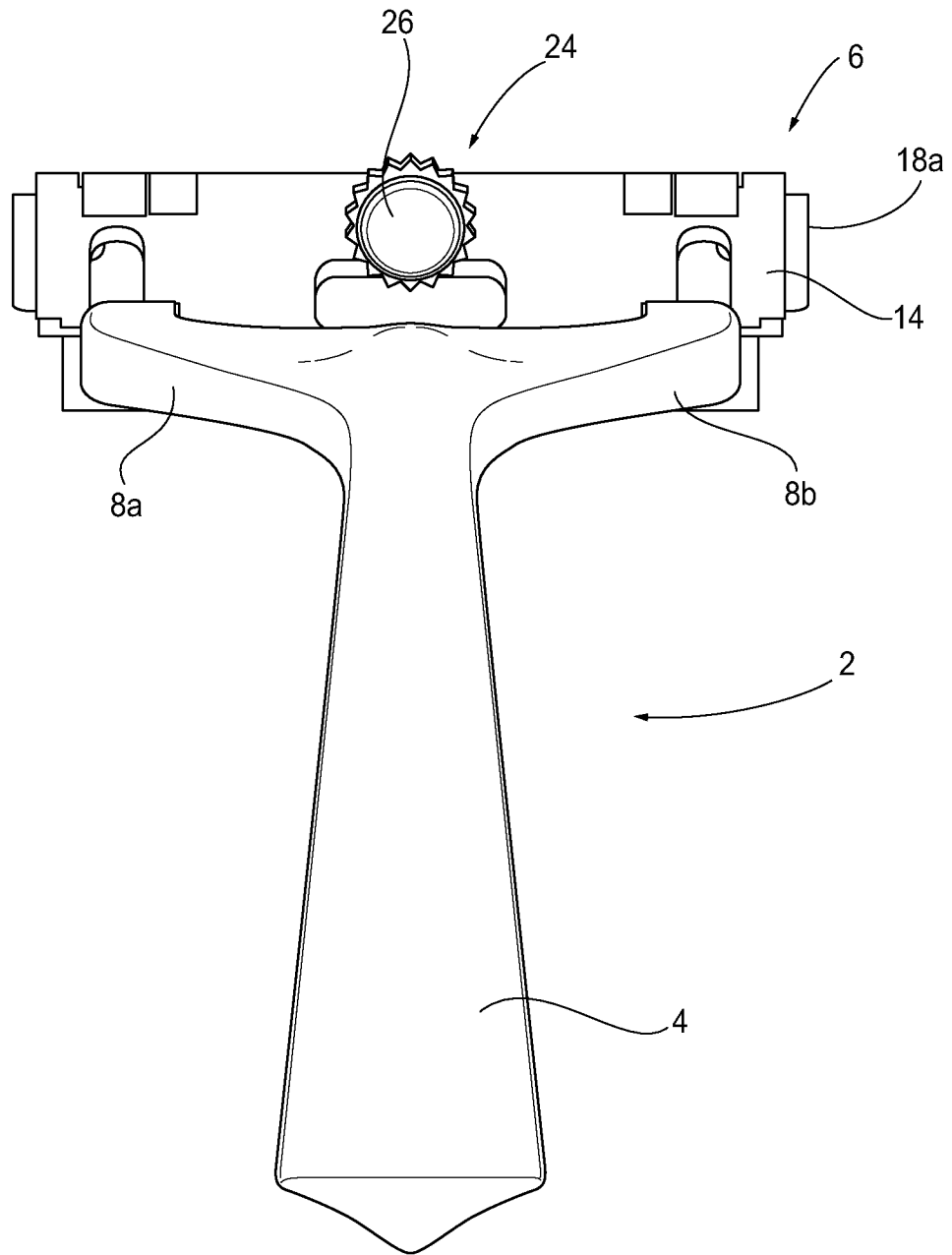


FIG. 3

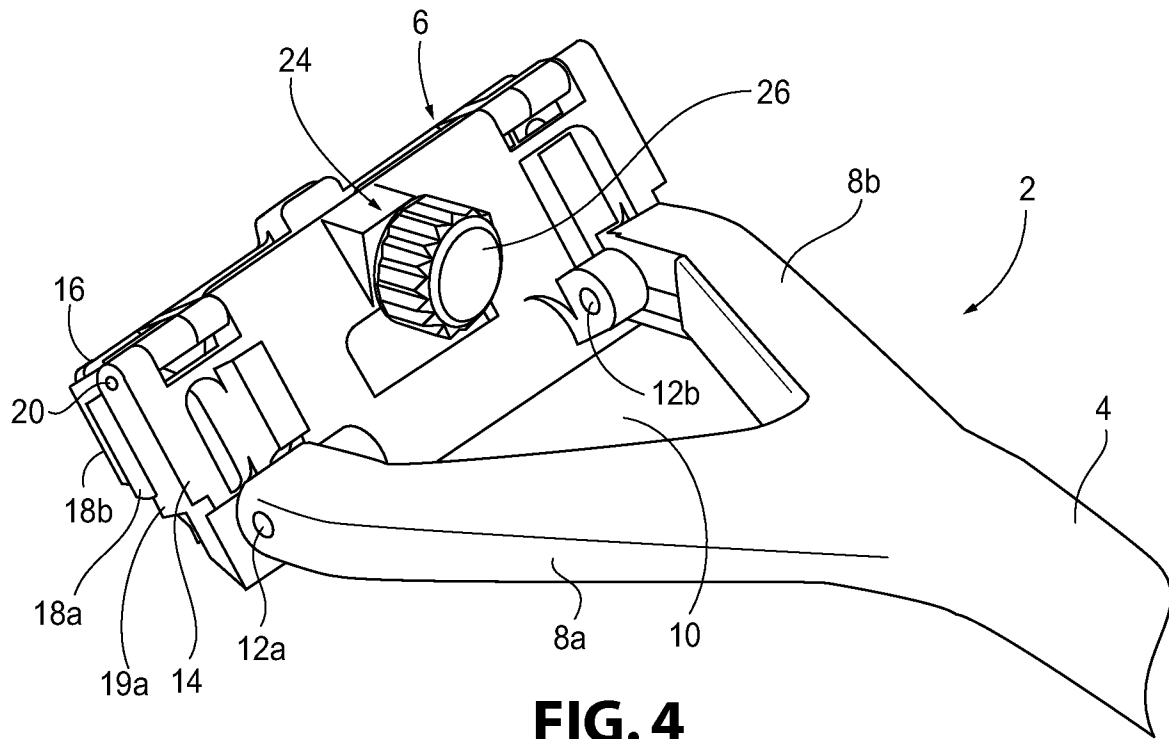


FIG. 4

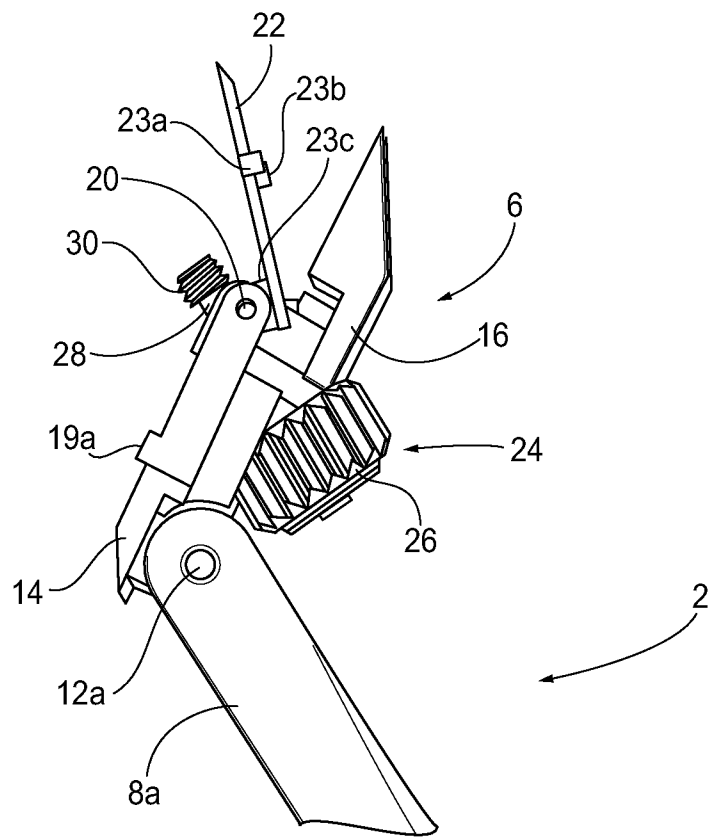


FIG. 5

4/25

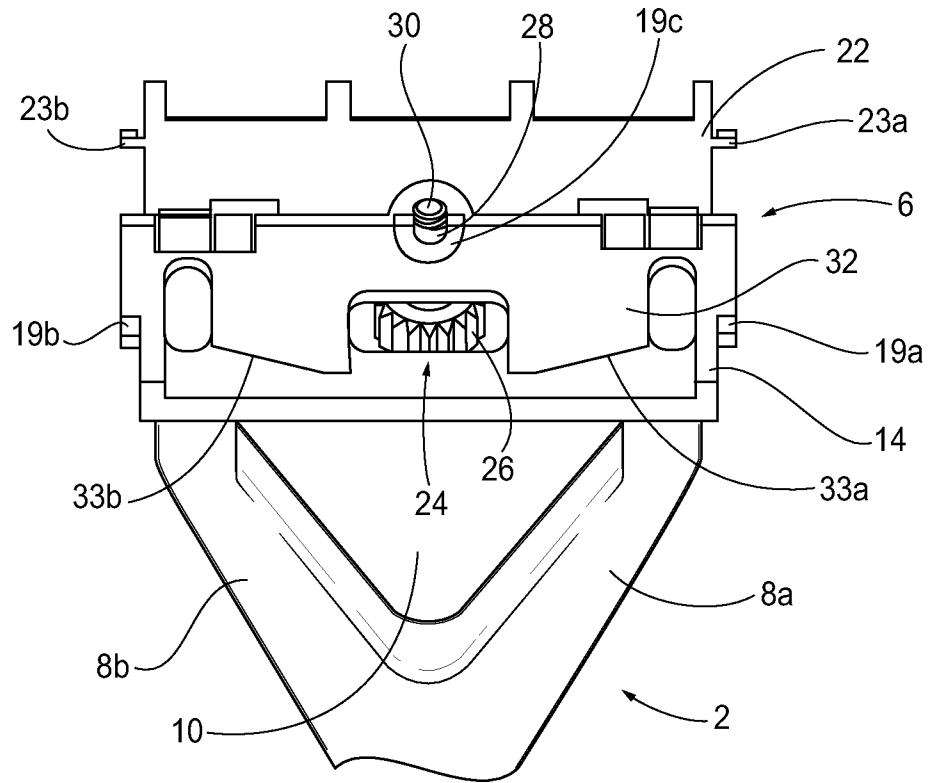


FIG. 6

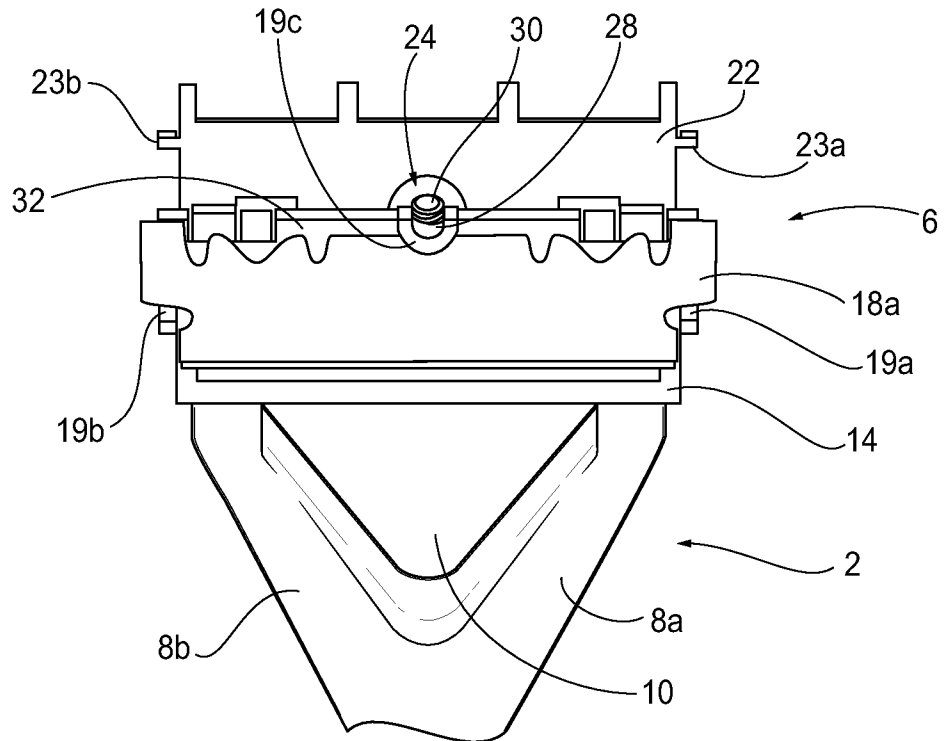


FIG. 7

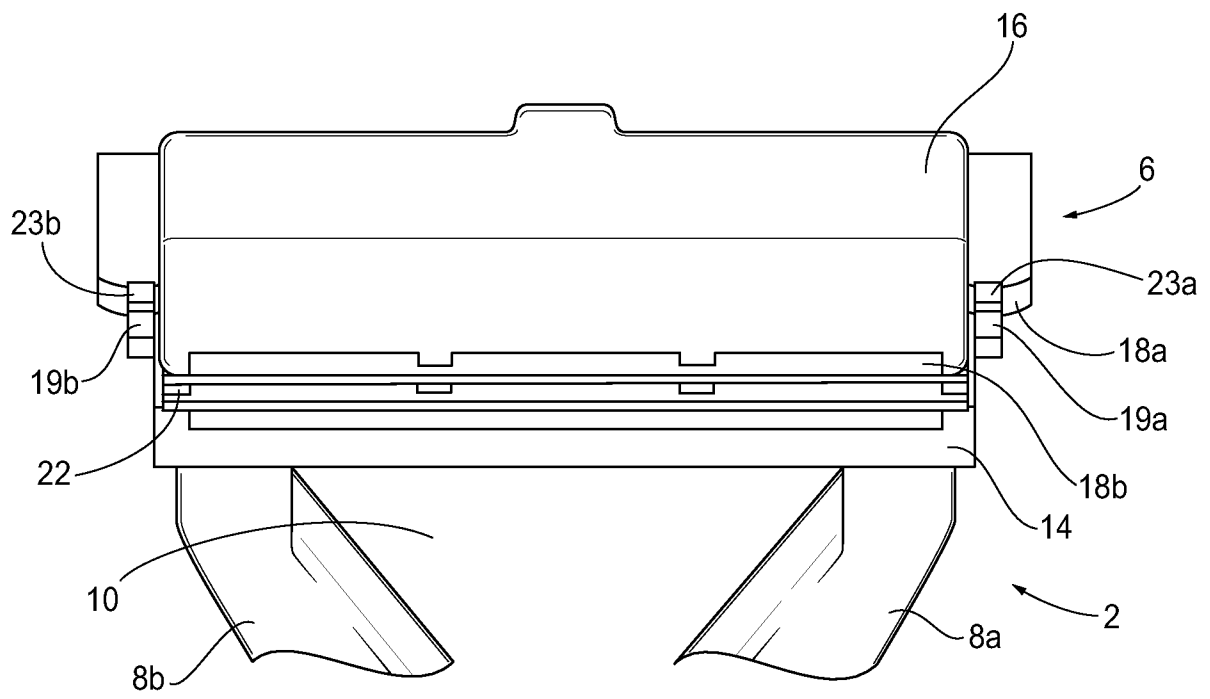


FIG. 10

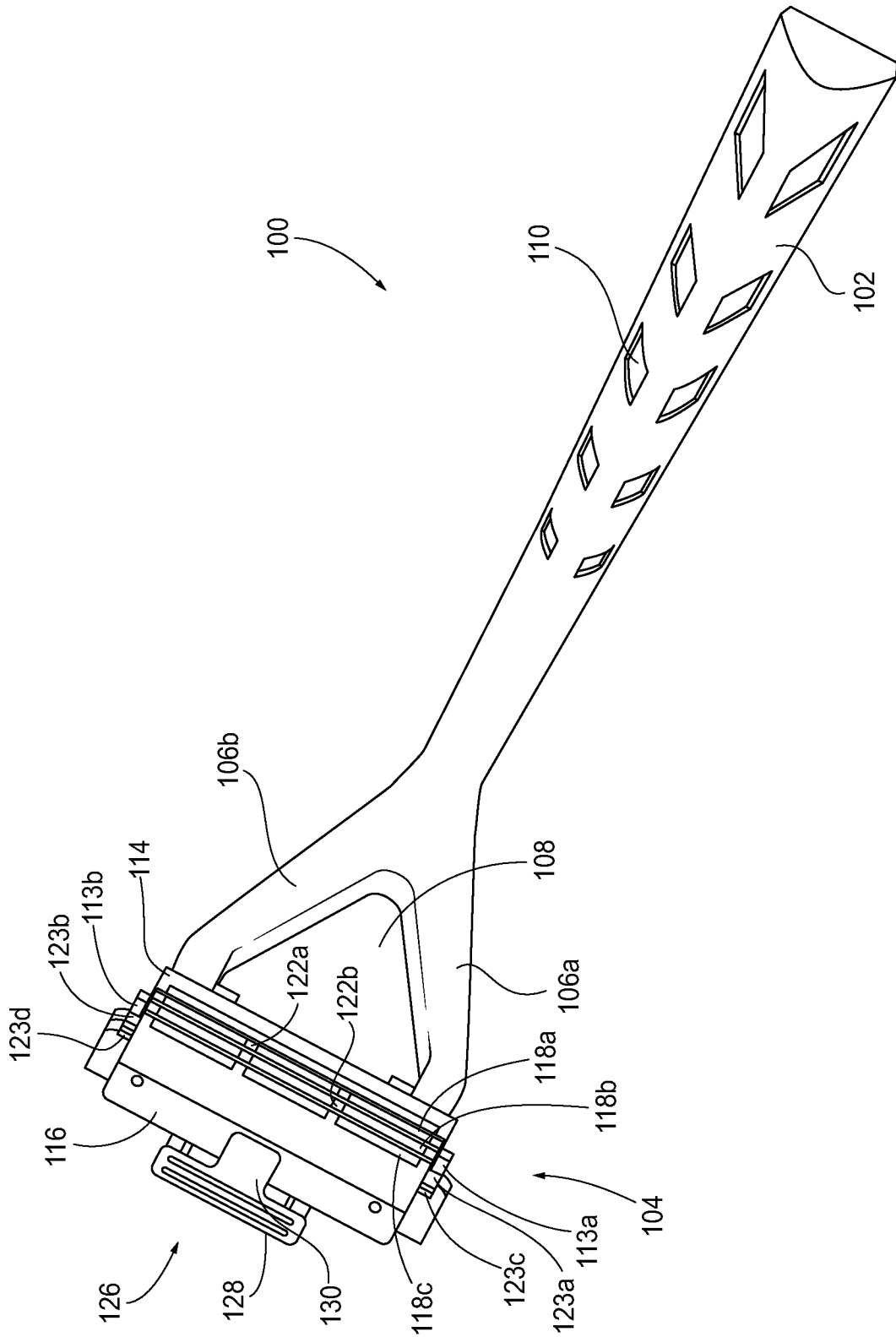


FIG. 12

9/25

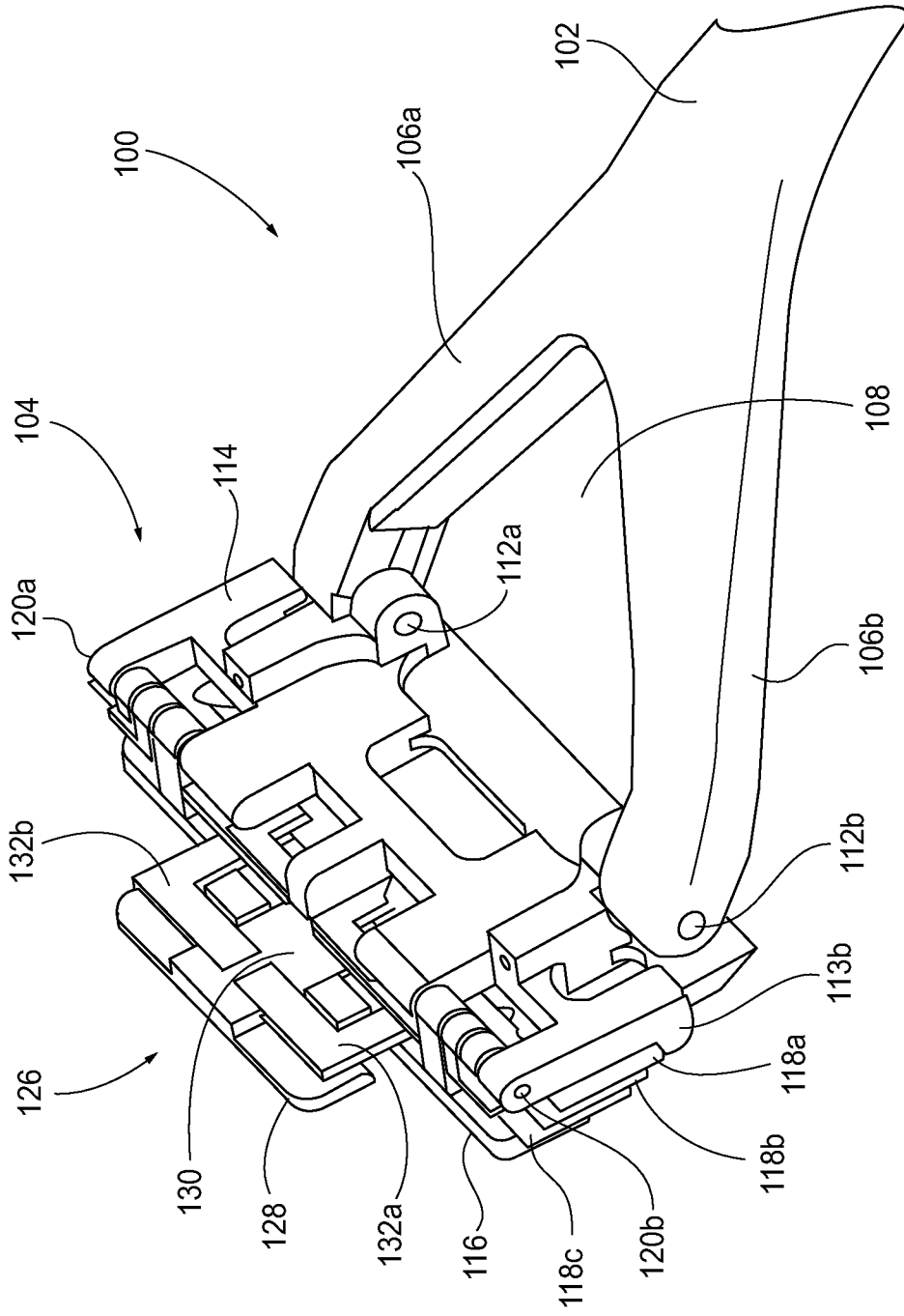


FIG. 13

10/25

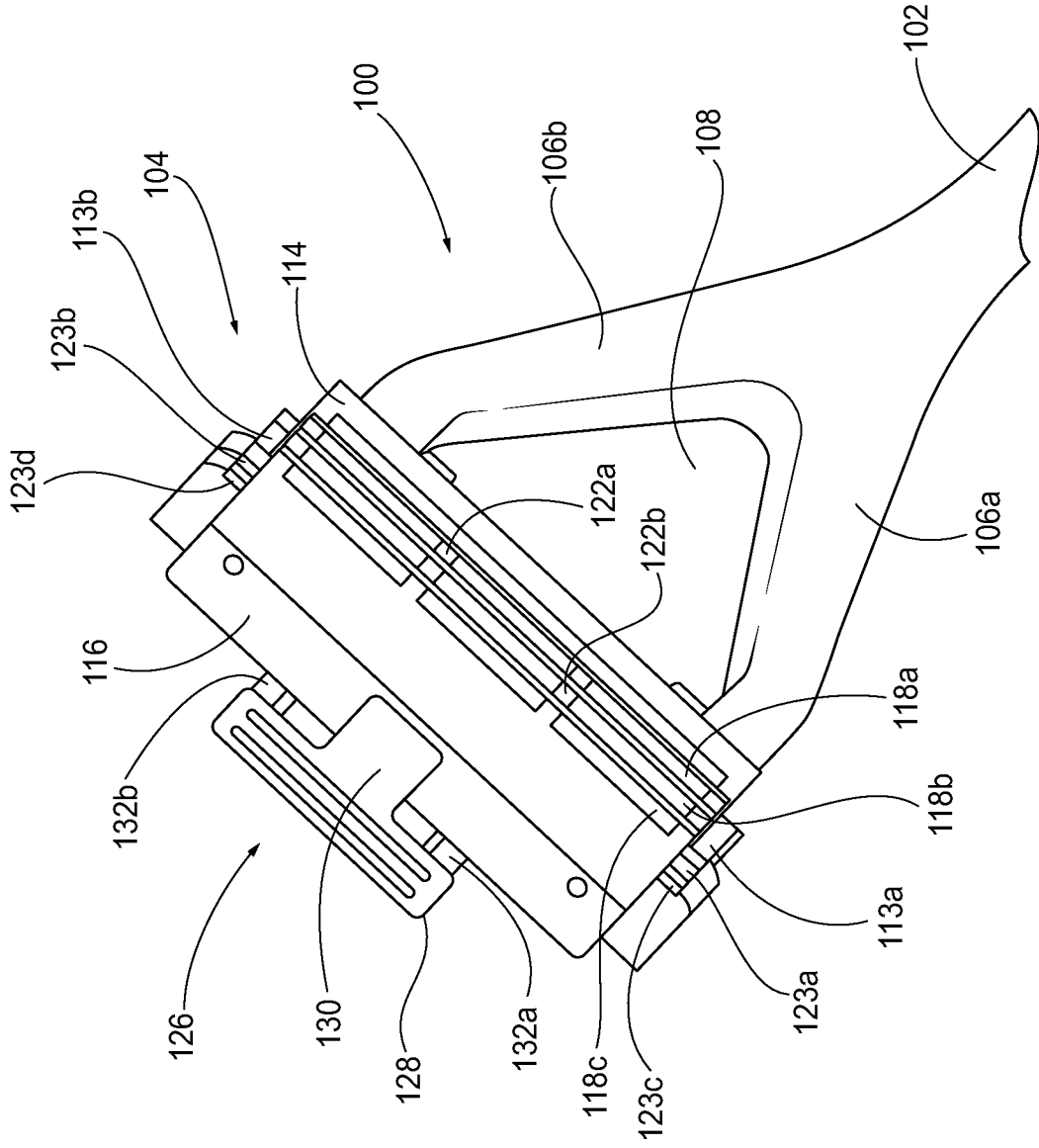


FIG. 14

11/25

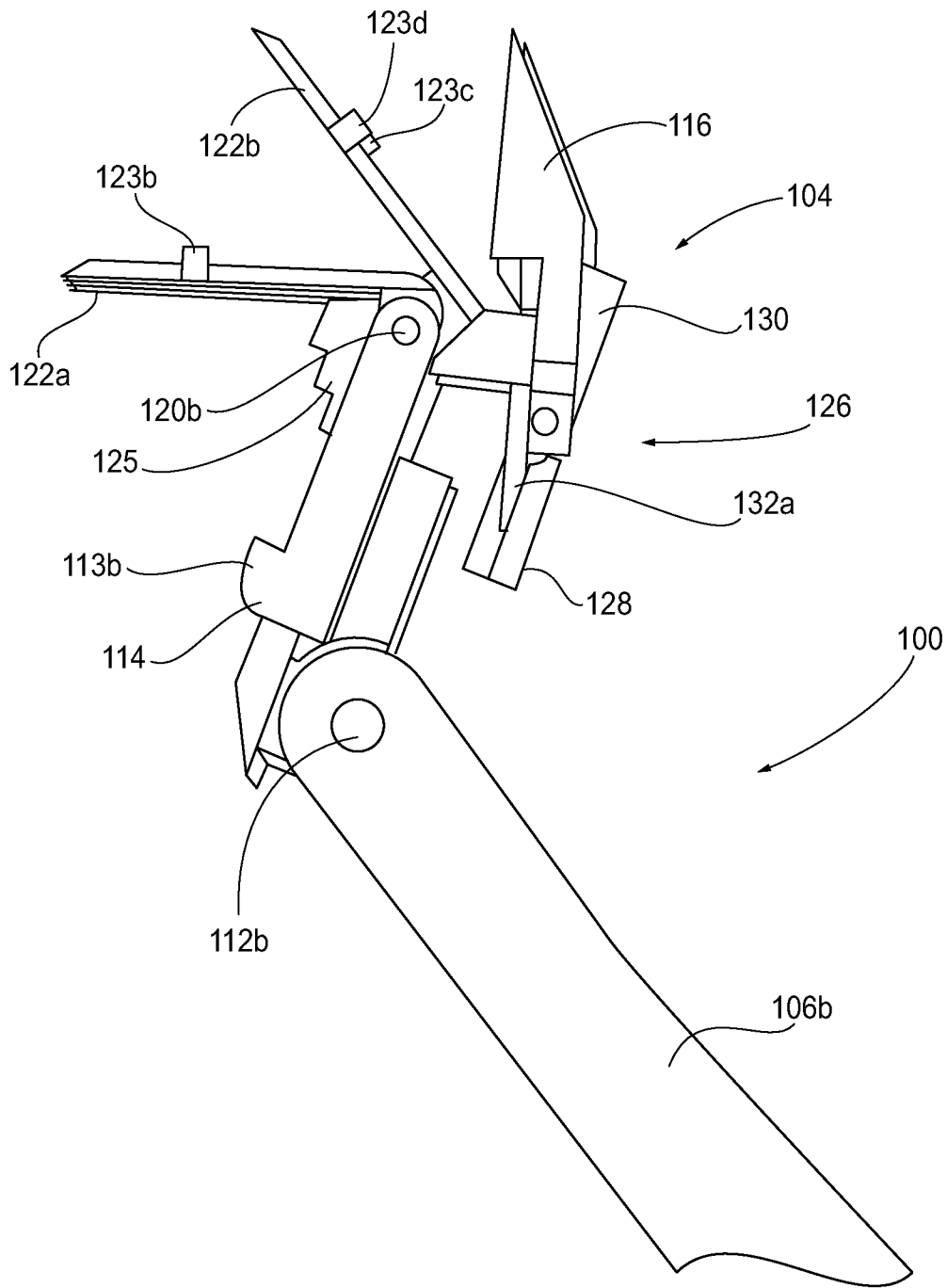


FIG. 15

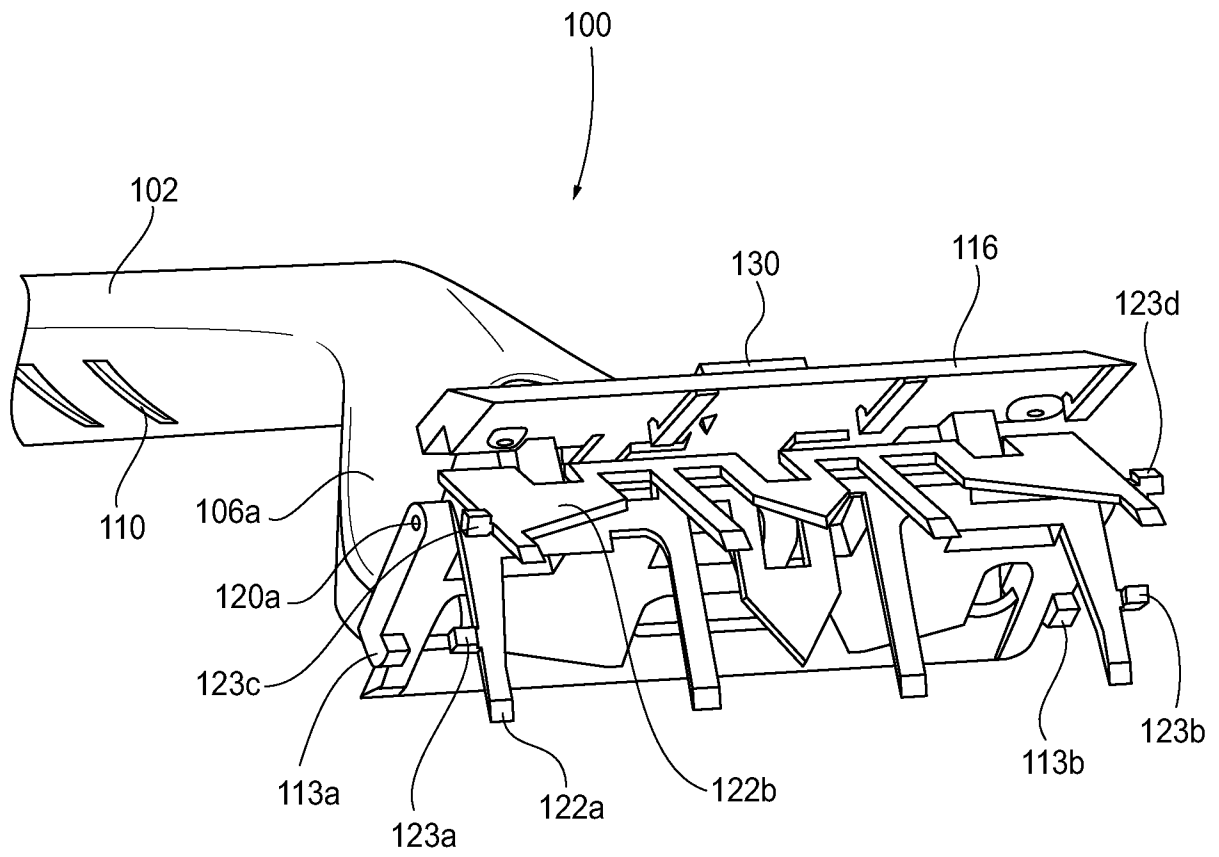


FIG. 16

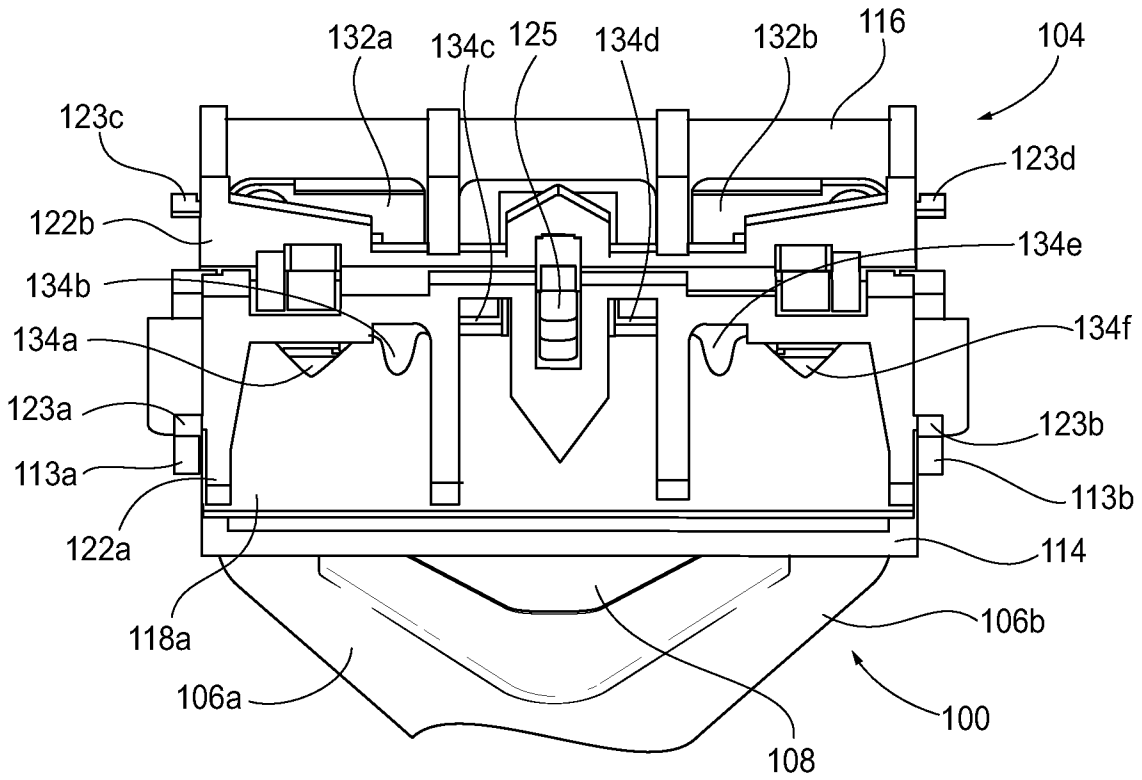


FIG. 19

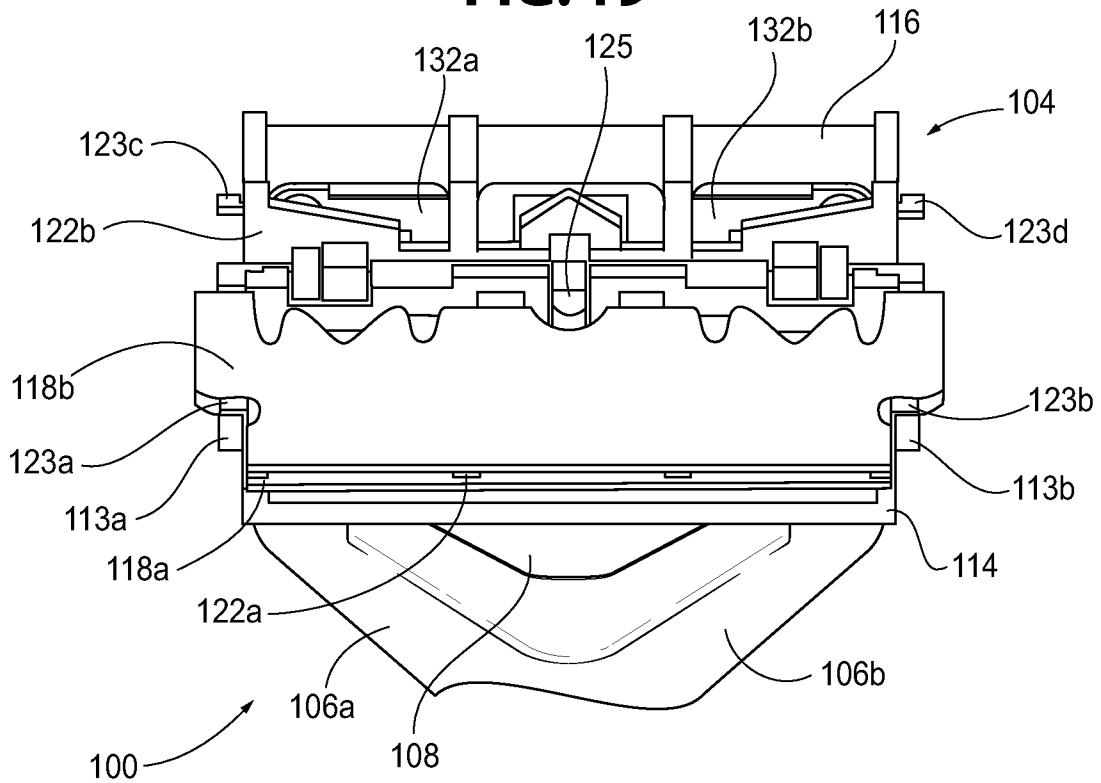


FIG. 20

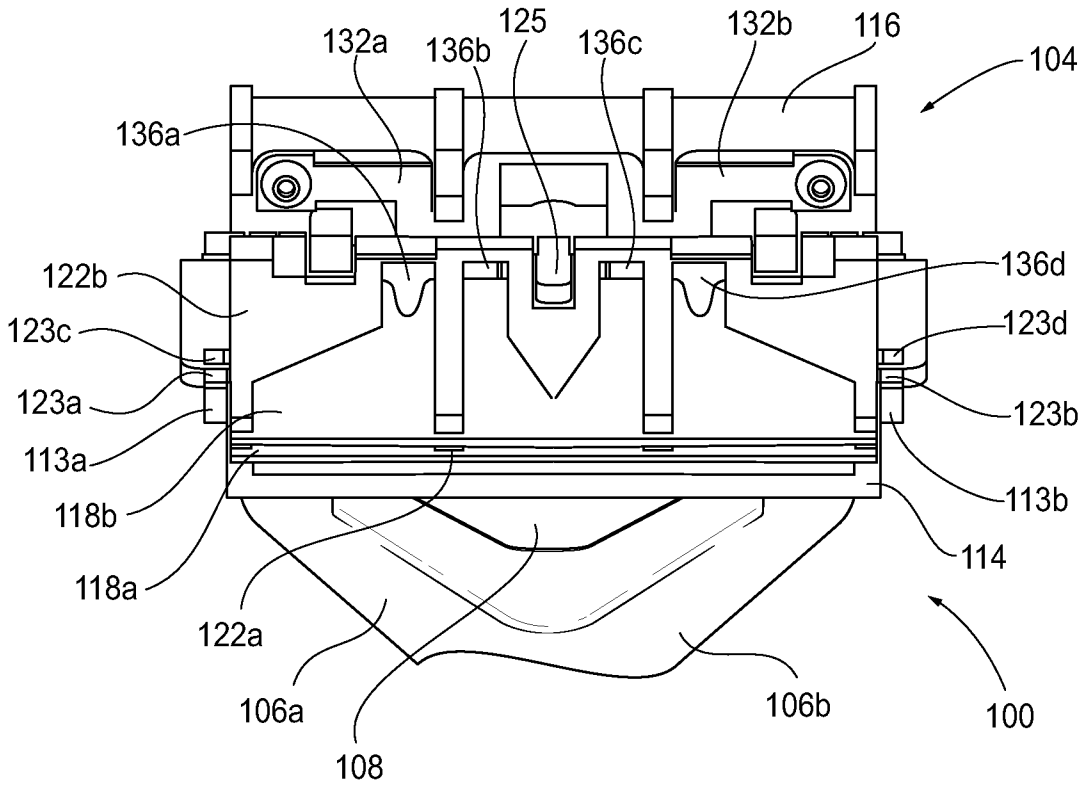


FIG. 21

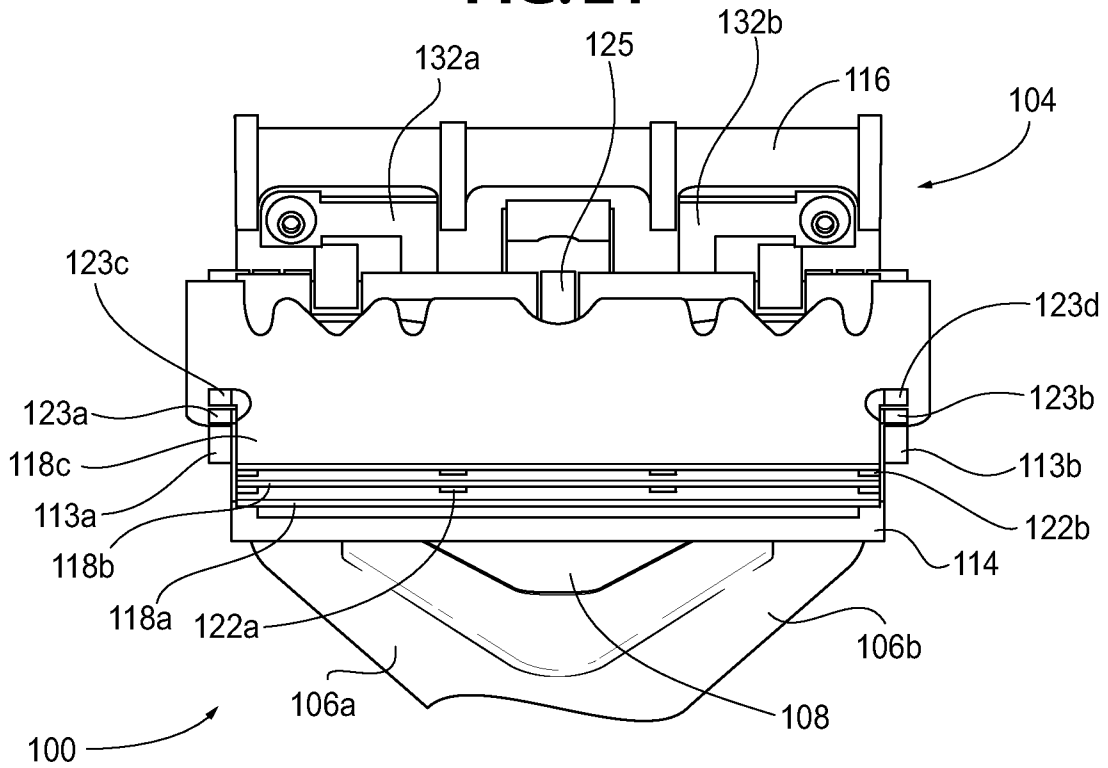


FIG. 22

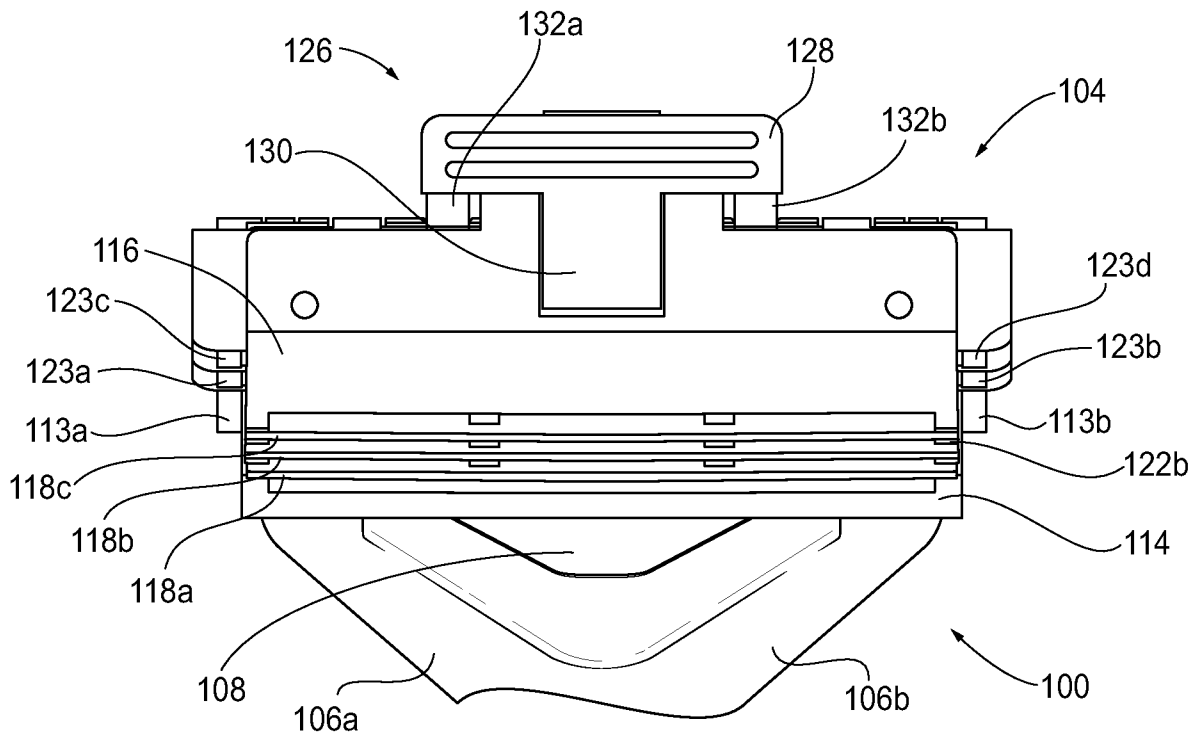


FIG. 23

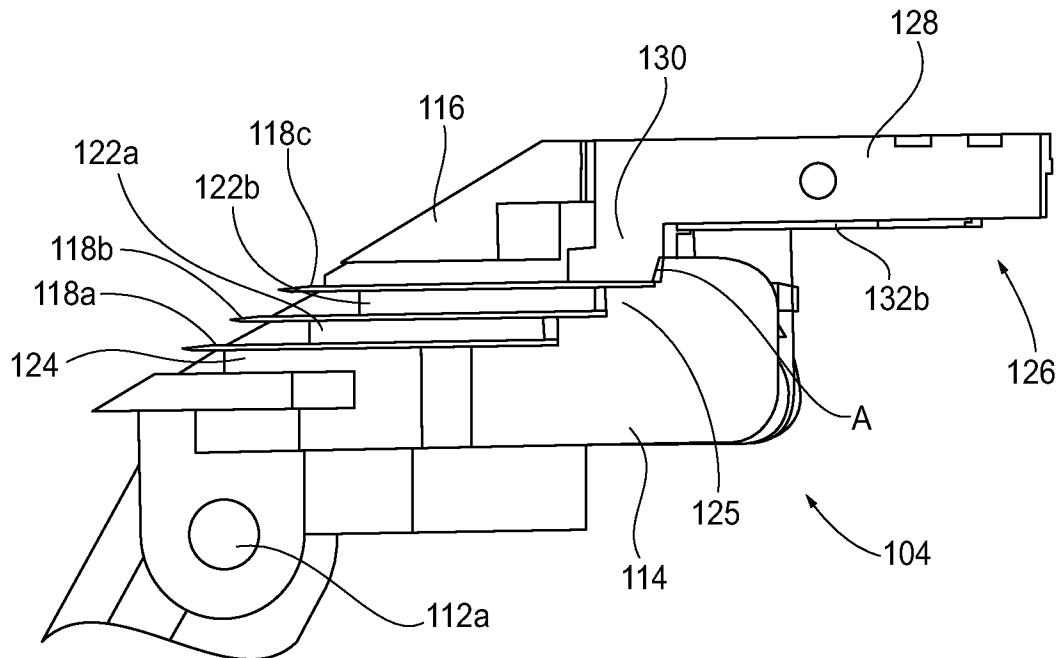


FIG. 24

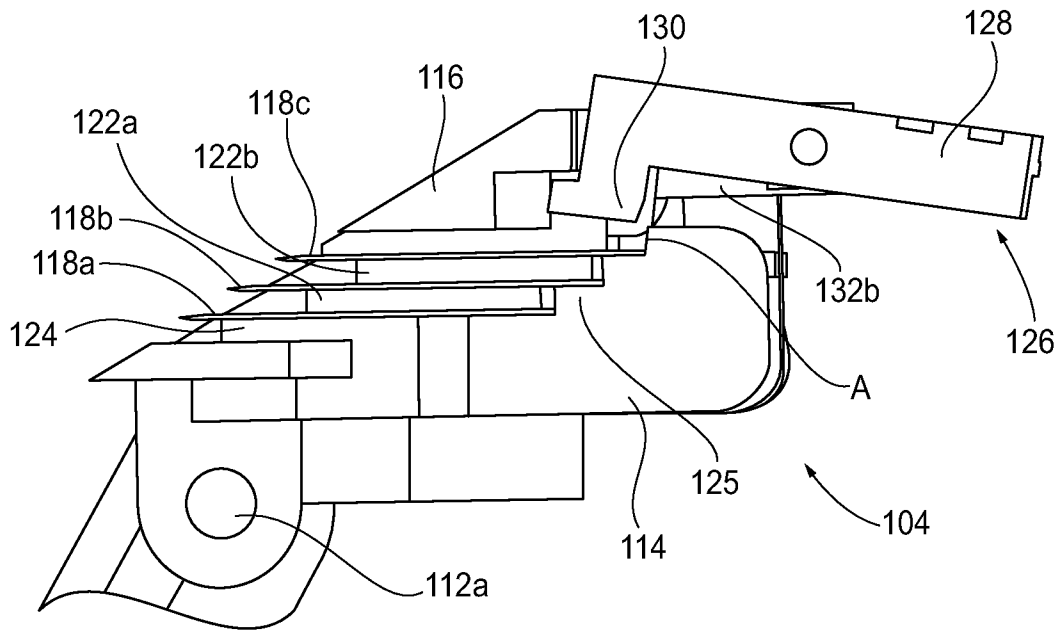


FIG. 25

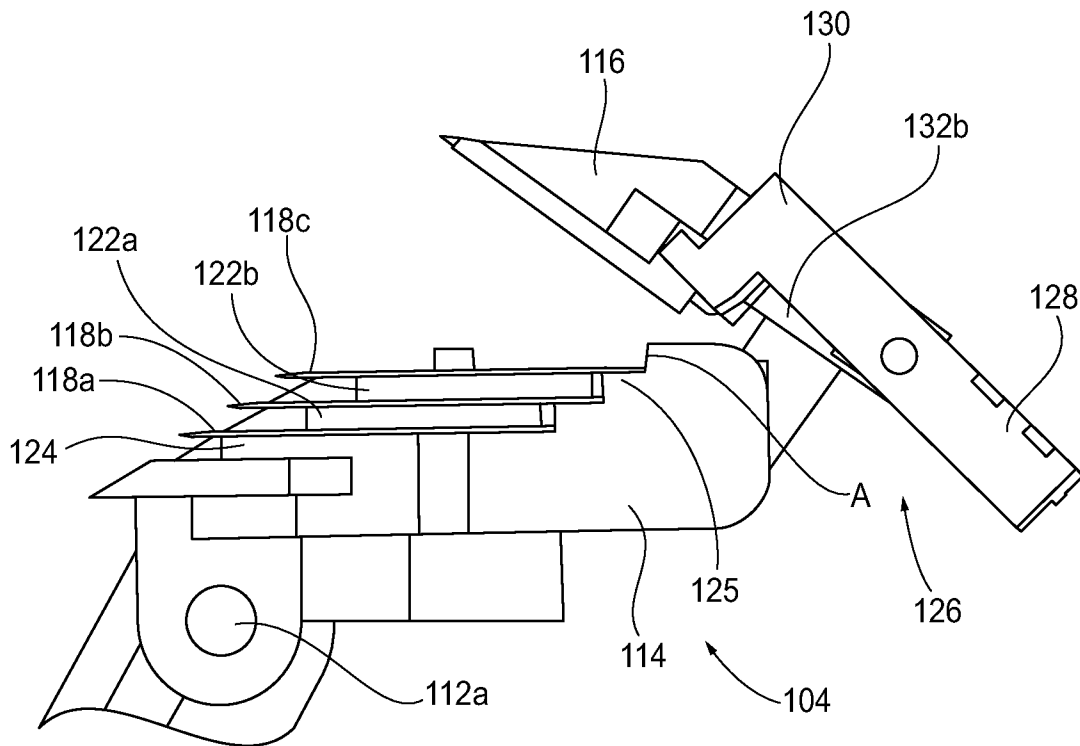


FIG. 26

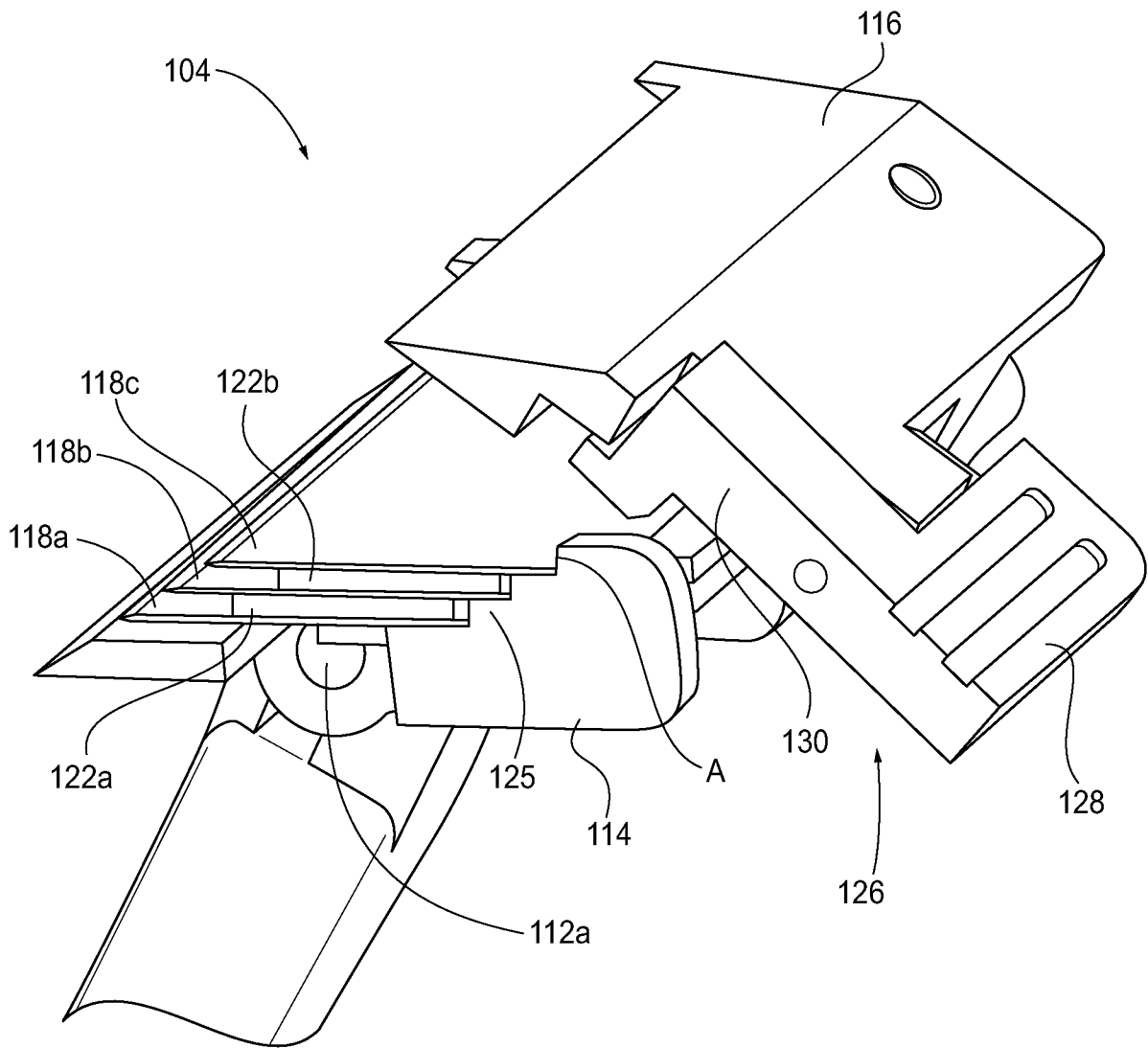


FIG. 27

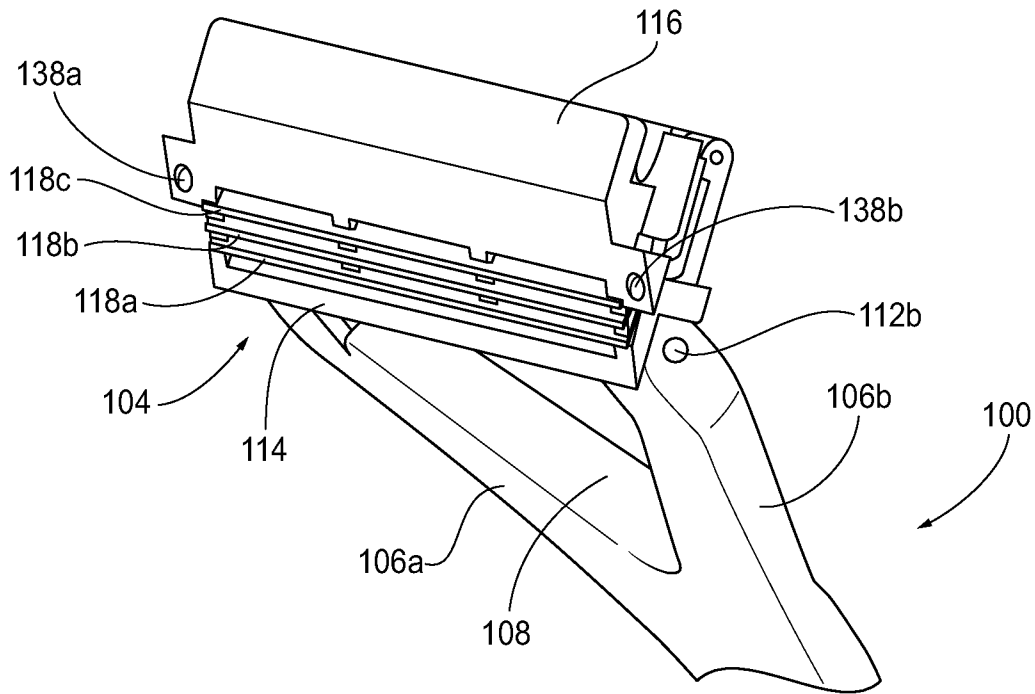


FIG. 28

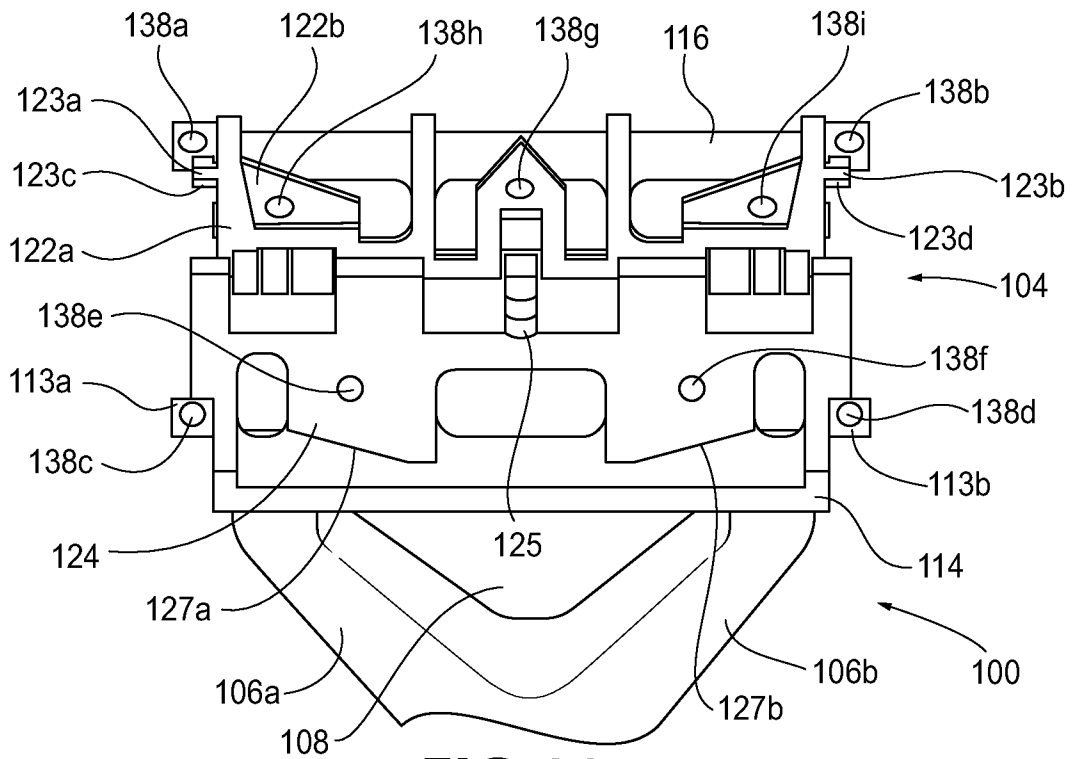


FIG. 29

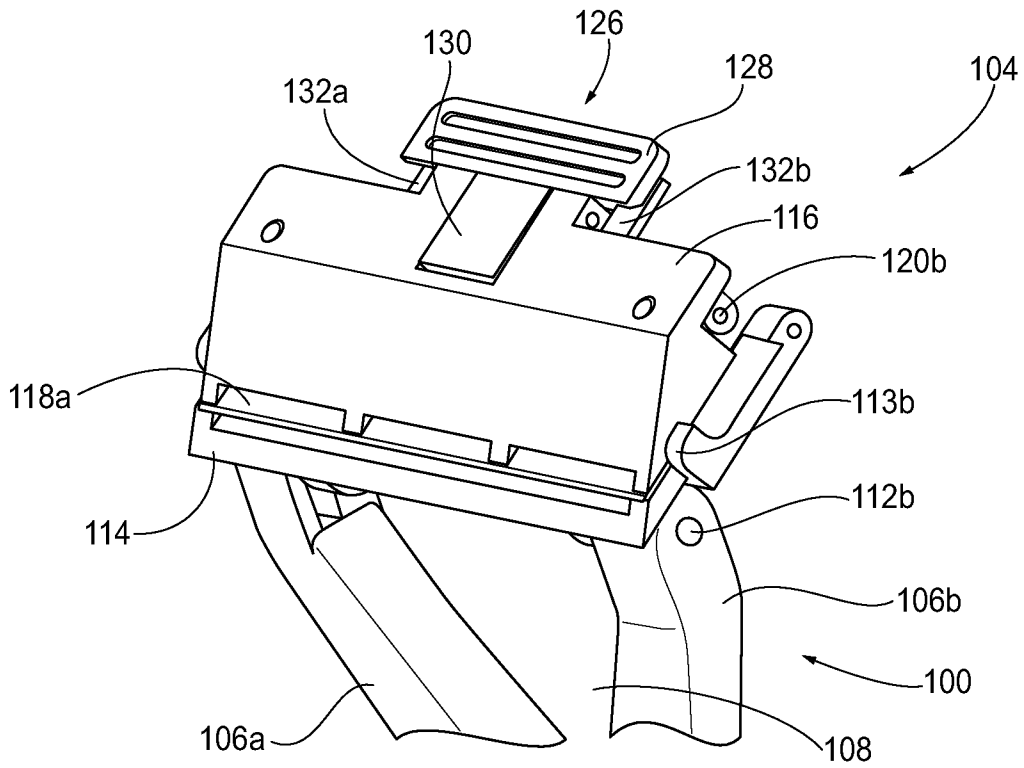


FIG. 30

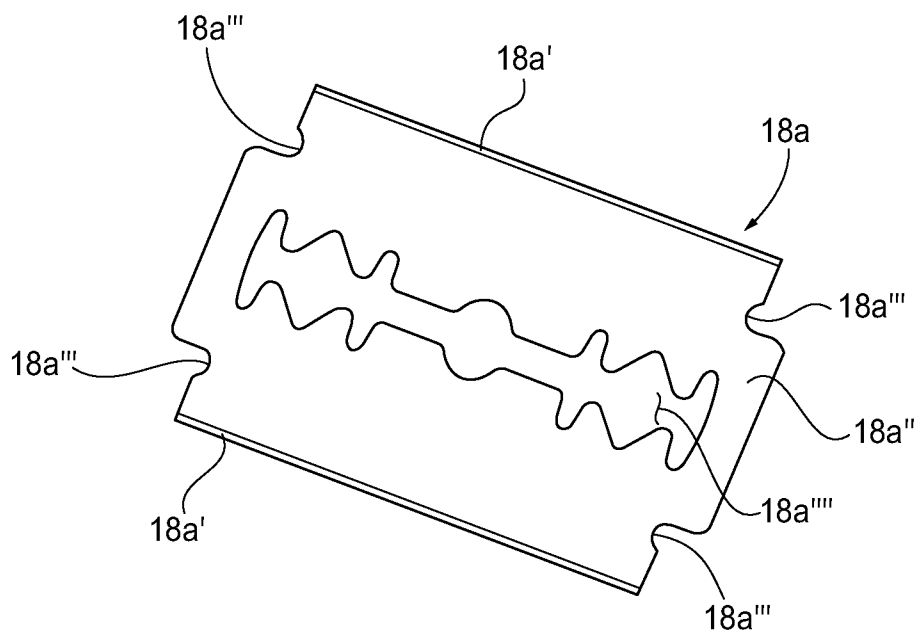
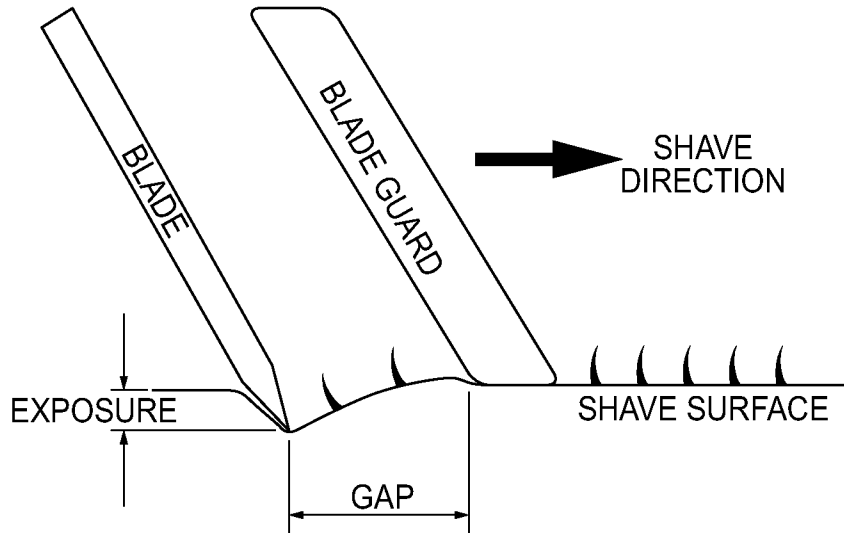
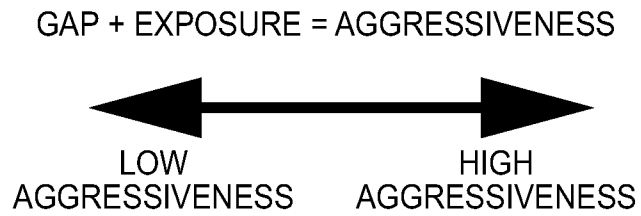


FIG. 31



LESS EFFECTIVE
AT CUTTING
LONGER HAIR
MINIMUM
IRRITATION
AGAINST THE
GRAIN
LOW CHANCE
OF NICKS / CUTS



CUTS LONGER
HAIR
MORE
IRRITATION
AGAINST THE
GRAIN
GREATER
CHANCE OF
NICKS / CUTS

PRIOR ART
FIG. 32

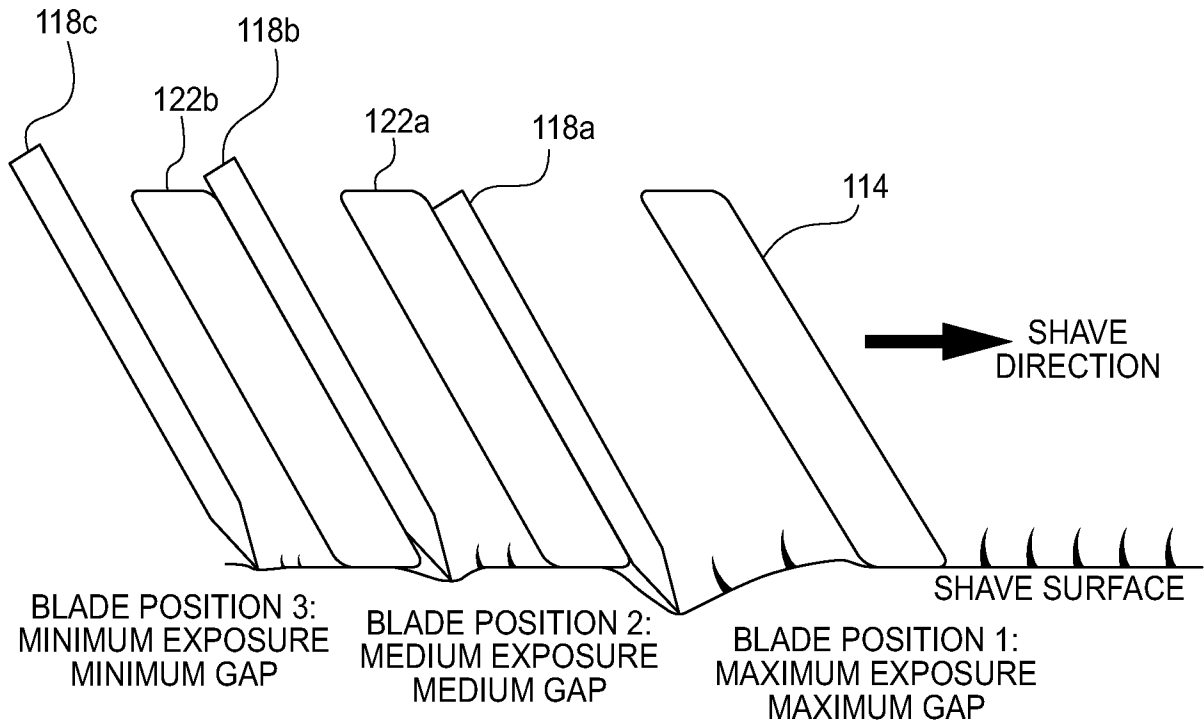


FIG. 33

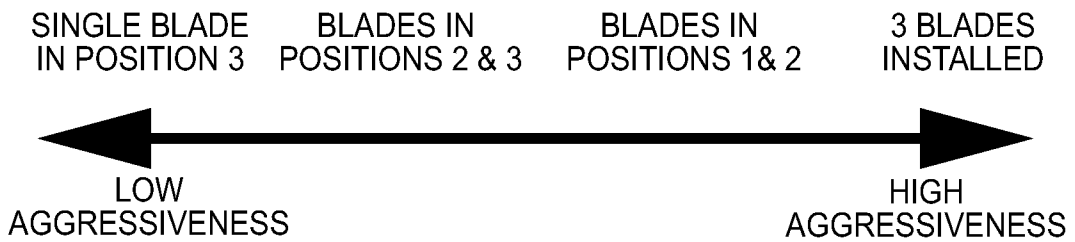


FIG. 34

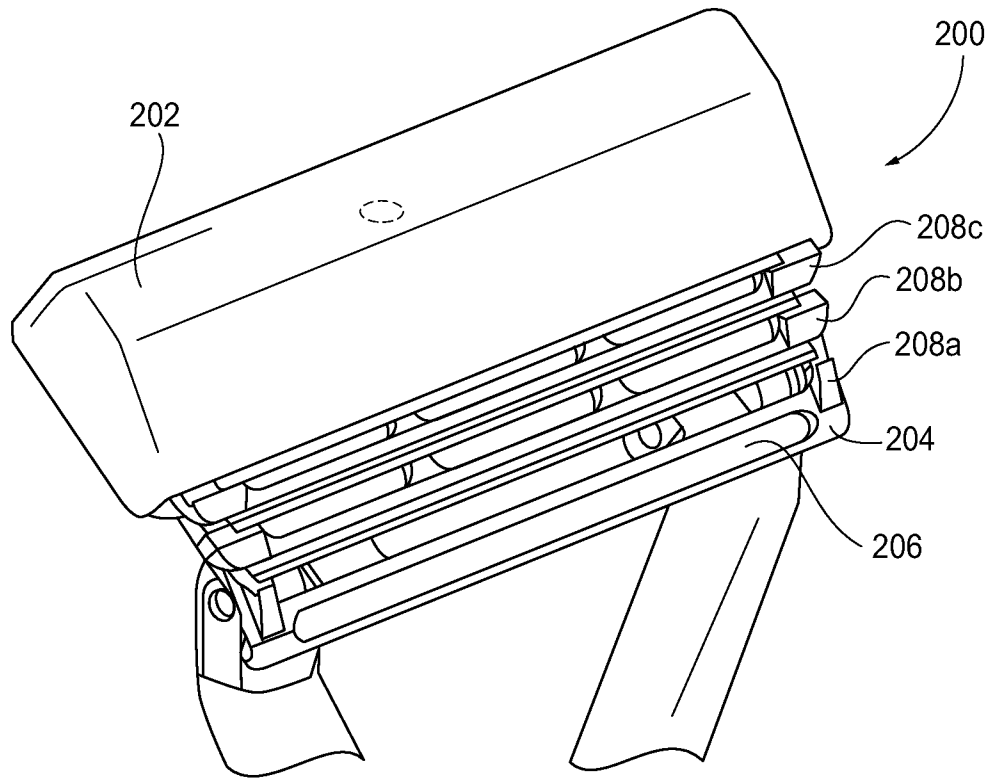


FIG. 35

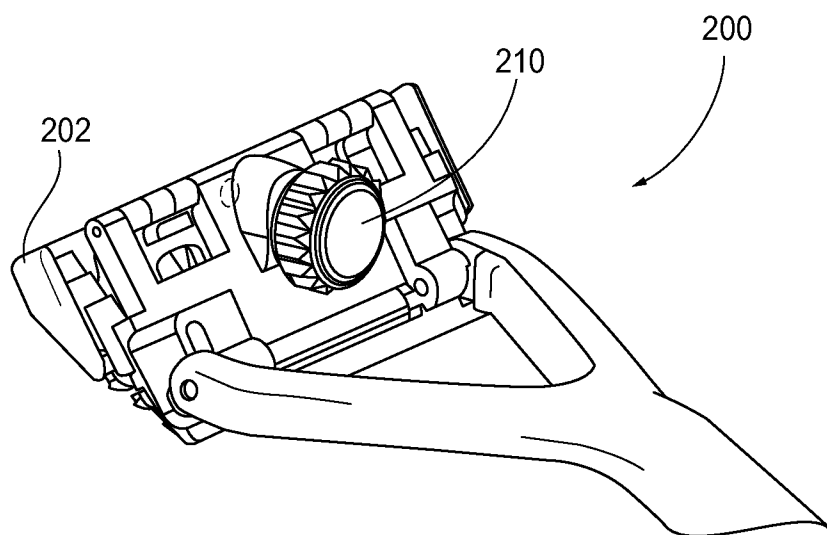


FIG. 36

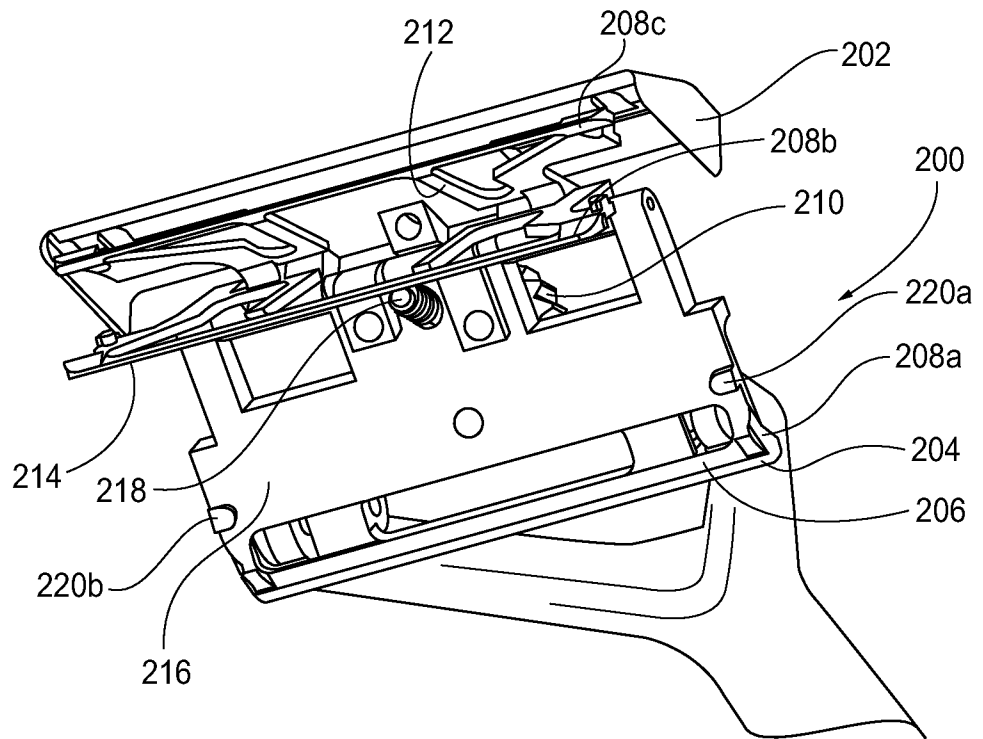


FIG. 37

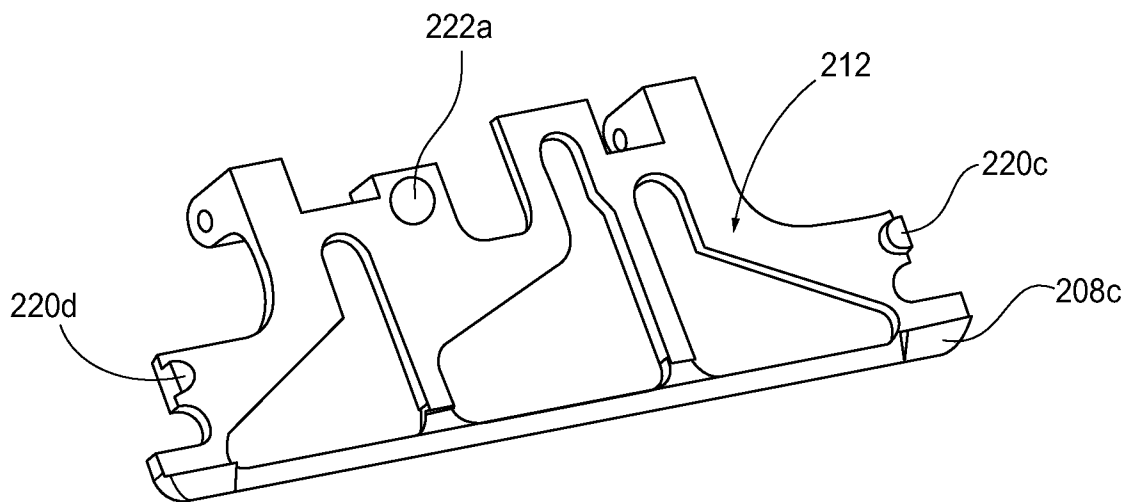


FIG. 38

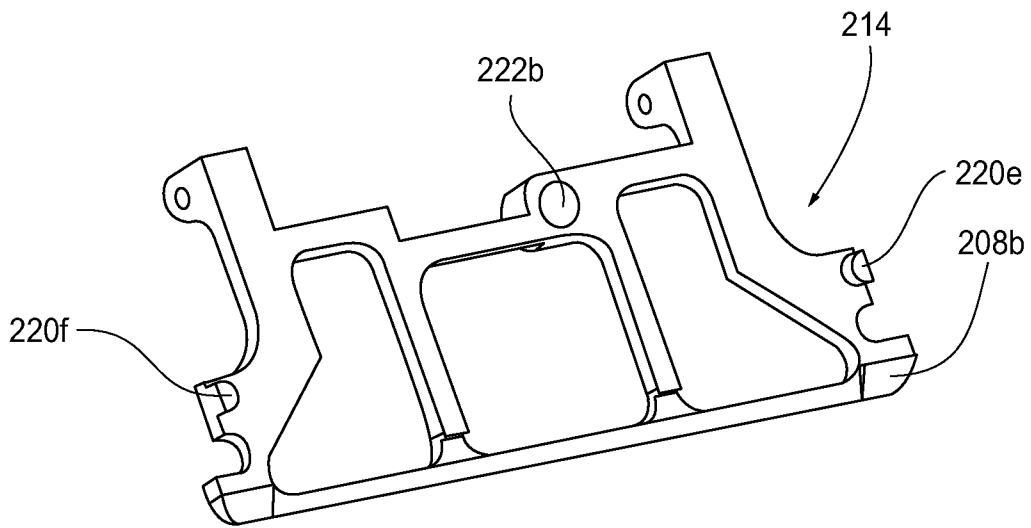


FIG. 39

INTERNATIONAL SEARCH REPORT

International application No.

PCT/US2015/061749

A. CLASSIFICATION OF SUBJECT MATTER
 IPC(8) - B26B 21/22 (2016.01)
 CPC - B26B 21/22 (2015.12)
 According to International Patent Classification (IPC) or to both national classification and IPC

B. FIELDS SEARCHED

Minimum documentation searched (classification system followed by classification symbols)

IPC(8) - B26B 21/16, 21/22, 21/30, 21/32 (2016.01)
 CPC - B26B 21/16, 21/22, 21/30, 21/32, 21/4025 (2015.12)

Documentation searched other than minimum documentation to the extent that such documents are included in the fields searched
 30/34.1, 50, 51, 58, 60, 61, 74 (Keyword delimited)

Electronic data base consulted during the international search (name of data base and, where practicable, search terms used)

Orbit, Google Patents, Google Scholar, Google, YouTube
 Search terms used: razor, remove, cover, pivot, magnet, thumbscrew, replace

C. DOCUMENTS CONSIDERED TO BE RELEVANT

Category*	Citation of document, with indication, where appropriate, of the relevant passages	Relevant to claim No.
Y	US 1,552,234 A (ROEBUCK) 01 September 1925 (01.09.1925) entire document	1-4, 7-10, 16-18
Y	US 4,485,554 A (BERGAMASCHI) 04 December 1984 (04.12.1984) entire document	1-4, 7-10, 16-18
Y	US 1,719,675 A (SIRCH) 02 July 1929 (02.07.1929) entire document	4
Y	US 1,920,711 A (PELIZZOLA) 01 August 1933 (01.08.1933) entire document	4
Y	US 4,345,374 A (JACOBSON) 24 August 1982 (24.08.1982) entire document	9
A	US 3,080,651 A (LA CAS) 12 March 1963 (12.03.1963) entire document	1-20

Further documents are listed in the continuation of Box C. See patent family annex.

<p>* Special categories of cited documents:</p> <p>“A” document defining the general state of the art which is not considered to be of particular relevance</p> <p>“E” earlier application or patent but published on or after the international filing date</p> <p>“L” document which may throw doubts on priority claim(s) or which is cited to establish the publication date of another citation or other special reason (as specified)</p> <p>“O” document referring to an oral disclosure, use, exhibition or other means</p> <p>“P” document published prior to the international filing date but later than the priority date claimed</p>	<p>“T” later document published after the international filing date or priority date and not in conflict with the application but cited to understand the principle or theory underlying the invention</p> <p>“X” document of particular relevance; the claimed invention cannot be considered novel or cannot be considered to involve an inventive step when the document is taken alone</p> <p>“Y” document of particular relevance; the claimed invention cannot be considered to involve an inventive step when the document is combined with one or more other such documents, such combination being obvious to a person skilled in the art</p> <p>“&” document member of the same patent family</p>
---	---

Date of the actual completion of the international search 11 January 2016	Date of mailing of the international search report 02 MAR 2016
--	--

Name and mailing address of the ISA/ Mail Stop PCT, Attn: ISA/US, Commissioner for Patents P.O. Box 1450, Alexandria, VA 22313-1450 Facsimile No. 571-273-8300	Authorized officer Blaine R. Copenheaver PCT Helpdesk: 571-272-4300 PCT OSP: 571-272-7774
---	---