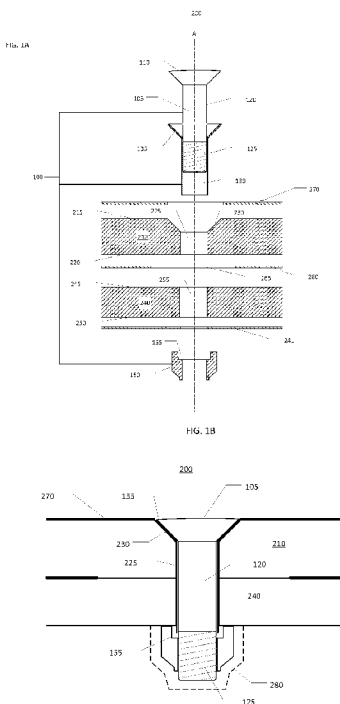




- (51) **International Patent Classification:**
B64D 45/02 (2006.01) *F16B 1/00* (2006.01)
- (74) **Agents:** WOO, Euclid, et al.; The Boeing Company, P.O. Box 2515, MC 110-SD54, Seal Beach, California 90740-1515 (US).
- (21) **International Application Number:** PCT/US2013/077087
- (81) **Designated States** (*unless otherwise indicated, for every kind of national protection available*): AE, AG, AL, AM, AO, AT, AU, AZ, BA, BB, BG, BH, BN, BR, BW, BY, BZ, CA, CH, CL, CN, CO, CR, CU, CZ, DE, DK, DM, DO, DZ, EC, EE, EG, ES, FI, GB, GD, GE, GH, GM, GT, HN, HR, HU, ID, IL, IN, IR, IS, JP, KE, KG, KN, KP, KR, KZ, LA, LC, LK, LR, LS, LT, LU, LY, MA, MD, ME, MG, MK, MN, MW, MX, MY, MZ, NA, NG, NI, NO, NZ, OM, PA, PE, PG, PH, PL, PT, QA, RO, RS, RU, RW, SA, SC, SD, SE, SG, SK, SL, SM, ST, SV, SY, TH, TJ, TM, TN, TR, TT, TZ, UA, UG, US, UZ, VC, VN, ZA, ZM, ZW.
- (22) **International Filing Date:** 20 December 2013 (20.12.2013)
- (25) **Filing Language:** English
- (26) **Publication Language:** English
- (30) **Priority Data:** 13/758,612 4 February 2013 (04.02.2013) US
- (81) **Designated States** (*unless otherwise indicated, for every kind of regional protection available*): ARIPO (BW, GH, GM, KE, LR, LS, MW, MZ, NA, RW, SD, SL, SZ, TZ, UG, ZM, ZW), Eurasian (AM, AZ, BY, KG, KZ, RU, TJ, TM), European (AL, AT, BE, BG, CH, CY, CZ, DE, DK, EE, ES, FI, FR, GB, GR, HR, HU, IE, IS, IT, LT, LU, LV, MC, MK, MT, NL, NO, PL, PT, RO, RS, SE, SI, SK, SM,
- (71) **Applicant:** THE BOEING COMPANY [US/US]; 100 North Riverside Plaza, Chicago, Illinois 60606-2016 (US).
- (72) **Inventors:** HEETER, Russell J.; 100 N. Riverside Plaza, Chicago, Illinois 60606 (US). WARD, John A.; 100 N. Riverside Plaza, Chicago, Illinois 60606 (US). NGUYEN, Thu A.; 100 N. Riverside Plaza, Chicago, Illinois 60606 (US). WILKERSON, Jeffrey A.; 100 N. Riverside Plaza, Chicago, Illinois 60606 (US). PORTER, John R.; 100 N. Riverside Plaza, Chicago, Illinois 60606 (US).

[Continued on next page]

(54) Title: SLEEVED FASTENER ASSEMBLY



(57) **Abstract:** The present disclosure describes a conductive fastener assembly, system, and method, wherein the fastener assembly comprises a nut (150) having a counterbore (155) formed therein. The counterbore is formed to maintain a sufficient gap between the nut and the protruding end of a fastener sleeve (130). The nut with the counterbore improves the conductive fastener system such that the need for a solid copper grid and a cap seal is reduced or eliminated.

WO 2014/120362 A1

TR), OAPI (BF, BJ, CF, CG, CI, CM, GA, GN, GQ, GW, KM, ML, MR, NE, SN, TD, TG). **Published:**

— with international search report (Art. 21(3))

SLEEVED FASTENER ASSEMBLY

FIELD

The disclosure relates to fasteners for fastening structures to each other. More particularly, the disclosure relates to a conductive sleeved fastener assembly which provides an electrically-conductive interface between a fastener sleeve and a fastener while inhibiting undesired electrical contact with other elements.

BACKGROUND

In some aerospace applications, it may be desirable to secure structures to each other using a fastener. A fastener having a diameter which is greater than the diameter of a fastener opening provided in the structures to be secured may be forced into the fastener opening to achieve an interference fit of the fastener in the fastener opening. A lubricant such as cadmium, for example and without limitation, may be coated on the fastener shank to provide the necessary lubricity to insert the fastener in the fastener opening. In the case of composite structures and titanium structures, however, it may be desirable to use a sleeved fastener.

In order to reliably install a sleeved fastener into sleeve openings provided in the structures, it may be necessary to lubricate the shank of the fastener. In some applications, multiple lubricants may be applied to the fastener shank to lubricate the fastener shank in the sleeve. The lubricant(s) may be applied to the fastener shank and/or to the interior surface of the sleeve. The lubricants may electrically insulate the fastener from the fastener sleeve. In some applications, it may be desirable to enhance the electrical conductivity between the fastener and the fastener sleeve.

Even where a desired level of conductivity between the fastener and the fastener sleeve is achieved, however, additional issues may arise when the fastener and sleeve are assembled and result in incidental contact with other elements of the structure or assembly. Therefore, a conductive sleeved fastener assembly which provides an electrically-conductive interface between a fastener sleeve and the fastener while preventing incidental contact with other structural elements may be desirable for some applications.

SUMMARY

The disclosure is generally directed to a conductive sleeved fastener assembly and system and a method for preparing such. An illustrative embodiment of the sleeved fastener assembly includes a fastener, a fastener sleeve, and a nut attached to a fastener shank of the fastener. The nut is prepared having a counterbore that maintains a desired gap between the nut and the fastener sleeve, in both radial and axial directions.

One aspect of the present disclosure provides a conductive sleeved fastener assembly comprising an electrically-conductive fastener having a fastener head and a fastener shank extending from said fastener head. The fastener shank may further comprise an attachment portion located at a distal end of the fastener shank. The fastener assembly further comprises an electrically-conductive fastener sleeve having a fastener sleeve flare, and a nut configured to attach to the fastener shank. The nut may comprise a counterbore having a counterbore diameter and a counterbore depth that are sized to achieve a radial gap and an axial gap, respectively, between the nut and an end of the fastener sleeve. The counterbore may be formed having with a fillet therein. The fastener head and the fastener sleeve flare may be formed having a countersink configuration. The fastener assembly may further comprise a lubricant, such as a solid film lubricant or dielectric layer, wherein the lubricant is omitted from an interface between the fastener head and the fastener sleeve flare.

Another aspect of the present disclosure provides a conductive sleeved fastening system for attaching a first structure to a second structure, wherein the first structure and the second structure include a first hole and a second hole, respectively. The system further comprises an electrically-conductive fastener, having a fastener head and a fastener shank extending from the fastener head, and an electrically-conductive fastener sleeve configured to be placed through said first hole and said second hole when said first hole and second hole are aligned. The fastener sleeve is also configured to receive the fastener shank. The fastener sleeve may further comprise a protruding end that extends beyond the second structure when the fastener sleeve is arranged through said first hole and said second hole. The system further comprises a nut having a counterbore formed therein. The counterbore is formed having a counterbore diameter and a counterbore depth that are sized to achieve a radial gap and an axial

gap, respectively, between the nut and a protruding end of the fastener sleeve. The system may further comprise an expanded metal foil disposed on the first structure and/or a fay seal arranged between the first structure and the second structure. The fay seal may be omitted from an area surrounding the fastener assembly.

5

Yet another aspect of the present disclosure provides a method of preparing a conductive sleeved fastening system for use. The method comprises providing a fastener configured to be disposed in a fastener sleeve, determining an appropriate radial gap and axial gap, and preparing a nut with a counterbore that maintains the appropriate radial gap and axial gap. The method may further comprise arranging an expanded metal foil on a first structure and/or arranging a fay seal between the first structure and the second structure, wherein the fay seal is omitted from an area surrounding fastener assembly.

10

Other systems, methods, features, and advantages of the present disclosure will be or become apparent to one with skill in the art upon examination of the following drawings and detailed description. The features, functions and advantages that have been discussed can be achieved independently in various configurations of the present disclosure or may be combined in yet other configurations further details of which can be seen with reference to the following description and drawings.

20

BRIEF DESCRIPTION OF THE DRAWINGS

Many aspects of the disclosure can be better understood with reference to the following drawings. The components in the drawings are not necessarily to scale, emphasis instead being placed upon clearly illustrating the principles of the present disclosure. Moreover, in the drawings, like reference numerals designate corresponding parts throughout the several views.

30

FIG. 1A is an exploded and partially sectioned view of a conductive fastening system, according to one example of the disclosure;

FIG. 1B is an partially sectioned view of a conductive fastening system, according to another example of the disclosure;

FIG. 1C is a detailed view of the conductive fastening system depicted in FIG. 1B;

5 FIG. 2 is a detailed view of a nut depicted, in accordance with another example of the disclosure;

FIG. 3 is a flowchart depicting a method for preparing a fastening system, in accordance with another example of the disclosure; and

10 FIG. 4 is a block diagram of an aircraft, in accordance with another example of the disclosure.

DETAILED DESCRIPTION

15 In the following description, reference is made to the accompanying drawings, which form a part hereof, and in which is shown, by way of illustration, various configurations of the present disclosure. It is understood that other embodiments may be utilized and changes may be made without departing from the scope of the present disclosure.

20 FIGS. 1A – 1C are illustrations depicting an example of a conductive fastening system according to the present disclosure, comprising a conductive fastener assembly 100 as part of a conductive fastener system 200. The conductive fastener assembly 100 includes a fastener 105, a fastener sleeve 130, and a nut 150. The fastener 105 comprises a fastener head 25 110, a fastener shank 120, and may also include an attachment portion 125 of the fastener shank 120. The attachment portion 125 is configured to receive a nut or collar to engage and secure to the shank. The attachment portion may be for example a threaded surface or an annualr grooved surface. The fastener sleeve includes a flare 135 at one end. The nut 150 is located at a distal end of the fastener shank 120 and comprises a counterbore 155. The counterbore 155 maintains a 30 radial gap 185 between the nut 150 and an outer surface 140 of the fastener sleeve 130, and an axial gap 190 between a protruding end 145 of the fastener sleeve 130 and the nut 150. A lubricant 195 may be disposed between the fastener 105 and the fastener sleeve 130 and between the fastener 105 and the nut 150.

In addition to the conductive fastener assembly 100, the conductive fastening system 200 comprises a first structure 210 and a second structure 240. The first structure 210 further comprises a top surface 215, a first facing surface 220, and a first hole 225. A standard countersink 230 may be formed at the intersection of the top surface 215 and the first hole 225.

5 The second structure 240 comprises a second facing surface 245, a bottom surface 250, and a second hole 255. The conductive fastening system 200 may further comprise a fay seal 260, a conductive surface 270, and a bottom layer 241. Further, the first or section structure may be a low electrically conductive structure such as a glass or carbon composite for example. More specifically, the first or second structure may be a material having a higher electrical resistance

10 than the fastener.

An electrically-conductive fastener 105 may include a fastener head 110 and a fastener shank 120 which extends from the fastener head 110. The surface of the fastener head 110 may be a bare metal surface without a coating or solid film lubricant. The fastener shank

15 120 of the fastener 105 may extend through the fastener sleeve 130 and the fastener head 110 may engage the fastener sleeve 130. The fastener head 110 may be in direct engagement with a fastener sleeve flare 135 when the fastener 105 fully engages the fastener sleeve 130. As shown in FIGS. 1B and 1C, the fastener shank 120 may extend beyond the second structure 240 and may receive a nut 150 which may be tightened against the second structure 240 or a bottom layer

20 241 disposed thereon.

The fastener head 110 and the fastener sleeve flare 135 may be formed having a countersink configuration, wherein the fastener sleeve flare 135 and the facing surface of the fastener head 110 are placed at an angle that is less than 90° relative to the central axis A.

25 Alternatively, the fastener sleeve flare 135 may comprise a flange, wherein the fastener sleeve flare 135 is approximately 90° relative to the central axis A.

Referring again to FIG. 1C, the nut 150 of the conductive fastener assembly 100 is formed having a counterbore 155 located on the side of the nut 150 facing the bottom surface

30 250 of the second structure 255. While the illustrated example depicts a fastener shank 120 with an attachment portion 125 for mating with the nut 150, the nut 150 and the fastener shank 120 may be configured to employ any appropriate design methods known in the art, including those that may be developed. For example, the fastener and nut assembly may comprise a lockbolt and

collar type system where the fastener comprises annual grooves and the nut comprises a collar is un-threaded where the inner wall of the collar is designed to flow into the annual grooves of the fastener.

5 The counterbore 155 is formed along the central axis "A" with a counterbore diameter and a counterbore depth that are chosen to maintain an acceptable radial gap 185 and axial gap 190. The radial gap 185 is defined as the distance between the outer surface 140 of the fastener sleeve 130 and the inward-facing surface 160 of the counterbore 155, (see FIG. 2), and is substantially constant along any radial direction extending from central axis A. The axial gap 10 190 is defined as the distance, in a direction parallel to the axis, between the distal end of the protruding end 145 of the fastener sleeve and a bottom surface 165 of the counterbore, (see FIG. 2). For example, under a given set of conditions, (which may include, for example, the materials and the intended use of the system), one may determine a minimum radial gap and a minimum axial gap. In some instances, it may be sufficient to design the counterbore 155 such that the 15 radial gap and axial gap are always greater than 0. In one example used for fastening aircraft structures, a minimum radial gap may be set at 0.015 inches with a minimum axial gap of 0.050 inches.

 Referring to FIG. 2, the formation of the counterbore 155 in nut 150 may include 20 other features that improve the performance of the fastening system 200. For example, a fillet 180 may be formed at the intersection of the inward-facing surface 160 and the bottom surface 165 of the counterbore 155. A fillet or rounded section may reduce the potential for arcing between the electrically conductive fastener sleeve 130 and the nut 150. In the aircraft example discussed above, a fillet with a radius of 0.010 inches may be used. Other portions of the nut 25 may also be rounded. For example, FIG. 2 shows a rounded shoulder 157 formed at a mouth of the counterbore 155.

 The formation of the counterbore 155 forms a rim 156 of nut 150, wherein a top of the rim 156 is in contact with the second structure 240, or the bottom layer 241 as the case 30 may be. The design of the nut 150 and the size of the counterbore 155 should result in a rim 156 that will resist deformation as the fastener assembly 100 is tightened.

The conductive fastener assembly 100 may be used in wide range of situations, and the illustration depicts a generic fastener assembly system 200. The first structure 210 and second structure 240, may vary in thickness and material. The fastener assembly system 200 may further comprise a plurality of structures, wherein the first structure 210 represents the outermost structure, i.e., where the fastener head 110 is arranged, and wherein the second structure 240 represents the innermost structure, i.e., where the nut 150 is located. The first structure 210 and the second structure 240 may be the same material or differing materials, such as a metal and a fiber-reinforced composite material.

A first hole 225 is drilled or otherwise formed in the first structure 210 and a corresponding second hole 255 is formed in the second structure 240. The location of the holes 225, 255 are chosen to result in the desired arrangement of the structures 210, 240 when the fastener assembly 100 is employed. The diameter of the holes 225, 255 is chosen in accordance with the diameter of the fastener sleeve 130, and may be configured to create an interference fit.

Referring again to FIGS. 1A and 1B, the top of the first hole 225 may be formed with a standard countersink 230 that corresponds with the countersink configuration of the fastener assembly 100. As used in the present disclosure, the term “standard countersink” is not intended to indicate a specific angle or diameter, but instead is used to differentiate the countersink illustrated from a “deep countersink” wherein the fastener head 110 would rest substantially below the top surface 215 of the first structure 210. Some examples of the fastener assembly system 200 may employ a deep countersink for a particular application, but other features of the design of the fastener assembly system 200 of the present disclosure is intended to reduce the need for a deep countersink for many applications. While the figures show a fastener comprising a head and fastener sleeve having a countersink configuration, in operation the fastener head may be of any type such as a protruding head.

The fastener assembly system 200 may be assembled with additional features where necessary. For example, FIGS. 1A and 1B depict a conductive surface 270 that may be arranged, for example, on the top surface 215 of the first structure 210. The conductive surface 270 may be arranged on the top surface 215 using an automated process. The advantages of the present disclosure allow thinner and more easily-applied substances, such as, for example, an expanded metal foil or other thin metallic surfaces such as expanded copper foil, to be used as the conductive surface 270.

FIGS. 1A and 1B also depict a fay seal 260 disposed between the first facing surface 220 and the second facing surface 245. A fay seal is typically used for fluid exclusion and corrosion resistance and provides containment capability associated with potential sparking in this interface. The fastener assembly system 200 of the present disclosure may employ a fay seal 260, and, in some instances, omit the fay seal 260 from an area 265 surrounding the fastener assembly 100. Alternatively, the fay seal 260 may be removed from the assembly where protection from electrical phenomena is not required.

In operation, a particular fastener 105 and fastener sleeve 130 may be chosen according to the overall thickness of the first structure 210 and the second structure 240, as well as any intervening elements, such as a fay seal 260 and/or a bottom layer 240. The fastener sleeve 130 should have a protruding end 145 that extends beyond the second structure 250 and, where applicable, the bottom layer 241. The different sizes of fasteners 105 and fastener sleeves 130 available may determine the largest amount of variance that must be considered when determining the counterbore depth.

Another advantage of the fastener assembly system 200 of the present disclosure is that a cap seal 280 may not be a necessary features for some assembly situations where arcing is undesirable. For this purpose, the cap seal 280, denoted by the dashed outline in FIG. 1B, is shown as missing from the illustrated example.

FIG. 3 illustrates a method 300 of preparing a conductive sleeved fastening system for use in accordance with the present disclosure, which method 300 may comprise any or all of the following steps. Step 310 of the method 300 comprises providing a fastener having a fastener head, a fastener shank extending from said fastener head, and a fastener sleeve provided on said fastener shank and a fastener sleeve flare on said fastener sleeve. Step 320 comprises determining an appropriate radial gap 185 and an appropriate axial gap 190 for the desired use of the fastener system 200. Step 330 comprises preparing a nut 150 configured to attach to the fastener shank 120 by forming a counterbore 155 therein. The counterbore 155 may be formed according to the result of step 320 and may include a fillet 180 at an intersection between an inward-facing surface 160 and a bottom surface 165. Step 340 comprises arranging a conductive surface 270 on a top surface 215 of a first structure 210. Finally, step 350 comprises placing a lubricant 195 between the fastener shank 120 and the fastener sleeve 130. Step 350

may further include omitting the lubricant 195 from an interface between the fastener head 110 and the fastener sleeve flare 135.

As shown in FIG. 4, the aircraft 400 produced using the method 300, system 200,
5 and/or assembly 100 described herein, may include an airframe 410 with a plurality of systems 450 and an interior 420. Examples of high-level systems 450 include one or more of a propulsion system 455 an electrical system 460, a hydraulic system 470, and an environmental system 475. Any number of other systems may be included. Although an aerospace example is
10 limited to, the construction and automotive industries.

The examples provided herein may be used in the context of aircraft manufacturing and service. During pre-production, an exemplary method may include specification and design of the aircraft and material procurement. During production, component
15 and subassembly manufacturing and system integration of the aircraft takes place. Thereafter, the aircraft may go through certification and delivery in order to be placed in service. While in service by a customer, the aircraft may be scheduled for routine maintenance and service (which may also include modification, reconfiguration, refurbishment, and so on).

20 The various steps of the method 300 described herein may be employed during any one or more of the stages of production and service. For example, components or subassemblies corresponding to production process may be fabricated or manufactured in a manner similar to components or subassemblies produced while the aircraft is in service. Also, one or more apparatus embodiments may be utilized during the production stages, for example,
25 by substantially expediting assembly of or reducing the cost of an aircraft. Similarly, one or more apparatus embodiments may be utilized while the aircraft is in service, for example and without limitation, to maintenance and service.

Further, the disclosure comprises embodiments according to the following clauses:

1. A conductive sleeved fastener assembly, comprising:
30 an electrically-conductive fastener having a fastener head and a fastener shank extending from said fastener head, the fastener shank further comprising an attachment portion located at a distal end of the fastener shank;

an electrically-conductive fastener sleeve configured to receive said fastener shank of said fastener, the fastener sleeve having a fastener sleeve flare at a top end of said fastener sleeve; and

5 a nut configured to attach to the attachment portion of the fastener shank, the nut having a counterbore formed therein, the counterbore having:

a counterbore diameter sized to maintain a radial gap between an inward-facing surface of the counterbore and an outer surface of the fastener sleeve; and

a counterbore depth sized to maintain an axial gap between a protruding end of the fastener sleeve and a bottom surface of the counterbore.

10

2. The conductive sleeved fastener assembly of clause 1, wherein the counterbore further comprises a fillet between the inward-facing surface and the bottom surface.

3. The conductive sleeved fastener assembly of clause 1, wherein the radial gap is at least
15 0.015 inches and the axial gap is at least 0.050 inches.

4. The conductive sleeved fastener assembly of clause 1, wherein the fastener head and the fastener sleeve flare are formed having a countersink configuration.

20 5. The conductive sleeved fastener assembly of clause 1, further comprising a lubricant, wherein the lubricant is omitted from an interface between the fastener head and the fastener sleeve flare.

25 6. The conductive sleeved fastener assembly of clause 5, wherein the lubricant is a solid film lubricant.

7. A conductive sleeved fastening system for attaching a first structure to a second structure, comprising:

a first structure having a top surface and a first facing surface, with a first hole therein;

30 a second structure having a second facing surface and a bottom surface, with a second hole therein;

an electrically-conductive fastener having a fastener head and a fastener shank extending from said fastener head;

an electrically-conductive fastener sleeve being configured to enter through said first hole and said second hole when said first hole and second hole are aligned, and being configured to receive said fastener shank of said fastener, the fastener sleeve further comprising a protruding end configured to extend beyond the bottom surface of the second structure when the fastener sleeve is arranged through said first hole and said second hole; and

a nut configured to attach to the fastener shank, the nut having a counterbore formed therein, the counterbore having:

a counterbore diameter sized to maintain a radial gap between an inward-facing surface of the counterbore and an outer surface of the fastener sleeve; and

a counterbore depth sized to maintain an axial gap between a distal end of the fastener sleeve and a bottom surface of the counterbore.

8. The fastening system of clause 7, wherein the fastener sleeve further comprises a fastener sleeve flare at a top end thereof.

9. The fastening system of clause 8, wherein the fastener head and the fastener sleeve flare are formed having a countersink configuration; and wherein the first hole is prepared with a standard countersink at the top surface.

10. The fastening system of clause 8, further comprising a lubricant, wherein the lubricant is omitted from an interface between the fastener head and the fastener sleeve flare.

11. The fastening system of clause 7, further comprising an expanded metal foil arranged on the top surface.

12. The fastening system of clause 7, further comprising a fay seal arranged on one or more of the first facing surface and the second facing surface, wherein the fay seal is omitted from an area surrounding one or both of the first hole and the second hole.

13. The fastening system of clause 7, wherein the first structure or second structure has an electrical resistance higher than the fastener.

14. A method of preparing a conductive sleeved fastening system for use, comprising:

providing a fastener having a fastener head, a fastener shank extending from said fastener head, and a fastener sleeve provided on said fastener shank and a fastener sleeve flare on said fastener sleeve;

preparing a nut configured to attach to the fastener shank, by forming a counterbore therein, the counterbore having:

a counterbore diameter sized to maintain a radial gap between an inward-facing surface of the counterbore and an outer surface of the fastener sleeve; and

a counterbore depth sized to maintain an axial gap between a distal end of the fastener sleeve and a bottom surface of the counterbore.

10

15. The method of clause 14, wherein the fastener head and the fastener sleeve flare are formed having a countersink configuration.

15

16. The method of clause 14, wherein the fastener sleeve is configured to extend through a first structure and a second structure, a protruding end of the fastener sleeve extends beyond the second structure.

20

17. The method of clause 16, further comprising the step of arranging a fay seal between the first structure and the second structure, wherein the fay seal is omitted from an area surrounding fastener assembly.

18. The method of clause 16, further comprising the step of arranging an expanded metal foil on a top surface of said first structure.

25

19. The method of clause 14, wherein the counterbore is prepared having a fillet between the inward-facing surface and the bottom surface thereof.

30

20. The method of clause 14, further comprising the step of placing a lubricant between the fastener shank and the fastener sleeve, wherein the lubricant is omitted from an interface between the fastener head and the fastener sleeve flare.

It should be emphasized that the above-described configurations of the present device and process are merely possible examples of implementations and merely set forth for a clear understanding of the principles of the disclosure. Many different configurations of the

disclosure described herein may be designed and/or fabricated without departing from the spirit and scope of the disclosure. All these and other such modifications and variations are intended to be included herein within the scope of this disclosure and protected by the following claims.

Therefore the scope of the disclosure is not intended to be limited except as indicated in the

5 appended claims.

WHAT IS CLAIMED IS:

1. A conductive sleeved fastening system (200) for attaching a first structure (210) to a second structure (240), comprising:
- 5 a first structure (210) having a top surface (215) and a first facing surface (220), with a first hole (225) therein;
- a second structure (240) having a second facing surface (245) and a bottom surface (240), with a second hole therein (255);
- 10 an electrically-conductive fastener (105) having a fastener head (110) and a fastener shank (120) extending from said fastener head;
- an electrically-conductive fastener sleeve (130) being configured to enter through said first hole (225) and said second hole (255) when said first hole and second hole are aligned, and being configured to receive said fastener shank (120) of said fastener, the fastener sleeve (130) further comprising a protruding end (145) configured to extend beyond the bottom surface (250) of the second structure (240) when the fastener sleeve is arranged through said first hole and said second hole; and
- 15 a nut (150) configured to attach to the fastener shank (120), the nut having a counterbore (155) formed therein, the counterbore having:
- a counterbore diameter sized to maintain a radial gap (185) between an inward-facing surface (160) of the counterbore and an outer surface (140) of the fastener sleeve (130); and
- 20 a counterbore depth sized to maintain an axial gap (190) between a distal end of the fastener sleeve and a bottom surface (165) of the counterbore (155).
2. The fastening system of claim 1, wherein the fastener sleeve (130) further comprises a fastener sleeve flare (135) at a top end thereof.
- 25
3. The fastening system of claim 2, wherein the fastener head (110) and the fastener sleeve flare (135) are formed having a countersink configuration; and wherein the first hole is prepared with a standard countersink (230) at the top surface.
- 30
4. The fastening system of any of claims 2-3, further comprising a lubricant (195), wherein the lubricant is omitted from an interface between the fastener head (110) and the fastener sleeve flare (135).

5. The fastening system of any preceding claim, further comprising an expanded metal foil arranged on the top surface (215).

5 6. The fastening system of any preceding claim, further comprising a fay seal (260) arranged on one or more of the first facing surface (220) and the second facing surface (245), wherein the fay seal is omitted from an area surrounding one or both of the first hole (225) and the second hole (255).

10 7. The fastening system of any preceding claim, wherein the first structure (210) or second structure (240) has an electrical resistance higher than the fastener (105).

8. A method of preparing a conductive sleeved fastening system for use, comprising: providing a fastener (105) having a fastener head (110), a fastener shank (120) extending
15 from said fastener head, and a fastener sleeve (130) provided on said fastener shank and a fastener sleeve flare (135) on said fastener sleeve;

preparing a nut (150) configured to attach to the fastener shank (120), by forming a counterbore (155) therein, the counterbore having:

20 a counterbore diameter sized to maintain a radial gap (185) between an inward-facing surface of the counterbore (160) and an outer surface of the fastener sleeve (130); and

a counterbore depth sized to maintain an axial gap (190) between a distal end of the fastener sleeve and a bottom surface (165) of the counterbore.

9. The method of claim 8, wherein the fastener head (110) and the fastener sleeve
25 flare (135) are formed having a countersink (230) configuration.

10. The method of any of claims 8-9, wherein the fastener sleeve (130) is configured to extend through a first structure (210) and a second structure (240), a protruding end of the fastener sleeve extends beyond the second structure.

30 11. The method of claim 10, further comprising the step of arranging a fay seal (260) between the first structure (210) and the second structure (240), wherein the fay seal is omitted from an area surrounding fastener assembly.

12. The method of any of claims 10-11, further comprising the step of arranging an expanded metal foil on a top surface (215) of said first structure (210).

13. The method of any of claims 8-12, wherein the counterbore (230) is prepared
5 having a fillet between the inward-facing surface and the bottom surface thereof.

14. The method of any of claims 8-13, further comprising the step of placing a lubricant (195) between the fastener shank (120) and the fastener sleeve (130), wherein the lubricant is omitted from an interface between the fastener head and the fastener sleeve flare.

10

FIG. 1A

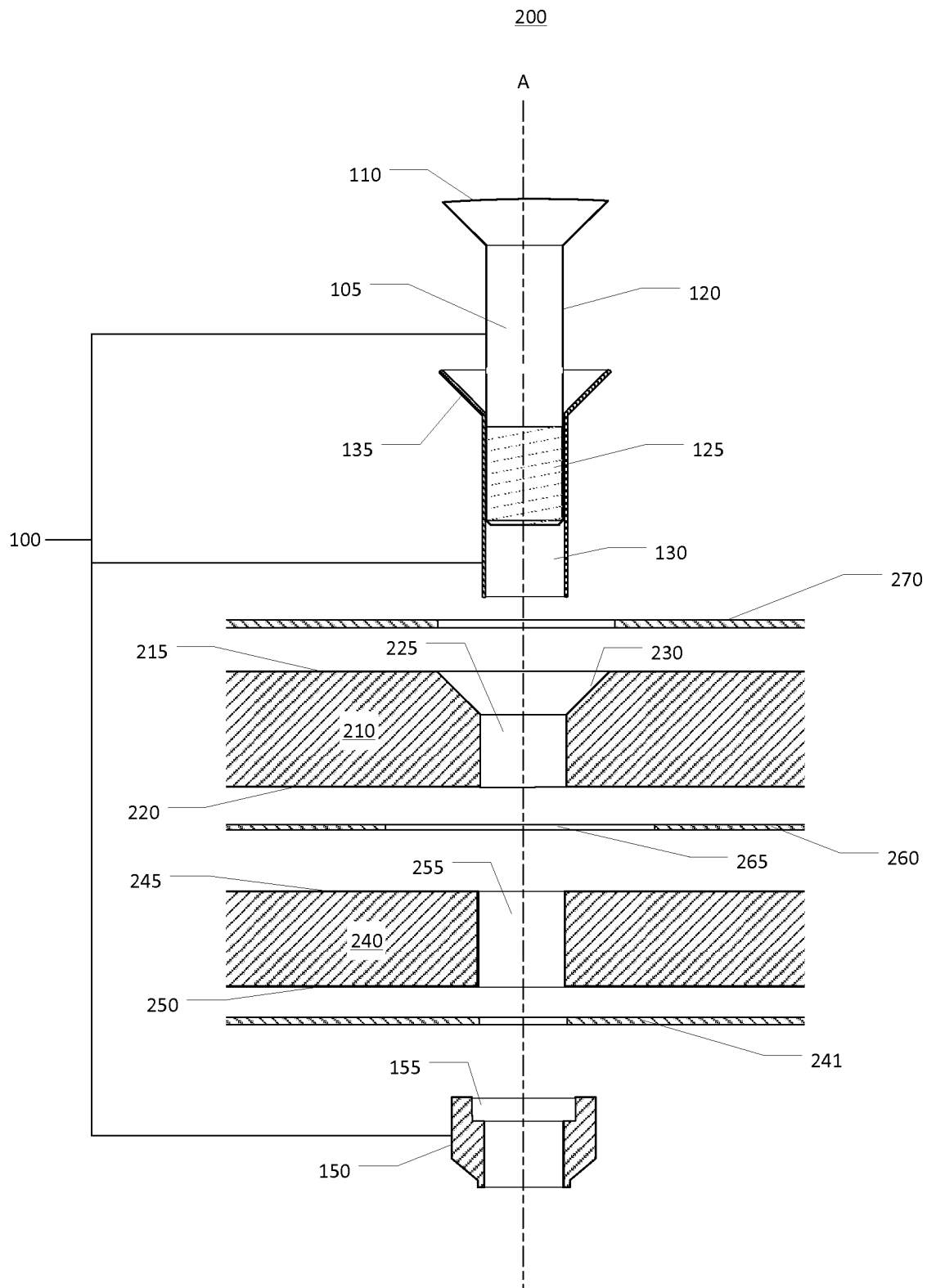


FIG. 1B

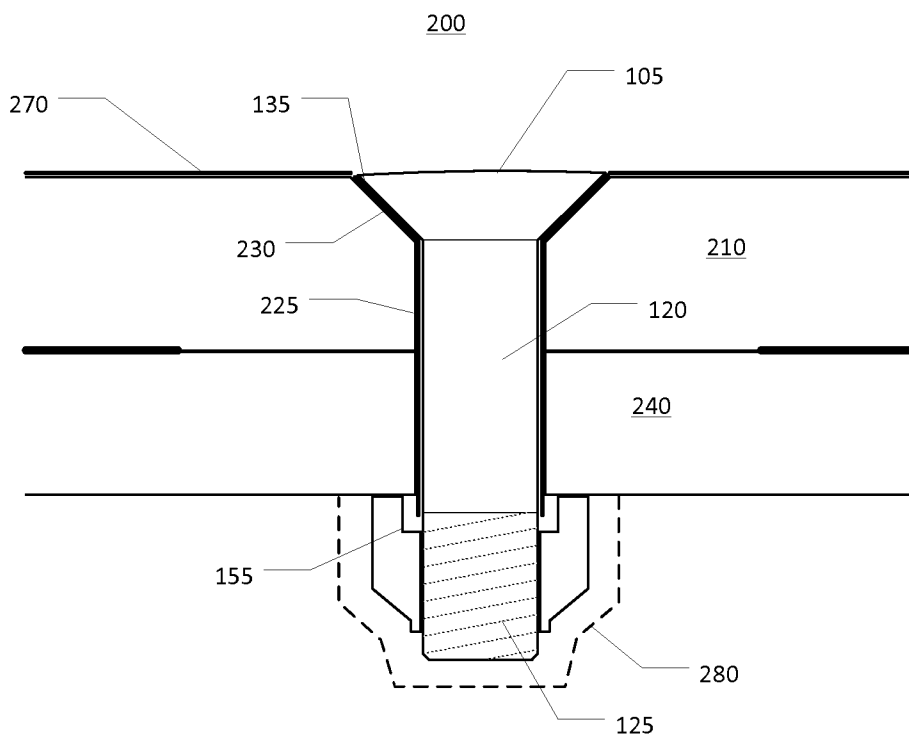


FIG. 1C

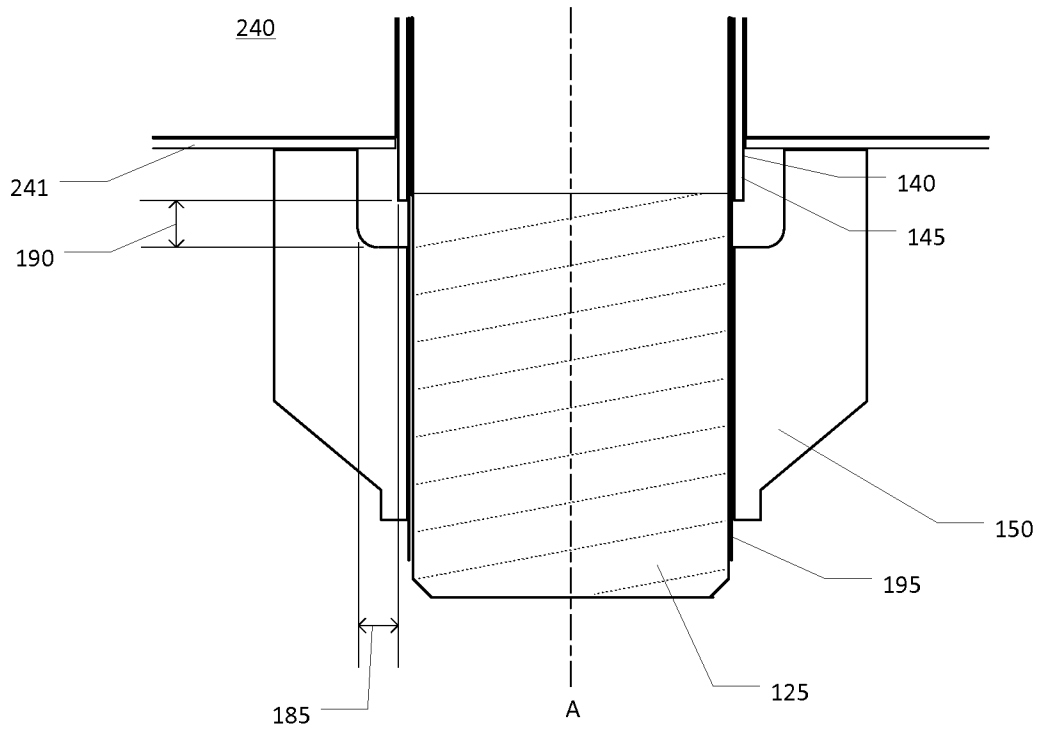


FIG. 2

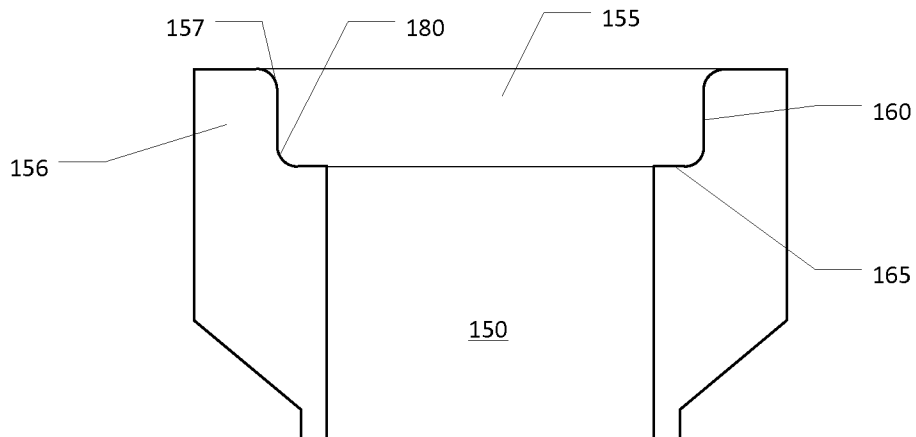


FIG. 3

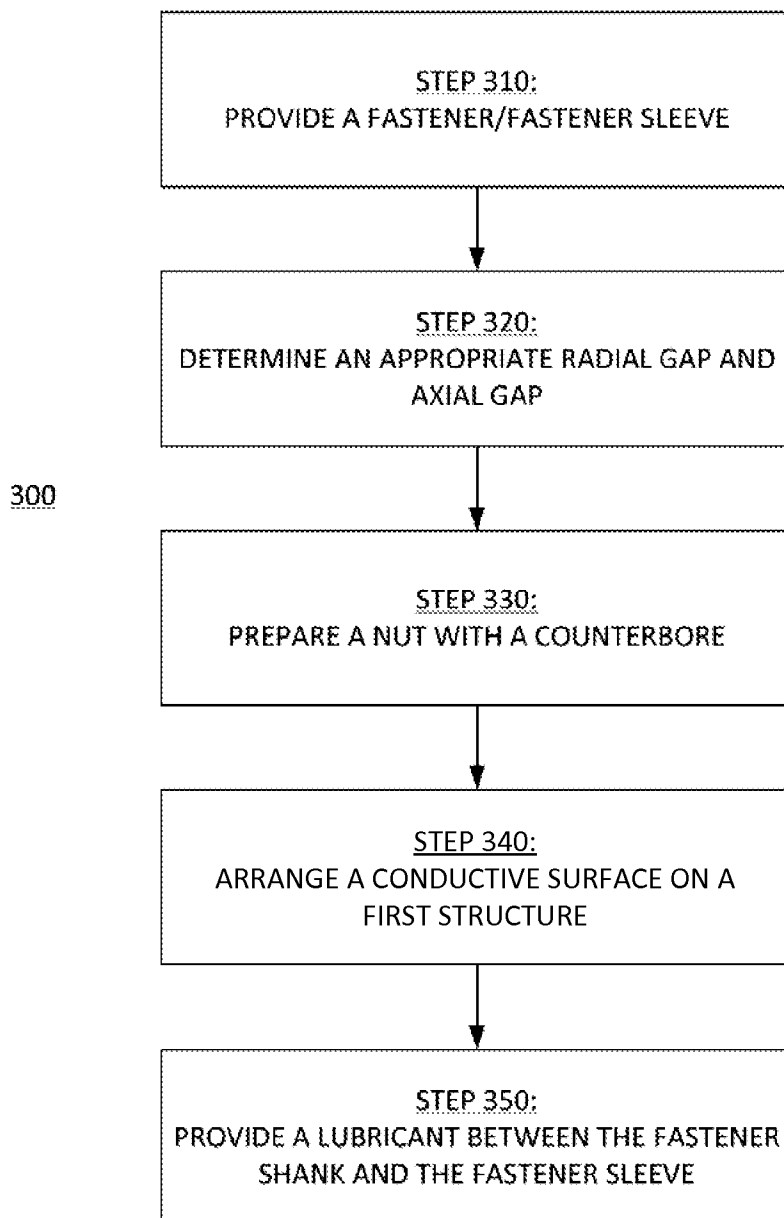
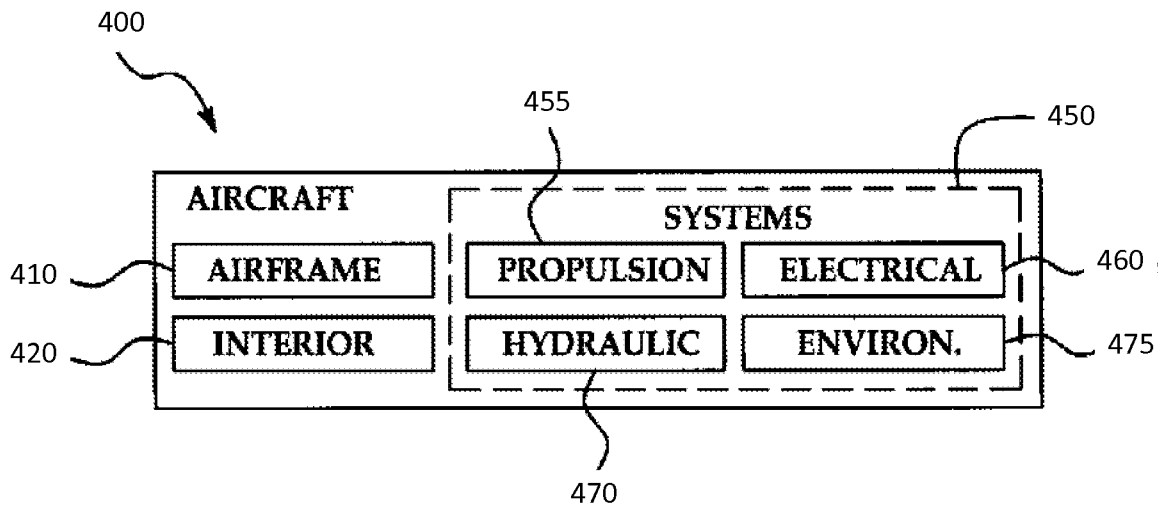


FIG. 4



INTERNATIONAL SEARCH REPORT

International application No PCT/US2013/077087

A. CLASSIFICATION OF SUBJECT MATTER
 INV. B64D45/02 F16B1/00
 ADD.

According to International Patent Classification (IPC) or to both national classification and IPC

B. FIELDS SEARCHED

Minimum documentation searched (classification system followed by classification symbols)
 B64D F16B

Documentation searched other than minimum documentation to the extent that such documents are included in the fields searched

Electronic data base consulted during the international search (name of data base and, where practicable, search terms used)

EPO-Internal, WPI Data

C. DOCUMENTS CONSIDERED TO BE RELEVANT

Category*	Citation of document, with indication, where appropriate, of the relevant passages	Relevant to claim No.
X	EP 1 903 221 A2 (ALCOA GLOBAL FASTENERS INC [US]) 26 March 2008 (2008-03-26) figure 3 column 58 - column 59 -----	1-14
X	WO 87/05976 A1 (HUCK MFG CO [US]) 8 October 1987 (1987-10-08) figures 1a-1c page 6, lines 17-28 -----	1,2,7,8, 10,13
A	US 2010/124472 A1 (NGUYEN THU A [US] ET AL) 20 May 2010 (2010-05-20) paragraph [0015] -----	1,4,8,14
A	WO 2011/050040 A1 (ALCOA INC [US]; HAYLOCK LUKE [US]; PINHEIRO RODRIGO [US]; MULAZIMOGLU) 28 April 2011 (2011-04-28) abstract paragraph [0075] -----	1,8

Further documents are listed in the continuation of Box C.

See patent family annex.

* Special categories of cited documents :

"A" document defining the general state of the art which is not considered to be of particular relevance

"E" earlier application or patent but published on or after the international filing date

"L" document which may throw doubts on priority claim(s) or which is cited to establish the publication date of another citation or other special reason (as specified)

"O" document referring to an oral disclosure, use, exhibition or other means

"P" document published prior to the international filing date but later than the priority date claimed

"T" later document published after the international filing date or priority date and not in conflict with the application but cited to understand the principle or theory underlying the invention

"X" document of particular relevance; the claimed invention cannot be considered novel or cannot be considered to involve an inventive step when the document is taken alone

"Y" document of particular relevance; the claimed invention cannot be considered to involve an inventive step when the document is combined with one or more other such documents, such combination being obvious to a person skilled in the art

"&" document member of the same patent family

Date of the actual completion of the international search

20 February 2014

Date of mailing of the international search report

28/02/2014

Name and mailing address of the ISA/
 European Patent Office, P.B. 5818 Patentlaan 2
 NL - 2280 HV Rijswijk
 Tel. (+31-70) 340-2040,
 Fax: (+31-70) 340-3016

Authorized officer

Pedersen, Kenneth

INTERNATIONAL SEARCH REPORT

Information on patent family members

International application No PCT/US2013/077087

Patent document cited in search report	Publication date	Patent family member(s)	Publication date
EP 1903221	A2	26-03-2008	AT 503935 T 15-04-2011
			AU 2007216793 A1 10-04-2008
			BR PI0703097 A2 21-07-2009
			CA 2603635 A1 21-03-2008
			CN 101153623 A 02-04-2008
			DE 202007019163 U1 05-01-2011
			EP 1903221 A2 26-03-2008
			ES 2361197 T3 14-06-2011
			JP 5044344 B2 10-10-2012
			JP 2008075876 A 03-04-2008
			JP 2012189222 A 04-10-2012
			KR 20080027210 A 26-03-2008
			US 2008075555 A1 27-03-2008
			US 2010278616 A1 04-11-2010
			WO 2008036666 A2 27-03-2008

WO 8705976	A1	08-10-1987	EP 0299976 A1 25-01-1989
			ES 2004279 A6 16-12-1988
			IL 81917 A 15-01-1992
			JP H01502285 A 10-08-1989
			WO 8705976 A1 08-10-1987

US 2010124472	A1	20-05-2010	US 2010124472 A1 20-05-2010
			US 2013111742 A1 09-05-2013

WO 2011050040	A1	28-04-2011	CN 102042288 A 04-05-2011
			CN 202023812 U 02-11-2011
			DE 202010017260 U1 26-08-2011
			EP 2470798 A1 04-07-2012
			JP 2013508646 A 07-03-2013
			KR 20120060916 A 12-06-2012
			US 2011142567 A1 16-06-2011
			WO 2011050040 A1 28-04-2011
