



- (51) International Patent Classification:  
B24D 18/00 (2006.01)
- (21) International Application Number:  
PCT/US2013/026015
- (22) International Filing Date:  
14 February 2013 (14.02.2013)
- (25) Filing Language: English
- (26) Publication Language: English
- (30) Priority Data:  
61/598,476 14 February 2012 (14.02.2012) US
- (71) Applicant: **INNOPAD, INC.** [US/US]; 265 Ballardvale Street, Unit #2, Wilmington, Massachusetts 01887 (US).
- (72) Inventors: **ALDEBORGH, John Erik**; 56 Boren Lane, Boxford, Massachusetts 01921 (US). **RENTELN, Peter**; 238 Andover St., Danvers, Massachusetts 01923 (US). **DOLAN, Robert P.**; 14 Carr Hill Rd., Windham, New Hampshire 03087 (US).
- (74) Agents: **GROSSMAN, Steven J.** et al.; Grossman, Tucker, Perreault & Pflieger, 55 S. Commercial Street, Manchester, New Hampshire 03101 (US).
- (81) Designated States (unless otherwise indicated, for every kind of national protection available): AE, AG, AL, AM,

AO, AT, AU, AZ, BA, BB, BG, BH, BN, BR, BW, BY, BZ, CA, CH, CL, CN, CO, CR, CU, CZ, DE, DK, DM, DO, DZ, EC, EE, EG, ES, FI, GB, GD, GE, GH, GM, GT, HN, HR, HU, ID, IL, IN, IS, JP, KE, KG, KM, KN, KP, KR, KZ, LA, LC, LK, LR, LS, LT, LU, LY, MA, MD, ME, MG, MK, MN, MW, MX, MY, MZ, NA, NG, NI, NO, NZ, OM, PA, PE, PG, PH, PL, PT, QA, RO, RS, RU, RW, SC, SD, SE, SG, SK, SL, SM, ST, SV, SY, TH, TJ, TM, TN, TR, TT, TZ, UA, UG, US, UZ, VC, VN, ZA, ZM, ZW.

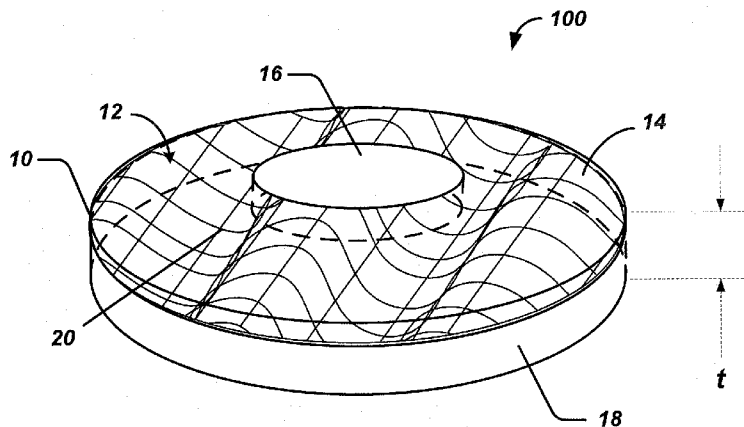
- (84) Designated States (unless otherwise indicated, for every kind of regional protection available): ARIPO (BW, GH, GM, KE, LR, LS, MW, MZ, NA, RW, SD, SL, SZ, TZ, UG, ZM, ZW), Eurasian (AM, AZ, BY, KG, KZ, RU, TJ, TM), European (AL, AT, BE, BG, CH, CY, CZ, DE, DK, EE, ES, FI, FR, GB, GR, HR, HU, IE, IS, IT, LT, LU, LV, MC, MK, MT, NL, NO, PL, PT, RO, RS, SE, SI, SK, SM, TR), OAPI (BF, BJ, CF, CG, CI, CM, GA, GN, GQ, GW, ML, MR, NE, SN, TD, TG).

**Published:**

— with international search report (Art. 21(3))

- (88) Date of publication of the international search report:  
18 June 2015

(54) Title: METHOD OF MANUFACTURING A CHEMICAL MECHANICAL PLANARIZATION PAD



**FIG. 1**

(57) Abstract: The present disclosure relates to a process for forming a chemical mechanical planarization pad. The process includes forming a chemical mechanical planarization pad including a polymer matrix and an embedded structure by heating the polymer matrix and the embedded structure at a first temperature T1 and a first pressure P1. The chemical mechanical planarization pad is then allowed to deform at a second temperature T2 and a second pressure P2. The chemical mechanical planarization pad is then compressed at given mold cavity thickness by applying heat at a third temperature T3, wherein T1 > T2, P1 > P2, T1 ≤ T3.



**INTERNATIONAL SEARCH REPORT**

International application No.  
PCT/US2013/026015

**A. CLASSIFICATION OF SUBJECT MATTER**  
IPC(8) - B24D 18/00 (2013.01)  
USPC - 264/226  
According to International Patent Classification (IPC) or to both national classification and IPC

**B. FIELDS SEARCHED**  
Minimum documentation searched (classification system followed by classification symbols)  
IPC(8) - B24D 18/00 (2013.01)  
USPC - 264/219,225,226

Documentation searched other than minimum documentation to the extent that such documents are included in the fields searched  
CPC - B24D 18/0009

Electronic data base consulted during the international search (name of data base and, where practicable, search terms used)  
Orbit, Google Patent, Google Scholar, Google

**C. DOCUMENTS CONSIDERED TO BE RELEVANT**

Category*	Citation of document, with indication, where appropriate, of the relevant passages	Relevant to claim No.
Y	US 2008/0085661 A1 (HSU et al) 10 April 2008 (10.04.2008) entire document	1-16
Y	US 2009/0258588 A1 (HSU et al) 15 October 2009 (15.10.2009) entire document	1-16
Y	US 2009/0170413 A1 (HSU et al) 2 July 2009 (02.07.2009) entire document	15
A	US 2002/0182867 A1 (KAJIWARA et al) 5 December 2002 (05.12.2002) entire document	1-16
A	US 7,048,610 B1 (TREGUB et al) 23 May 2006 (23.05.2006) entire document	1-16
A	US 2011/0171883 A1 (ALLISON et al) 14 July 2011 (14.07.2011) entire document	1-16

Further documents are listed in the continuation of Box C.

\* Special categories of cited documents:  
 "A" document defining the general state of the art which is not considered to be of particular relevance  
 "E" earlier application or patent but published on or after the international filing date  
 "L" document which may throw doubts on priority claim(s) or which is cited to establish the publication date of another citation or other special reason (as specified)  
 "O" document referring to an oral disclosure, use, exhibition or other means  
 "P" document published prior to the international filing date but later than the priority date claimed  
 "T" later document published after the international filing date or priority date and not in conflict with the application but cited to understand the principle or theory underlying the invention  
 "X" document of particular relevance; the claimed invention cannot be considered novel or cannot be considered to involve an inventive step when the document is taken alone  
 "Y" document of particular relevance; the claimed invention cannot be considered to involve an inventive step when the document is combined with one or more other such documents, such combination being obvious to a person skilled in the art  
 "&" document member of the same patent family

Date of the actual completion of the international search 04 April 2013	Date of mailing of the international search report <b>26 APR 2013</b>
--	--

Name and mailing address of the ISA/US Mail Stop PCT, Attn: ISA/US, Commissioner for Patents P.O. Box 1450, Alexandria, Virginia 22313-1450 Facsimile No. 571-273-3201	Authorized officer: Blaine R. Copenheaver PCT Helpdesk: 571-272-4300 PCT OSP: 571-272-7774
---	---