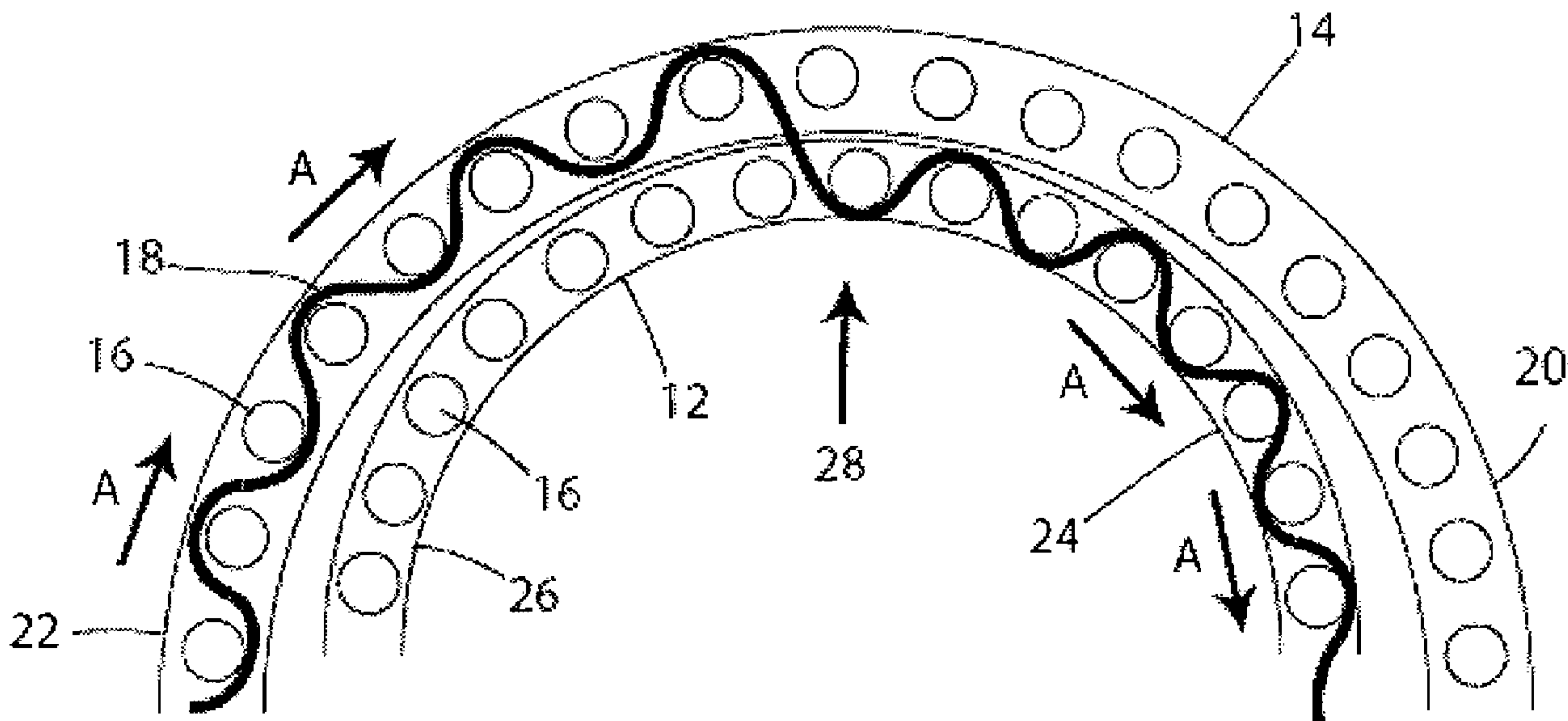




(86) Date de dépôt PCT/PCT Filing Date: 2009/01/15  
 (87) Date publication PCT/PCT Publication Date: 2009/09/11  
 (45) Date de délivrance/Issue Date: 2012/12/18  
 (85) Entrée phase nationale/National Entry: 2010/08/27  
 (86) N° demande PCT/PCT Application No.: US 2009/031145  
 (87) N° publication PCT/PCT Publication No.: 2009/111100  
 (30) Priorité/Priority: 2008/02/29 (US12/040,596)

(51) Cl.Int./Int.Cl. *F16L 57/00* (2006.01),  
*F16L 59/00* (2006.01), *F16L 59/04* (2006.01),  
*F16L 59/10* (2006.01)  
 (72) Inventeur/Inventor:  
 RUSSELL, TIMOTHY M., US  
 (73) Propriétaire/Owner:  
 YKK CORPORATION OF AMERICA, US  
 (74) Agent: GOWLING LAFLEUR HENDERSON LLP

(54) Titre : ENVELOPPE DE TUYAU SOUPLE A VISIBILITE DIRECTE  
 (54) Title: LINE OF SIGHT HOSE COVER



(57) Abrégé/Abstract:

A hose cover for a high pressure hose is disclosed. The hose cover includes an outer sheath and an inner sheath disposed within the outer sheath. The inner and outer sheaths have a woven construction, each have a plurality of warp threads, and a weft thread that it interwoven between the warp threads. The weft thread is woven between the warp threads of the inner and outer sheaths in a pattern such that weft thread is shared between the inner and outer sheath and the inner and outer sheaths are interwoven together.

## (12) INTERNATIONAL APPLICATION PUBLISHED UNDER THE PATENT COOPERATION TREATY (PCT)

(19) World Intellectual Property Organization  
International Bureau(43) International Publication Date  
11 September 2009 (11.09.2009)(10) International Publication Number  
**WO 2009/111100 A1**

## (51) International Patent Classification:

F16L 57/00 (2006.01) F16L 59/00 (2006.01)  
F16L 59/10 (2006.01) F16L 59/04 (2006.01)

## (21) International Application Number:

PCT/US2009/031145

## (22) International Filing Date:

15 January 2009 (15.01.2009)

## (25) Filing Language:

English

## (26) Publication Language:

English

## (30) Priority Data:

12/040,596 29 February 2008 (29.02.2008) US

(71) Applicant (for all designated States except US): **YKK CORPORATION OF AMERICA** [US/US]; One Parkway Center, 1850 Parkway Place, Suite 300, Marietta, GA 30067 (US).

## (72) Inventor; and

(75) Inventor/Applicant (for US only): **RUSSELL, Timothy, M.** [US/US]; 200 Tape Craft Drive, Oxford, AL 36203 (US).(74) Agent: **ROBINSON, Joseph, R.**; Darby & Darby P.C., P.O. Box 770, Church Street Station, New York, NY 10008-0770 (US).

(81) Designated States (unless otherwise indicated, for every kind of national protection available): AE, AG, AL, AM, AO, AT, AU, AZ, BA, BB, BG, BH, BR, BW, BY, BZ, CA, CH, CN, CO, CR, CU, CZ, DE, DK, DM, DO, DZ, EC, EE, EG, ES, FI, GB, GD, GE, GH, GM, GT, HN, HR, HU, ID, IL, IN, IS, JP, KE, KG, KM, KN, KP, KR, KZ, LA, LC, LK, LR, LS, LT, LU, LY, MA, MD, ME, MG, MK, MN, MW, MX, MY, MZ, NA, NG, NI, NO, NZ, OM, PG, PH, PL, PT, RO, RS, RU, SC, SD, SE, SG, SK, SL, SM, ST, SV, SY, TJ, TM, TN, TR, TT, TZ, UA, UG, US, UZ, VC, VN, ZA, ZM, ZW.

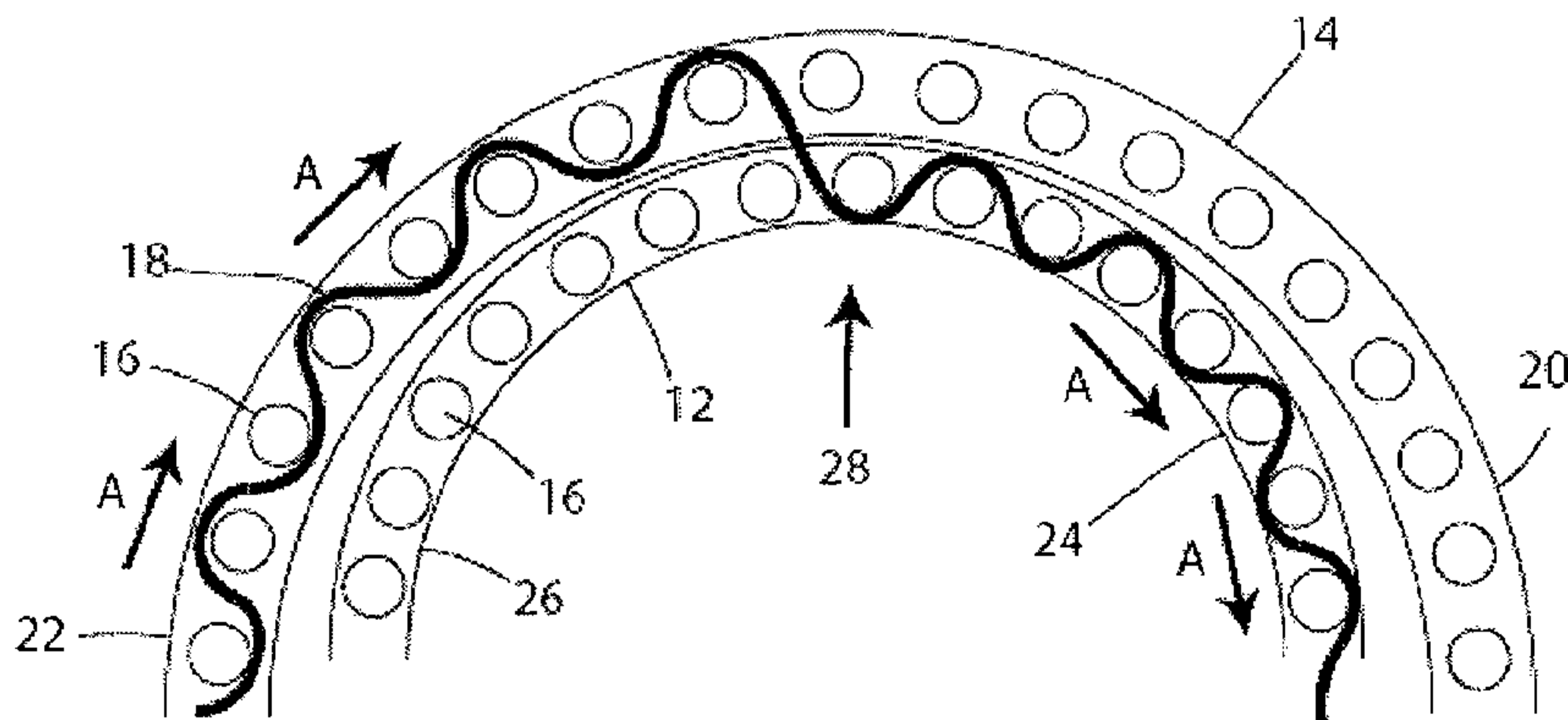
(84) Designated States (unless otherwise indicated, for every kind of regional protection available): ARIPO (BW, GH, GM, KE, LS, MW, MZ, NA, SD, SL, SZ, TZ, UG, ZM, ZW), Eurasian (AM, AZ, BY, KG, KZ, MD, RU, TJ, TM), European (AT, BE, BG, CH, CY, CZ, DE, DK, EE, ES, FI, FR, GB, GR, HR, HU, IE, IS, IT, LT, LU, LV, MC, MK, MT, NL, NO, PL, PT, RO, SE, SI, SK, TR), OAPI (BF, BJ, CF, CG, CI, CM, GA, GN, GQ, GW, ML, MR, NE, SN, TD, TG).

## Published:

- with international search report (Art. 21(3))
- before the expiration of the time limit for amending the claims and to be republished in the event of receipt of amendments (Rule 48.2(h))

(54) Title: LINE OF SIGHT HOSE COVER

Fig. 4A



(57) Abstract: A hose cover for a high pressure hose is disclosed. The hose cover includes an outer sheath and an inner sheath disposed within the outer sheath. The inner and outer sheaths have a woven construction, each have a plurality of warp threads, and a weft thread that is interwoven between the warp threads. The weft thread is woven between the warp threads of the inner and outer sheaths in a pattern such that the weft thread is shared between the inner and outer sheath and the inner and outer sheaths are interwoven together.

WO 2009/111100 A1

## LINE OF SIGHT HOSE COVER

This application claims priority to U.S. Serial No. 12/040,596, filed February 29,  
5 2008.

### **Field of the Invention**

The present invention generally relates to hose covers, and more specifically to a  
cover for a high-pressure hose.

10

### **Background of the Invention**

High-pressure hoses present a danger to persons located in the surrounding areas.  
High-pressure hoses, for example hydraulic hoses located on machinery, present a danger to  
persons around the machinery that are exposed when the hose fails under high pressure.

15

Typically, a high pressure hose has two modes of failure. The hose can  
catastrophically burst or rupture or can develop a small hole in the wall which can be  
described as a pin hole failure. A large area of the hose typically fails when the hose has a  
catastrophic burst failure. This type of failure can be described as explosive and a large  
amount of fluid under high pressure is released from the hose. Persons in the area  
20 surrounding the hose may have fluid sprayed on them. The fluid may be hot or toxic, which  
potentially can cause injury to persons exposed to the fluid. Further, the high pressure hoses  
may have a metal jacket or outer covering. During the rupture of the hose, pieces of the hose

can be ejected at high speed, turning into shrapnel having the potential to cause injury to persons in the area.

During a pin hole failure, a small hole develops in the wall of the high pressure hose. The rest of the hose remains intact and the fluid maintains a relatively high pressure. A high pressure jet of fluid is formed when fluid escapes from the hose through the pin hole at very high pressures. The high pressure jet has the potential to cause severe injury to surrounding personnel. The fluid escaping from a pin hole can result in the amputation of body parts. Also, the fluid jet can puncture the skin and can inject the fluid under the skin. The fluid injected under the skin, which may be oil, can cause severe injury, blood poisoning and/or require amputation of the affected body parts. Further, the fluid jet can puncture protective garments such gloves and result in the above injuries.

Thus, there is a need to protect personnel from catastrophic ruptures, pin hole failures, and other failures of high pressure hoses.

15

### **Summary of the Invention**

A hose cover for a high pressure hose is disclosed. The hose cover includes an outer sheath and an inner sheath disposed within the outer sheath. The inner and outer sheaths each have a woven construction and include a plurality of warp threads that extend in a longitudinal direction. A weft thread extends in a circumferential direction is woven between the warp threads. The weft thread is woven through the warp threads of the outer and inner sheaths such that the inner and outer sheaths have an interwoven construction.

### Brief Description of the Drawings

The foregoing and other features of the present invention will be more readily apparent from the following detailed description and drawings of illustrative embodiments of the invention in which:

5 FIG. 1 is a partial breakaway view showing a hose cover surrounding a hose according to an embodiment of the present invention;

FIG. 2 is a partial view illustrating the weave threads of the hose cover;

FIGS. 3A-3E are illustrating the weft pattern of the hose cover; and

10 FIGS. 4A-4B are close up views of the crossover points of FIGS. 3C and 3E respectively.

### Detailed Description of the Invention

Figure 1 is an illustration of a high pressure hose cover 10 according to an embodiment of the invention. The hose cover 10 consists of an inner sheath 12 and an outer sheath 14. The inner sheath 12 is disposed within the outer sheath 14, and when the hose cover 10 is in use, the high pressure hose 1 is disposed within the inner sheath 12. Thus, both the inner 12 and outer 14 sheaths surround the hose.

The inner 12 and outer 14 sheaths have a woven construction formed through the weaving of fibers. The fibers can be a number of different materials, such as synthetic materials including nylon, polyester and Kevlar™. Other materials may be selected depending on the type of fluid circulating in the hose or the operating environment in which the hose cover will be used. The material can be selected to help prevent the material of the

hose cover 10 from being degraded by the fluid or the environment in which the hose cover will be used. Further, the warp threads 16 of the inner sheath 12 and the warp threads 16 of the outer sheath 14, as well as weft thread 18, can have different diameters. The threads can also be made from different materials.

5           As shown in Fig. 2, the sheaths 12, 14 are constructed of longitudinal warp threads 16 and circumferential weft threads 18 that are woven between the warp threads 16. The weft threads 18 are woven in a pattern such that the inner sheath 12 is interwoven with the outer sheath 14. Figures 3A-3E show the weft pattern for the inner and outer sheaths.

10           Figure 3A illustrates the position of the wall of the inner and outer sheaths that are formed of the longitudinal warp threads 16 and the weft thread 18 that is woven in. The arrows A in Figs. 3B-3E indicate the direction of the weft thread pattern as the weft thread 18 is woven in from the knit edge 30, around the inner or outer sheaths, and back to the knit edge 30 as the hose cover is formed. As can be seen in Fig. 3B, the weft thread extends from a first side 20 of the outer sheath 14 to second side 22 of the outer sheath 14. Then, as  
15           illustrated in Fig. 3C, the weft thread 18 extends from the second side 22 of the outer sheath 14 to a first side 24 of the inner sheath 12. At the crossover point 28, the weft thread 18 crosses from the outer sheath 14 in to the inner sheath 12. Figure 4A is an illustrative magnified view that generally shows the weft thread 18 transitioning from the second side 22 of the outer sheath 14 to the first side 24 of the inner sheath 12 in one weaving pass of the  
20           weft thread (from weft insertion side 22 to the next weft insertion side 24). The weft thread 18 is woven between the warp threads 16 of the outer sheath. When the weft thread 18 reaches the crossover point 28 the weft thread 18 transitions to the inner sheath and is woven between the warp threads 16 of the inner sheath.

The weft thread 18 is then woven in from the first side 24 of the inner sheath 12 to a second side 26 of the inner sheath 12, as shown in Fig. 3D. The weft thread 18 then extends from the second side 26 of the inner sheath 12 and crosses over to the first side 20 of the outer sheath 14, as shown in Fig. 3E. Figure 4B is an illustrative magnified view that generally shows the weft thread 18 transitioning from the second side 26 of the inner sheath 12 to the first side 20 of the outer sheath 14 in one weaving pass of the weft thread (from weft insertion side 26 to the next weft insertion side 20). The weft thread 18 is woven between the warp threads 16 of the inner sheath. When the weft thread 18 reaches the crossover point 28 the weft thread 18 transitions to the outer sheath and is woven between the warp threads 16 of the outer sheath.

The above described pattern of the weft is repeated to continue forming the inner and outer sheaths. Thus, Figs. 3B-3E illustrate a four pass pattern. The weaving weft thread 18 creates layers where each successive pass of the weft thread is stacked onto the previous one. The repeated layering of the weft thread according to the four pass pattern creates the inner and outer sheaths of the hose cover.

The pattern the weft thread follows creates an inner sheath and an outer sheath that are interwoven with each other. The inner sheath is attached to the outer sheath at the knit edge 30 and at the crossover 28 where the weft thread crosses from the outer sheath 14 to the inner sheath 12 and from the inner sheath 12 to the outer sheath 14 due to the interweaving of the weft thread 18. The inner and outer sheaths do not have to be attached to each at any other points along their walls. The inner and outer sheaths are only attached at knit edge 30 and the crossover point 28 (or woven edge) where the weft crossover occurs. The knit edge 30 is also provided with a lock stitch thread to prevent the weave from unraveling. The

knitting pattern at the knit edge is known as a weaving system #3. Other weaving systems may also be used such as a system 5.

The inner 12 and outer 14 sheaths can be two separate “layers” that are interconnected at the crossover point 28 where the weft thread 18 crosses between the inner and outer sheaths to interweave them, and connected together at the knit edge 30 by the knitting of the weft thread. The inner 12 and outer 14 sheaths can also consist of four separate “layers,” first side 20 and second side 22 forming the outer sheath 14 and first side 24 and second side 26 forming the inner sheath 12. The four layers are connected along the woven edge at the crossover point 28 by the interweaving of the weft thread 18, and are connected along the opposite edge by the knitting of the weft thread at the knit edge 30.

The interweaving of the weft thread confers advantages to the hose cover’s resistance to failures of the high pressure hose. The four pass pattern that is shown in Figs. 3B-3E increases the burst resistance of the hose cover. The weft thread passes the knit and woven edges four times to complete the weaving pattern of the inner and outer sheaths. This increases the strength of both edges. Thus, the edges are more resistant to failure during an explosive rupture of a high pressure hose within the hose cover. The edges are less likely to fail during an explosive rupture of the of the high pressure hose because of the pattern of the weft thread. Further, the sharing of the weft thread between the inner and outer sheaths helps to transfer energy from the inner sheath to the outer sheath. When the high pressure hose bursts the inner sheath 12 is first exposed to that energy because the inner sheath 12 directly surrounds the hose 1. The energy of the burst is also partially transferred to and absorbed by the outer sheath 14 because the weft thread 18 is shared between the inner and outer sheaths 12, 14. Since the inner and outer sheaths are not connected except at the knit edge 30 and the crossover point 28 (woven edge), the inner sheath 12 is allowed to expand as the rupture in

the hose occurs, thereby absorbing some of the energy. As the inner sheath 12 expands and contacts the outer sheath 14 the remaining energy is transferred to the outer sheath, which further absorbs the energy of the ruptured hose. The outer sheath 14 also helps to protect the inner sheath 12 from abrasions.

5           The inner sheath 12 is formed with a high density weave. The fibers are woven at a high density to help absorb the energy of pin hole type failures of the high pressure hose. The diameter of the warp threads 16 of the inner sheath 12 may be smaller than the diameter of the warp threads 16 of the outer sheath 14 in order to achieve the higher density weave of the inner sheath. A high energy stream of fluid jets out when a small hole develops in the  
10 wall of the high pressure hose. The high pressure stream of fluid then contacts the inner sheath of the hose cover. The high density weave of the inner cover disperses the energy of the fluid stream. The high density weave prevents the separation of the fibers that would allow the fluid jet through the weave relatively unimpeded. When the stream impacts the high density weave of the inner sheath the stream is atomized or broken up and dispersed.  
15 The energy of the stream can also be absorbed by the inner sheath as the stream is dispersed. Thus, if fluid manages to pass through the inner sheath it escapes as a harmless low energy mist or seepage that is mostly contained by the outer sheath.

The inner 12 and outer 14 sheaths of the hose cover 10 are shown in Figs. 3A-3E as having a diameter that is larger than the diameter of the hose 1. The diameter of the inner  
20 sheath 12 can be made larger than the diameter of the hose 1 so that the hose 1 fits loosely in the inner sheath 12. An inner sheath 12 with a diameter larger than the diameter of the hose 1 would allow the hose cover 10 to be easily placed over the hose 1. Alternatively, the diameter of the inner sheath 12 can be made just slightly larger than the diameter of the hose 1 so that the hose 1 fits snugly in the inner sheath 12.

A hose cover having warp threads and a weft pattern as described above underwent testing to determine its effectiveness to contain a high pressure hose failure. According to one embodiment of the present invention, the warp material used for the outer sheath was 2780 D solution black AJT nylon. The warp material for the inner sheath was 1680 natural  
5 nylon T/6. The weft material was 420 d Solution black nylon. The outer sheath had a 101,470 total denier per inch of width in the warp direction, the inner sheath had a 61,320 total denier per inch of width in the warp direction, and the weft had a 87,360 total denier per inch of length. The combination used provides for a tighter, thinner weave for the inner sheath as compared to the outer sheath, giving the fabric of the inner sheath a very low  
10 permeability. The hose cover was placed around a hydraulic hose and underwent burst testing. The fluid pressure in the hose was consistently increased until the hose ruptured inside the hose cover. The hose cover remained intact and the energy of the escaping fluid was dissipated and the fluid harmlessly seeped out of the cover as desired. A conventional hose cover was also subjected to similar testing and failed. The cover was torn by escaping  
15 fluid at the place the hydraulic hose failed.

The hose cover according to the embodiment of the invention described above was also subjected to impulse testing to test the hose cover's resistance to pin hole type failures. A small hole having a diameter of approximately 0.038 inch was drilled into the wall of the hydraulic hose and a hose cover was then placed around the hydraulic hose. The fluid  
20 pressure inside the hose was cycled to a test pressure of 3,200 psi at a rate of 70 cycles per minute for 30 minutes with the fluid temperature at 212 °F. The hose cover remained intact with fluid seeping through the outer sheath of hose cover at low energy. A conventional hose cover was subjected to similar testing and the cover was completely penetrated by a jet of fluid exiting from the hole in the hydraulic hose and the jet exited at high pressure.

The hose cover 10 provides protection against both high energy bursting of a high pressure hose as well as small holes in the hose that allow high pressure streams to escape. The energy of these types of failures is absorbed by the weave and interweave of the hose cover. The fluid that is released by the failure of the hose can be allowed to seep through  
5 body of the cover around the area of the failure. The pooling of fluid alerts personnel of the hose failure without causing injury to personnel from the high energy release of fluid.

While the invention has been particularly shown and described with reference to preferred embodiments thereof, it will be understood by those skilled in the art that various changes in form and details may be made therein without departing from the spirit and scope  
10 of the invention.

What is claimed is:

1. A high pressure hose cover, comprising:
  - an outer sheath having a woven construction that includes a plurality of warp threads that extend in a longitudinal direction;
  - an inner sheath having a woven construction that includes a plurality of warp threads that extend in a longitudinal direction, the inner sheath being disposed within the outer sheath;
  - a weft thread that extends in a circumferential direction, wherein the weft thread is:
    - (i) interwoven between only the plurality of warp threads of the outer sheath along a first section of the cover;
    - (ii) interwoven between only the plurality of warp threads of the inner sheath along a second section of the cover; and
    - (iii) interwoven between the warp threads of the inner and outer sheaths in a pattern such that the weft thread is shared between the inner and outer sheaths along at least a first connection section and a second connection section of the sheath, wherein each of the first and the second connection sections includes at least one warp thread, andwherein, in the first connection section, the weft thread transitions from the first section to the second section and, in the second connection section, the weft thread transitions from the second section to the first section.
2. The high pressure hose cover according claim 1, wherein the pattern in which the weft thread is woven is from a first side of the outer sheath to a second side of the outer sheath, from a second side of the outer sheath to a first side of the inner sheath, from a first side of the inner sheath to a second side of the inner sheath, and from a second side of the inner sheath to a first side of the outer sheath.
3. The high pressure hose cover of claim 1, wherein, within the first section, the weft thread interweaves all of the warp threads of the outer sheath and, within the second section, the weft thread interweaves all of the warp threads of the inner sheath, and, within the connection section, the weft thread interweaves only one of the warp threads of the outer sheath with only one of the warp threads of the inner sheath.

4. The high pressure hose cover of claim 1, wherein each of the first and second connection sections includes at least one warp thread from the outer sheath and at least one warp thread from the inner sheath.

5. The high pressure hose cover of claim 1, wherein, in the first section, the weft thread interweaves each of the warp threads in the first section and wherein, in the second section, the weft thread interweaves each of the warp threads in the second section.

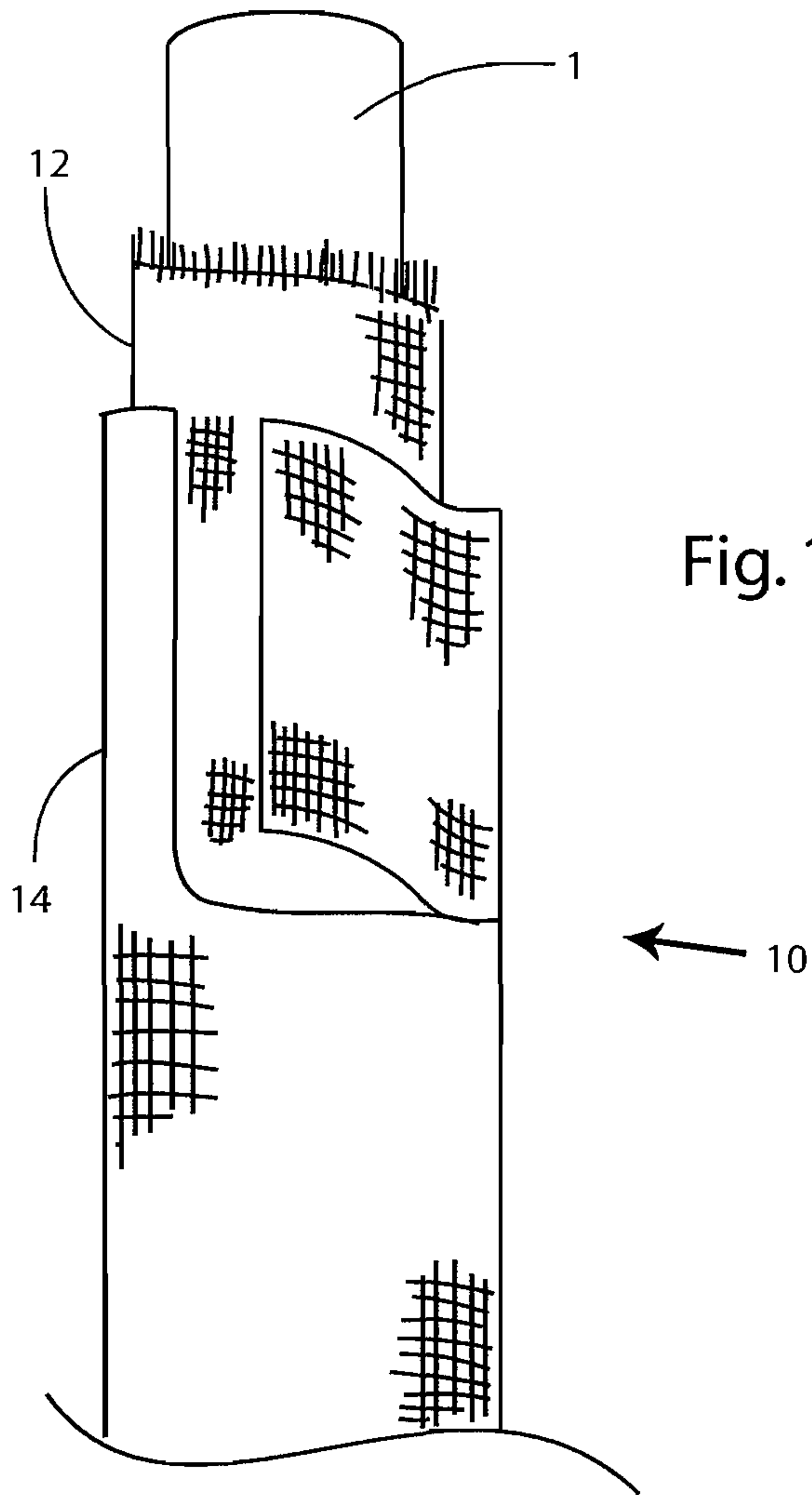


Fig. 1

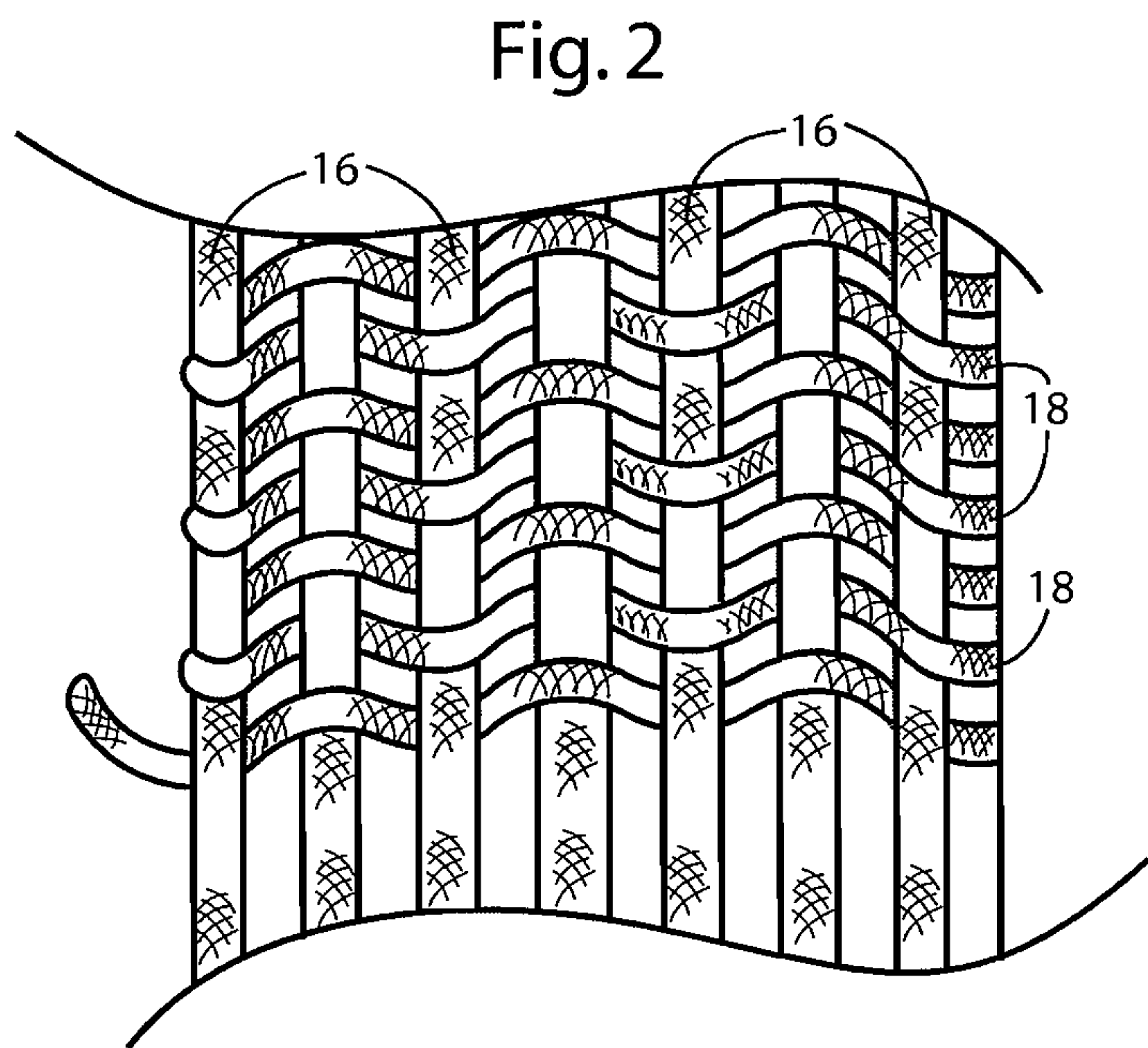
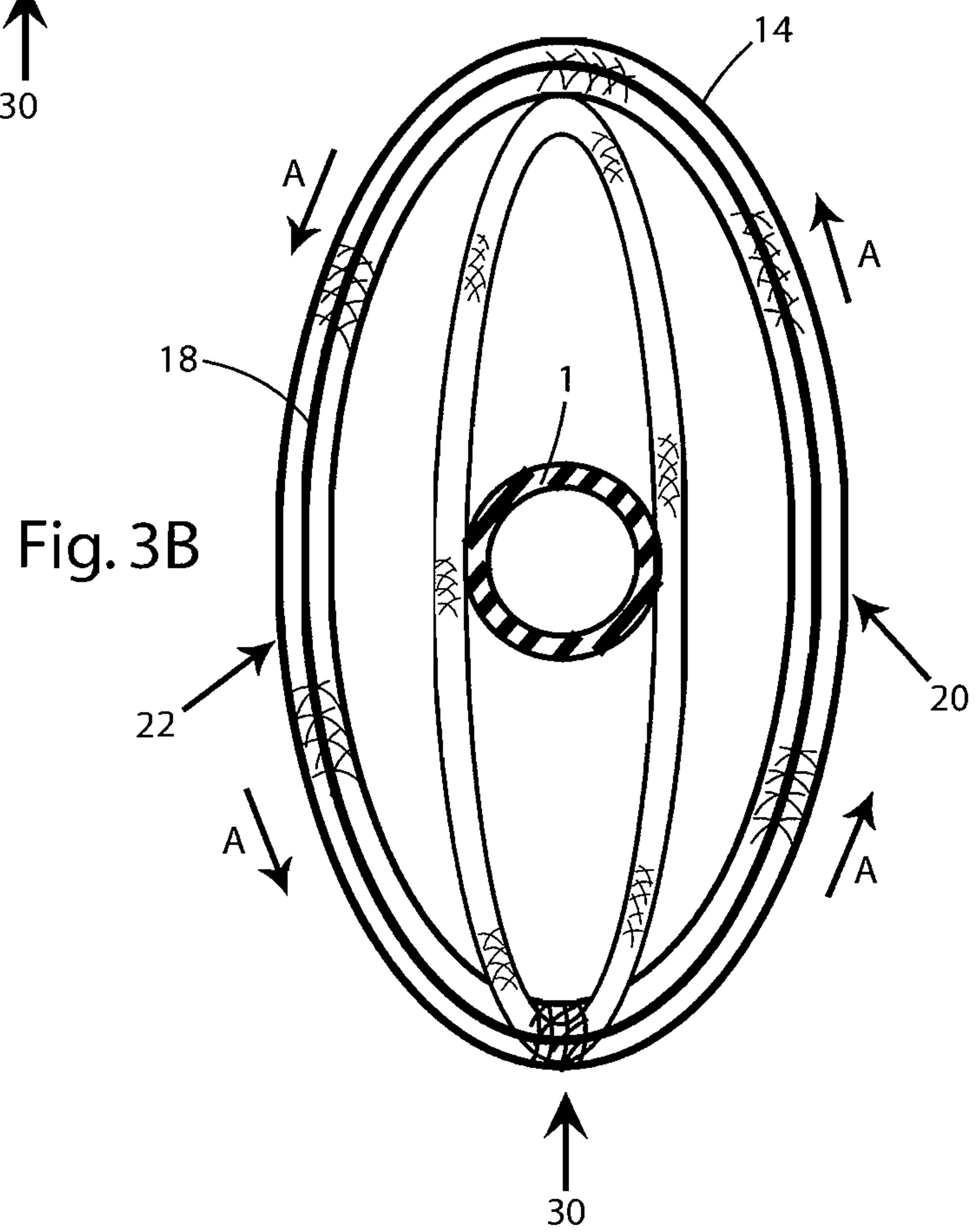
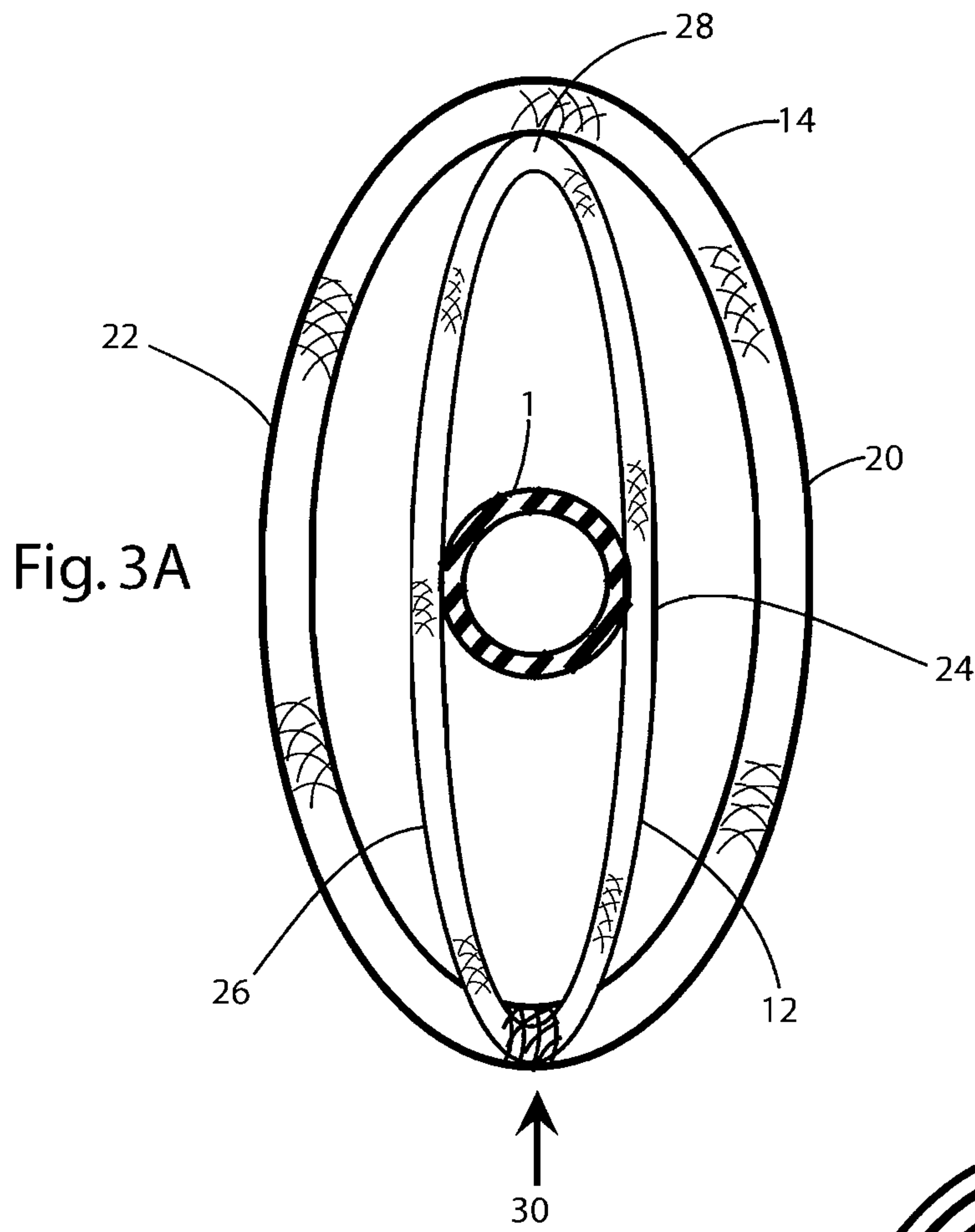
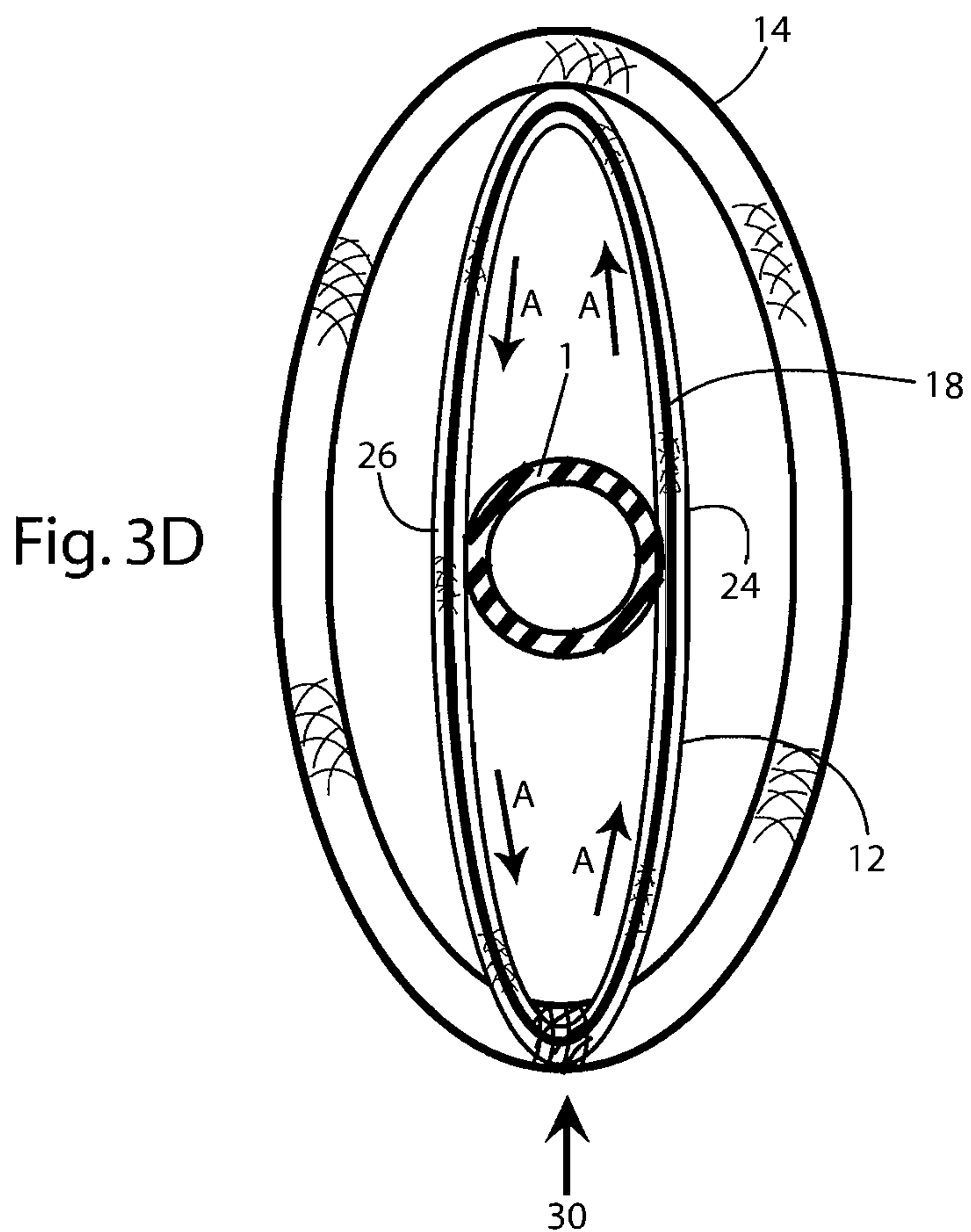
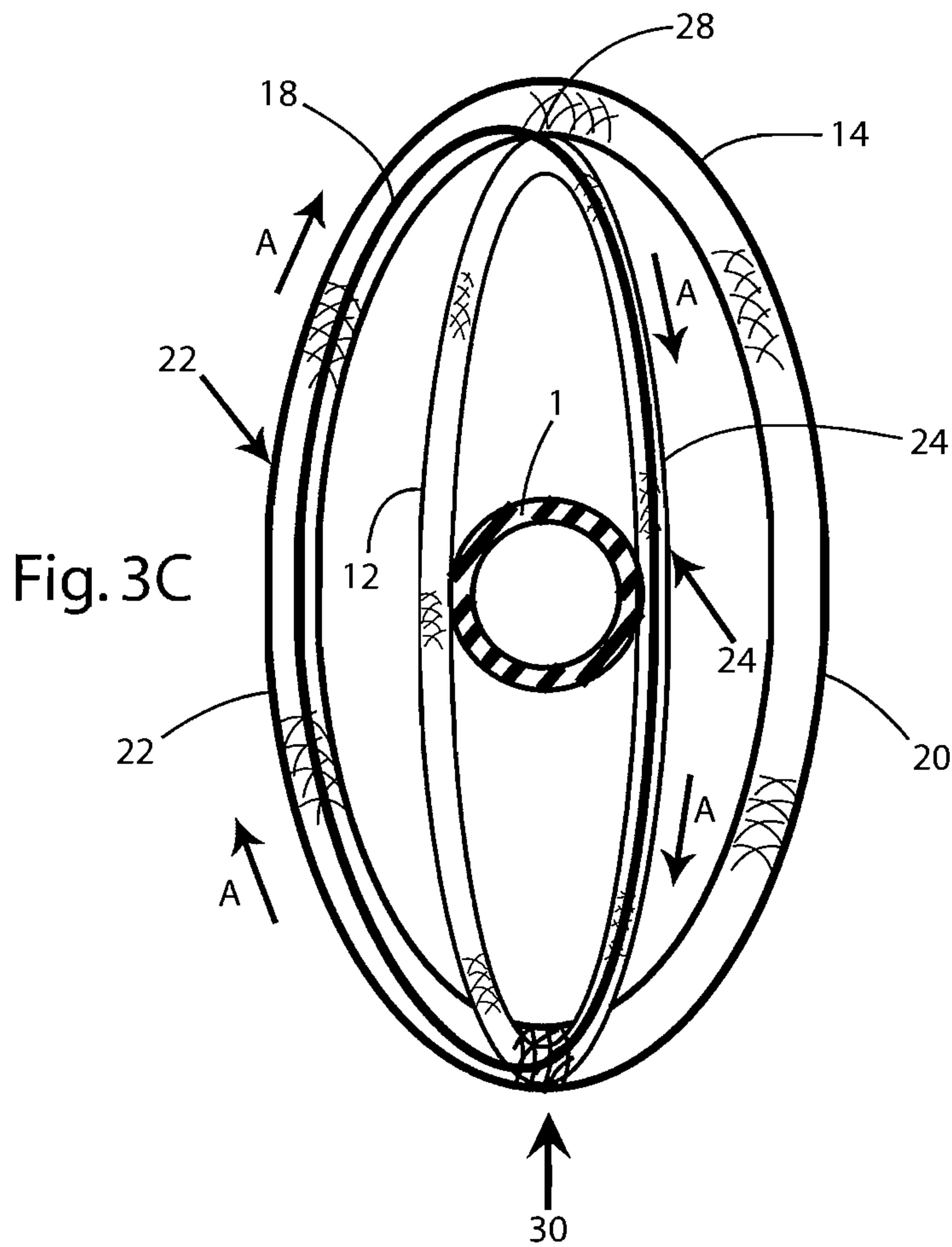


Fig. 2





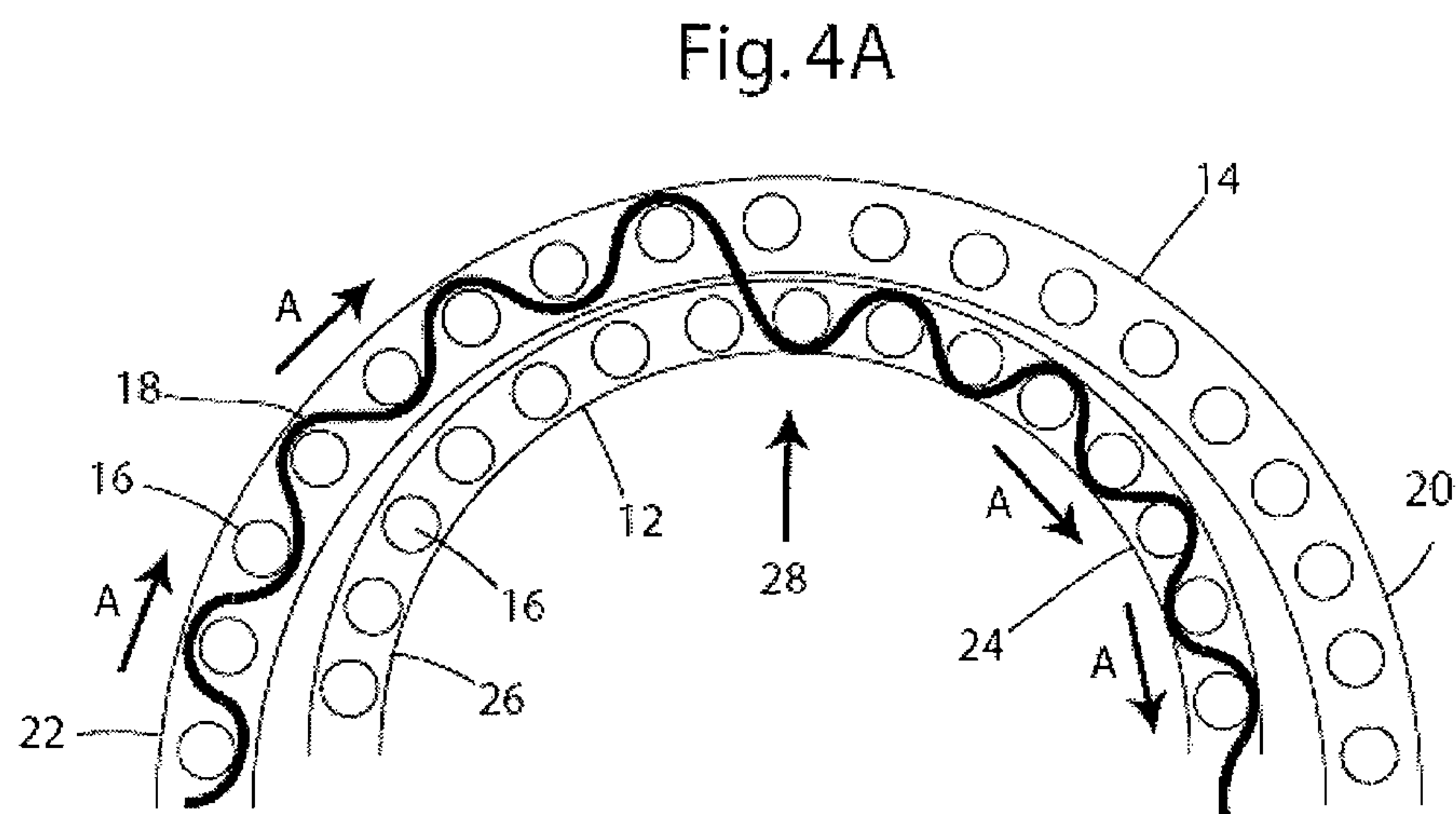
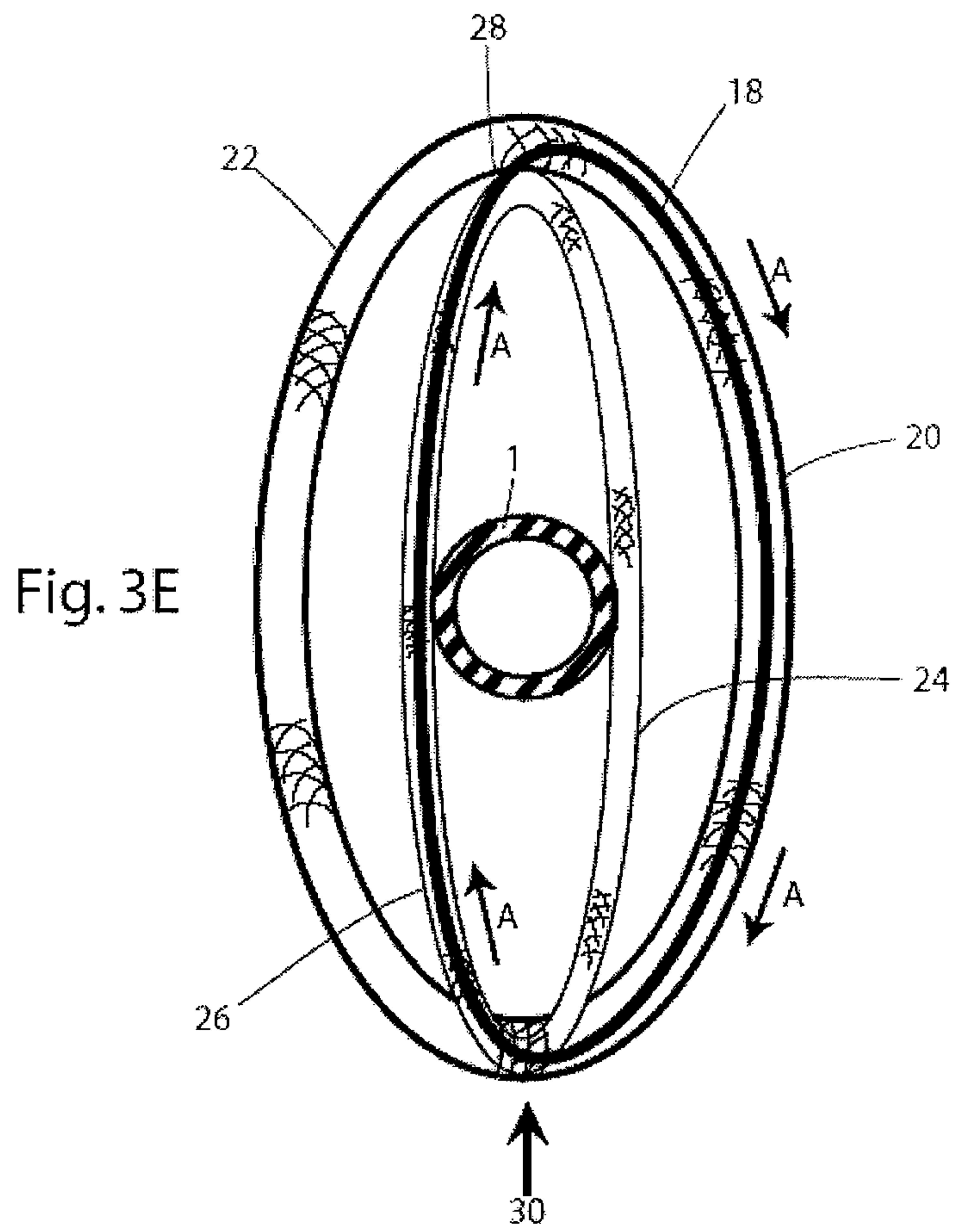


Fig. 4B

