



US00D737955S

(12) **United States Design Patent**
Lavoie

(10) **Patent No.:** **US D737,955 S**

(45) **Date of Patent:** **** Sep. 1, 2015**

(54) **GAS MASK WITH THERMAL SENSOR**

(71) Applicant: **BAE Systems Information And Electronic Systems Integration Inc., Nashua, NH (US)**

(72) Inventor: **Barry Lavoie, Lowell, MA (US)**

(73) Assignee: **BAE Systems Information and Electronic Systems Integration Inc., Nashua, NH (US)**

(**) Term: **14 Years**

(21) Appl. No.: **29/482,423**

(22) Filed: **Feb. 18, 2014**

Related U.S. Application Data

(63) Continuation-in-part of application No. 13/833,172, filed on Mar. 15, 2013.

(51) **LOC (10) Cl.** **29-02**

(52) **U.S. Cl.**
USPC **D24/110.2**

(58) **Field of Classification Search**
USPC D24/110.1-110.4; D29/103, 110; 128/206.12, 206.23, 206.24, 206.28, 128/205.27, 201.17, 201.22
CPC A62B 18/02; A62B 18/04; A62B 18/082; A62B 17/006; A62B 23/02; A62B 7/12; A62B 9/006; A62B 18/08; A62B 18/10
See application file for complete search history.

(56) **References Cited**

U.S. PATENT DOCUMENTS

2,898,908 A * 8/1959 Sovinsky 128/201.15
2,918,060 A * 12/1959 Lobelle 128/201.24
4,653,879 A 3/1987 Filipovich
4,655,562 A 4/1987 Kreitzer et al.

D304,384 S * 10/1989 Derobert D24/110.2
5,089,914 A * 2/1992 Prescott 359/815
5,200,827 A 4/1993 Hanson et al.

(Continued)

FOREIGN PATENT DOCUMENTS

JP 2011145578 1/2010

OTHER PUBLICATIONS

Survivair SCBA: Business & Industrial | eBay. (n.d.). Electronics, Cars, Fashion, Collectibles, Coupons and More Online Shopping | eBay. Retrieved Oct. 14, 2013, from <http://www.ebay.com/bhp/survivair-scba>.

(Continued)

Primary Examiner — Deanna L Pratt
Assistant Examiner — Lilyana Bekic
(74) *Attorney, Agent, or Firm* — Sand & Sebolt

(57) **CLAIM**

The ornamental design for gas mask with thermal sensor, as shown and described.

DESCRIPTION

FIG. 1 is a front elevation view of the gas mask with thermal sensor of the present invention.

FIG. 2 is a left side elevation view of the gas mask with thermal sensor.

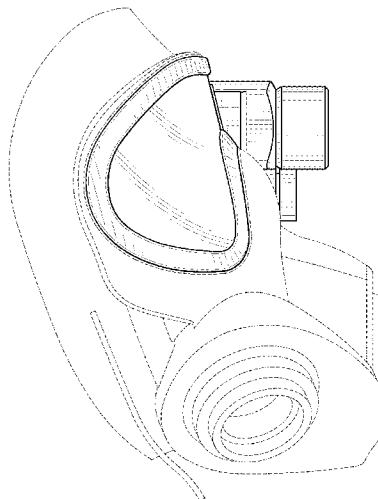
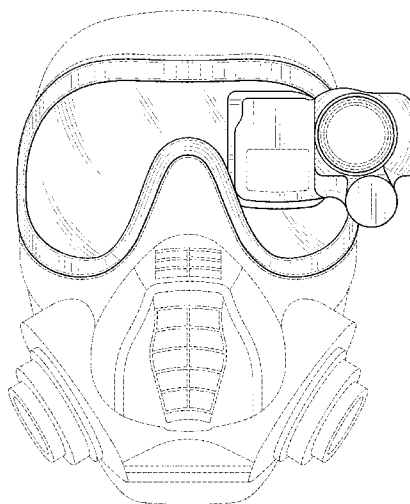
FIG. 3 is a right side elevation view of the gas mask with thermal sensor.

FIG. 4 is a top plan view of the gas mask with thermal sensor; and,

FIG. 5 is a bottom plan view of the gas mask with thermal sensor.

The broken lines illustrate portions of the gas mask with thermal sensor which form no part of the claimed design. The broken line showing of portions of the article immediately adjacent the shaded areas is included for the purpose of illustrating environmental structure with the lines themselves and the areas within forming no part of the claimed design.

1 Claim, 5 Drawing Sheets



(56)

References Cited

U.S. PATENT DOCUMENTS

5,379,140	A	1/1995	Michel et al.	
5,581,271	A	12/1996	Kraemer	
D378,610	S *	3/1997	Reischel et al.	D24/110.2
D431,585	S *	10/2000	Vance et al.	D16/312
6,160,666	A *	12/2000	Rallison et al.	359/630
6,567,220	B2 *	5/2003	McDonald et al.	359/630
6,717,737	B1 *	4/2004	Haglund	359/631
6,859,327	B2 *	2/2005	Del Bianco et al.	359/630
6,900,777	B1	5/2005	Hebert et al.	
7,170,058	B2 *	1/2007	Miyano et al.	250/330
7,245,273	B2	7/2007	Dickerson	
7,278,421	B2 *	10/2007	Hannah et al.	128/201.29
7,369,174	B2 *	5/2008	Olita et al.	348/373
7,460,304	B1 *	12/2008	Epstein et al.	359/618
D602,154	S *	10/2009	Ono et al.	D24/110.2
7,969,383	B2	6/2011	Eberl et al.	
8,028,700	B2 *	10/2011	Hannah et al.	128/206.28
D700,928	S *	3/2014	Lavoie	D16/309
D700,962	S *	3/2014	Lavoie	D24/110.2
D702,831	S *	4/2014	Lavoie	D24/110.2
D704,327	S *	5/2014	Lavoie	D24/110.2
D704,328	S *	5/2014	Lavoie	D24/110.2
8,720,437	B2 *	5/2014	Aubonnet et al.	128/202.27
D706,414	S *	6/2014	Lavoie	D24/110.2
2004/0144382	A1 *	7/2004	Alvey et al.	128/201.22

OTHER PUBLICATIONS

OES Products Group. (n.d.). OES Products Group. Retrieved Oct. 14, 2013, from <http://www.theoesgroup.com/>.

Air Soft Extreme. (n.d.). Air Soft Extreme. Retrieved Oct. 14, 2013, from www.airsoftextreme.com/store/index.php?main_page=product_info&cPath=254_671&products_id=6793&zenid=osl8ng6c6pmdvk5be62n0dem50.

MSA MSA Ultra Elite(TM) SCBA Respirator, S—Full Face Respirators—4AFU9110084690—Grainger Industrial Supply. (n.d.). Grainger Industrial Supply—MRO Supplies, MRO Equipment, Tools & Solutions. Retrieved Oct. 14, 2013, from <http://www.grainger.com/Grainger/MSA-Full-Face-Respirator-4AFU9>.

Dräger FPS-COM-PLUS. (n.d.). Home. Retrieved Oct. 14, 2013, from http://www.draeger.com/sites/enus_us/Pages/Oil-Gas-Industry/Draeger-FPS-COM-PLUS.aspx.

Arayem Trade—Scott Sabre self contained breathing apparatus. (n.d.). Arayem Trade—Home. Retrieved Oct. 14, 2013, from http://arayemtrade.com/sabre_self_contained_breathing_apparatus.

Paul Ridden, “World First GPS Goggles With Head Mounted Display,” *Wearable Electronics*, Oct. 8, 2010.

Scott British Army MoD General Service Gas Mask CBRN Respirator (GSR)—Product Code: AAAGAS-249—Retrieved Feb. 18, 2014 from <http://armygasmasks.com/Unissued-British-Army-GSR-General-Service-Gas-mask-p/aaagas-249.htm>.

* cited by examiner

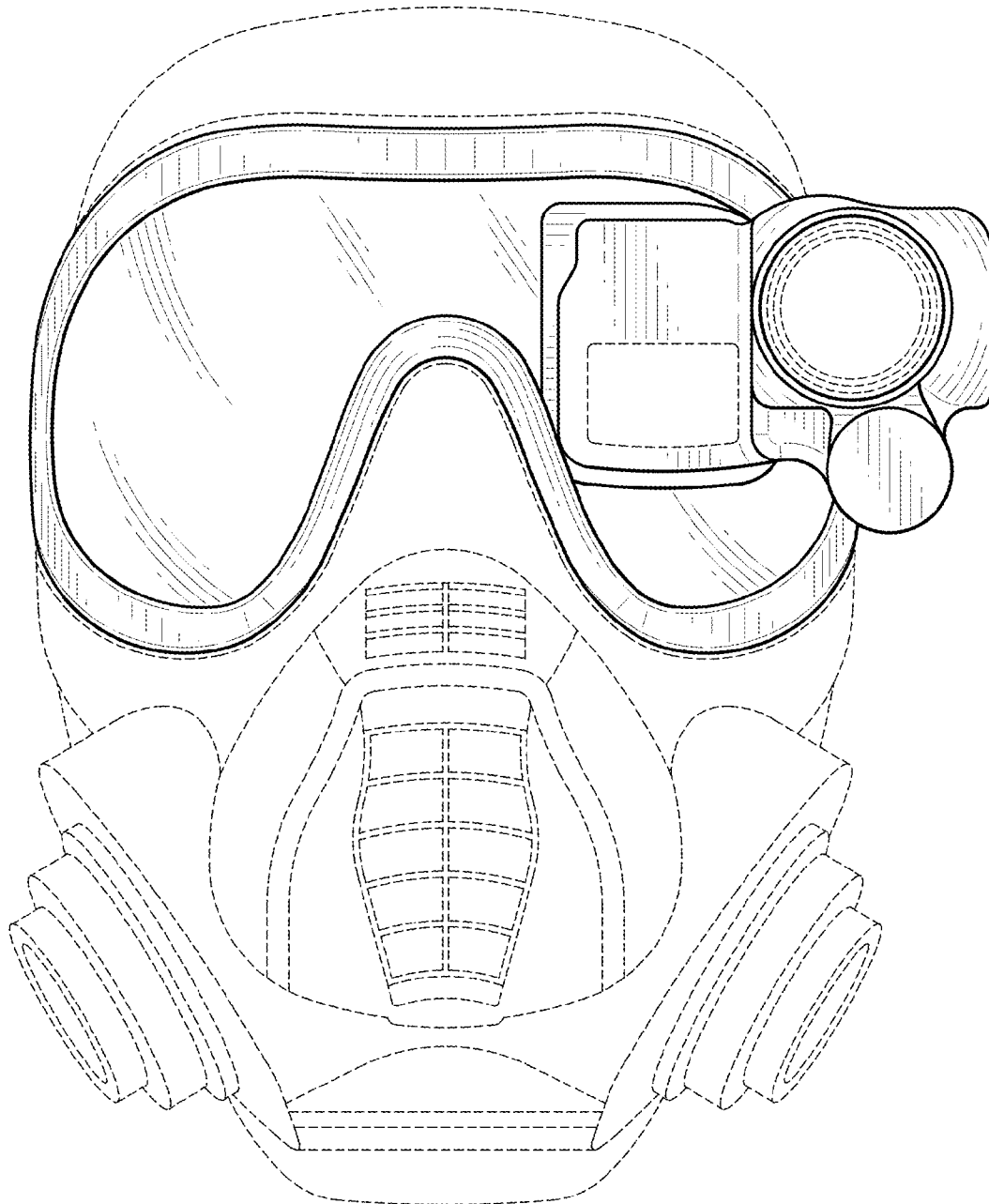


FIG-1

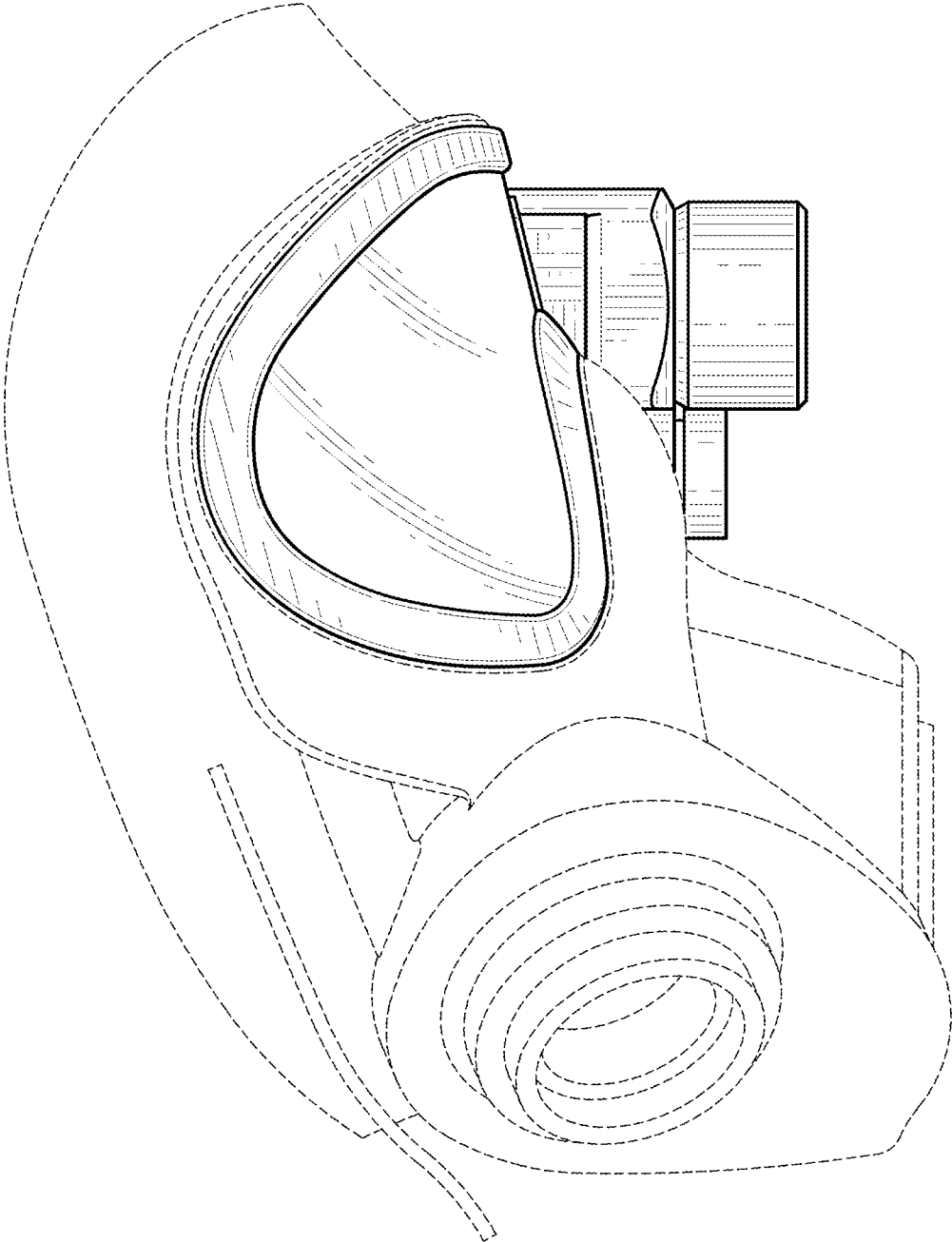


FIG-2

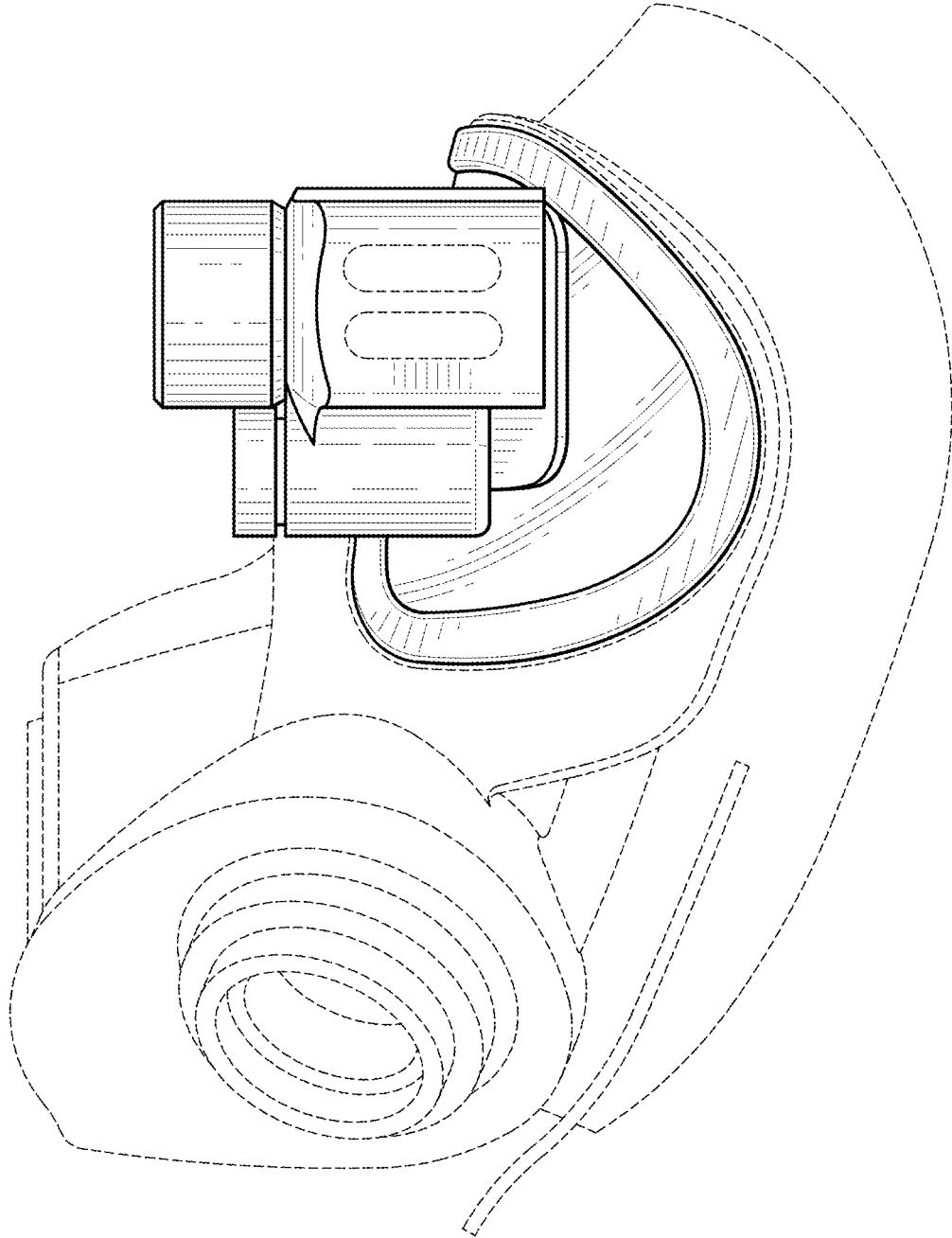


FIG-3

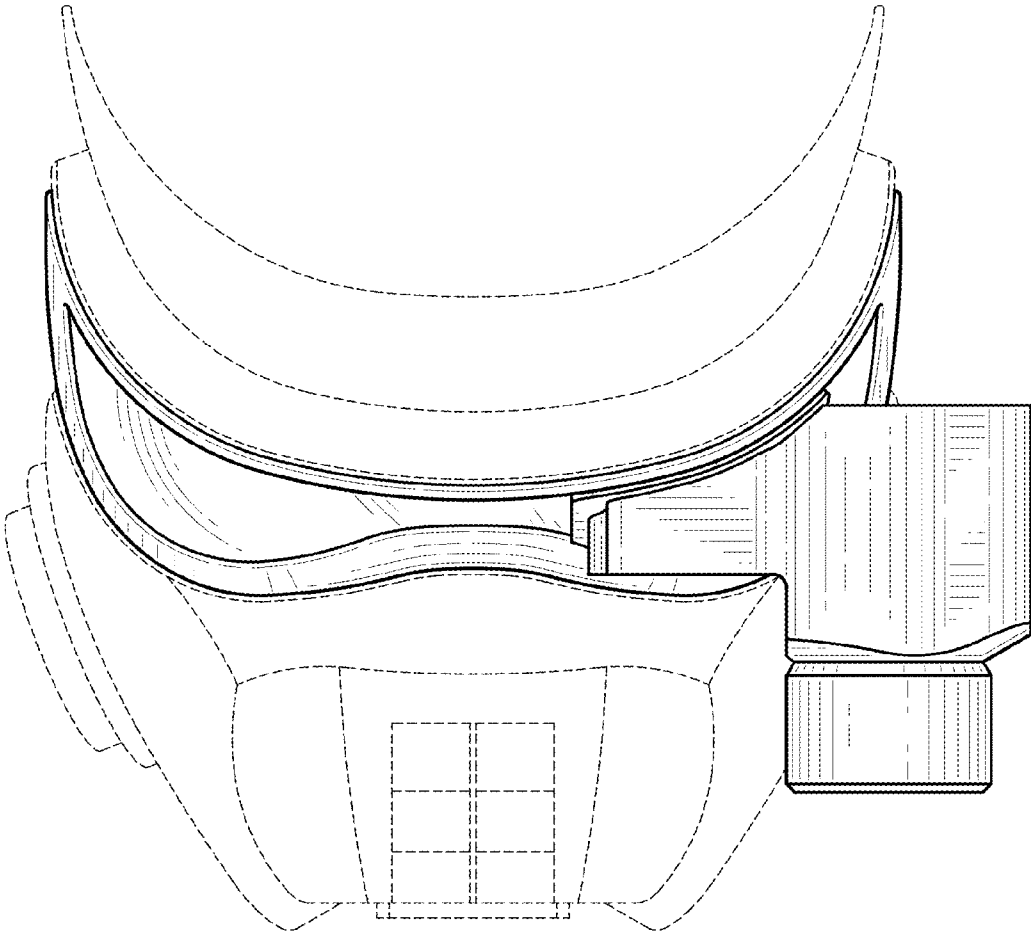


FIG-4

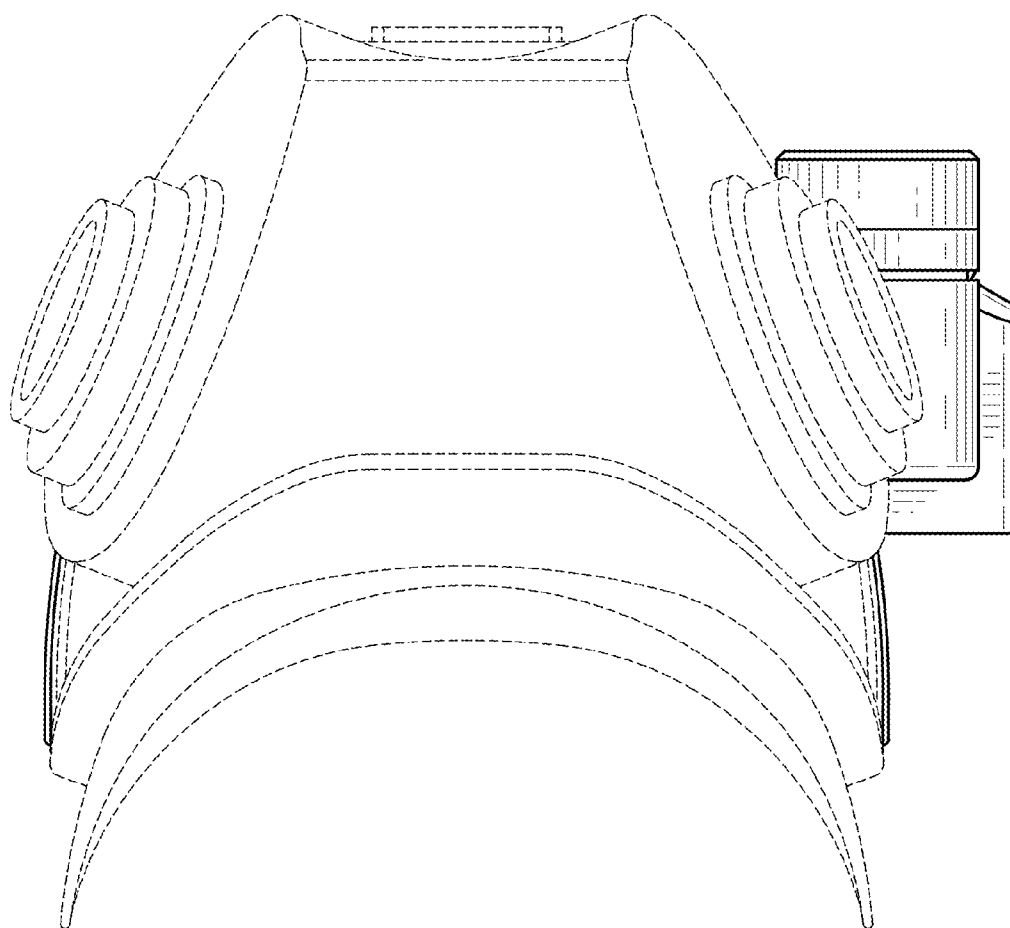


FIG-5