

FIG. 1
(PRIOR ART)

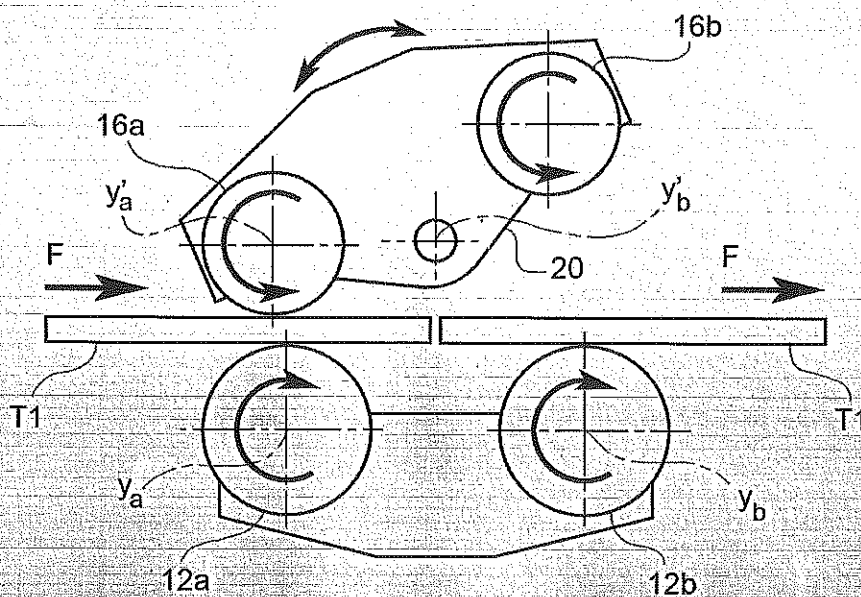


FIG. 2
(PRIOR ART)

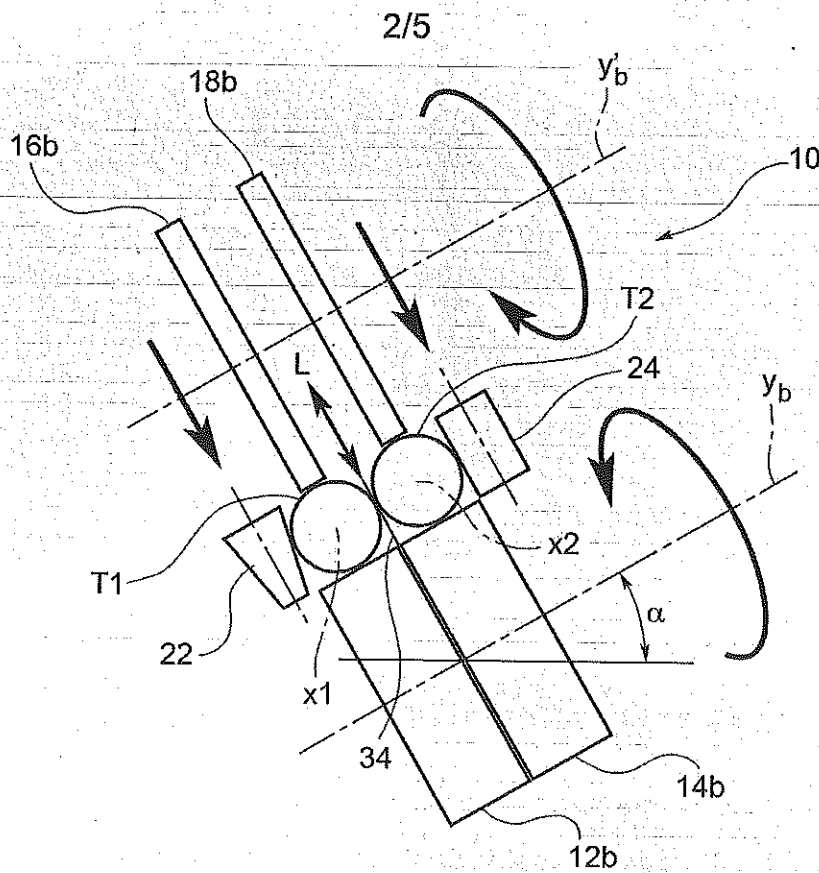


FIG. 3

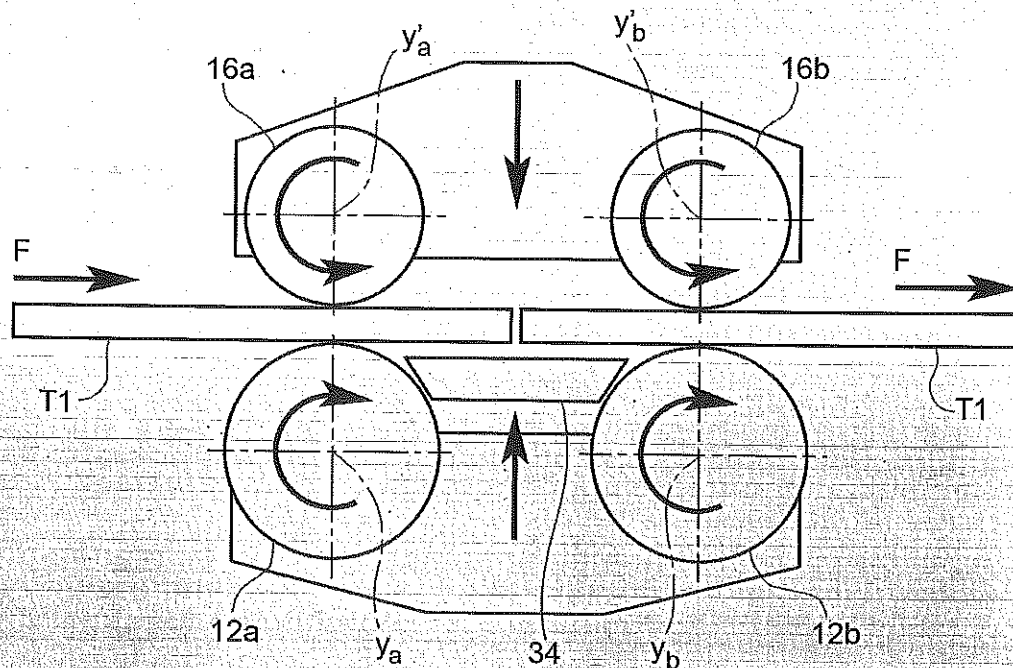


FIG. 4

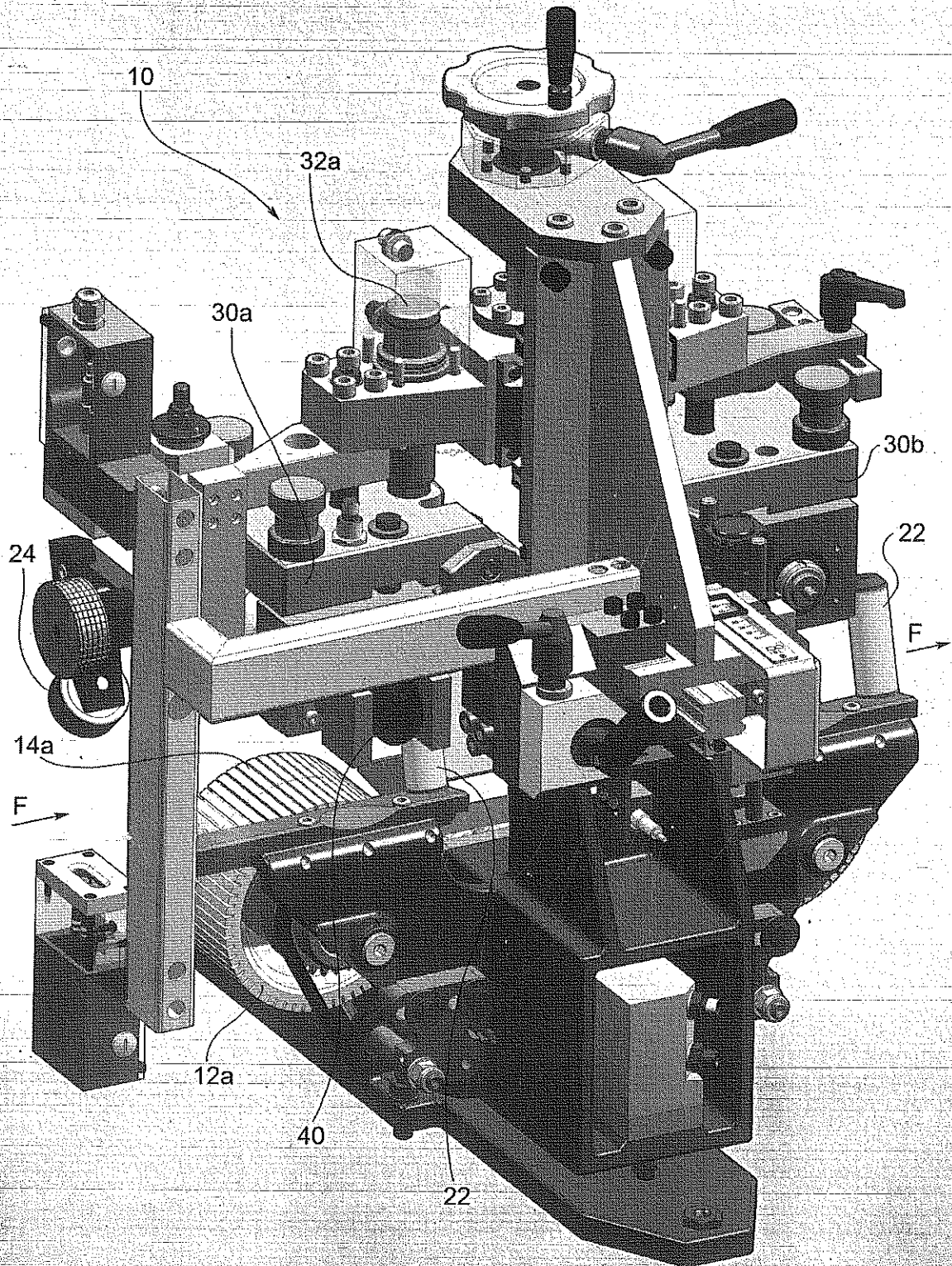


FIG. 6

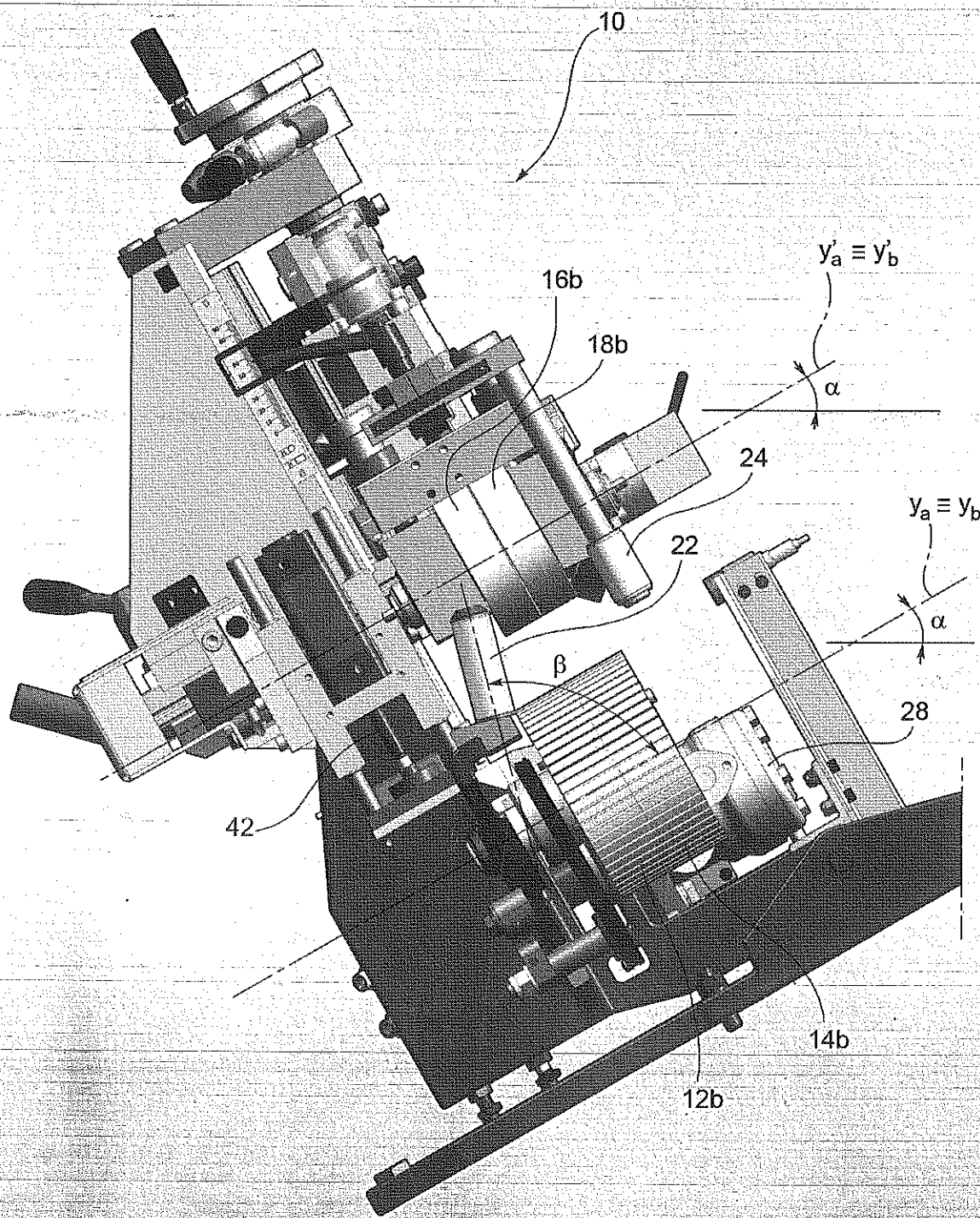


FIG. 7

RANJNA MEHTA-DUTT
OF REMFRY & SAGAR
ATTORNEY FOR THE APPLICANTS

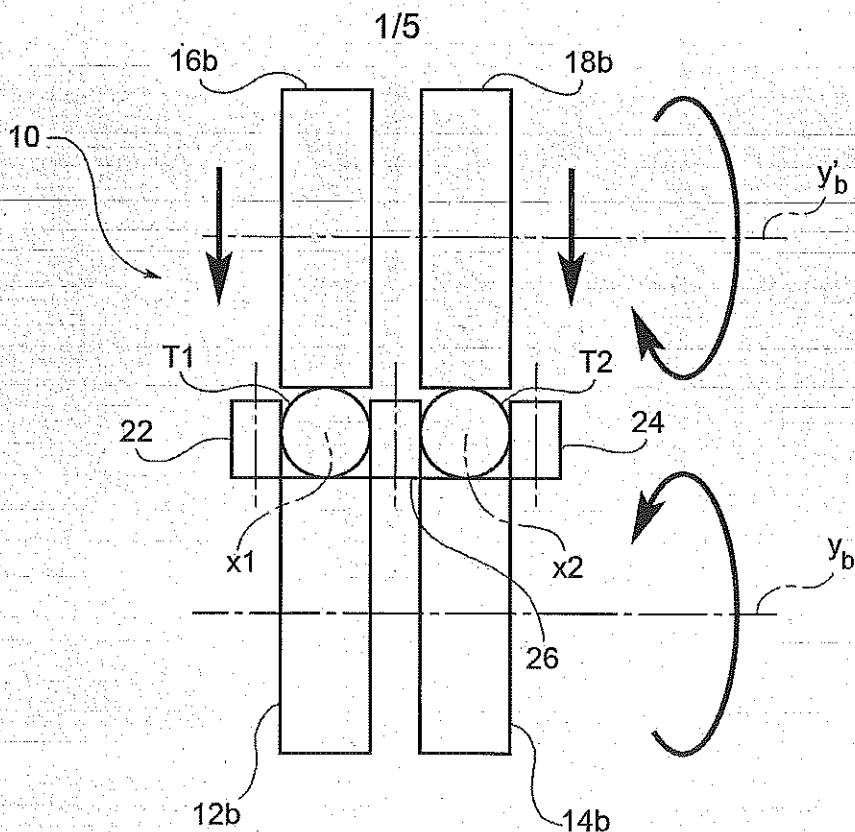


FIG. 1
(PRIOR ART)

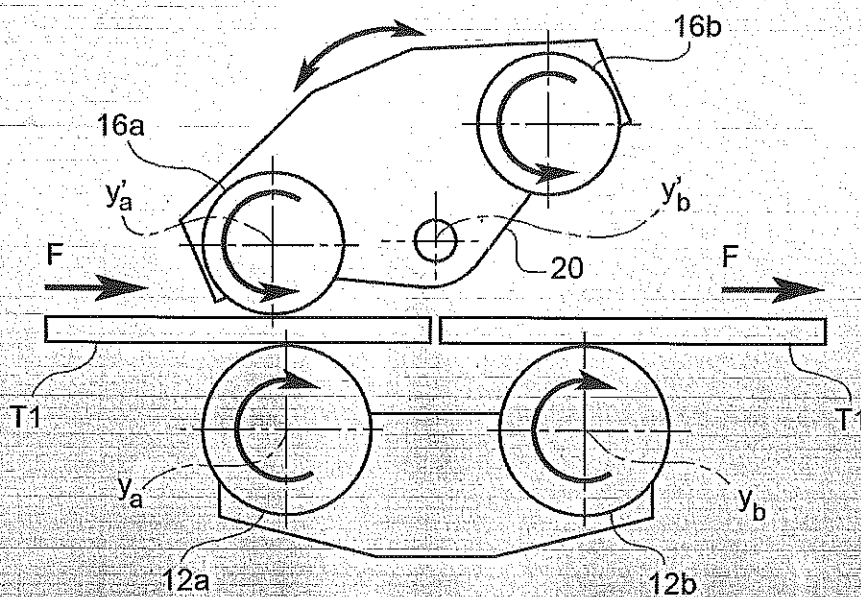


FIG. 2
(PRIOR ART)

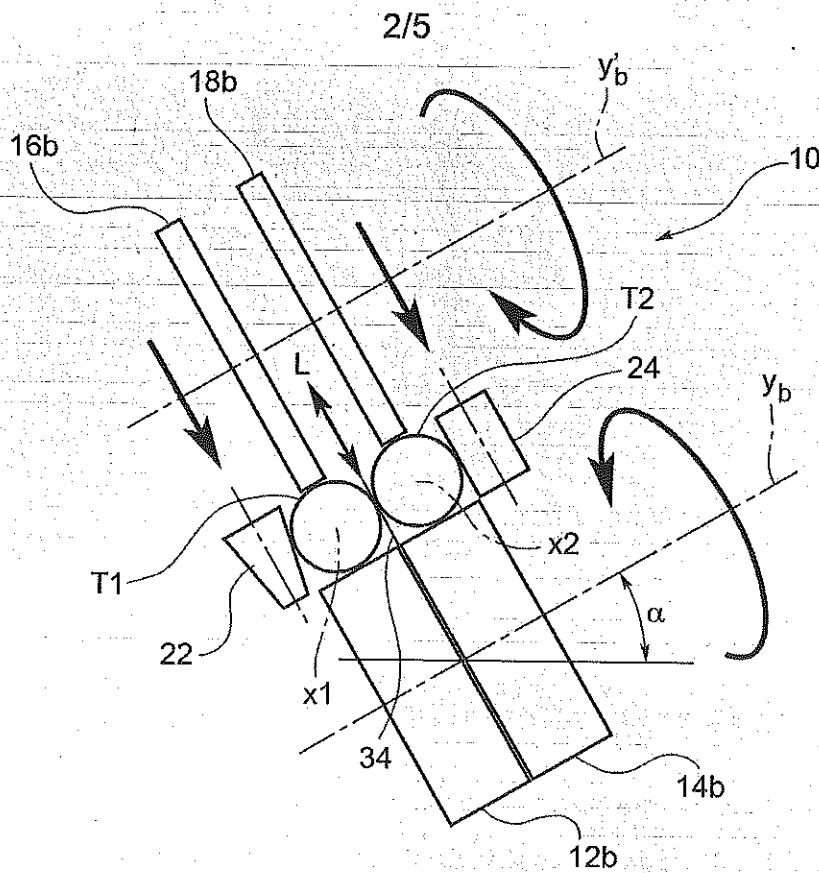


FIG. 3

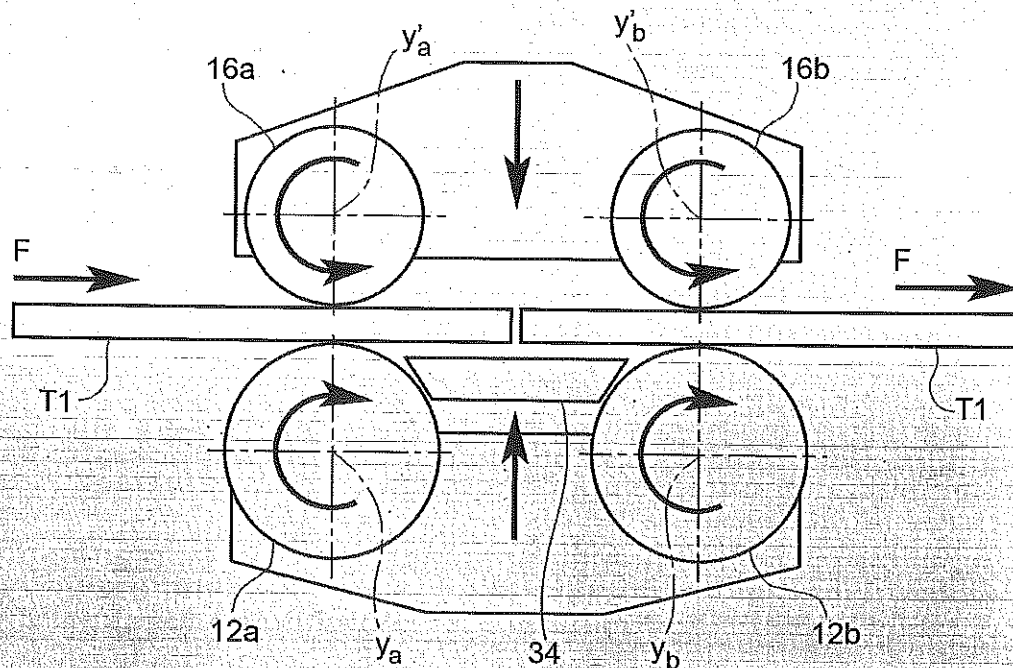


FIG. 4

3/5

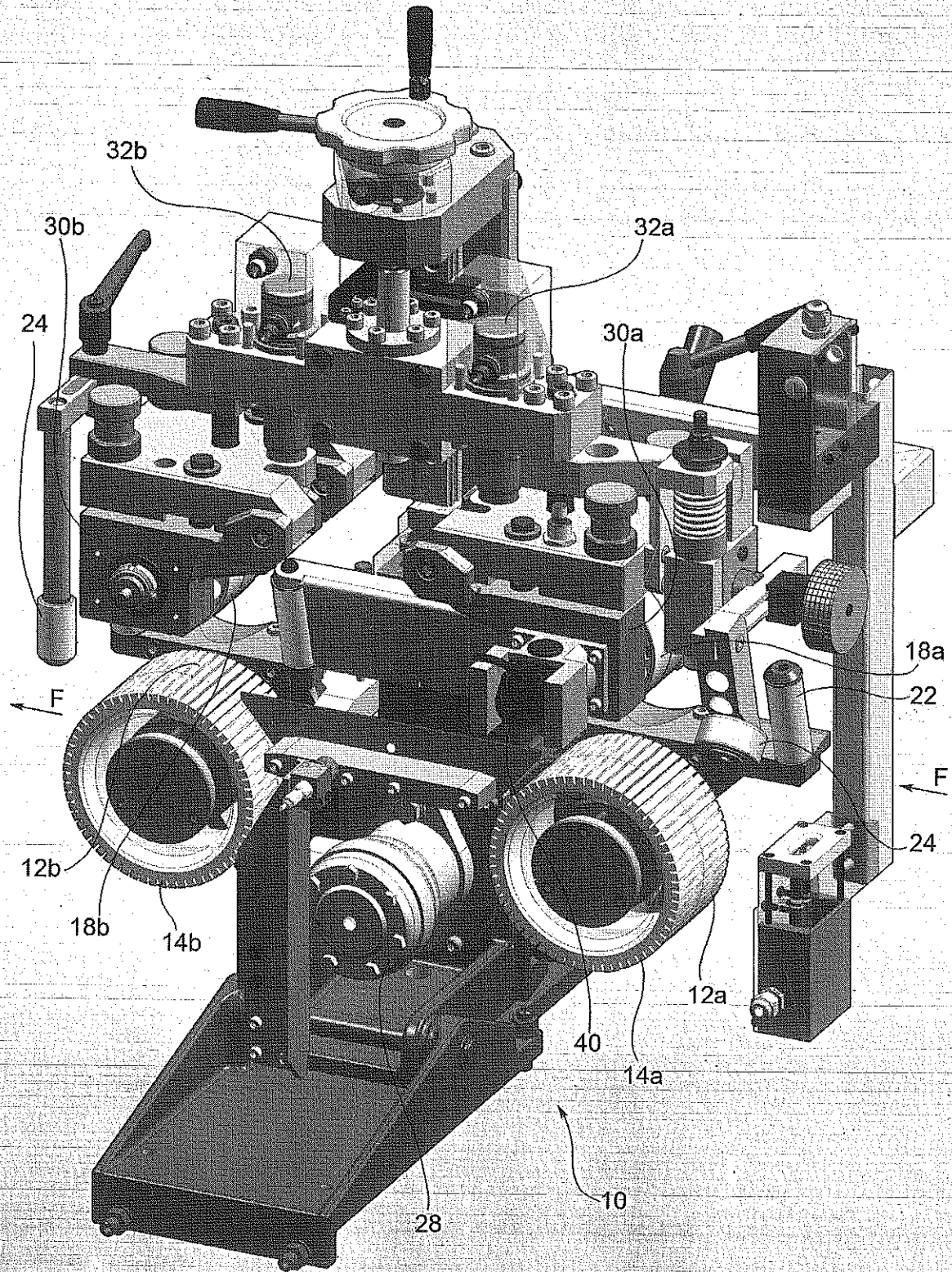


FIG. 5

RANJNA MEHTA-DUTT
OF REMFRY & SAGAR
ATTORNEY FOR THE APPLICANTS

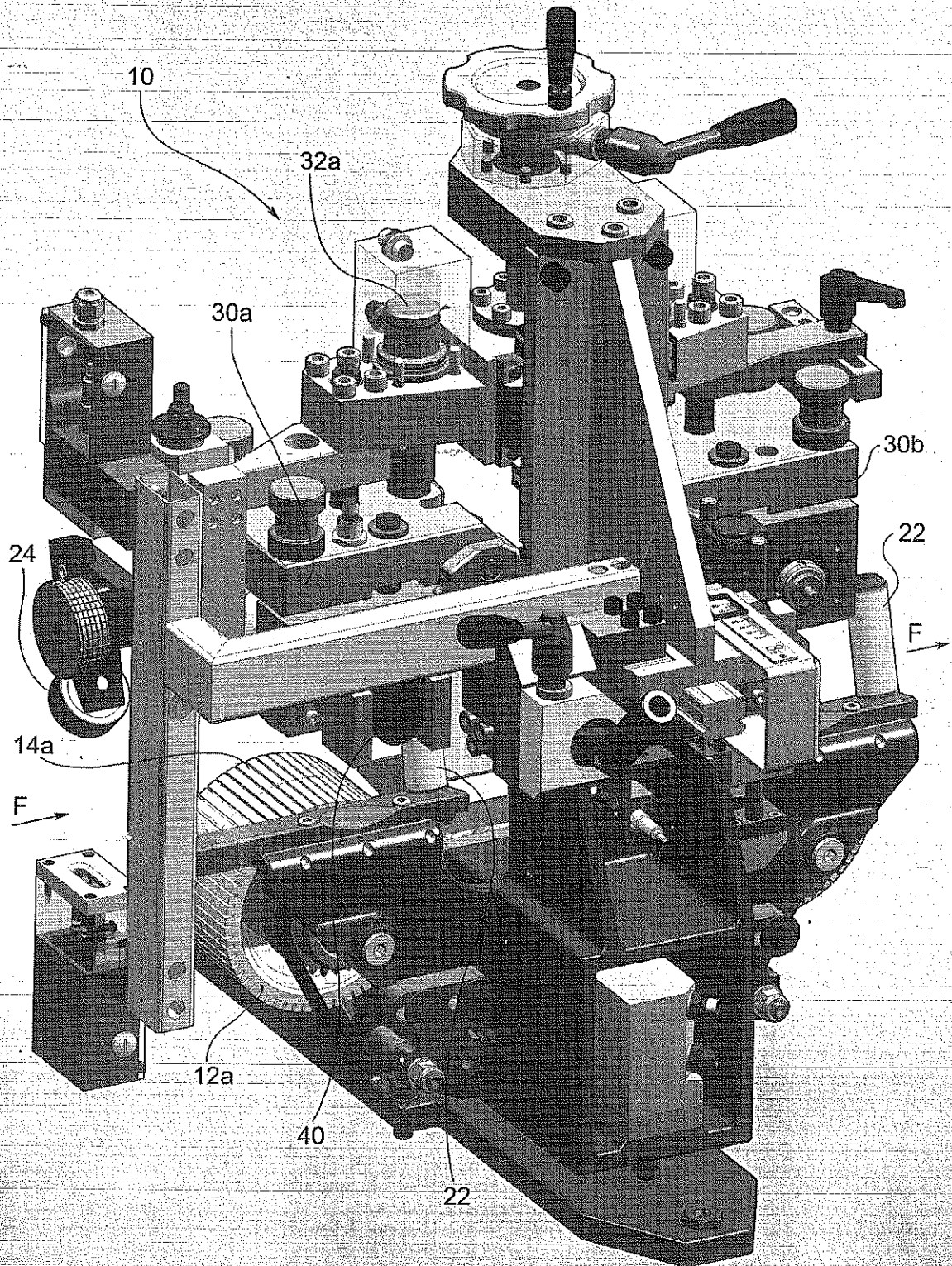


FIG. 6

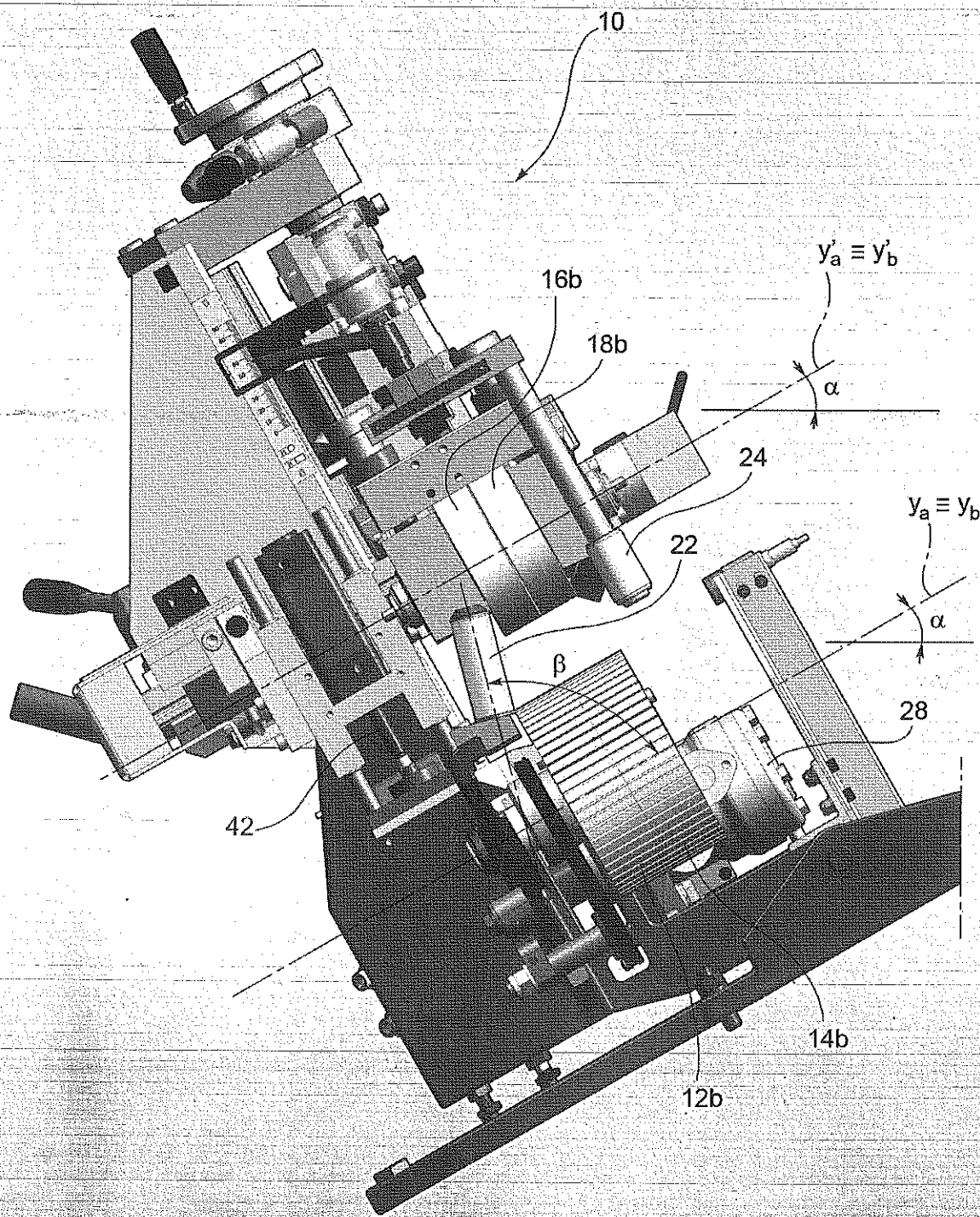


FIG. 7

RANJNA MEHTA-DUTT
OF REMFRY & SAGAR
ATTORNEY FOR THE APPLICANTS