

(19) World Intellectual Property Organization
International Bureau



(43) International Publication Date
9 February 2012 (09.02.2012)

PCT

(10) International Publication Number
WO 2012/018441 A3

(51) International Patent Classification:

B61D 17/16 (2006.01) **B61D 7/30** (2006.01)
B61D 39/00 (2006.01) **B61D 5/00** (2006.01)

(21) International Application Number:

PCT/US2011/040666

(22) International Filing Date:

16 June 2011 (16.06.2011)

(25) Filing Language:

English

(26) Publication Language:

English

(30) Priority Data:

12/843,951 27 July 2010 (27.07.2010) US

(71) Applicant (for all designated States except US): **STRUCTURAL COMPOSITES OF INDIANA** [US/US]; 1118 Gerber St., Ligonier, IN 46767 (US).

(72) Inventors; and

(71) Applicants (for all designated States except US): **BARANOWSKI, Kenneth, M.**; 2885 East 100th North, Albion, IN 46701 (US). **MACHADO, Arturo** [MX/US]; 3100 Birch Dr., Elkhart, IN 46514 (US).

(72) Inventors; and

(75) Inventors/Applicants (for US only): **HUBER, Roy, J.** [US/US]; 66278 US Hwy 33 East, Goshen, IN 46526 (US). **JOHANSON, Eric, J.** [US/US]; 20830 Walen Park Ln., Granger, IN 46530 (US).

(74) Agent: **GARWOOD, Max, W.**; Taylor & Aust, P.C., 142 S. Main St., P.O. Box 560, Avilla, IN 46710 (US).

(81) Designated States (unless otherwise indicated, for every kind of national protection available): AE, AG, AL, AM, AO, AT, AU, AZ, BA, BB, BG, BH, BR, BW, BY, BZ, CA, CH, CL, CN, CO, CR, CU, CZ, DE, DK, DM, DO, DZ, EC, EE, EG, ES, FI, GB, GD, GE, GH, GM, GT, HN, HR, HU, ID, IL, IN, IS, JP, KE, KG, KM, KN, KP, KR, KZ, LA, LC, LK, LR, LS, LT, LU, LY, MA, MD, ME, MG, MK, MN, MW, MX, MY, MZ, NA, NG, NI, NO, NZ, OM, PE, PG, PH, PL, PT, RO, RS, RU, SC, SD, SE, SG, SK, SL, SM, ST, SV, SY, TH, TJ, TM, TN, TR, TT, TZ, UA, UG, US, UZ, VC, VN, ZA, ZM, ZW.

(84) Designated States (unless otherwise indicated, for every kind of regional protection available): ARIPO (BW, GH, GM, KE, LR, LS, MW, MZ, NA, SD, SL, SZ, TZ, UG, ZM, ZW), Eurasian (AM, AZ, BY, KG, KZ, MD, RU, TJ, TM), European (AL, AT, BE, BG, CH, CY, CZ, DE, DK, EE, ES, FI, FR, GB, GR, HR, HU, IE, IS, IT, LT, LU, LV, MC, MK, MT, NL, NO, PL, PT, RO, RS, SE, SI, SK, SM, TR), OAPI (BF, BJ, CF, CG, CI, CM, GA, GN, GQ, GW, ML, MR, NE, SN, TD, TG).

Published:

- with international search report (Art. 21(3))
- before the expiration of the time limit for amending the claims and to be republished in the event of receipt of amendments (Rule 48.2(h))

(88) Date of publication of the international search report:

19 April 2012

(54) Title: HATCH COVER LATCHING SYSTEM METHOD AND APPARATUS

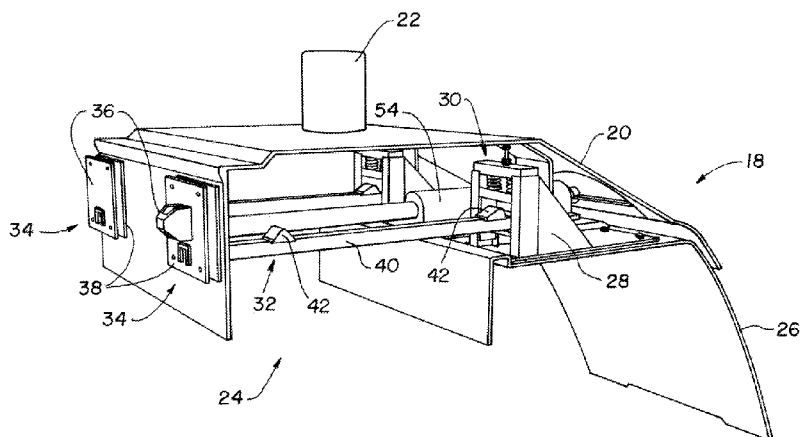


Fig. 2

(57) Abstract: A railcar hatch cover latching system including a sliding mechanism attached to a movable portion of the hatch cover and a latching apparatus associated with the hatch cover. The latching apparatus has a biased assembly, a bar and at least one profiled stop. The bar extends through the biased assembly. The biased assembly is configured to allow the bar to pass through the biased assembly with a first force requirement. The at least one profiled stop is positioned on the bar to encounter the biased assembly and having a second force requirement to move the bar past the at least one profiled stop, the second force being greater than the first force.



WO 2012/018441 A3

A. CLASSIFICATION OF SUBJECT MATTER*B61D 17/16(2006.01)i, B61D 39/00(2006.01)i, B61D 7/30(2006.01)i, B61D 5/00(2006.01)i*

According to International Patent Classification (IPC) or to both national classification and IPC

B. FIELDS SEARCHED

Minimum documentation searched (classification system followed by classification symbols)

B61D 17/16; B61D 39/00; B61D 7/30; B61D 5/00

Documentation searched other than minimum documentation to the extent that such documents are included in the fields searched

Korean utility models and applications for utility models

Japanese utility models and applications for utility models

Electronic data base consulted during the international search (name of data base and, where practicable, search terms used)

eKOMPASS(KIPO internal) & Keywords: railcar hatch cover, latching, sliding, profiled stop and similar terms

C. DOCUMENTS CONSIDERED TO BE RELEVANT

Category*	Citation of document, with indication, where appropriate, of the relevant passages	Relevant to claim No.
A	WO 2009-117627 A2 (STRUCTURAL COMPOSITES OF INDIANA INC. et al.) 24 September 2009 See paragraphs 19-26; and figures 1-6.	1-20
A	JP 57-186575 A (KAWASAKI HEAVY IND., LTD.) 17 November 1982 See page 1, lower right column, line 17 - page 3, upper left column, line 19; and figures 1-10.	1-20
A	JP 2005-349852 A (CENTRAL JAPAN RAILWAY CO. et al.) 22 December 2005 See paragraphs 7-19; and figures 1-9.	1, 8, 15
A	JP 58-067557 A (KAWASAKI HEAVY IND., LTD.) 22 April 1983 See page 2, upper left column, line 20 - page 5, upper right column, line 18; and figures 1-8.	1-4, 8-11, 15-18
A	JP 53-020212 A (KAWASAKI HEAVY IND., LTD.) 24 February 1978 See page 2, upper right column, line 1 - page 5, upper left column, line 7; and figures 1-12.	1-4, 8-11, 15-18

 Further documents are listed in the continuation of Box C. See patent family annex.

* Special categories of cited documents:

"A" document defining the general state of the art which is not considered to be of particular relevance

"E" earlier application or patent but published on or after the international filing date

"L" document which may throw doubts on priority claim(s) or which is cited to establish the publication date of citation or other special reason (as specified)

"O" document referring to an oral disclosure, use, exhibition or other means

"P" document published prior to the international filing date but later than the priority date claimed

"T" later document published after the international filing date or priority date and not in conflict with the application but cited to understand the principle or theory underlying the invention

"X" document of particular relevance; the claimed invention cannot be considered novel or cannot be considered to involve an inventive step when the document is taken alone

"Y" document of particular relevance; the claimed invention cannot be considered to involve an inventive step when the document is combined with one or more other such documents, such combination being obvious to a person skilled in the art

"&" document member of the same patent family

Date of the actual completion of the international search

29 FEBRUARY 2012 (29.02.2012)

Date of mailing of the international search report

02 MARCH 2012 (02.03.2012)

Name and mailing address of the ISA/KR

Korean Intellectual Property Office
Government Complex-Daejeon, 189 Cheongsa-ro,
Seo-gu, Daejeon 302-701, Republic of Korea

Facsimile No. 82-42-472-7140

Authorized officer

LEE, KI SEONG

Telephone No. 82-42-481-5485



INTERNATIONAL SEARCH REPORT

Information on patent family members

International application No.

PCT/US2011/040666

Patent document cited in search report	Publication date	Patent family member(s)	Publication date
WO 2009-117627 A2	24.09.2009	AU 2009-225481 A1 CA 2719283 A1 MX 2010010243 A US 2009-0235841 A1 US 2010-0326318 A1 US 8051779 B2 WO 2009-117627 A3 WO 2009-117627 A3	24.09.2009 24.09.2009 14.12.2010 24.09.2009 30.12.2010 08.11.2011 23.12.2009 24.09.2009
JP 57-186575 A	17.11.1982	JP 63-012032 B	17.03.1988
JP 2005-349852 A	22.12.2005	JP 4388420 B2	24.12.2009
JP 58-067557 A	22.04.1983	JP 63-012033 B	17.03.1988
JP 53-020212 A	24.02.1978	None	