

(19) World Intellectual Property
Organization
International Bureau



(43) International Publication Date
6 October 2005 (06.10.2005)

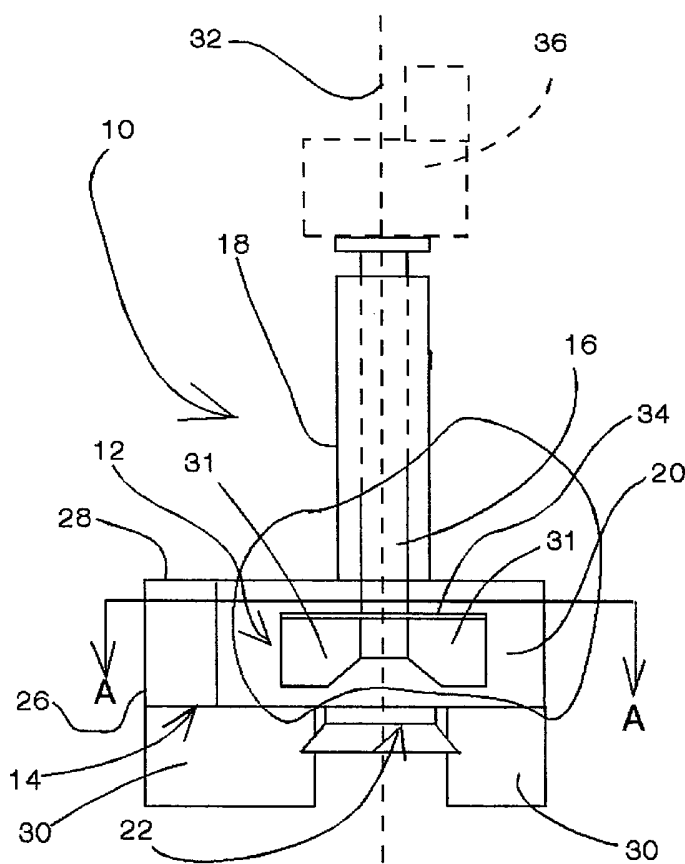
PCT

(10) International Publication Number
WO 2005/093261 A3

- (51) International Patent Classification⁷: F04D 29/60
- (21) International Application Number:
PCT/ZA2004/000155
- (22) International Filing Date:
10 December 2004 (10.12.2004)
- (25) Filing Language: English
- (26) Publication Language: English
- (30) Priority Data:
2003/9329 10 December 2003 (10.12.2003) ZA
- (71) Applicant and
(72) Inventor: VAN DEN BERG, Zacharias, Joseph
[ZA/ZA]; 9 Cooperskloof Street, 1786 Glenharvie (ZA).
- (74) Agent: VAN DER MERWE, Andries, Petrus, Sch; P O
BOX 20301, 2522 Noordbrug (ZA).
- (81) Designated States (unless otherwise indicated, for every kind of national protection available): AE, AG, AL, AM, AT, AU, AZ, BA, BB, BG, BR, BW, BY, BZ, CA, CH, CN, CO, CR, CU, CZ, DE, DK, DM, DZ, EC, EE, EG, ES, FI, GB, GD, GE, GH, GM, HR, HU, ID, IL, IN, IS, JP, KE, KG, KP, KR, KZ, LC, LK, LR, LS, LT, LU, LV, MA, MD, MG, MK, MN, MW, MX, MZ, NA, NI, NO, NZ, OM, PG, PH, PL, PT, RO, RU, SC, SD, SE, SG, SK, SL, SY, TJ, TM, TN, TR, TT, TZ, UA, UG, US, UZ, VC, VN, YU, ZA, ZM, ZW.
- (84) Designated States (unless otherwise indicated, for every kind of regional protection available): ARIPO (BW, GH, GM, KE, LS, MW, MZ, NA, SD, SL, SZ, TZ, UG, ZM, ZW), Eurasian (AM, AZ, BY, KG, KZ, MD, RU, TJ, TM), European (AT, BE, BG, CH, CY, CZ, DE, DK, EE, ES, FI, FR, GB, GR, HU, IE, IS, IT, LT, LU, MC, NL, PL, PT, RO, SE, SI, SK, TR), OAPI (BF, BJ, CF, CG, CI, CM, GA, GN, GQ, GW, ML, MR, NE, SN, TD, TG).

[Continued on next page]

(54) Title: SUBMERSIBLY OPERABLE HIGH VOLUME AND LOW PRESSURE LIQUID TRANSFER EQUIPMENT



(57) Abstract: Submersibly installable and operable high volume and low pressure stirrer type liquid transferring equipment (10) comprises a rotor type stirrer (12) driven via a drive shaft (16) passing without making contact along a sleeve (18) rooting centrally in a housing (14) having a downwardly facing inlet (22) and a tangentially arranged outlet (24). As the casing (26) of the housing (14) is independent of the remainder of the equipment (10) it is fitted with elevating leg plates (30). Its operative location is accommodated by a location of equipment installation. The stirrer (12) is bolted to a drive assembly (36) via its shaft (16). The length of the sleeve (18) is established in conjunction with the circumstances of use of the equipment (10) to maintain the zone (20) encompassed by the housing (14) sealed from above by a liquid seal.

WO 2005/093261 A3



Published:

- *with international search report*
- *before the expiration of the time limit for amending the claims and to be republished in the event of receipt of amendments*

For two-letter codes and other abbreviations, refer to the "Guidance Notes on Codes and Abbreviations" appearing at the beginning of each regular issue of the PCT Gazette.

(88) Date of publication of the international search report:

10 November 2005

INTERNATIONAL SEARCH REPORT

International Application No
PCT/ZA2004/000155

A. CLASSIFICATION OF SUBJECT MATTER IPC 7 F04D29/60		
According to International Patent Classification (IPC) or to both national classification and IPC		
B. FIELDS SEARCHED		
Minimum documentation searched (classification system followed by classification symbols) IPC 7 F04D		
Documentation searched other than minimum documentation to the extent that such documents are included in the fields searched		
Electronic data base consulted during the international search (name of data base and, where practical, search terms used) EPO-Internal, PAJ, WPI Data		
C. DOCUMENTS CONSIDERED TO BE RELEVANT		
Category °	Citation of document, with indication, where appropriate, of the relevant passages	Relevant to claim No.
X	US 4 416 549 A (KRETSCHMER ET AL) 22 November 1983 (1983-11-22) the whole document -----	1-30
X	US 4 499 562 A (CAMPOLINI ET AL) 12 February 1985 (1985-02-12) the whole document -----	1-30
A	DE 196 51 578 A1 (WAYSS & FREYTAG AG, 60486 FRANKFURT, DE; TESMA GESELLSCHAFT FUER ANLAG) 18 June 1998 (1998-06-18) the whole document -----	1-30
A	US 3 207 314 A (PEARSON CHESTER H) 21 September 1965 (1965-09-21) the whole document -----	1-30
-/--		
<input checked="" type="checkbox"/> Further documents are listed in the continuation of box C.		
<input checked="" type="checkbox"/> Patent family members are listed in annex.		
° Special categories of cited documents :		
"A" document defining the general state of the art which is not considered to be of particular relevance "E" earlier document but published on or after the International filing date "L" document which may throw doubts on priority claim(s) or which is cited to establish the publication date of another citation or other special reason (as specified) "O" document referring to an oral disclosure, use, exhibition or other means "P" document published prior to the international filing date but later than the priority date claimed	"T" later document published after the international filing date or priority date and not in conflict with the application but cited to understand the principle or theory underlying the invention "X" document of particular relevance; the claimed invention cannot be considered novel or cannot be considered to involve an inventive step when the document is taken alone "Y" document of particular relevance; the claimed invention cannot be considered to involve an inventive step when the document is combined with one or more other such documents, such combination being obvious to a person skilled in the art. "&" document member of the same patent family	
Date of the actual completion of the international search <h3 style="text-align: center;">6 September 2005</h3>	Date of mailing of the international search report <h3 style="text-align: center;">15/09/2005</h3>	
Name and mailing address of the ISA European Patent Office, P.B. 5818 Patentlaan 2 NL - 2280 HV Rijswijk Tel. (+31-70) 340-2040, Tx. 31 651 epo nl, Fax: (+31-70) 340-3016	Authorized officer <h2 style="text-align: center;">Ingelbrecht, P</h2>	

INTERNATIONAL SEARCH REPORT

International Application No
PCT/ZA2004/000155

C.(Continuation) DOCUMENTS CONSIDERED TO BE RELEVANT

Category °	Citation of document, with indication, where appropriate, of the relevant passages	Relevant to claim No.
A	US 2 987 186 A (BURGOON DAVID W ET AL) 6 June 1961 (1961-06-06) the whole document -----	1-30
A	DE 195 35 881 A1 (A.I.T. ABWASSERSYSTEME GMBH, 87740 BUXHEIM, DE) 3 April 1997 (1997-04-03) the whole document -----	1-30
A	US 6 276 824 B1 (DE JAGER VERNON) 21 August 2001 (2001-08-21) the whole document -----	1-30
A	PATENT ABSTRACTS OF JAPAN vol. 002, no. 157 (M-044), 27 December 1978 (1978-12-27) & JP 53 125602 A (MATSUSHITA ELECTRIC WORKS LTD), 2 November 1978 (1978-11-02) the whole document -----	1-30
A	PATENT ABSTRACTS OF JAPAN vol. 011, no. 080 (C-409), 11 March 1987 (1987-03-11) & JP 61 234995 A (MASAHIKO IRIE; others: 01), 20 October 1986 (1986-10-20) the whole document -----	1-30

INTERNATIONAL SEARCH REPORT

Information on patent family members

International Application No
PCT/ZA2004/000155

Patent document cited in search report	Publication date	Patent family member(s)	Publication date
US 4416549	A	22-11-1983 CA 1204340 A1	13-05-1986
US 4499562	A	12-02-1985 GB 2120115 A ,B	30-11-1983
DE 19651578	A1	18-06-1998 NONE	
US 3207314	A	21-09-1965 NONE	
US 2987186	A	06-06-1961 NONE	
DE 19535881	A1	03-04-1997 NONE	
US 6276824	B1	21-08-2001 AT 242844 T AU 760334 B2 AU 1874100 A BR 9916299 A CA 2355463 A1 DE 69908822 D1 DE 69908822 T2 DK 1144869 T3 EP 1144869 A1 WO 0037803 A1 NO 20012918 A	15-06-2003 15-05-2003 12-07-2000 22-01-2002 29-06-2000 17-07-2003 06-05-2004 06-10-2003 17-10-2001 29-06-2000 13-06-2001
JP 53125602	A	02-11-1978 JP 1351521 C JP 61018032 B	28-11-1986 10-05-1986
JP 61234995	A	20-10-1986 JP 1037195 B JP 1552932 C	04-08-1989 04-04-1990