



- (51) **International Patent Classification:**
B60W 10/24 (2006.01) *B60W 50/02* (2006.01)
B60P 3/20 (2006.01)
- (21) **International Application Number:**
PCT/US2011/064309
- (22) **International Filing Date:**
12 December 2011 (12.12.2011)
- (25) **Filing Language:** English
- (26) **Publication Language:** English
- (30) **Priority Data:**
12/977,956 23 December 2010 (23.12.2010) US
- (71) **Applicant (for all designated States except US):**
THERMO KING CORPORATION [US/US]; 314 West
9th Street, Minneapolis, MN 55420-3693 (US).
- (72) **Inventors; and**
- (75) **Inventors/Applicants (for US only):** **FINK, Ulrich**
[DE/US]; 8589 Rosewood Lane, Maple Grove, MN 55369
(US). **GUSTAFSON, Alan, D.** [US/US]; 13571 Essex Ct.,
Eden Prairie, MN 55347 (US). **HOIUM, Stanley**
[US/US]; 50 Logan Avenue W., West St. Paul, MN 55118
(US). **CAMACHO, Luis** [US/US]; 19395 Euclid Path,
Farmington, MN 55024 (US).
- (74) **Agent:** **WEITZER, Glen, A.**; Michael Best & Friedrich
LLP, 100 East Wisconsin Avenue, Suite 3300, Milwaukee,
WI 53202-4108 (US).

- (81) **Designated States (unless otherwise indicated, for every kind of national protection available):** AE, AG, AL, AM, AO, AT, AU, AZ, BA, BB, BG, BH, BR, BW, BY, BZ, CA, CH, CL, CN, CO, CR, CU, CZ, DE, DK, DM, DO, DZ, EC, EE, EG, ES, FI, GB, GD, GE, GH, GM, GT, HN, HR, HU, ID, IL, IN, IS, JP, KE, KG, KM, KN, KP, KR, KZ, LA, LC, LK, LR, LS, LT, LU, LY, MA, MD, ME, MG, MK, MN, MW, MX, MY, MZ, NA, NG, NI, NO, NZ, OM, PE, PG, PH, PL, PT, QA, RO, RS, RU, RW, SC, SD, SE, SG, SK, SL, SM, ST, SV, SY, TH, TJ, TM, TN, TR, TT, TZ, UA, UG, US, UZ, VC, VN, ZA, ZM, ZW.
- (84) **Designated States (unless otherwise indicated, for every kind of regional protection available):** ARIPO (BW, GH, GM, KE, LR, LS, MW, MZ, NA, RW, SD, SL, SZ, TZ, UG, ZM, ZW), Eurasian (AM, AZ, BY, KG, KZ, MD, RU, TJ, TM), European (AL, AT, BE, BG, CH, CY, CZ, DE, DK, EE, ES, FI, FR, GB, GR, HR, HU, IE, IS, IT, LT, LU, LV, MC, MK, MT, NL, NO, PL, PT, RO, RS, SE, SI, SK, SM, TR), OAPI (BF, BJ, CF, CG, CI, CM, GA, GN, GQ, GW, ML, MR, NE, SN, TD, TG).

Published:

- with international search report (Art. 21(3))
- before the expiration of the time limit for amending the claims and to be republished in the event of receipt of amendments (Rule 48.2(h))

- (88) **Date of publication of the international search report:**
13 September 2012

(54) **Title:** MOBILE ENVIRONMENT-CONTROLLED UNIT AND METHOD OF OPERATING A MOBILE ENVIRONMENT-CONTROLLED UNIT

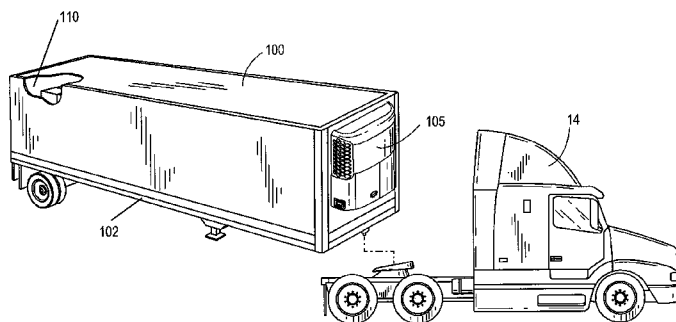


FIG. 1

(57) **Abstract:** A mobile environment-controlled unit having a structure, a compartment supported by the structure, and an environmental-control system in environmental communication with the compartment. The environmental-control system is configured to control an environmental parameter of the compartment. The environmental-control system includes an internal combustion engine, having a starter, powering the environmental-control system; a battery powering the starter; and a controller. The controller monitors battery health status, predicts battery failure, and communicates the predicted battery failure. Also, described is a method of operating the mobile environment-controlled unit and a controller for controlling the mobile environment-controlled unit.



A. CLASSIFICATION OF SUBJECT MATTER***B60W 10/24(2006.01)i, B60P 3/20(2006.01)i, B60W 50/02(2006.01)i***

According to International Patent Classification (IPC) or to both national classification and IPC

B. FIELDS SEARCHED

Minimum documentation searched (classification system followed by classification symbols)

B60W 10/24; B60P 3/00; B60H 1/32; F25B 27/00; B60P 3/20

Documentation searched other than minimum documentation to the extent that such documents are included in the fields searched

Korean utility models and applications for utility models

Japanese utility models and applications for utility models

Electronic data base consulted during the international search (name of data base and, where practicable, search terms used)

eKOMPASS(KIPO internal) & Keywords: environmental, transport refrigeration system, cycle sentry mode, battery, monitor, freezer,

C. DOCUMENTS CONSIDERED TO BE RELEVANT

Category*	Citation of document, with indication, where appropriate, of the relevant passages	Relevant to claim No.
A	KR 10-2010-0070594 A (KIM DONG HWAN et al.) 28 June 2010 See paragraphs [0002], [0003], [0042]-[0052], claims 1-3, 6, 7 and figs 3, 4	1-20
A	EP 2128545 A1 (DAIKIN INDUSTRIES, LTD.) 02 December 2009 See paragraphs [0032]-[0038] and figs 3, 4	1-20
A	KR 10-0629106 B1 (KIM DONG HWAN et al.) 27 September 2006 See page 4 line 44 - page 5 line 10, page 5 line 41 - page 6 line 3 and figs 3, 5	1-20
A	US 6688125 B2 (HIROSHI OKAMOTO et al.) 10 February 2004 See column 4 line 6 - column 7 line 49 and figs 1, 2	1-20

 Further documents are listed in the continuation of Box C. See patent family annex.

* Special categories of cited documents:

"A" document defining the general state of the art which is not considered to be of particular relevance

"E" earlier application or patent but published on or after the international filing date

"L" document which may throw doubts on priority claim(s) or which is cited to establish the publication date of citation or other special reason (as specified)

"O" document referring to an oral disclosure, use, exhibition or other means

"P" document published prior to the international filing date but later than the priority date claimed

"T" later document published after the international filing date or priority date and not in conflict with the application but cited to understand the principle or theory underlying the invention

"X" document of particular relevance; the claimed invention cannot be considered novel or cannot be considered to involve an inventive step when the document is taken alone

"Y" document of particular relevance; the claimed invention cannot be considered to involve an inventive step when the document is combined with one or more other such documents, such combination being obvious to a person skilled in the art

"&" document member of the same patent family

Date of the actual completion of the international search

24 JULY 2012 (24.07.2012)

Date of mailing of the international search report

25 JULY 2012 (25.07.2012)

Name and mailing address of the ISA/KR

Korean Intellectual Property Office
189 Cheongsu-ro, Seo-gu, Daejeon Metropolitan
City, 302-701, Republic of Korea

Facsimile No. 82-42-472-7140

Authorized officer

Kim Sung Soo

Telephone No. 82-42-481-3401



INTERNATIONAL SEARCH REPORT

Information on patent family members

International application No.

PCT/US2011/064309

Patent document cited in search report	Publication date	Patent family member(s)	Publication date
KR 10-2010-0070594 A	28.06.2010	None	
EP 2128545 A1	02.12.2009	CN 101583833 A CN 101583833 B EP 2128545 A4 JP 04-325678 B2 JP 2008-185222 A JP 4325678 B2 US 2009-0314019 A1 WO 2008-090949 A1	18.11.2009 13.04.2011 18.05.2011 19.06.2009 14.08.2008 02.09.2009 24.12.2009 31.07.2008
KR 10-0629106 B1	27.09.2006	None	
US 6688125 B2	10.02.2004	AU 6784101 A CN 1488061 A CN 1488061 C0 JP 04-426737 B2 JP 2002-081823 A JP 4426737 B2 US 2003-0106332 A1 WO 02-01130 A1	08.01.2002 07.04.2004 01.02.2006 18.12.2009 22.03.2002 03.03.2010 12.06.2003 03.01.2002