



US0D1044482S

(12) **United States Design Patent**
Fukui et al.

(10) **Patent No.:** **US D1,044,482 S**

(45) **Date of Patent:** **** Oct. 1, 2024**

(54) **TRAY FOR STORING OPTICAL FIBER**

(71) Applicant: **SUMITOMO ELECTRIC OPTIFRONTIER CO., LTD.**,
Yokohama (JP)

(72) Inventors: **Junji Fukui**, Yokohama (JP); **Yoshihiko Tamekuni**, Yokohama (JP); **Hisahiko Narukawa**, Komaki (JP); **Yuji Matsumoto**, Komaki (JP); **Tuan Nghia Duong**, Komaki (JP)

(73) Assignee: **SUMITOMO ELECTRIC OPTIFRONTIER CO., LTD.**,
Yokohama (JP)

(**) Term: **15 Years**

(21) Appl. No.: **29/847,926**

(22) Filed: **Jul. 28, 2022**

(30) **Foreign Application Priority Data**

Jan. 31, 2022 (JP) 2022-001792 D

(51) **LOC (14) Cl.** **08-05**

(52) **U.S. Cl.**
USPC **D8/356; D13/155**

(58) **Field of Classification Search**
USPC .. D8/64, 363, 367-372, 356-357, 354, 323;
D13/164, 147, 154
CPC H02G 15/00; H02G 13/00; H02G 11/00
See application file for complete search history.

(56) **References Cited**

U.S. PATENT DOCUMENTS

5,764,843 A * 6/1998 Macken G02B 6/4476
385/135
5,768,463 A * 6/1998 Foss G02B 6/4442
206/557

5,892,877 A * 4/1999 Meyerhoefer G02B 6/4454
385/136
2002/0159744 A1* 10/2002 Daoud G02B 6/3801
385/135
2003/0007768 A1* 1/2003 Aude G02B 6/4453
385/135

(Continued)

OTHER PUBLICATIONS

White Fusion Splice Tray, Fibertronics, Mar. 19, 2024, <https://fibertronics.com/12-fiber-white-fusion-splice-tray> (Year: 2024).*

Primary Examiner — Karen S Acker
Assistant Examiner — Elizabeth Sun Ko
(74) *Attorney, Agent, or Firm* — Oliff PLC

(57) **CLAIM**

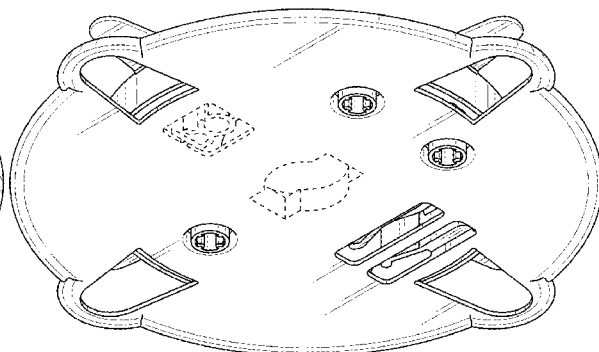
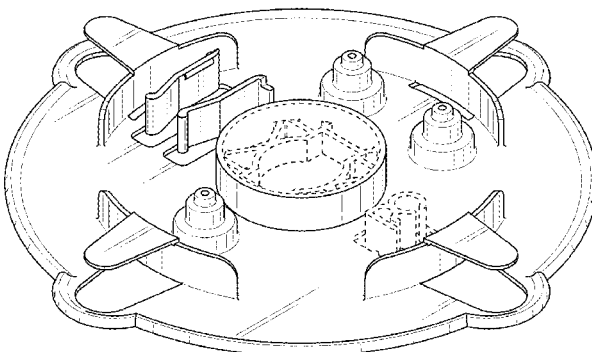
The ornamental design for a tray for storing optical fiber, as shown and described.

DESCRIPTION

FIG. 1 is a front perspective view of a tray for storing optical fiber showing our new design; FIG. 2 is a rear perspective view thereof; FIG. 3 is a front view thereof; FIG. 4 is a rear view thereof; FIG. 5 is a left side view thereof; FIG. 6 is a right side view thereof; FIG. 7 is a top view thereof; FIG. 8 is a bottom view thereof; FIG. 9 is an enlarged view of area 9 in FIG. 3; FIG. 10 is a cross-sectional view taken in the direction of line 10-10 in FIG. 9; and, FIG. 11 is a cross-sectional view taken in the direction of line 11-11 in FIG. 7.

The broken lines in the drawings depict portions of the tray for storing optical fiber that form no part of the claimed design. The dot dashed lines shown in FIGS. 3, 9, and 10 denote the boundaries of the detail view area and form no part of the claimed design.

1 Claim, 6 Drawing Sheets



(56)

References Cited

U.S. PATENT DOCUMENTS

2008/0205844	A1*	8/2008	Castonguay	G02B 6/4454 385/135
2011/0097050	A1*	4/2011	Blackwell, Jr.	G02B 6/4441 385/88
2013/0322839	A1*	12/2013	Claessens	G02B 6/4455 385/135
2018/0372977	A1*	12/2018	Vermeulen	G02B 6/4452
2020/0209501	A1*	7/2020	Diepstraten	G02B 6/387
2021/0311278	A1*	10/2021	Paddick	G02B 6/4454
2023/0266551	A1*	8/2023	Claessens	G02B 6/44524 385/135

* cited by examiner

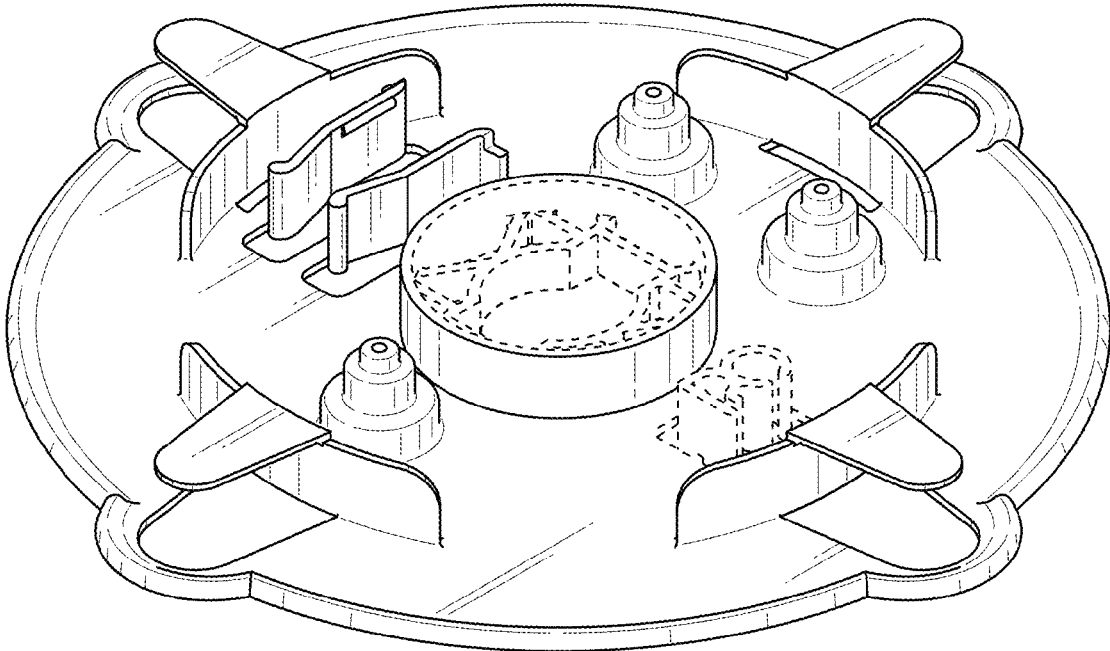


FIG. 1

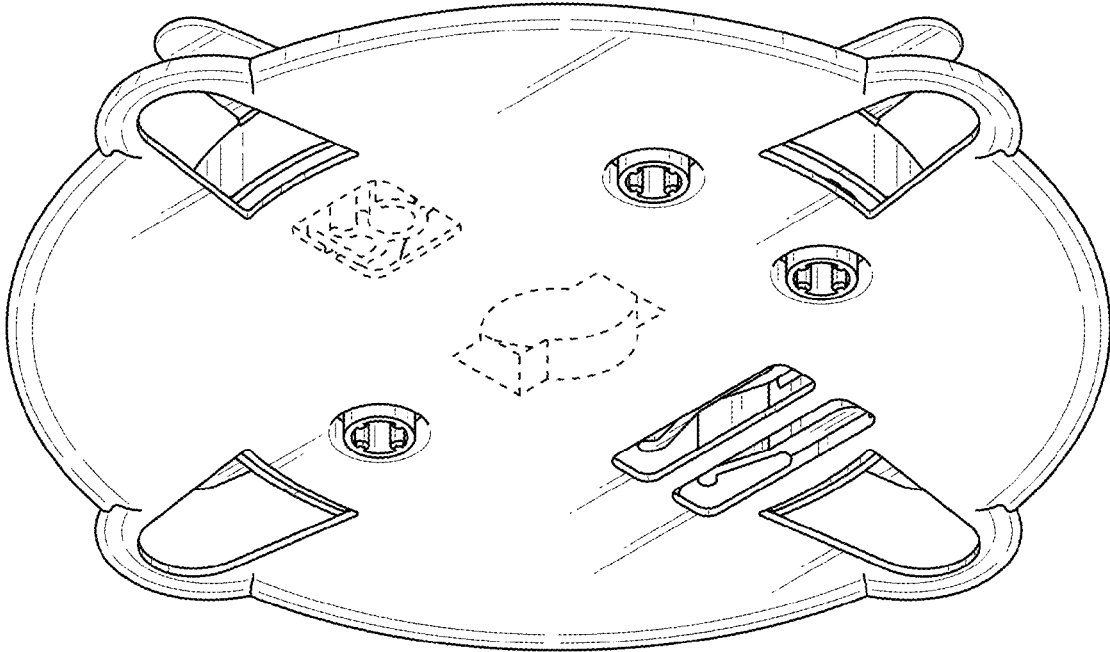


FIG. 2

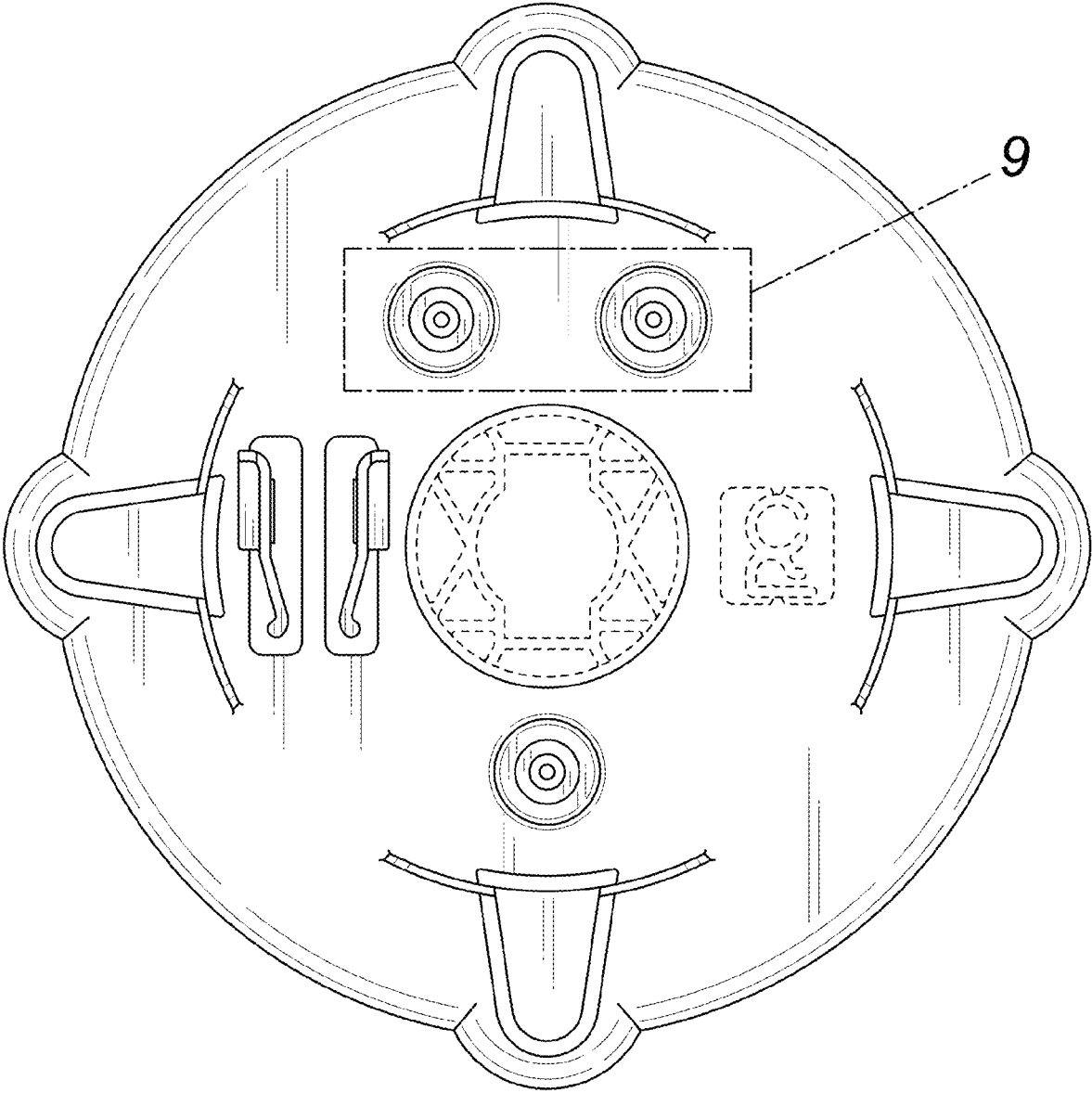


FIG. 3

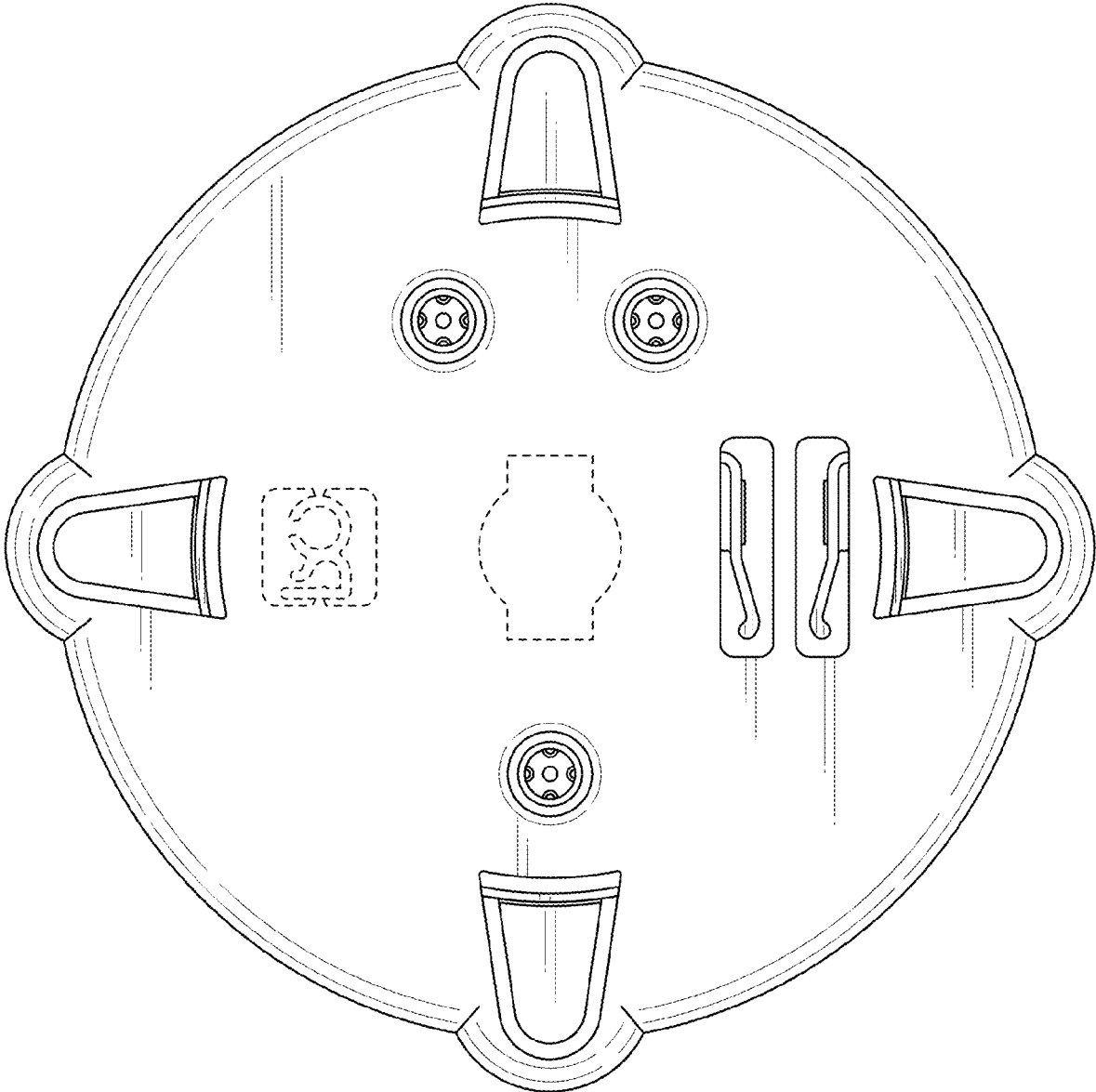


FIG. 4

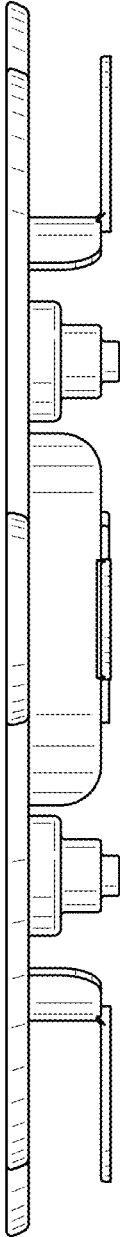


FIG. 5

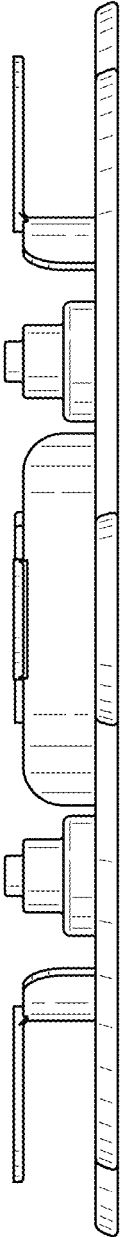


FIG. 6

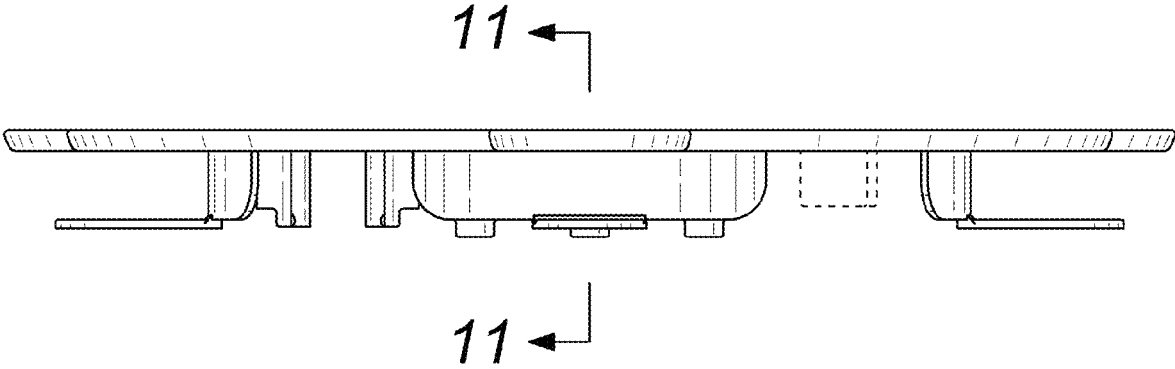


FIG. 7

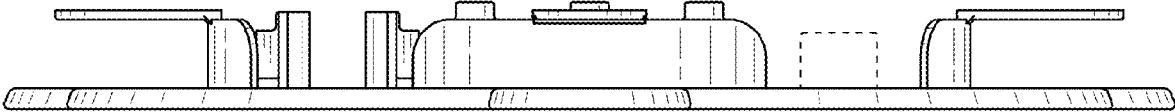


FIG. 8

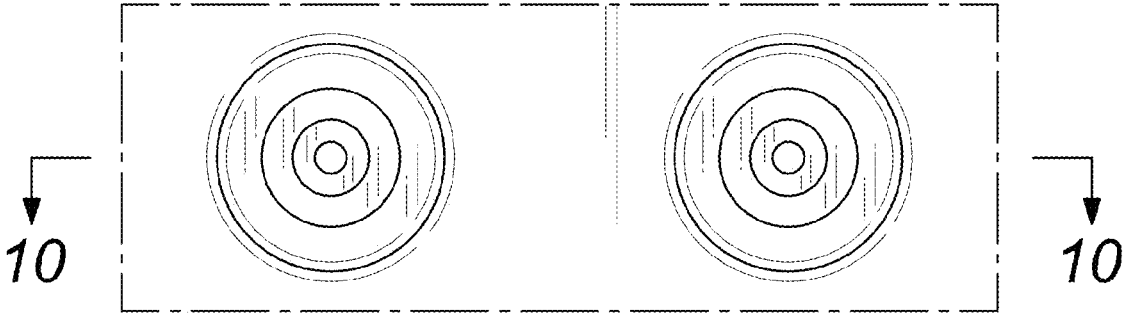


FIG. 9

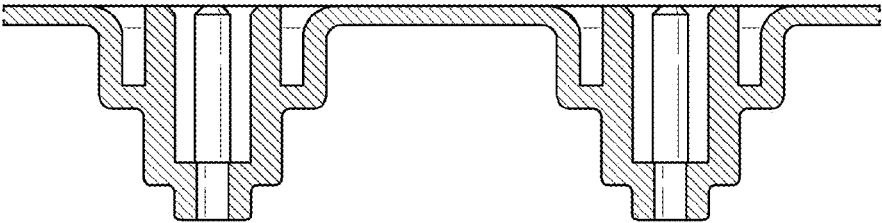


FIG. 10

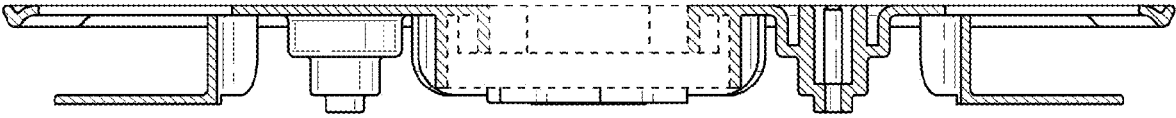


FIG. 11