



US00D493876S1

(12) **United States Design Patent**
Wirthman et al.

(10) **Patent No.:** **US D493,876 S**

(45) **Date of Patent:** **** Aug. 3, 2004**

(54) **ELECTRIC AIR FRESHENER COVER**

D365,391 S * 12/1995 King
D380,821 S * 7/1997 Chen
5,725,152 A * 3/1998 Akyu
D422,350 S * 4/2000 Wu
D447,550 S * 9/2001 Basaganas
D449,101 S * 10/2001 Wolpert et al.

(75) Inventors: **Julie Wirthman**, Gahanna, OH (US);
Ron Longsdorf, Columbus, OH (US);
Theresa Stahura, Columbus, OH (US)

(73) Assignee: **Bath & Body Works, Inc.**,
Reynoldsburg, OH (US)

* cited by examiner

(**) Term: **14 Years**

Primary Examiner—M. H. Tung
(74) *Attorney, Agent, or Firm*—Ward & Olivo

(21) Appl. No.: **29/168,800**

(57) **CLAIM**

(22) Filed: **Oct. 9, 2002**

The ornamental design for an electric air freshener cover, as shown and described.

(51) **LOC (7) Cl.** **28-99**

(52) **U.S. Cl.** **D23/366**

(58) **Field of Search** D23/366-69; 239/211,
239/34-60; 422/120, 122-4; 261/DIG. 65

DESCRIPTION

FIG. 1 is a front elevational view of an electric air freshener cover showing our new design; FIG. 2 is a right side elevational view thereof; FIG. 3 is a rear elevational view thereof; and, FIG. 4 is a top plan view thereof.

(56) **References Cited**

U.S. PATENT DOCUMENTS

D346,207 S * 4/1994 Martin
D365,390 S * 12/1995 King

1 Claim, 4 Drawing Sheets

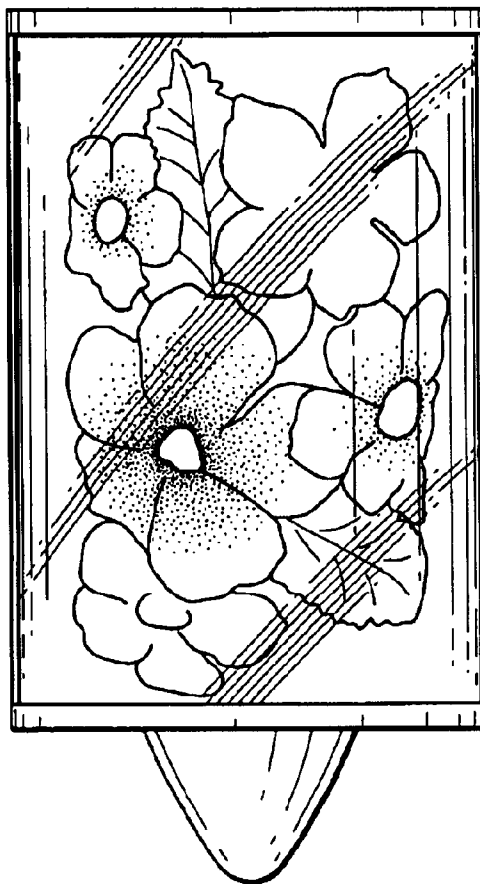


FIG. 1

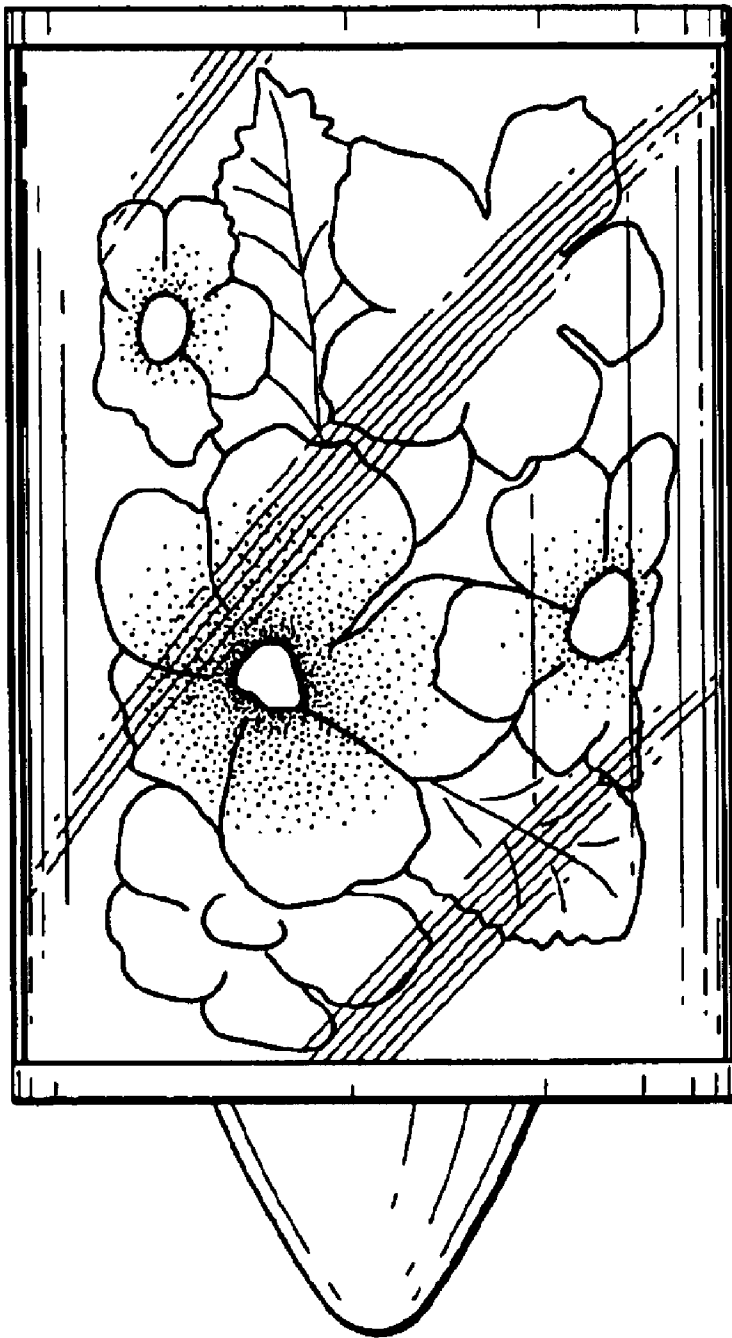


FIG. 2

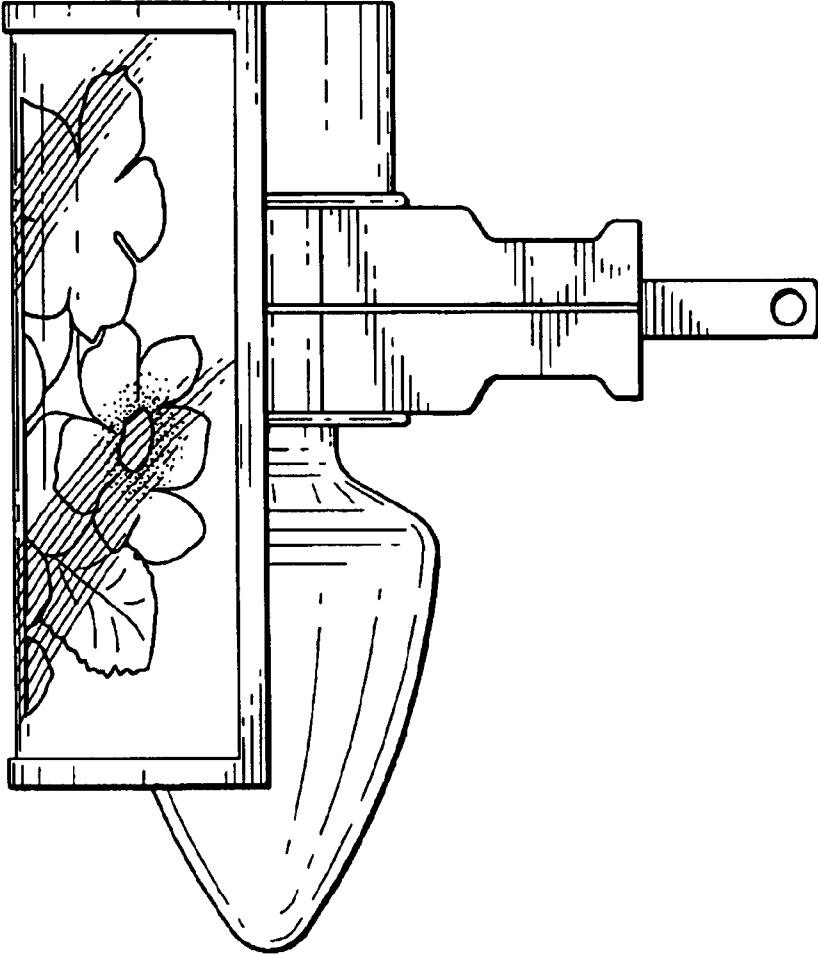


FIG. 3

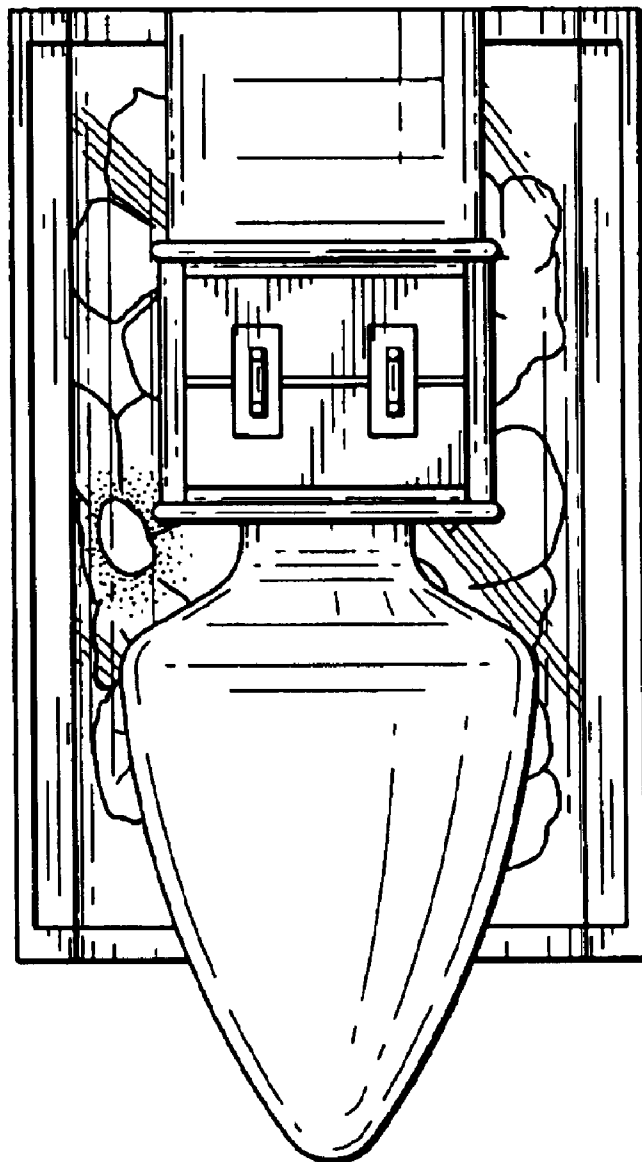


FIG. 4

