



US00D695646S

(12) **United States Design Patent**  
**Uchino**

(10) **Patent No.:** **US D695,646 S**

(45) **Date of Patent:** **\*\* Dec. 17, 2013**

(54) **AUTOMOBILE AND/OR REPLICA THEREOF**

**FOREIGN PATENT DOCUMENTS**

(75) Inventor: **Hideaki Uchino**, Saitama (JP)

JP 1335665 S 7/2008

(73) Assignee: **Honda Motor Co., Ltd**, Tokyo (JP)

**OTHER PUBLICATIONS**

(\*\*) Term: **14 Years**

Japanese Office Action dated Jul. 6, 2012, issued in corresponding Japanese Patent Application No. 2011-028357, with English translation (4 pages).

(21) Appl. No.: **29/424,049**

\* cited by examiner

(22) Filed: **Jun. 7, 2012**

*Primary Examiner* — Melody Brown

(30) **Foreign Application Priority Data**

(74) *Attorney, Agent, or Firm* — Westerman, Hattori, Daniels & Adrian, LLP

Dec. 7, 2011 (JP) ..... 2011-028357

(51) **LOC (9) Cl.** ..... **12-08**

(57) **CLAIM**

The ornamental design for, an automobile and/or replica thereof, as shown and described.

(52) **U.S. Cl.**

USPC ..... **D12/92**

**DESCRIPTION**

(58) **Field of Classification Search**

USPC ..... D12/86, 90-92; D21/424, 433, 434;  
296/181.1, 181.5

See application file for complete search history.

FIG. 1 is a perspective view of an automobile and/or replica thereof, showing our new design;  
FIG. 2 is a perspective view thereof;  
FIG. 3 is a front elevation view thereof;  
FIG. 4 is a rear elevation view thereof;  
FIG. 5 is a top plan view thereof;  
FIG. 6 is a right side elevation view thereof; and,  
FIG. 7 is a left side elevation view thereof.

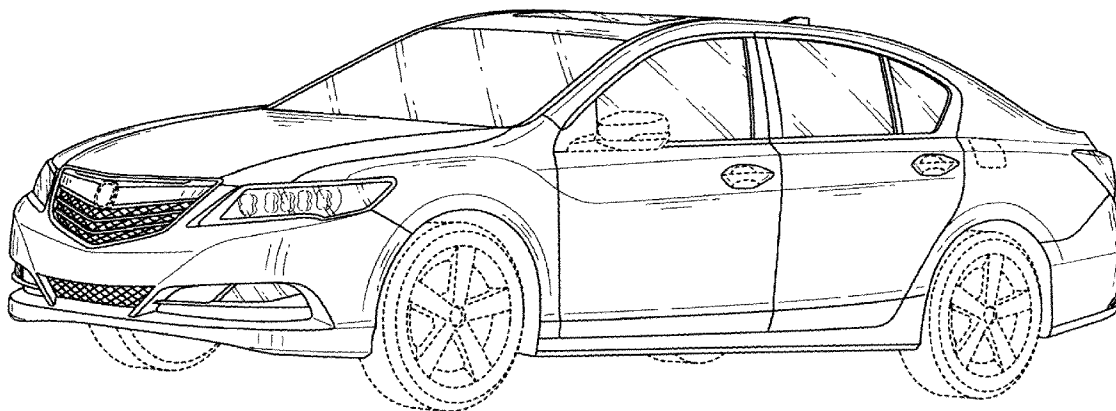
The broken lines are for illustrative purposes only and form no part of the claimed design.

(56) **References Cited**

**U.S. PATENT DOCUMENTS**

D667,345 S *	9/2012	Tanai et al. ....	D12/92
D667,756 S *	9/2012	Asakura et al. ....	D12/92
D671,459 S *	11/2012	Yamada et al. ....	D12/92
D672,689 S *	12/2012	Kubota et al. ....	D12/92
D684,896 S *	6/2013	Scheinutte ....	D12/92

**1 Claim, 7 Drawing Sheets**



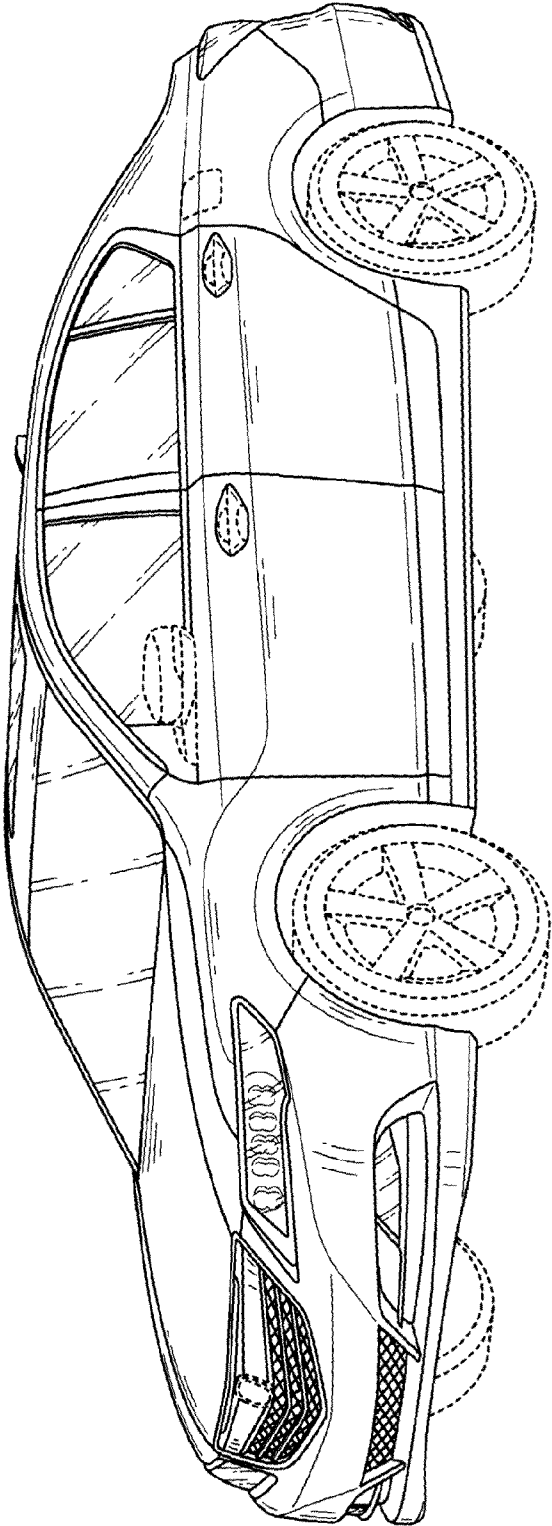


FIG. 1

FIG. 2

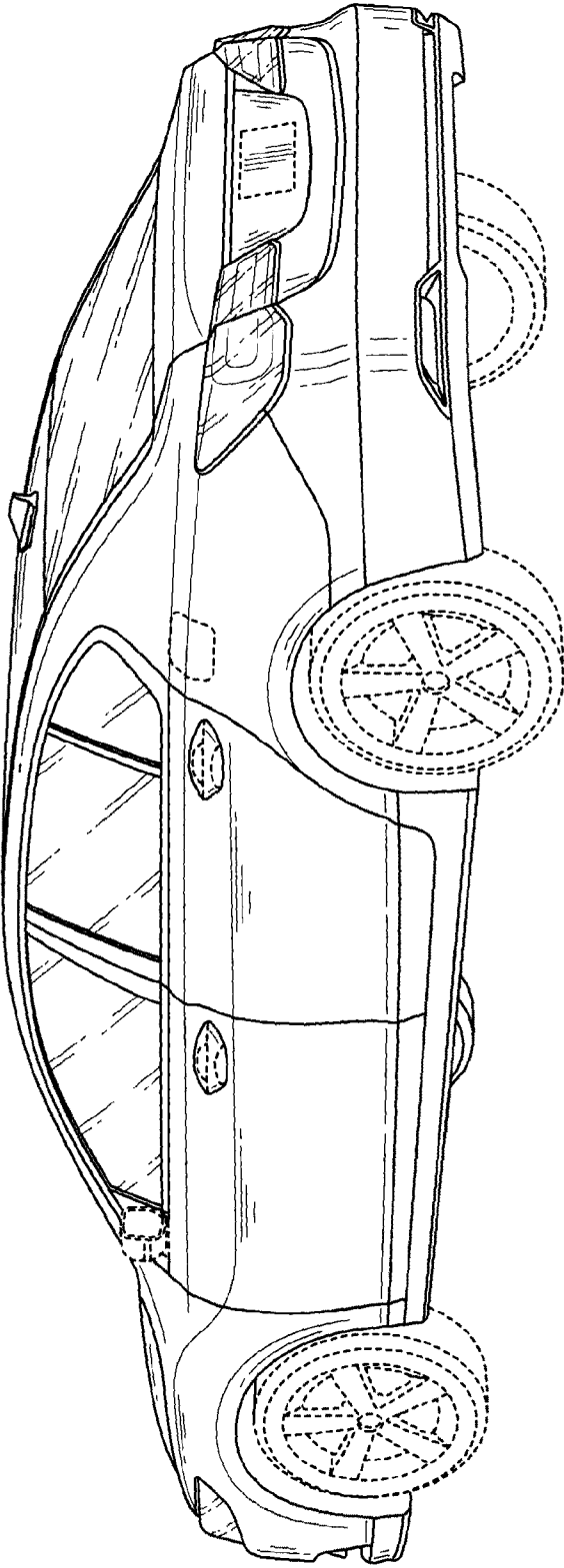


FIG. 3

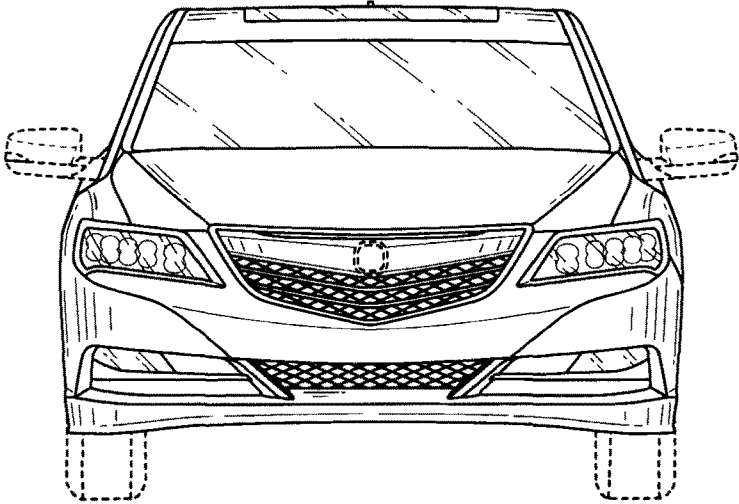


FIG. 4

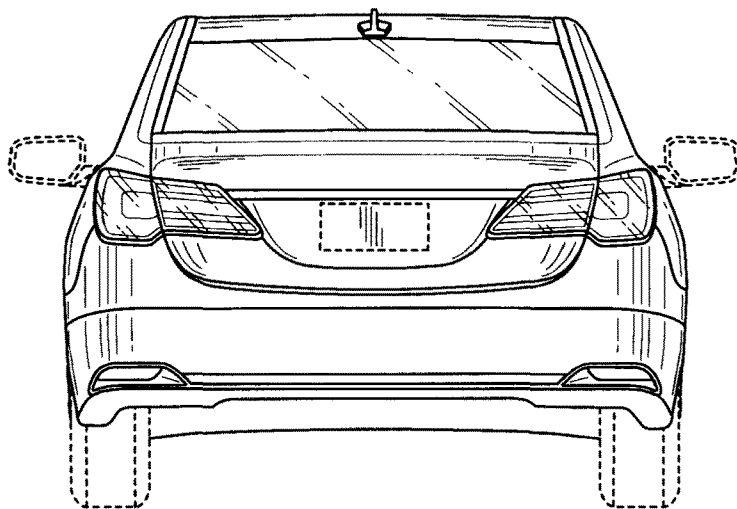
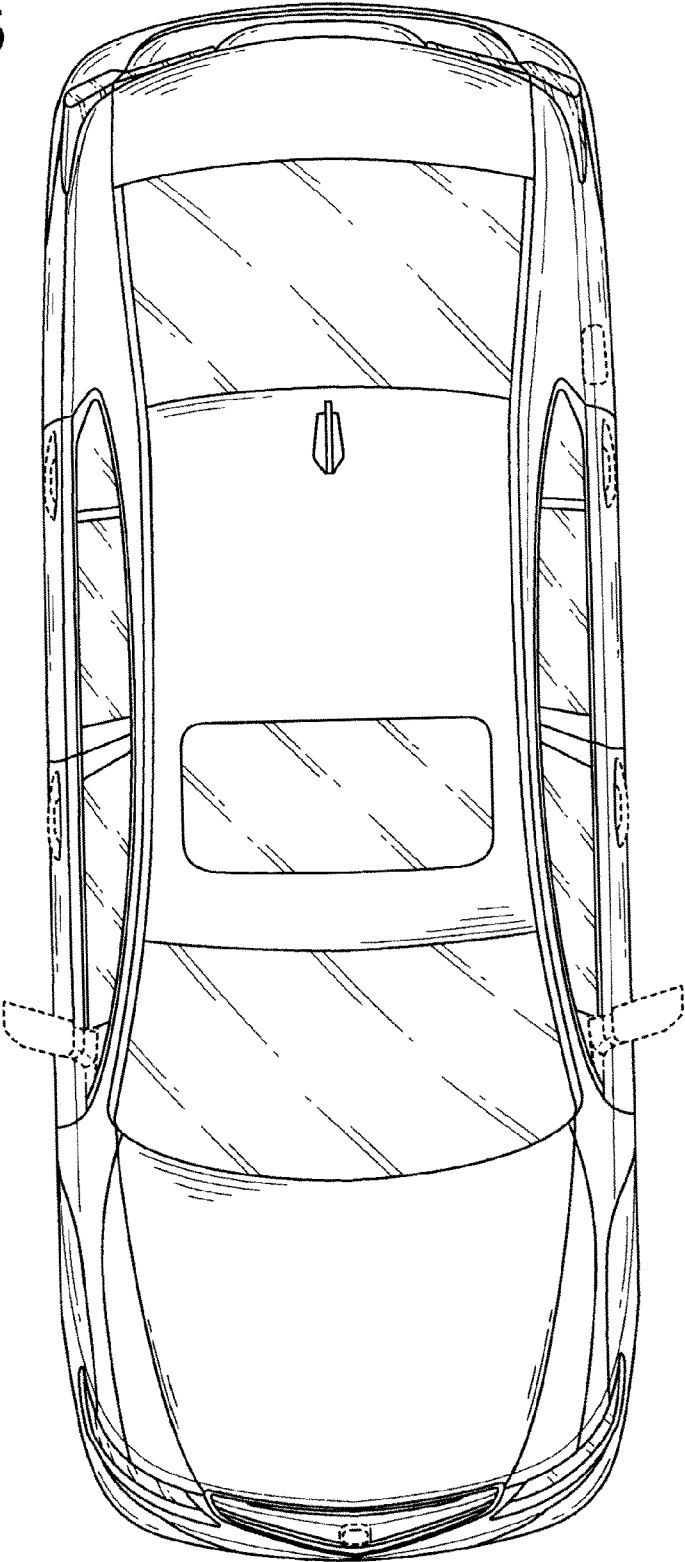


FIG. 5



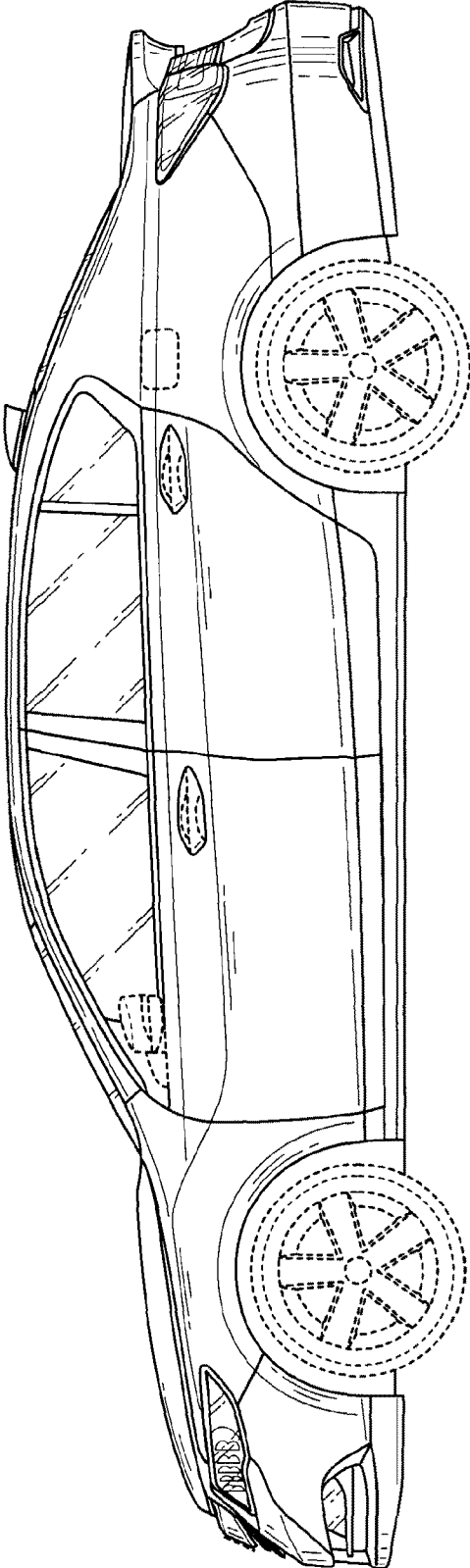


FIG. 6

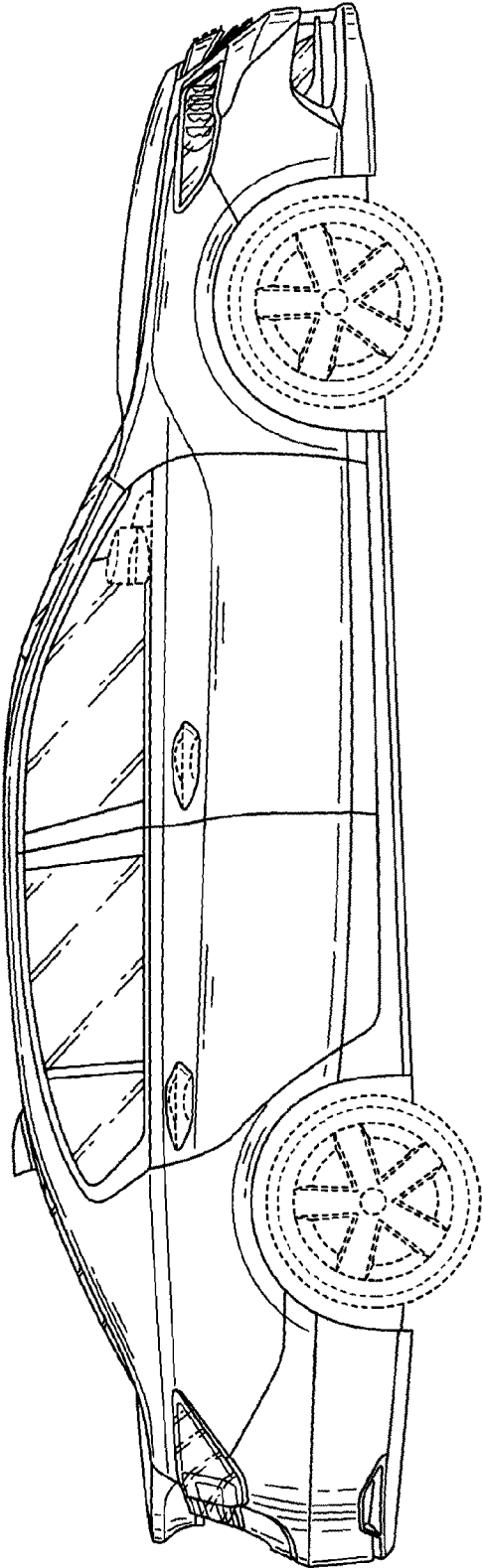


FIG. 7