



US00D643286S

(12) **United States Design Patent**  
**Zomorodi et al.**

(10) **Patent No.:** **US D643,286 S**

(45) **Date of Patent:** **\*\* Aug. 16, 2011**

(54) **PARFAIT CUP**

(75) Inventors: **Brian Zomorodi**, La Canada Flintridge, CA (US); **Loys Larpin**, Monrovia, CA (US)

(73) Assignee: **Ready Pac Foods, Inc.**, Irwindale, CA (US)

(\*\*) Term: **14 Years**

(21) Appl. No.: **29/364,056**

(22) Filed: **Jun. 17, 2010**

**Related U.S. Application Data**

(63) Continuation of application No. 29/363,796, filed on Jun. 14, 2010.

(51) **LOC (9) Cl.** ..... **09-03**

(52) **U.S. Cl.** ..... **D9/429**

(58) **Field of Classification Search** ..... D9/414, D9/418, 424, 425, 428, 429, 431, 435; D7/619, D7/629; 229/400-406, 932, 906.1; 220/656-659, 220/669-675, 912, 4.21-4.27; 206/553, 206/557, 541, 775, 776

See application file for complete search history.

(56) **References Cited**

**U.S. PATENT DOCUMENTS**

3,912,118 A \* 10/1975 Bird ..... 206/508  
D239,920 S \* 5/1976 Smith ..... D9/428

4,508,235 A \* 4/1985 Steele et al. .... 215/307  
D449,986 S \* 11/2001 Schaefer ..... D9/434  
D453,107 S \* 1/2002 Wyslowsky et al. .... D9/418  
6,357,619 B1 \* 3/2002 Schaefer ..... 220/709  
D455,652 S \* 4/2002 Wyslowsky et al. .... D9/429  
D473,788 S \* 4/2003 Chen et al. .... D9/428  
D536,579 S \* 2/2007 Roth et al. .... D7/601  
D631,693 S \* 2/2011 Giraud et al. .... D7/396.1

\* cited by examiner

*Primary Examiner* — Thomas Johannes

(74) *Attorney, Agent, or Firm* — Jones Day

(57) **CLAIM**

The ornamental design for a parfait cup, as shown and described.

**DESCRIPTION**

FIG. 1 is a perspective view of a parfait cup showing our new design;

FIG. 2 is an exploded, perspective view thereof;

FIG. 3 is a side elevation view thereof;

FIG. 4 is another side elevation view thereof;

FIG. 5 is another side elevation view thereof;

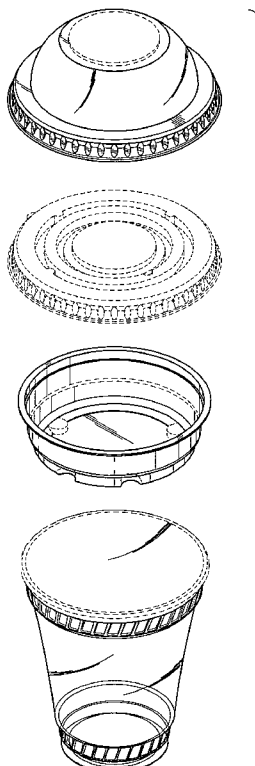
FIG. 6 is another side elevation view thereof;

FIG. 7 is a top plan view thereof; and,

FIG. 8 is a bottom plan view thereof.

The broken line portion of the figure drawings is included to show unclaimed subject matter only and forms no part of the claimed design.

**1 Claim, 3 Drawing Sheets**



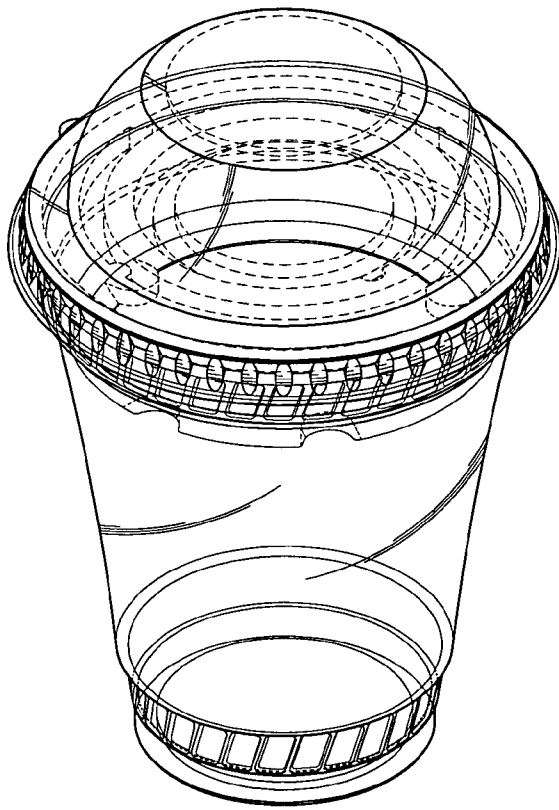


FIG. 1

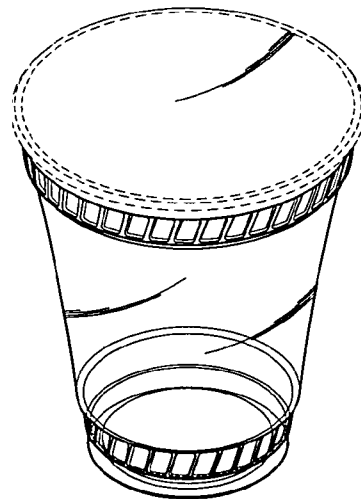
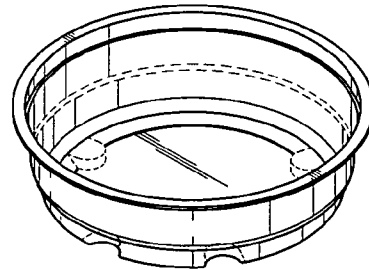
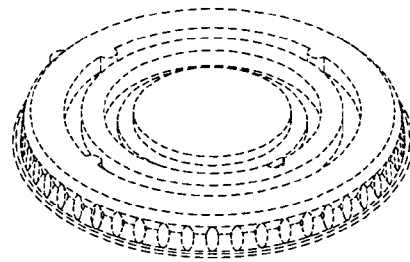
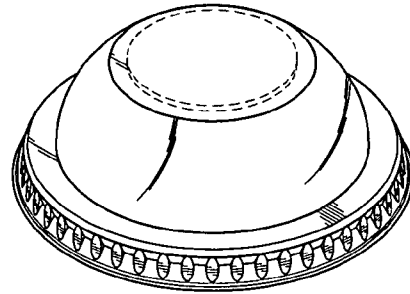


FIG. 2

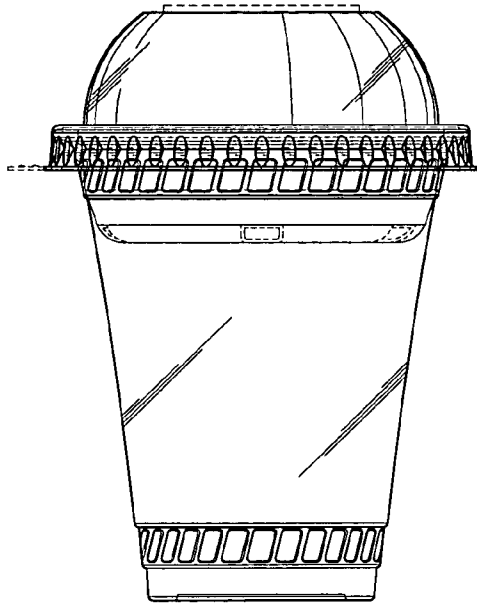


FIG. 3

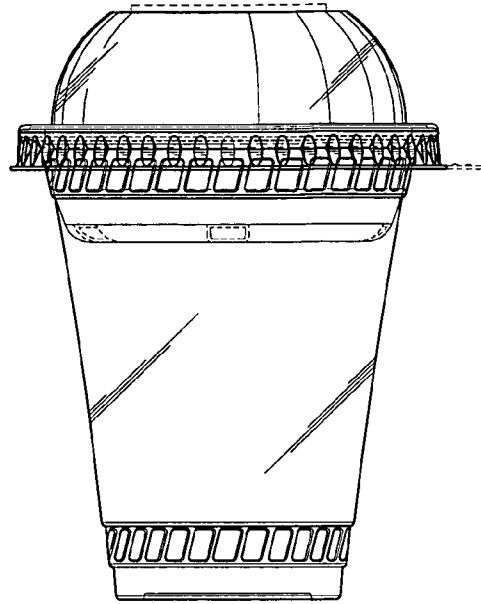


FIG. 4

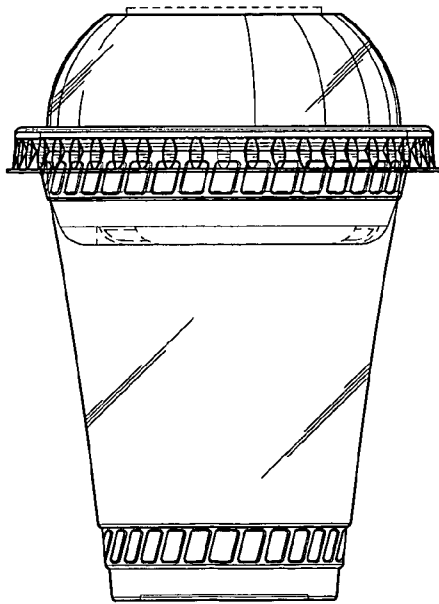


FIG. 5

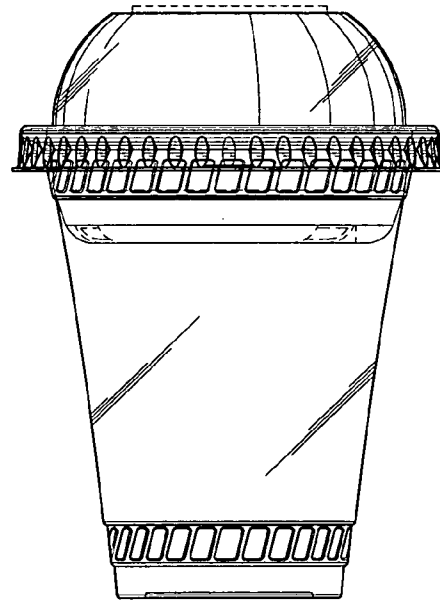


FIG. 6

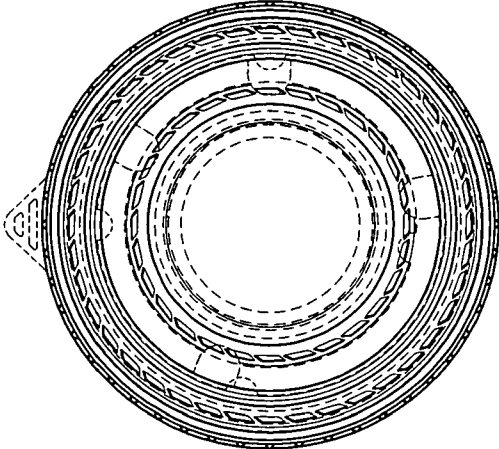


FIG. 7

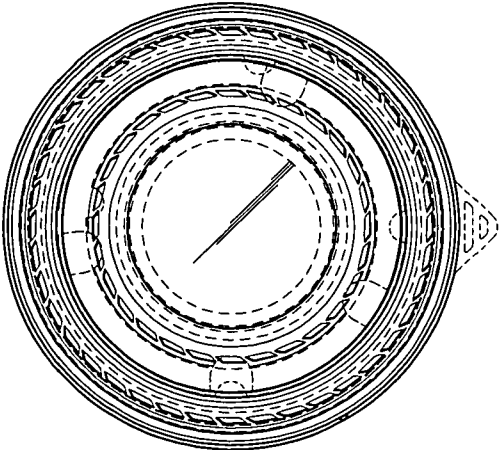


FIG. 8