



US00D422964S

# United States Patent [19] Lam

[11] Patent Number: Des. 422,964

[45] Date of Patent: \*\* Apr. 18, 2000

[54] SOLAR BATTERY CHARGER WITH METER

[75] Inventor: **Yuen-Ming Lam**, Chaiwan, The Hong Kong Special Administrative Region of the People's Republic of China

[73] Assignee: **Ever Step Development Limited**, The Hong Kong Special Administrative Region of the People's Republic of China

[\*\*] Term: **14 Years**

[21] Appl. No.: **29/102,587**

[22] Filed: **Mar. 26, 1999**

[51] LOC (6) Cl. .... **13-02**

[52] U.S. Cl. .... **D13/107**

[58] Field of Search ..... D13/102, 107, D13/108; D14/251, 253; 320/110-115

[56] **References Cited**

U.S. PATENT DOCUMENTS

- D. 214,732 7/1969 Dailey ..... D13/107
- D. 278,703 5/1985 Chiodo et al. .... D13/107

- D. 375,934 11/1996 Rosen et al. .... D13/107
- D. 400,162 10/1998 Lam ..... D13/107
- D. 400,163 10/1998 Lam ..... D13/107
- 5,057,761 10/1991 Felegyhazi, Sr. .... 320/110

Primary Examiner—Joel Sincavage

Attorney, Agent, or Firm—Burns, Doane, Swecker & Mathis, L.L.P.

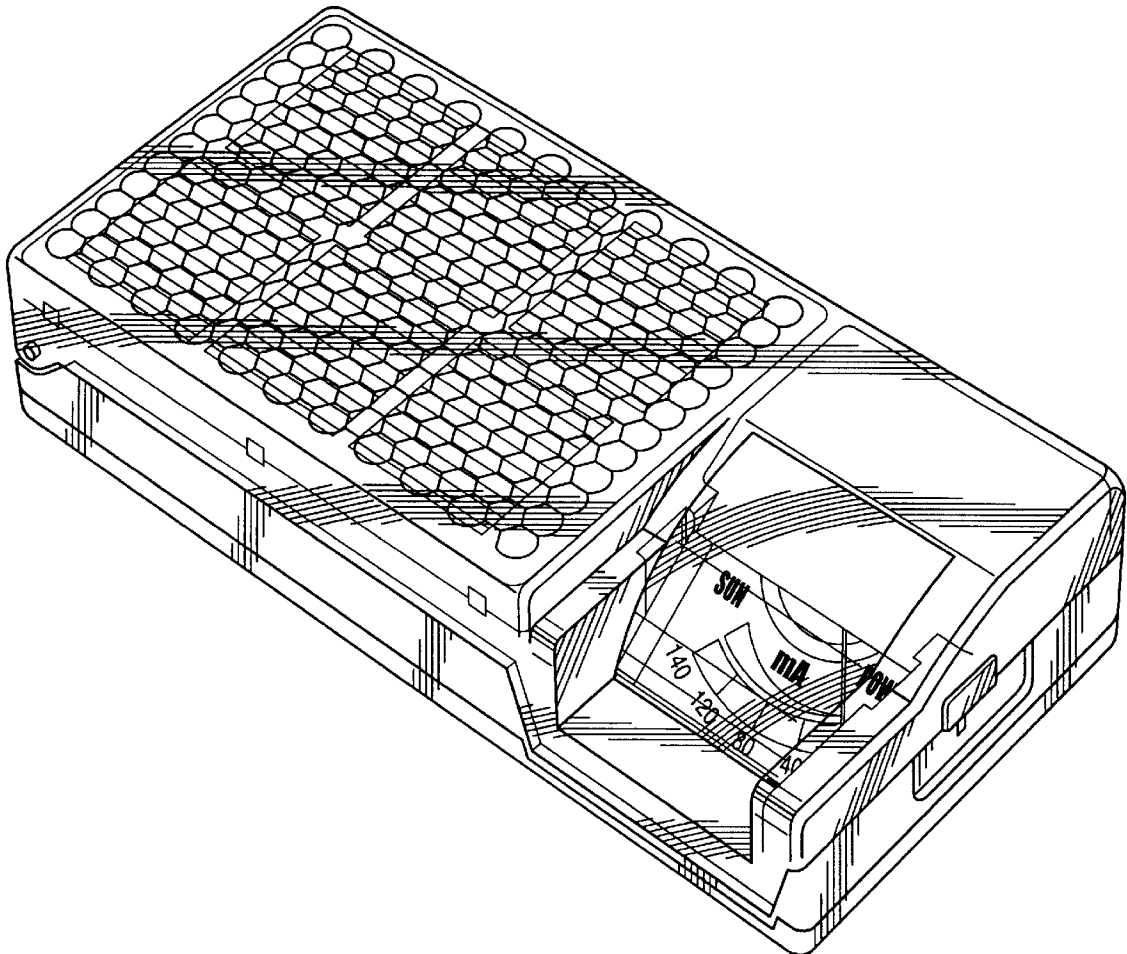
[57] **CLAIM**

The ornamental design for “solar battery charger with meter”, as shown and described.

**DESCRIPTION**

FIG. 1 is a front perspective view of “solar battery charger with meter” showing my design;  
 FIG. 2 is a front perspective view with parts in alternative position thereof;  
 FIG. 3 is a top plan view thereof;  
 FIG. 4 is a bottom plan view thereof;  
 FIG. 5 is a front view thereof;  
 FIG. 6 is a rear view thereof;  
 FIG. 7 is a left side view thereof; and,  
 FIG. 8 is a right side view thereof.

**1 Claim, 5 Drawing Sheets**



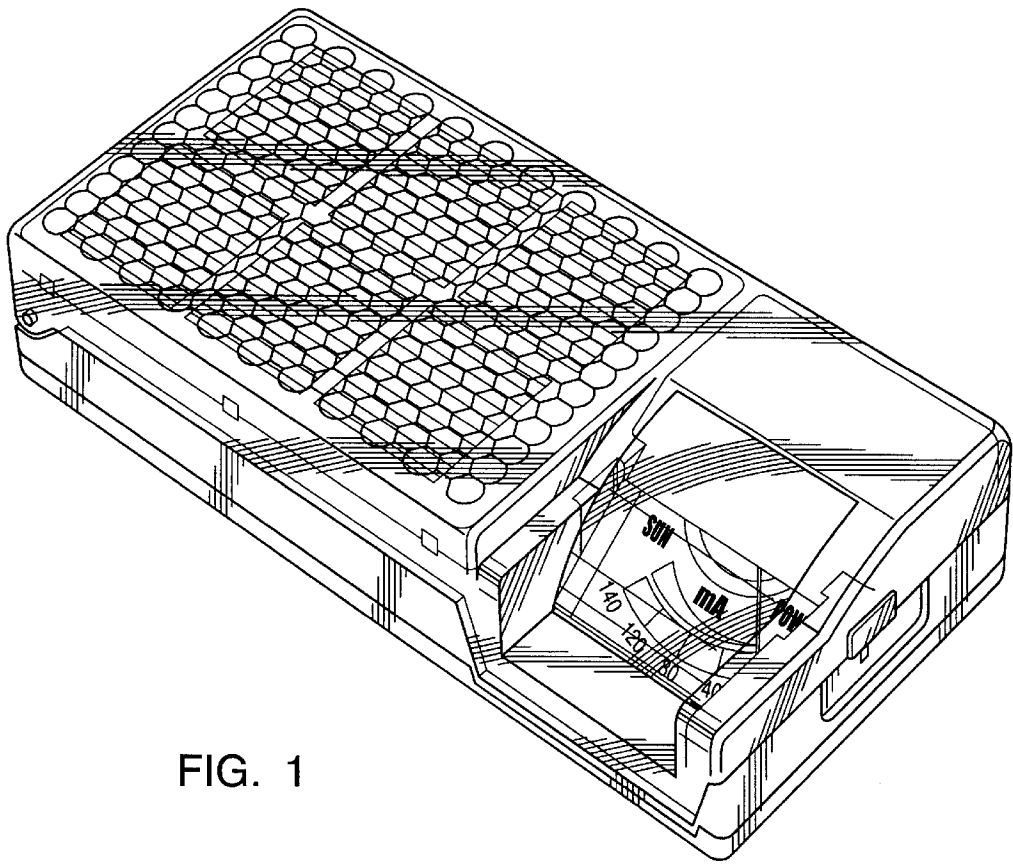


FIG. 1

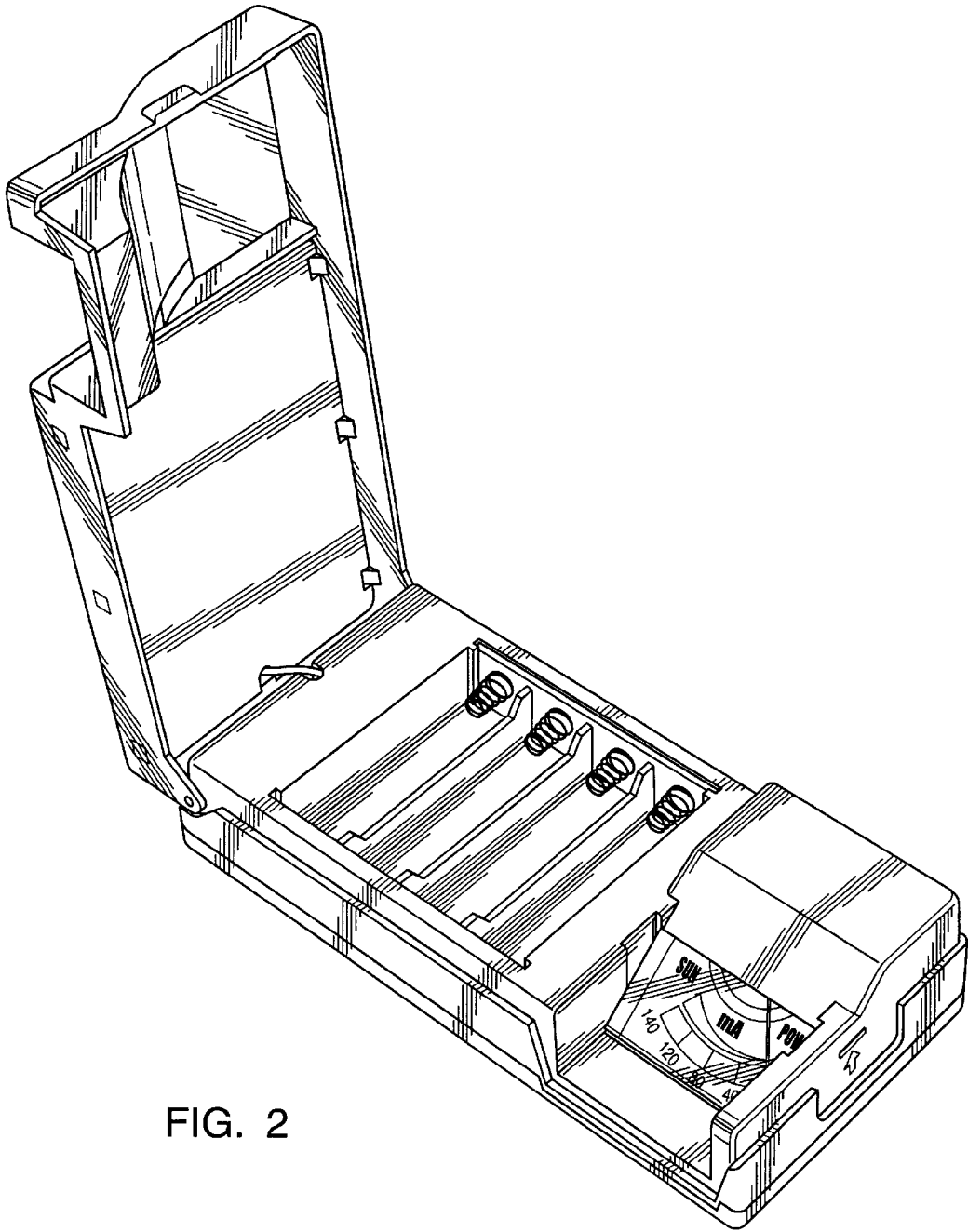


FIG. 2

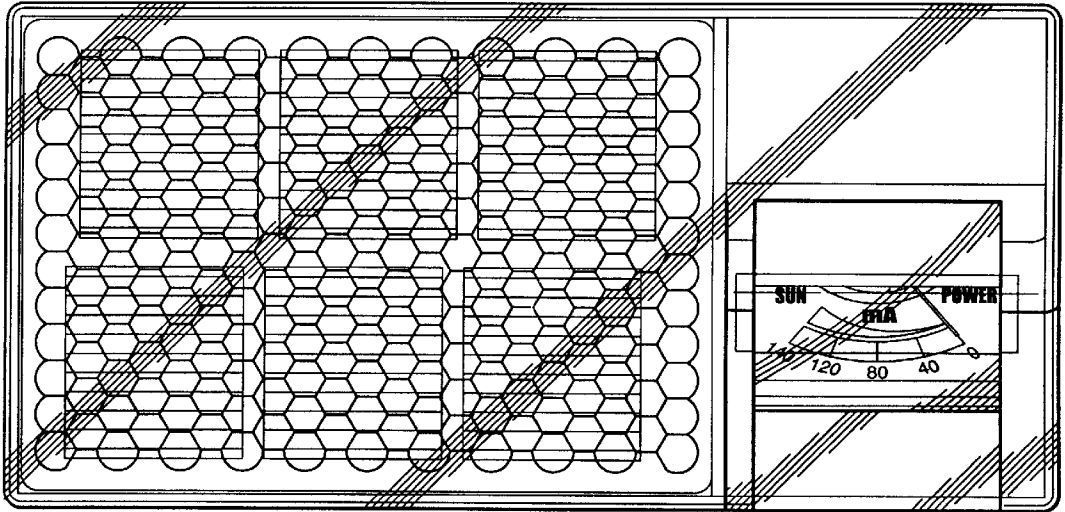


FIG. 3

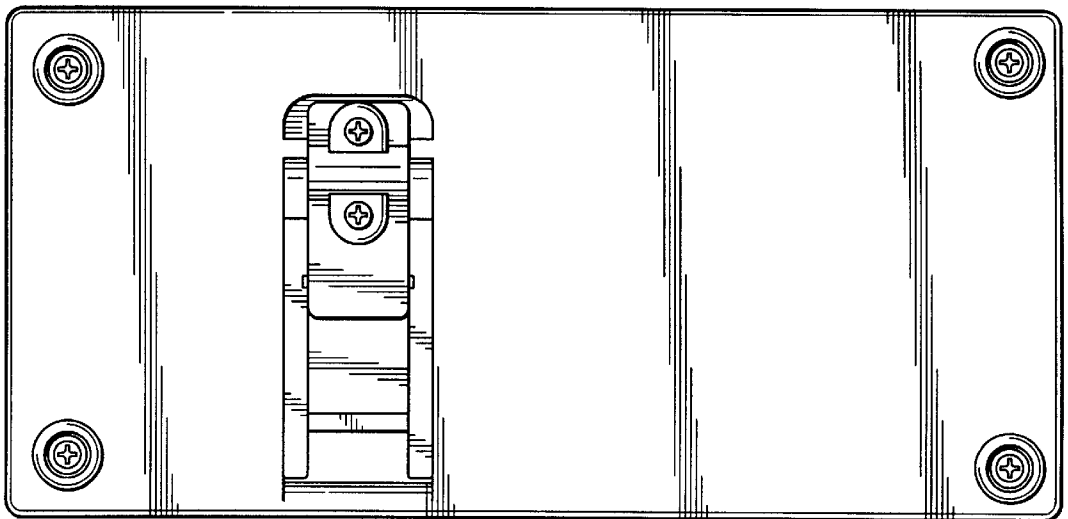


FIG. 4

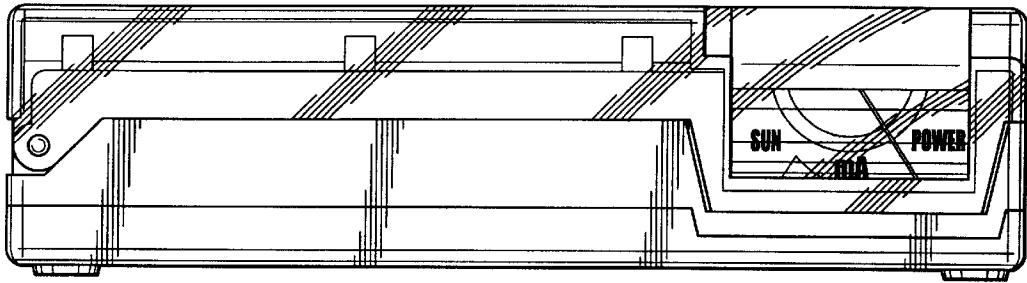


FIG. 5

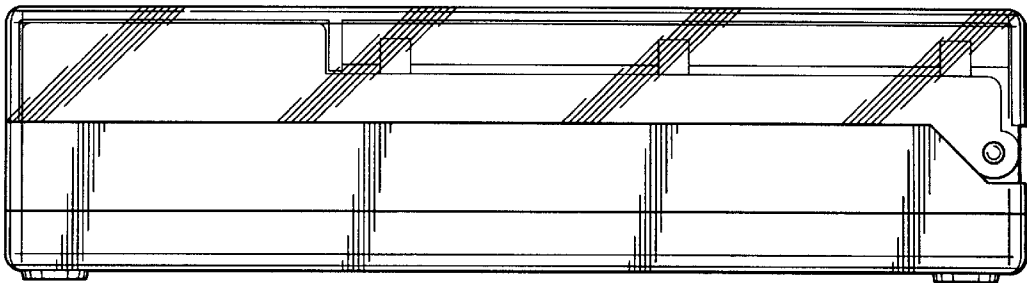


FIG. 6

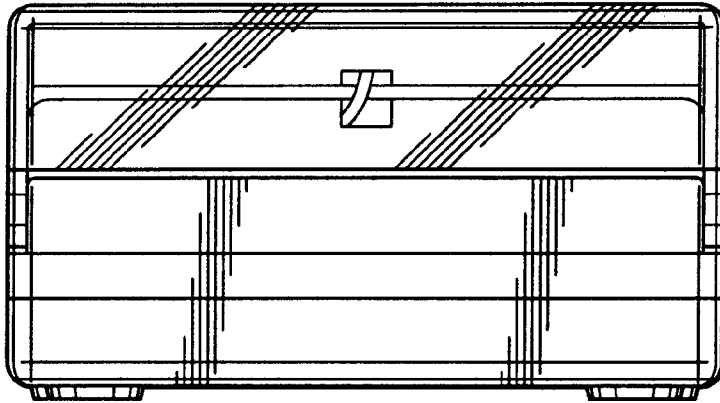


FIG. 7

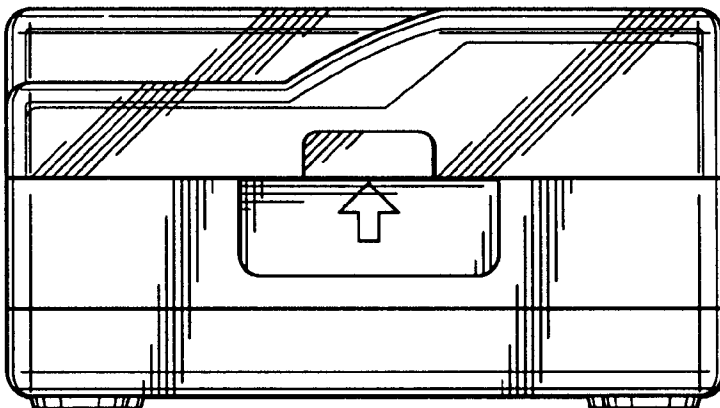


FIG. 8