



US00D596273S

(12) **United States Design Patent**
Porter

(10) **Patent No.:** **US D596,273 S**

(45) **Date of Patent:** **** Jul. 14, 2009**

(54) **SCUPPER BOX**

D582,020 S * 12/2008 Porter D23/267

(76) Inventor: **William D. Porter**, 1868 Mill Hill Rd.,
St. Clair, MO (US) 63077

OTHER PUBLICATIONS
The Copper Gutter Shop, Conductor Heads, The Standard, The
Wolford, The Krupp, Sep. 2006.

(**) Term: **14 Years**

* cited by examiner

(21) Appl. No.: **29/305,852**

Primary Examiner—T. Chase Nelson

Assistant Examiner—Eric L. Goodman

(22) Filed: **Mar. 28, 2008**

(74) *Attorney, Agent, or Firm*—Grace J. Fishel

(51) **LOC (9) Cl.** **23-01**

(57) **CLAIM**

(52) **U.S. Cl.** **D23/267**

The ornamental design for a scupper box, as shown.

(58) **Field of Classification Search** D23/267;
52/11, 16; 285/183, 424

See application file for complete search history.

DESCRIPTION

(56) **References Cited**

FIG. 1 is a perspective view of a scupper box showing my new
design;

U.S. PATENT DOCUMENTS

FIG. 2 is an front elevation thereof;

803,364 A * 10/1905 Rubispieirre 137/801

FIG. 3 is a top plan view thereof;

D230,597 S * 3/1974 Settle D23/262

FIG. 4 is a right side elevation thereof; the left side being a
mirror image;

D260,422 S * 8/1981 Husted D23/209

FIG. 5 is a rear elevation thereof; and,

D278,077 S * 3/1985 Lott D23/267

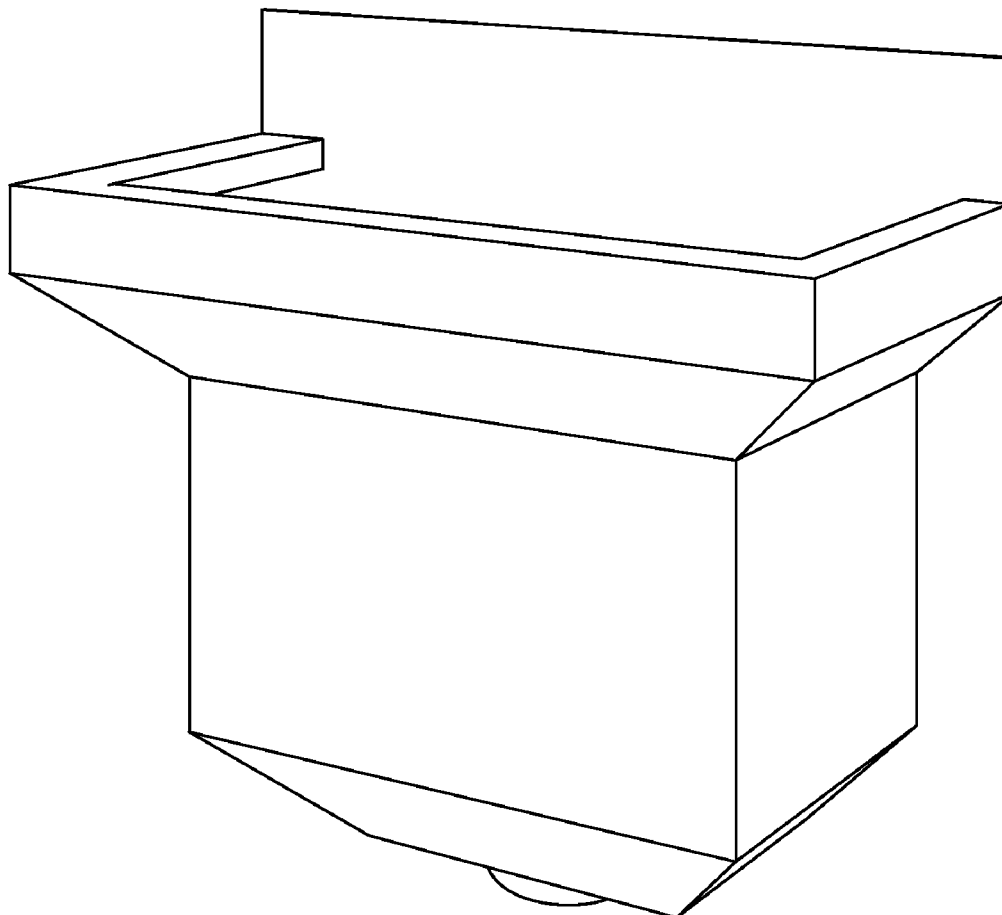
FIG. 6 is a bottom plan view thereof.

4,956,948 A * 9/1990 Hart 52/16

D475,440 S * 6/2003 Sawyer D23/267

7,096,627 B2 * 8/2006 Wade 52/12

1 Claim, 3 Drawing Sheets



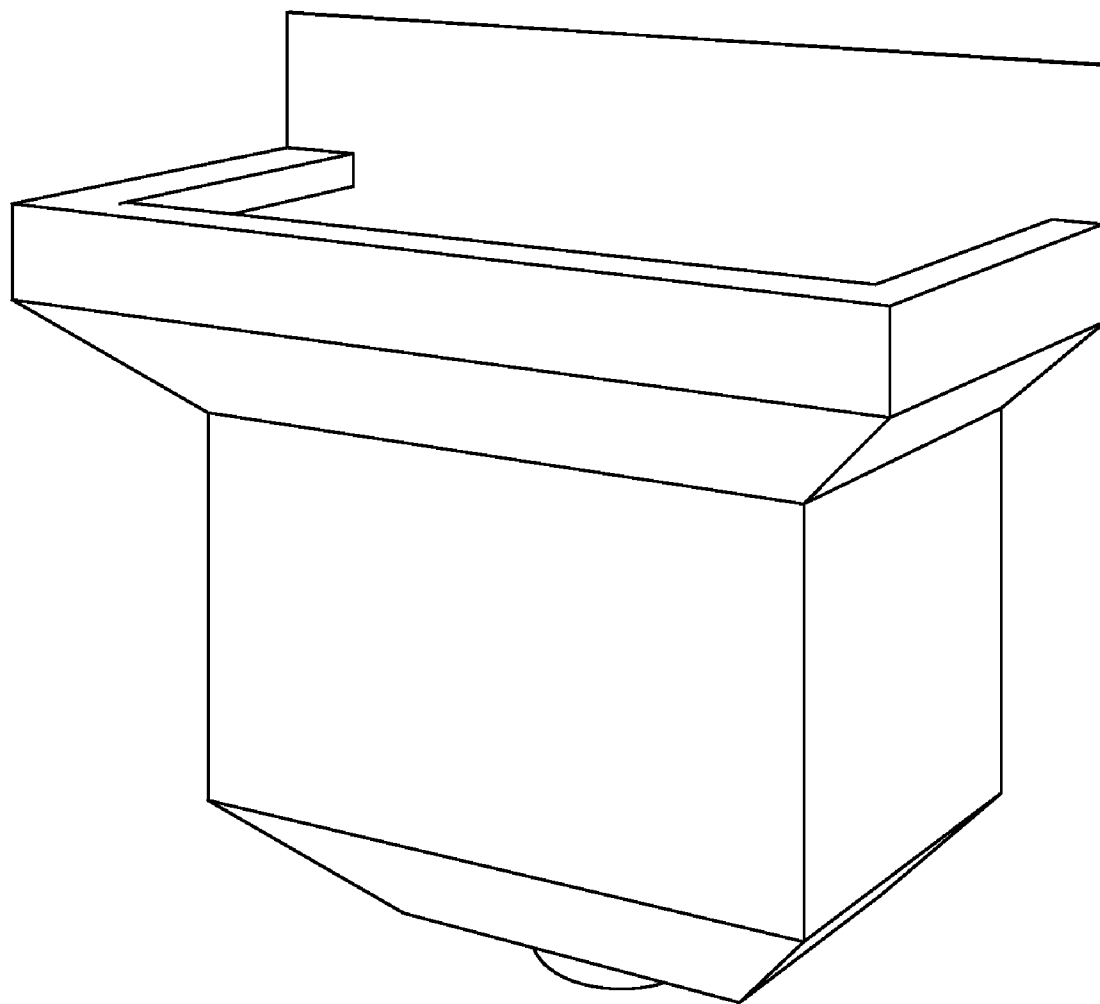


Fig. 1

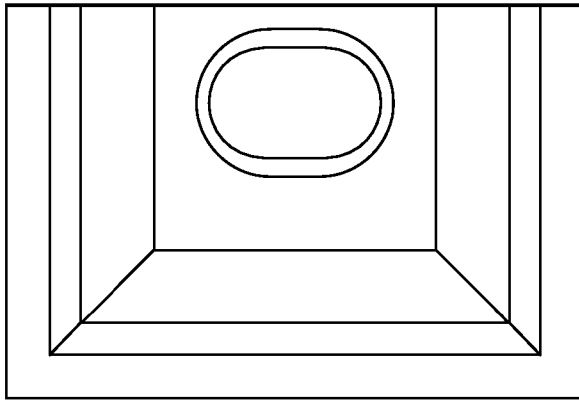


Fig. 3

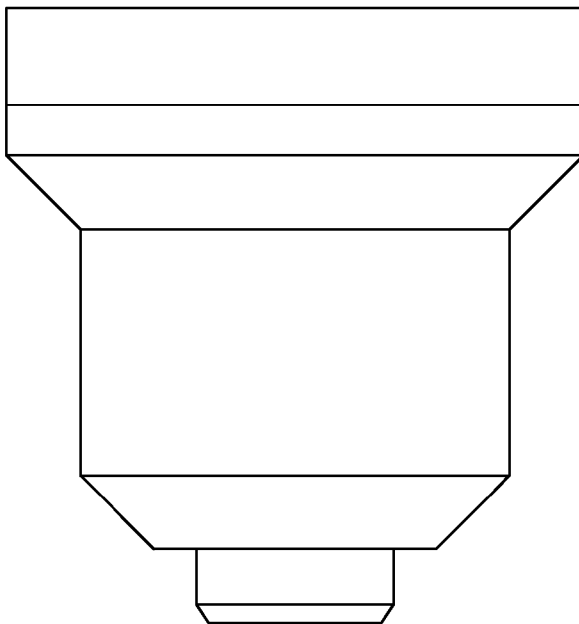


Fig. 2

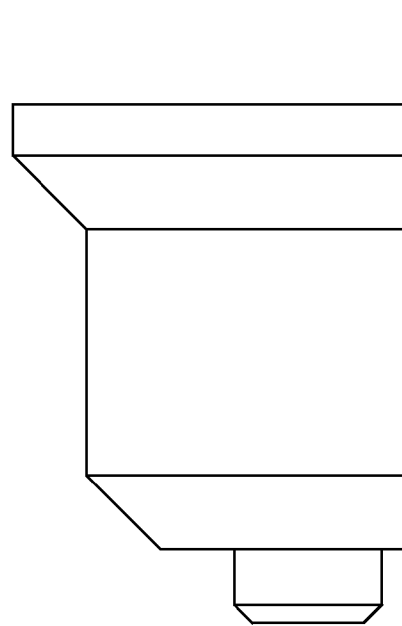


Fig. 4

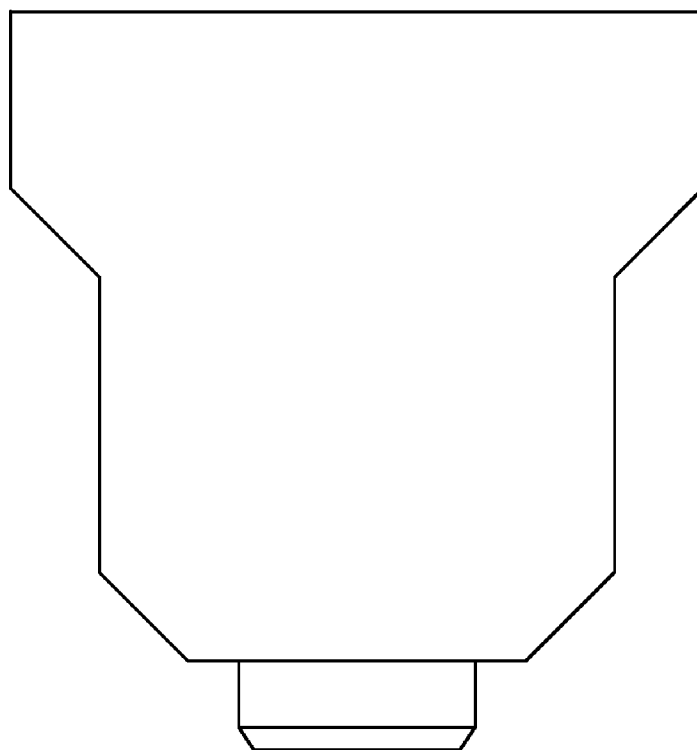


Fig. 5

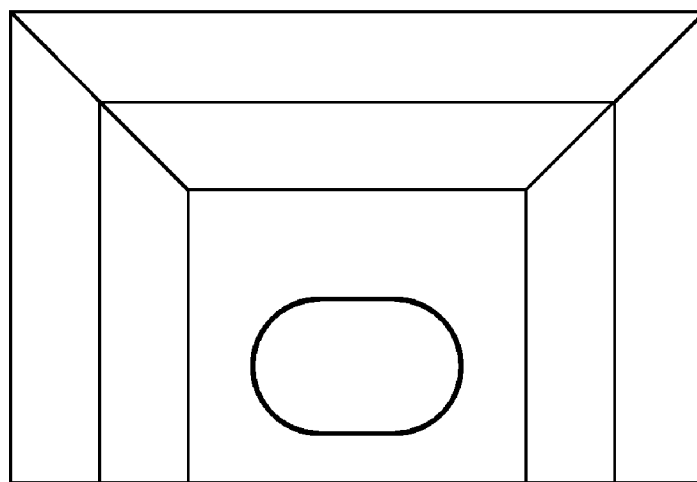


Fig. 6