

REVISED VERSION

(19) World Intellectual Property Organization
International Bureau



(10) International Publication Number
WO 2017/168445 A9

(43) International Publication Date
05 October 2017 (05.10.2017)

WIPO | PCT

(51) International Patent Classification:

D06F 23/04 (2006.01) D06F 37/16 (2006.01)
D06F 25/00 (2006.01) D06F 37/26 (2006.01)

(21) International Application Number:

PCT/IN2017/050113

(22) International Filing Date:

29 March 2017 (29.03.2017)

(25) Filing Language:

English

(26) Publication Language:

English

(30) Priority Data:

201641011095 30 March 2016 (30.03.2016) IN

(72) Inventors; and

(71) Applicants: THIRUMALAI ANANDAMPILLAI, Aparna [IN/IN]; 19, 1 street, Parthasarathy Nagar, Adambakam, Chennai -88, Chennai 600088 (IN). THIRUMALAI ANADAMPILLAI, Vijayan [IN/IN]; 19, 1 street, Parthasarathy Nagar, Adambakam, Chennai -88, Chennai 600088 (IN).

(81) Designated States (unless otherwise indicated, for every kind of national protection available): AE, AG, AL, AM,

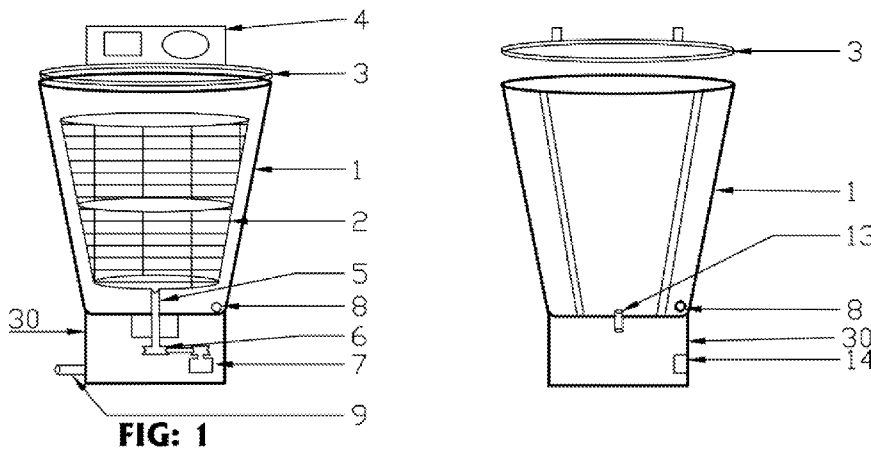
AO, AT, AU, AZ, BA, BB, BG, BH, BN, BR, BW, BY, BZ, CA, CH, CL, CN, CO, CR, CU, CZ, DE, DJ, DK, DM, DO, DZ, EC, EE, EG, ES, FI, GB, GD, GE, GH, GM, GT, HN, HR, HU, ID, IL, IN, IR, IS, JP, KE, KG, KH, KN, KP, KR, KW, KZ, LA, LC, LK, LR, LS, LU, LY, MA, MD, ME, MG, MK, MN, MW, MX, MY, MZ, NA, NG, NI, NO, NZ, OM, PA, PE, PG, PH, PL, PT, QA, RO, RS, RU, RW, SA, SC, SD, SE, SG, SK, SL, SM, ST, SV, SY, TH, TJ, TM, TN, TR, TT, TZ, UA, UG, US, UZ, VC, VN, ZA, ZM, ZW.

(84) Designated States (unless otherwise indicated, for every kind of regional protection available): ARIPO (BW, GH, GM, KE, LR, LS, MW, MZ, NA, RW, SD, SL, ST, SZ, TZ, UG, ZM, ZW), Eurasian (AM, AZ, BY, KG, KZ, RU, TJ, TM), European (AL, AT, BE, BG, CH, CY, CZ, DE, DK, EE, ES, FI, FR, GB, GR, HR, HU, IE, IS, IT, LT, LU, LV, MC, MK, MT, NL, NO, PL, PT, RO, RS, SE, SI, SK, SM, TR), OAPI (BF, BJ, CF, CG, CI, CM, GA, GN, GQ, GW, KM, ML, MR, NE, SN, TD, TG).

Declarations under Rule 4.17:

— of inventorship (Rule 4.17(iv))

(54) Title: AN IMPROVED WASHING MACHINE



(57) Abstract: This washing machine comprises of a truncated conical water tank (1) having inside a smaller truncated conical clothes drum (2). Clothes drum (2) has an inside partition (16) with sliding bolts (29) and a top detachable lid (17). Drive shaft (5) driven by an electrical motor (7) rotates the clothes drum (2). Clothes drum (2) has water circulating slots (15). Water tank (1) has valve fitted water inlet (11) and water drain (8). The water tank (1) has reinforcing outside ribs (28). Sensors for water level, temperature, fabric load fitted in the water tank and connected to the electronic control (4) controls the wash cycle. The truncated water tank uses less water. The clothes drum washes small and big clothes separately.



WO 2017/168445 A9

Published:

- *with international search report (Art. 21(3))*
- *before the expiration of the time limit for amending the claims and to be republished in the event of receipt of amendments (Rule 48.2(h))*

(88) Date of publication of the revised international search report:

16 November 2017 (16.11.2017)

(15) Information about Correction:

see Notice of 16 November 2017 (16.11.2017)

INTERNATIONAL SEARCH REPORT

International application No.

PCT / IN 2017/050113

A. CLASSIFICATION OF SUBJECT MATTER IPC: D06F 23/04 (2006.01); D06F 25/00 (2006.01); D06F 37/16 (2006.01); D06F 37/26 (2006.01) According to International Patent Classification (IPC) or to both national classification and IPC		
B. FIELDS SEARCHED Minimum documentation searched (classification system followed by classification symbols) D06F Documentation searched other than minimum documentation to the extent that such documents are included in the fields searched Electronic data base consulted during the international search (name of data base and, where practicable, search terms used) EPODOC, WPIAP		
C. DOCUMENTS CONSIDERED TO BE RELEVANT		
Category*	Citation of document, with indication, where appropriate, of the relevant passages	Relevant to claim No.
X	US 2328256 A (BRECKENRIDGE FRANK) 31 August 1943 (31.08.1943) abstract; Fig. 1; whole document	1, 3 - 6, 8 - 10
Y		2, 7
X	US 2416405 A (PURPURA AUGUST C) 25 February 1947 (25.02.1947) abstract; Fig. 1; whole document	1, 3 - 5, 8 - 10
Y		2, 7
Y	FR 2745824 A1 (LG ELECTRONICS INC.) 12 September 1997 (12.09.1997) abstract; Fig. 1	2
Y	JP H10127976 A (SANYO ELECTRIC CO LTD.) 19 May 1998 (19.05.1998) abstract; Figs. 1, 2, 7	7
<input type="checkbox"/> Further documents are listed in the continuation of Box C.		<input checked="" type="checkbox"/> See patent family annex.
* Special categories of cited documents: "A" document defining the general state of the art which is not considered to be of particular relevance "E" earlier application or patent but published on or after the international filing date "L" document which may throw doubts on priority claim(s) or which is cited to establish the publication date of another citation or other special reason (as specified) "O" document referring to an oral disclosure, use, exhibition or other means "P" document published prior to the international filing date but later than the priority date claimed		"T" later document published after the international filing date or priority date and not in conflict with the application but cited to understand the principle or theory underlying the invention "X" document of particular relevance; the claimed invention cannot be considered novel or cannot be considered to involve an inventive step when the document is taken alone "Y" document of particular relevance; the claimed invention cannot be considered to involve an inventive step when the document is combined with one or more other such documents, such combination being obvious to a person skilled in the art "&" document member of the same patent family
Date of the actual completion of the international search 25 August 2017 (25.08.2017)	Date of mailing of the international search report 07 September 2017 (07.09.2017)	
Name and mailing address of the ISA/AT Austrian Patent Office Dresdner Straße 87, A-1200 Vienna Facsimile No. +43 / 1 / 534 24-535	Authorized officer ENGLISCH M. Telephone No. +43 / 1 / 534 24-565	

INTERNATIONAL SEARCH REPORT
Information on patent family members

International application No.

PCT / IN 2017/050113

Patent document cited in search report			Patent family member(s)			Publication date
US	A	2328256	US	A	2328256	1943-08-31
US	A	2416405	US	A	2416405	1947-02-25
FR	A1	2745824	KR	B1	100192413	1999-06-15
			JP	A	H09239191	1997-09-16
			CN	A	1159497	1997-09-17
			FR	A1	2745824	1997-09-12
JP	A	H10127976	JP	A	H10127976	1998-05-19