



US00D464792S

(12) **United States Design Patent**
Brown

(10) **Patent No.:** **US D464,792 S**

(45) **Date of Patent:** **** Oct. 29, 2002**

(54) **HOLSTER FOR FISH HOLDER**

(76) Inventor: **Steven G. Brown**, 35 Dunklee St.,
Concord, NH (US) 03301

(**) Term: **14 Years**

(21) Appl. No.: **29/143,674**

(22) Filed: **Jun. 18, 2001**

(51) **LOC (7) Cl.** **03-01**

(52) **U.S. Cl.** **D3/215; D3/260**

(58) **Field of Search** D3/215, 218-224,
D3/228-229, 260, 262, 226, 230; 224/101,
103, 232, 240, 251, 616, 620, 901.2, 250,
269, 253, 148.6

(56) **References Cited**

U.S. PATENT DOCUMENTS

D314,277 S * 2/1991 Hackley 224/250
D370,120 S * 5/1996 Teraoka D3/220
D391,075 S * 2/1998 Jackson et al. D3/215

* cited by examiner

Primary Examiner—Louis S. Zarfaz

Assistant Examiner—Deanne Levy

(74) *Attorney, Agent, or Firm*—William B. Ritchie

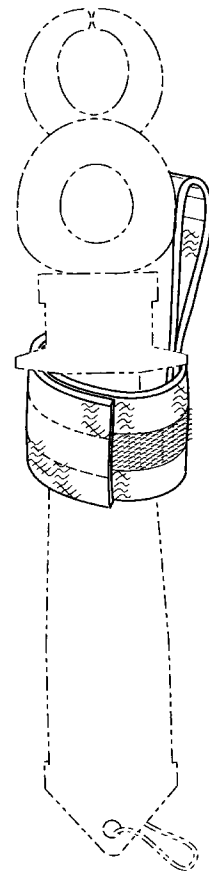
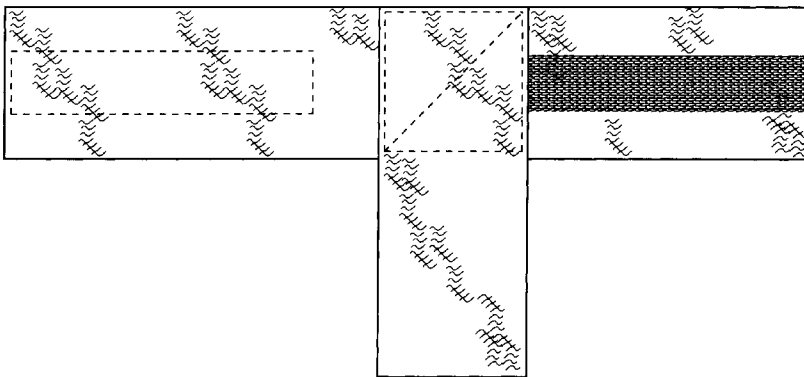
(57) **CLAIM**

The ornamental design for holster for fish holder, as shown and described.

DESCRIPTION

FIG. 1 is a front view of a first embodiment of a holster for fish holder, in a fully open position, showing my new design; FIG. 2 is a back view thereof; FIG. 3 is a left side view thereof; FIG. 4 is a right side view thereof; FIG. 5 is a top view thereof; FIG. 6 is a bottom view thereof; FIG. 7 is a perspective view of a holster for fish holder in a closed position of use; FIG. 8 is a front view of a second embodiment of a holster for fish holder, in a fully open position; FIG. 9 is a back view thereof; FIG. 10 is a left side view thereof; FIG. 11 is a right side view thereof; FIG. 12 is a top view thereof; FIG. 13 is a bottom view thereof; and, FIG. 14 is a perspective view of a second embodiment of a holster for fish holder in a closed position of use. The broken line showing of a fish holder is for illustrative purposes only and forms no part of the claimed design.

1 Claim, 10 Drawing Sheets



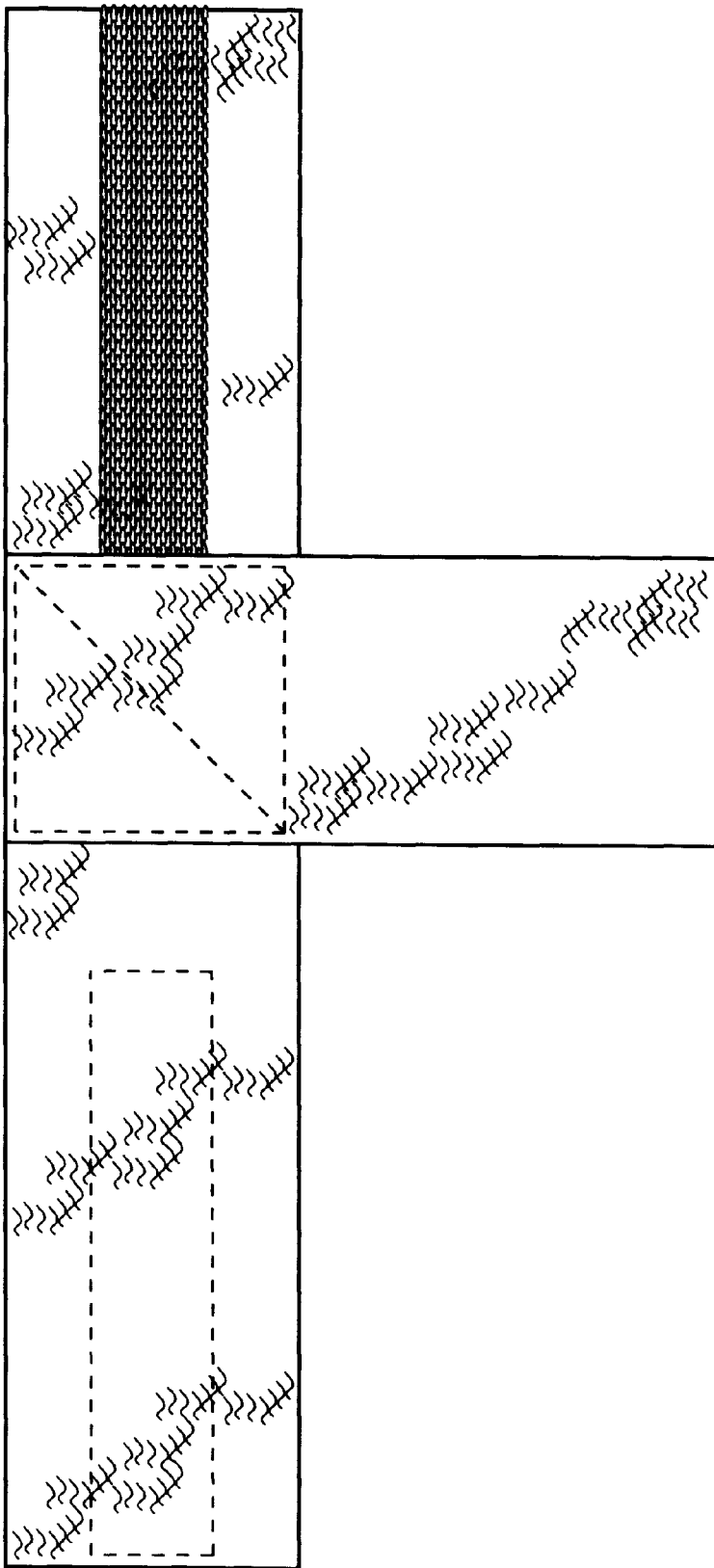


FIG. 1

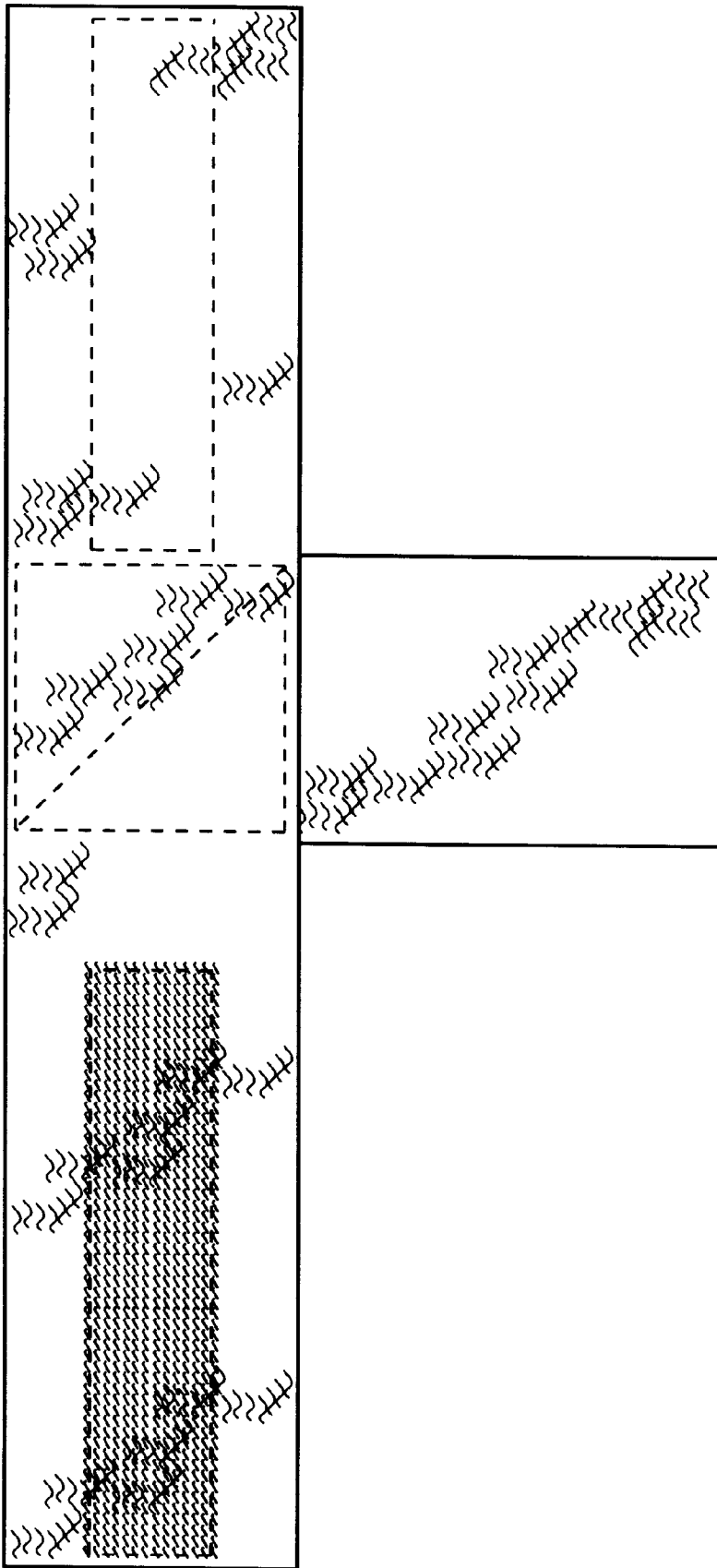


FIG. 2



FIG. 4



FIG. 3



FIG. 5



FIG. 6

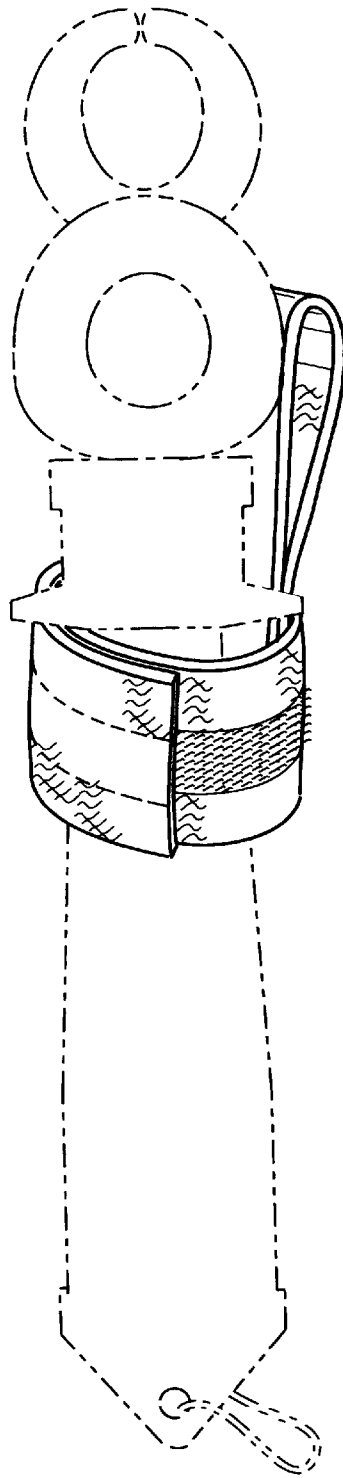


FIG. 7

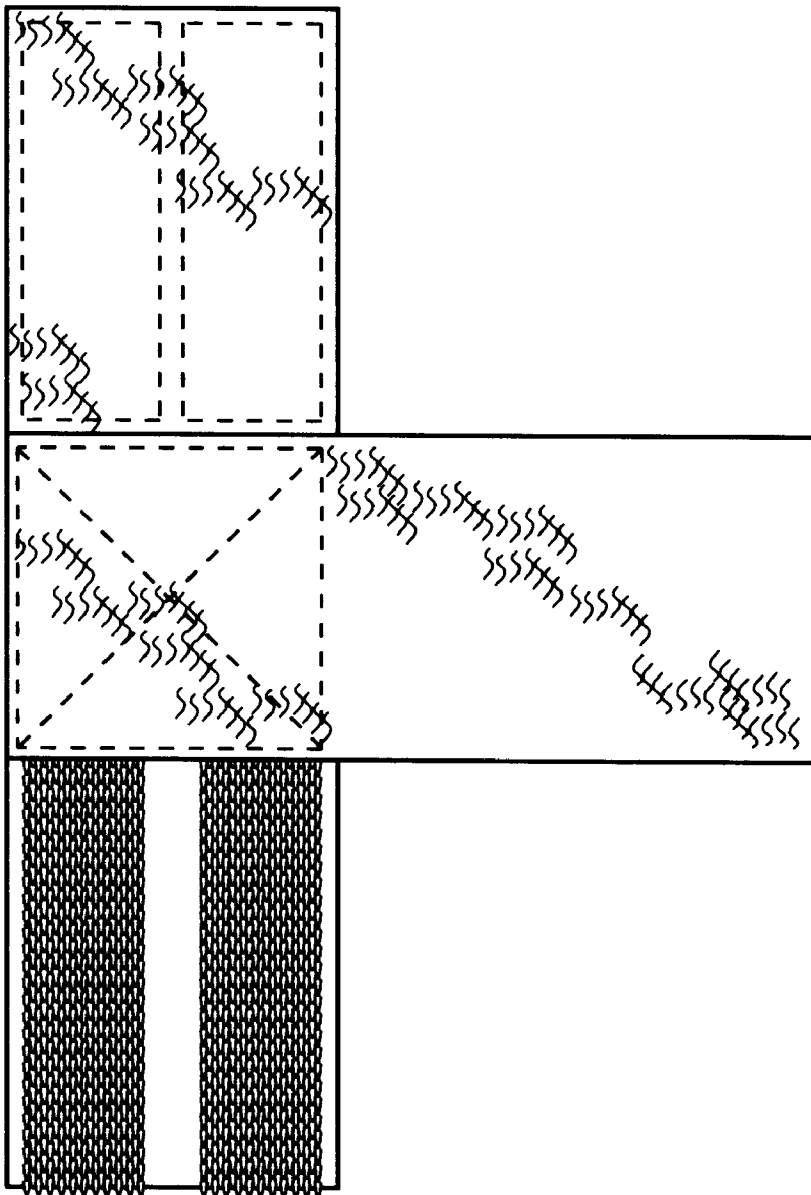


FIG. 8

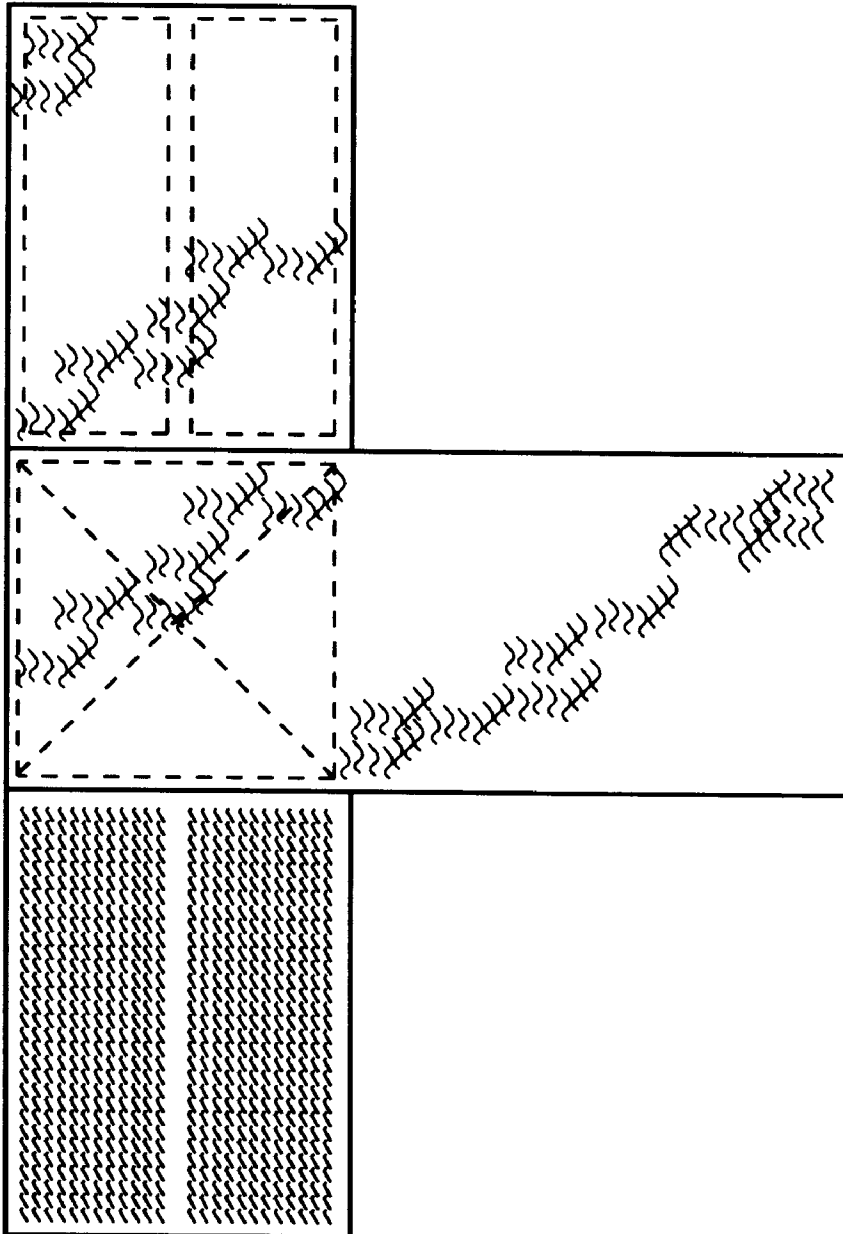


FIG. 9



FIG. 11



FIG. 10



FIG. 12



FIG. 13

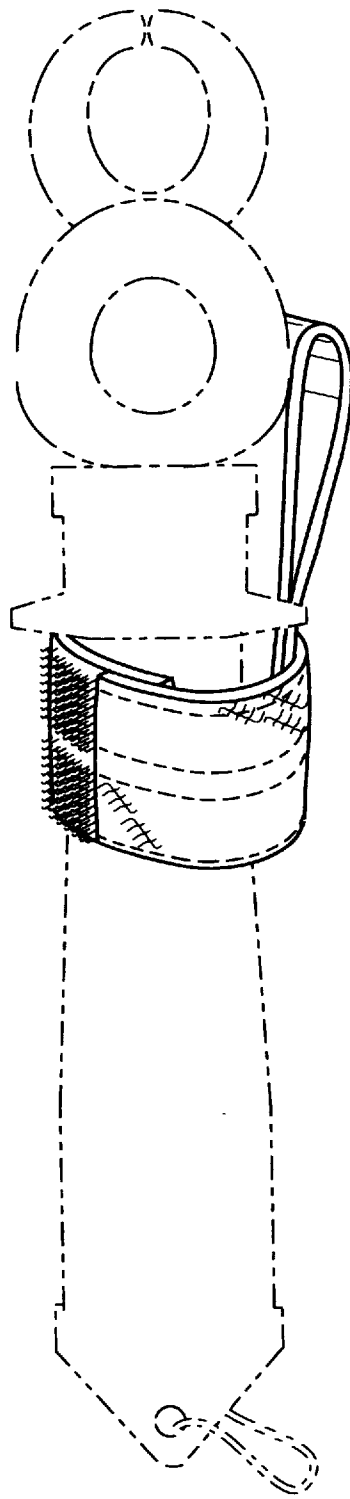


FIG. 14