

(19) World Intellectual Property Organization
International Bureau



(43) International Publication Date
11 May 2006 (11.05.2006)

PCT

(10) International Publication Number
WO 2006/049852 A3

- (51) International Patent Classification:
A61B 17/08 (2006.01) A61B 17/04 (2006.01)
- (21) International Application Number:
PCT/US2005/037265
- (22) International Filing Date: 14 October 2005 (14.10.2005)
- (25) Filing Language: English
- (26) Publication Language: English
- (30) Priority Data:
60/620,170 18 October 2004 (18.10.2004) US
- (71) Applicant (for all designated States except US): **TYCO HEALTHCARE GROUP, LP** [US/US]; 150 Glover Avenue, Norwalk, CT 06856 (US).
- (72) Inventor; and
- (75) Inventor/Applicant (for US only): **WENCHELL, Thomas** [US/US]; 73 Oak Terrace, Surham, TN 06422 (US).
- (74) Agent: **FARBER, Mark**; U.S. Surgical, a division of, Tyco Healthcare Group, LP, 195 McDermott Road, North Haven, CT 06473 (US).

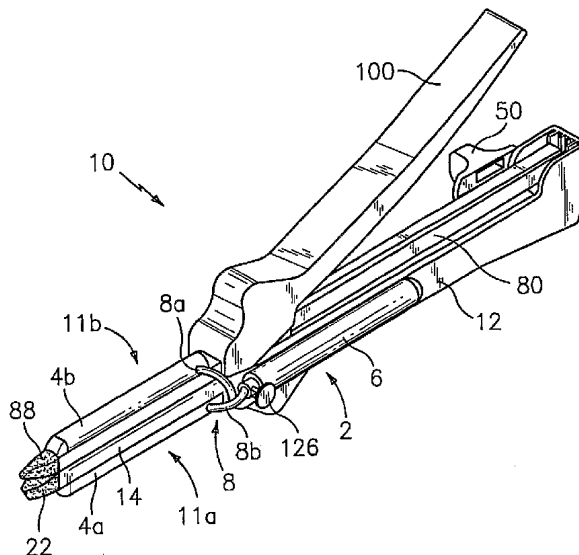
- (81) Designated States (unless otherwise indicated, for every kind of national protection available): AE, AG, AL, AM, AT, AU, AZ, BA, BB, BG, BR, BW, BY, BZ, CA, CH, CN, CO, CR, CU, CZ, DE, DK, DM, DZ, EC, EE, EG, ES, FI, GB, GD, GE, GH, GM, HR, HU, ID, IL, IN, IS, JP, KE, KG, KM, KP, KR, KZ, LC, LK, LR, LS, LT, LU, LV, LY, MA, MD, MG, MK, MN, MW, MX, MZ, NA, NG, NI, NO, NZ, OM, PG, PH, PL, PT, RO, RU, SC, SD, SE, SG, SK, SL, SM, SY, TJ, TM, TN, TR, TT, TZ, UA, UG, US, UZ, VC, VN, YU, ZA, ZM, ZW.
- (84) Designated States (unless otherwise indicated, for every kind of regional protection available): ARIPO (BW, GH, GM, KE, LS, MW, MZ, NA, SD, SL, SZ, TZ, UG, ZM, ZW), Eurasian (AM, AZ, BY, KG, KZ, MD, RU, TJ, TM), European (AT, BE, BG, CH, CY, CZ, DE, DK, EE, ES, FI, FR, GB, GR, HU, IE, IS, IT, LT, LU, LV, MC, NL, PL, PT, RO, SE, SI, SK, TR), OAPI (BF, BJ, CF, CG, CI, CM, GA, GN, GQ, GW, ML, MR, NE, SN, TD, TG).

Published:

— with international search report

- (88) Date of publication of the international search report:
7 May 2009

(54) Title: APPARATUS FOR APPLYING WOUND TREATMENT MATERIAL USING TISSUE-PENETRATING NEEDLES



(57) Abstract: A surgical apparatus is provided including a disposable loading unit selectively operatively engagable within a distal end of a first half-section; and a wound treatment material applicator assembly for delivering wound treatment material to the target surgical site. The disposable loading unit includes a cartridge; a plurality of deployable needles supported within the cartridge, wherein each needle includes a lumen extending therethrough and at least one hole formed in an outer periphery thereof; and an actuation member translatably disposed within the cartridge for delivering a driving force to each needle to deploy the needles from the cartridge. The applicator assembly includes a first and second reservoir supported on the distal end of a respective first and second half-section; and a source of wound treatment material in fluid communication with each reservoir.

WO 2006/049852 A3

INTERNATIONAL SEARCH REPORT

International application No.

PCT/US05/37265

A. CLASSIFICATION OF SUBJECT MATTER
 IPC: **A61B 17/08**(2006.01)
 A61B 17/04(2006.01)

 USPC: 606/214,219;227/180.1,176.1,178.1.
 According to International Patent Classification (IPC) or to both national classification and IPC

B. FIELDS SEARCHED
 Minimum documentation searched (classification system followed by classification symbols)
 U.S. : 606/214, 219; 227/180.1, 176.1, 178.1.

Documentation searched other than minimum documentation to the extent that such documents are included in the fields searched

Electronic data base consulted during the international search (name of data base and, where practicable, search terms used)
 EAST

C. DOCUMENTS CONSIDERED TO BE RELEVANT

Category *	Citation of document, with indication, where appropriate, of the relevant passages	Relevant to claim No.
Y	US 7,238,195 (Viola) 3 July 2007, Fig. 2A-2C, 3, 5A.	1-21
Y	US 4,392,493 (Niemeijer) 12 July 1983; Fig. 1-10.	1-21

Further documents are listed in the continuation of Box C. See patent family annex.

* Special categories of cited documents:	
"A" document defining the general state of the art which is not considered to be of particular relevance	"T" later document published after the international filing date or priority date and not in conflict with the application but cited to understand the principle or theory underlying the invention
"E" earlier application or patent published on or after the international filing date	"X" document of particular relevance; the claimed invention cannot be considered novel or cannot be considered to involve an inventive step when the document is taken alone
"L" document which may throw doubts on priority claim(s) or which is cited to establish the publication date of another citation or other special reason (as specified)	"Y" document of particular relevance; the claimed invention cannot be considered to involve an inventive step when the document is combined with one or more other such documents, such combination being obvious to a person skilled in the art
"O" document referring to an oral disclosure, use, exhibition or other means	
"P" document published prior to the international filing date but later than the priority date claimed	"&" document member of the same patent family

Date of the actual completion of the international search
 14 April 2008 (14.04.2008)

Date of mailing of the international search report
24 APR 2008

Name and mailing address of the ISA/US
 Mail Stop PCT, Attn: ISA/US
 Commissioner for Patents
 P.O. Box 1450
 Alexandria, Virginia 22313-1450
 Facsimile No. (571) 273-3201

Authorized officer
 Vy Q. Bui *Ann H. Bui*
 Telephone No. 703-308-0858 *Jay*