



US00D737474S

(12) **United States Design Patent**
Geldart

(10) **Patent No.:** **US D737,474 S**

(45) **Date of Patent:** **** Aug. 25, 2015**

(54) **SHIELD PANEL**

(71) Applicant: **Lite Guard Safety Solutions Pty Ltd.,**
Dromana (AU)

(72) Inventor: **Peter Anthony Geldart,** Dromana (AU)

(73) Assignee: **Lite Guard Safety Solutions Pty Ltd.,**
Dromana, Victoria (AU)

(**) Term: **14 Years**

(21) Appl. No.: **29/473,324**

(22) Filed: **Nov. 21, 2013**

(51) **LOC (10) Cl.** **25-01**

(52) **U.S. Cl.**

USPC **D25/138; D25/36; D25/58; D25/48.8**

(58) **Field of Classification Search**

USPC D25/138, 156-199, 36, 35, 58, 119,
D25/48.8, 102, 133, 1, 61, 66, 68;
405/282-287, 272-276; 256/1, 24-31,
256/73

CPC E02D 17/08; E02D 17/083; E02D 17/00;
E02D 17/02; E02D 17/04; E02D 17/06;
E02D 17/086; E02D 17/13; E02D 17/205;
E02D 17/207; E04C 2/00; E04C 2/001;
E04C 2/002; E04C 2/004; E04C 2/005;
E04C 2/08

See application file for complete search history.

(56) **References Cited**

U.S. PATENT DOCUMENTS

841,773 A * 1/1907 Fitzgerald 405/282
1,282,904 A * 10/1918 Meem 405/282

(Continued)

OTHER PUBLICATIONS

“Aluminum Trench Shields” (www.ntsafety.com/product/aluminum-trench-shields/), 2013, 1 page, National Trench Safety LLC website).*

(Continued)

Primary Examiner — Susan Moon Lee

(74) *Attorney, Agent, or Firm* — Woodard, Emhardt,
Moriarty, McNett & Henry LLP

(57) **CLAIM**

The ornamental design for a shield panel, as shown and described.

DESCRIPTION

FIG. 1 is an isometric view of a first embodiment of a shield panel showing my new design;

FIG. 2 is a top view of the first embodiment thereof;

FIG. 3 is a right side view of the first embodiment thereof;

FIG. 4 is a back view of the first embodiment thereof;

FIG. 5 is a left side view of the first embodiment thereof;

FIG. 6 is a front view of the first embodiment thereof;

FIG. 7 is a bottom view of the first embodiment thereof;

FIG. 8 is an isometric exploded view of the first embodiment thereof, shown with an end cap separated from the panel body;

FIG. 9 is an enlarged end view of the first embodiment thereof, shown with the end cap removed;

FIG. 10 is an isometric view of a second embodiment of a shield panel showing my new design;

FIG. 11 is a top view of the second embodiment thereof;

FIG. 12 is a right side view of the second embodiment thereof;

FIG. 13 is a back view of the second embodiment thereof;

FIG. 14 is a left side view of the second embodiment thereof;

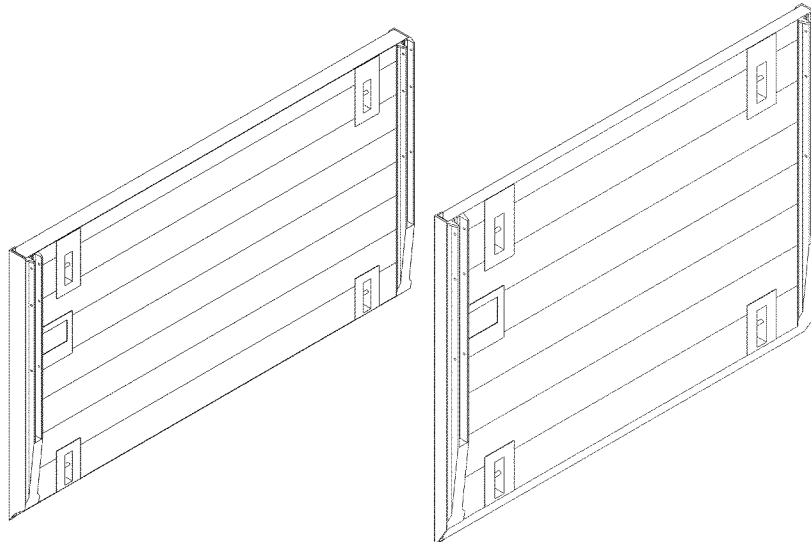
FIG. 15 is a front view of the second embodiment thereof;

FIG. 16 is a bottom view of the second embodiment thereof;

FIG. 17 is an isometric exploded view of the second embodiment thereof, shown with an end cap separated from the panel body; and,

FIG. 18 is an enlarged end view of the second embodiment thereof, shown with the end cap removed.

1 Claim, 10 Drawing Sheets



(56)

References Cited

U.S. PATENT DOCUMENTS

2,260,423 A * 10/1941 Washbourne 405/272
 2,922,283 A * 1/1960 Porter 405/283
 3,047,931 A * 8/1962 Boettner 249/18
 3,186,177 A * 6/1965 Kannenberg 405/282
 3,243,963 A * 4/1966 Schnabel, Jr. 405/272
 3,614,870 A * 10/1971 Boynton 405/273
 3,621,660 A * 11/1971 Krings 405/282
 3,782,126 A * 1/1974 Pavese 405/282
 3,815,369 A * 6/1974 Meredith 405/285
 3,869,867 A * 3/1975 Krings 405/282
 3,969,904 A * 7/1976 Morrice 405/157
 3,971,224 A * 7/1976 Elkuch 405/285
 3,992,887 A * 11/1976 Fisher 405/283
 3,999,393 A * 12/1976 Krings 405/282
 4,004,653 A * 1/1977 Hass 182/128
 4,019,329 A * 4/1977 Griswold 405/283
 4,019,330 A * 4/1977 Griswold 405/283
 4,033,138 A * 7/1977 Griswold 405/283
 4,044,564 A * 8/1977 Griswold 405/283
 4,056,938 A * 11/1977 Griswold 405/283
 4,058,983 A * 11/1977 Griswold 405/283
 4,090,365 A * 5/1978 Nieber 405/282
 RE30,185 E * 1/1980 Griswold 405/283
 4,202,649 A * 5/1980 Cook et al. 405/282
 4,259,028 A * 3/1981 Cook 405/282
 4,279,548 A * 7/1981 Ramey 405/283
 4,345,857 A * 8/1982 Krings 405/282
 4,372,709 A * 2/1983 Krings 405/282
 4,421,440 A * 12/1983 Scheepers 405/282
 4,659,260 A * 4/1987 Morelli 405/283
 4,843,780 A * 7/1989 Krings 52/783.14
 4,993,880 A * 2/1991 Collins 405/283
 5,096,334 A * 3/1992 Plank 405/283
 5,123,785 A * 6/1992 Orfei 405/283
 5,158,399 A * 10/1992 Flores 405/285
 5,180,256 A * 1/1993 Krings 405/282
 5,277,522 A * 1/1994 Pertz 405/283
 5,290,129 A * 3/1994 Rody et al. 405/282
 5,306,103 A * 4/1994 Spencer 405/282
 5,527,137 A * 6/1996 Spencer 405/283
 5,839,707 A * 11/1998 Barringer 248/214
 6,224,296 B1 * 5/2001 Fukumori 405/282
 D463,037 S * 9/2002 Heasley D25/48.8
 6,443,665 B1 * 9/2002 Kundel, Sr. 405/283
 6,474,911 B1 * 11/2002 Krings 405/282
 6,889,824 B2 * 5/2005 Leisner et al. 198/860.5
 7,214,003 B1 * 5/2007 Lux, III 405/104
 7,258,511 B1 * 8/2007 Cerda 405/282
 7,611,308 B1 * 11/2009 Kundel, Sr. 405/282
 7,837,413 B1 * 11/2010 Kundel, Sr. 405/283
 D686,751 S * 7/2013 Chrien D25/36
 D700,368 S * 2/2014 Shen D25/138
 8,926,229 B1 * 1/2015 Clair 405/283
 2004/0005197 A1 * 1/2004 Kadiu 405/274
 2004/0037654 A1 * 2/2004 Peterson et al. 405/284
 2004/0170478 A1 * 9/2004 Kadiu 405/282
 2004/0208702 A1 * 10/2004 Buchanan 405/15
 2007/0175699 A1 * 8/2007 Steblinski 182/82
 2008/0050213 A1 * 2/2008 Kundel 414/572
 2008/0229702 A1 * 9/2008 Davidson 52/745.21
 2009/0110490 A1 * 4/2009 Hess 405/282
 2010/0264390 A1 * 10/2010 Cerda 256/24
 2012/0076594 A1 * 3/2012 Park et al. 405/285

2014/0112726 A1 * 4/2014 Pateuk 405/284
 2014/0219728 A1 * 8/2014 Brown 405/284
 2014/0248093 A1 * 9/2014 Breen 405/284

OTHER PUBLICATIONS

“Trench Shields” (www.ntsafety.com/product/trench-shields/), 2013, 1 page, National Trench Safety LLC website.*
 “Pro-Tec Equipment Mod Series” trench shields (www.pro-tecequipment.com/products/aluminum-trench-shields (2014, div. of Trinity Shoring Products Inc., 2 pages).*
 “Pro-Tec Trench Shield Standards” trench shields (www.pro-tecequipment.com/products/aluminum-trench-shields) (2014, div. of Trinity Shoring Products Inc., 5 pages).*
 Trenchmate Trench Shield Panels (www.trenchmate.co.nz/products-for-sale/trenchmate-shield/trench-shield-stats/trench-shield-stats-2) 2015, 1 page. Trenchmate Certified Shoring Solutions.*
 GME Trench Shield Sidewalls 3” (www.gme-shields.com/wp-content/uploads/2013/01/3M.pdf) (www.gme-shields.com), 2013, 1 page.*
 GME Trench Shield Sidewalls 4”, 2013, 1 page.*
 GME Trench Shield Sidewalls 6”, 2013, 1 page.*
 Norris Sales Company Inc. website “Pro-Tec Equipment Aluminum Trench Shield” (1 page)(www.norrissales.com/products/trench-shields-and-shoring-trench-shields-and-shoring/aluminum-trench-shield), 2014.*
 “Steel Double Wall Shield Pro 6 Series” (www.norrissales.com), 2014, 1 page.*
 Direct Equipment West Trench Shoring Single and Double Wall Trench Shields (www.dewest.ca/aluminum-shoring-shielding/) 2015, 1 page.*
 “Primax Trench Shield w/Sliding Spreaders” (www.primaxshoring.com/products_page1.html), 2011, 1 page.*
 “Primax Shoring System” (www.primaxshoring.com/products_page1.html) 2011, 3 pages.*
 SoftMirage website portfolio “BakerCorp Products” Shoring Shield depicted. (www.softmirage.com/bakercorp-products/) (2015, 1 page).*
 Efficiency Production “Build-a-Box” Shield System brochure (www.efficiencyproduction.com/alum-a-shield (“Resources”>Tabulated Data Build-a-Box brochure) Jan. 2010 Corrugated Trench Shields, 7 pages.*
 Efficiency “Build a Box Modular Aluminum Trench Shielding System”www.efficiencyproduction.com/build-a-box > Resources 2013,4pages.*
 Kundel Shields “ShoreLite ‘Lite’” alum. shielding system (www.kundel-shields.com/index.php/products/4/141), Apr. 2007, 2pages.*
 Titan Series 5 Plus Trench Boxes (www.kundel-shields.com/index.php/products/6/110), Sep. 2005, 1 page.*
 “Shorlite” (www.kundel-shields.com/index.php/brand_landing/4/safeguard_series/), Apr. 2007,1 page.*
 Kundel “Titan Basic Series Trench Boxes” (www.kundel-shields.com/index.php/brand_landing/6/titan_basic_series_trench_boxes) 2005, 1 page.*
 “Titan Slide Box” (www.kundel-shields.com/index.php/products/6/138), Jun. 2008, 1 page.*
 Bakercorp “Steel Trench Shield” (www.bakercorp.com/en-us/products/trench-shoring/steel-trench-shields/), 2015, 1 page.*
 Unpublished Design U.S. Appl. No. 29/464,771, filed Aug. 2, 2013 titled Shield Panel, inventor Peter Anthony Geldart.

* cited by examiner

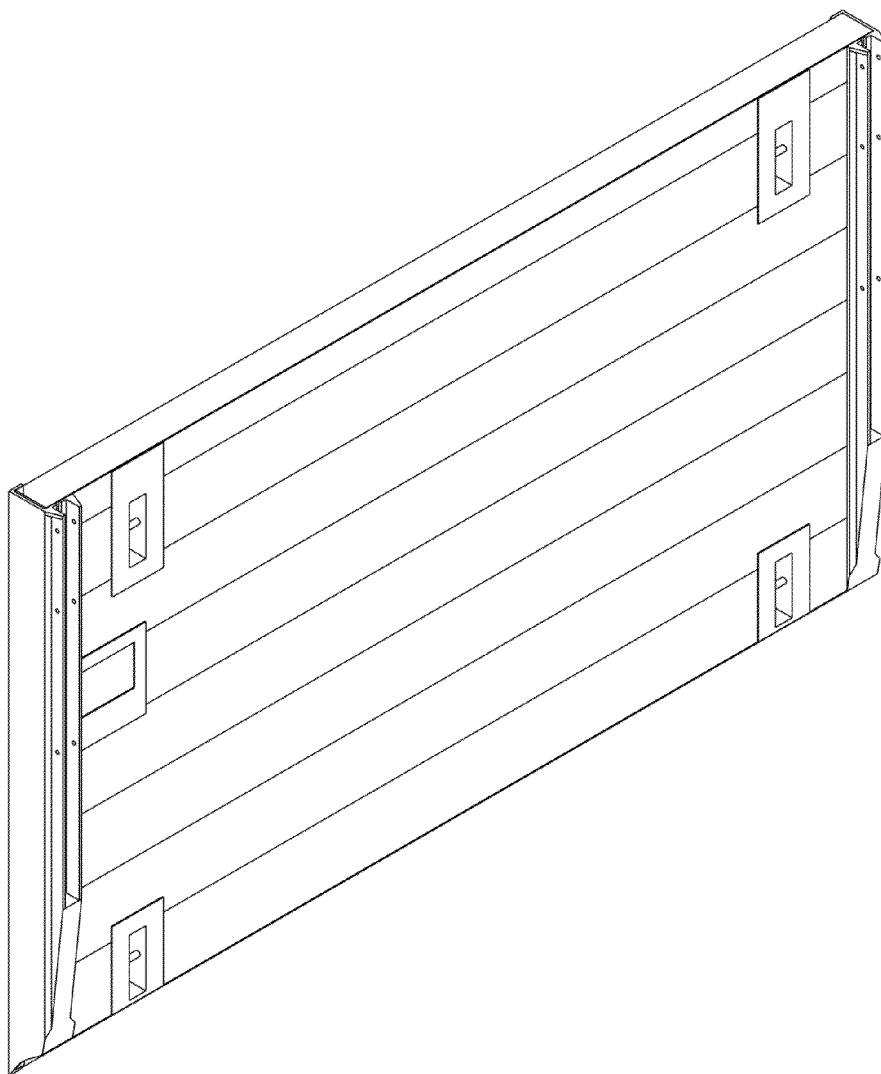


Fig. 1

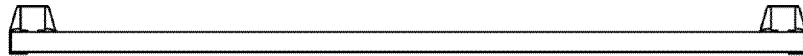


Fig. 2

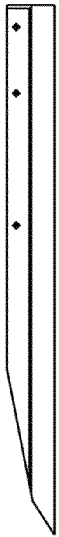


Fig. 3

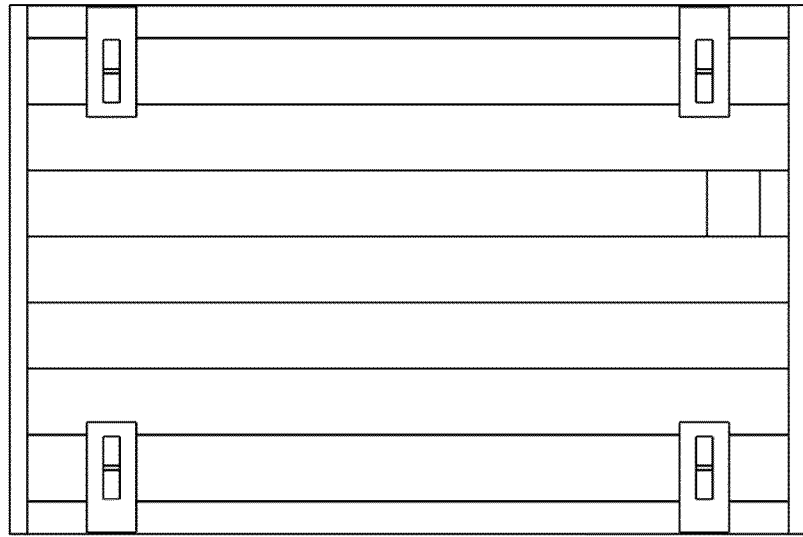


Fig. 4



Fig. 5

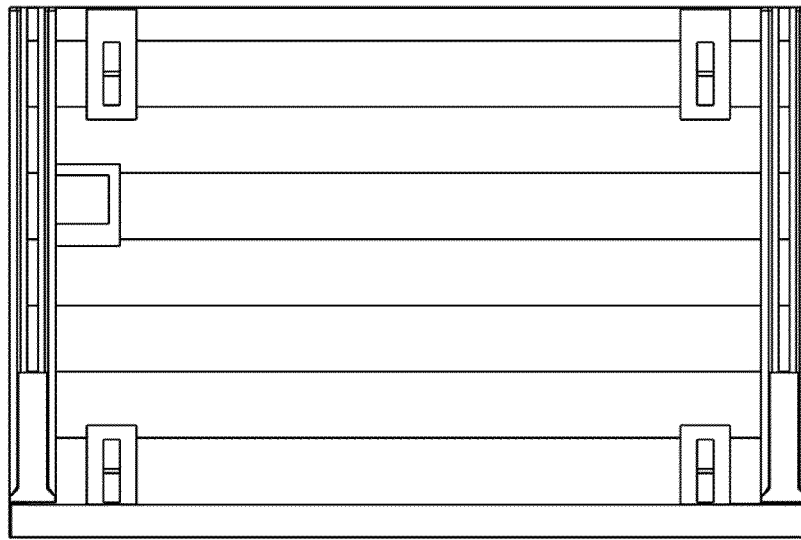


Fig. 6

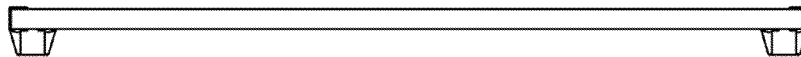


Fig. 7

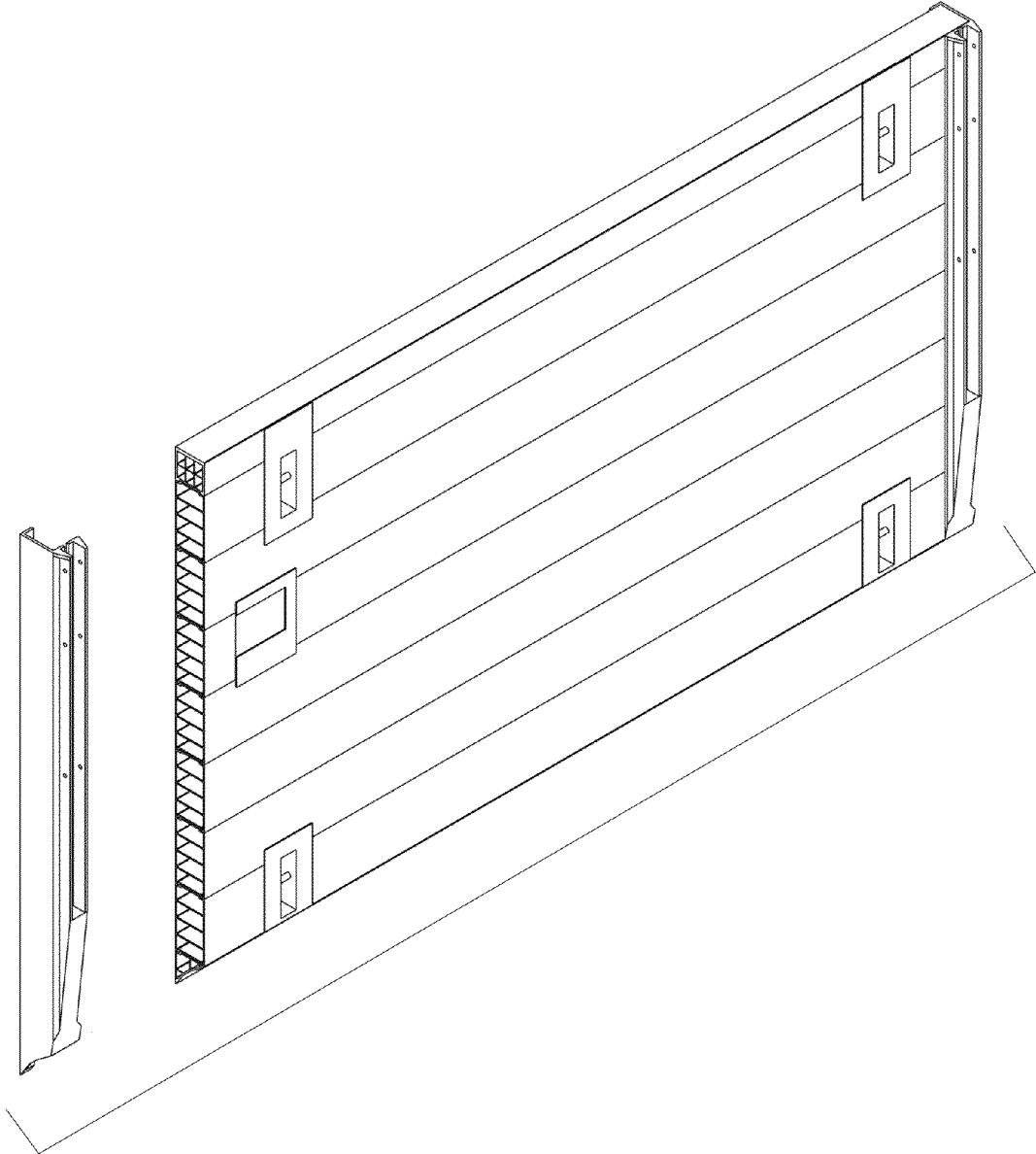


Fig. 8

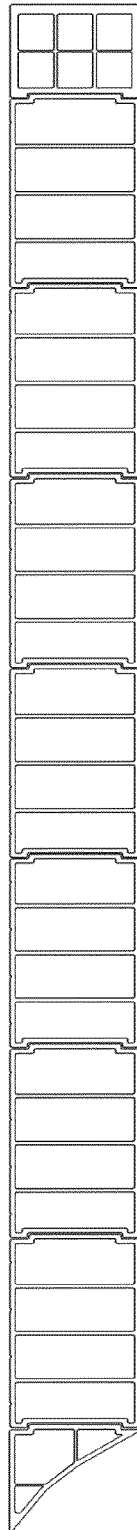


Fig. 9

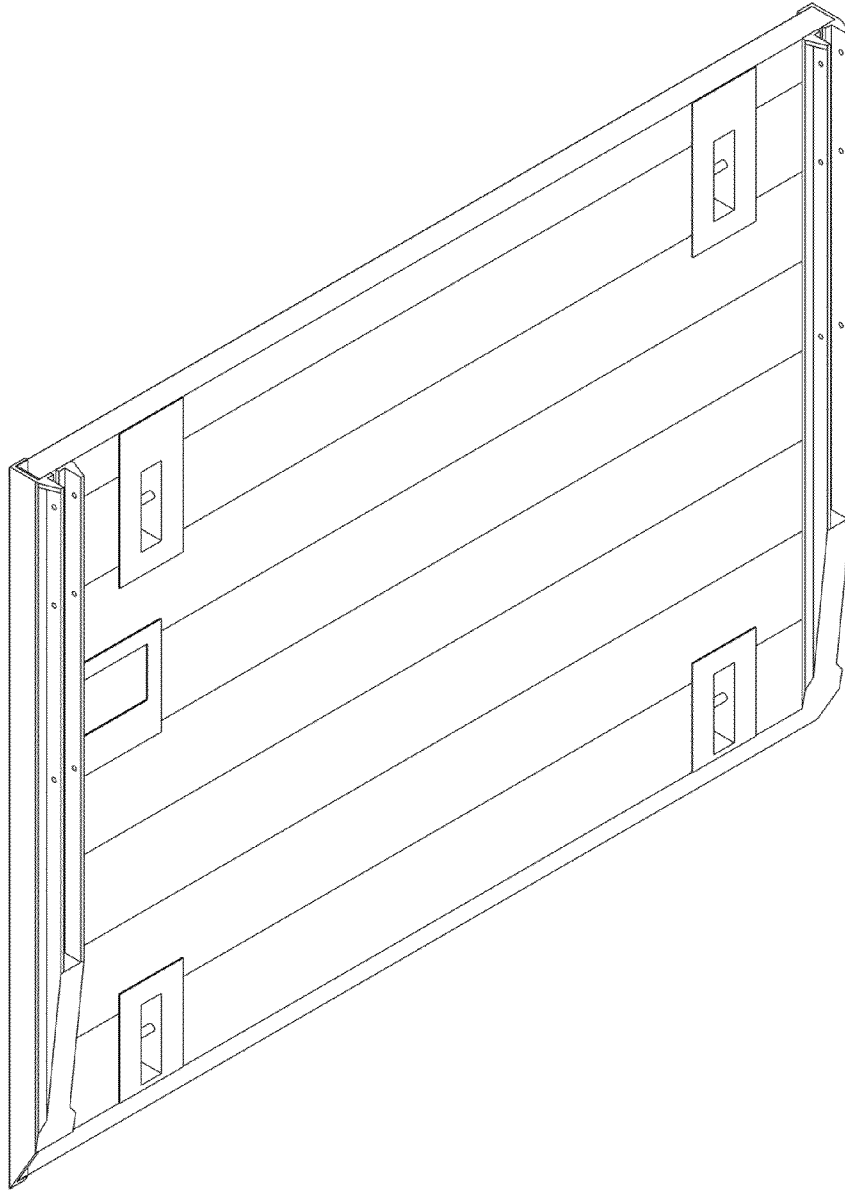


Fig. 10

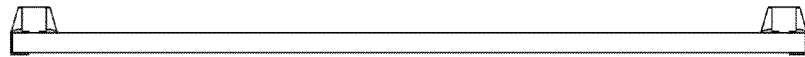


Fig. 11

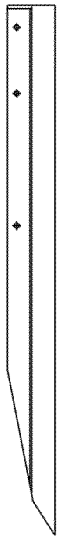


Fig. 12

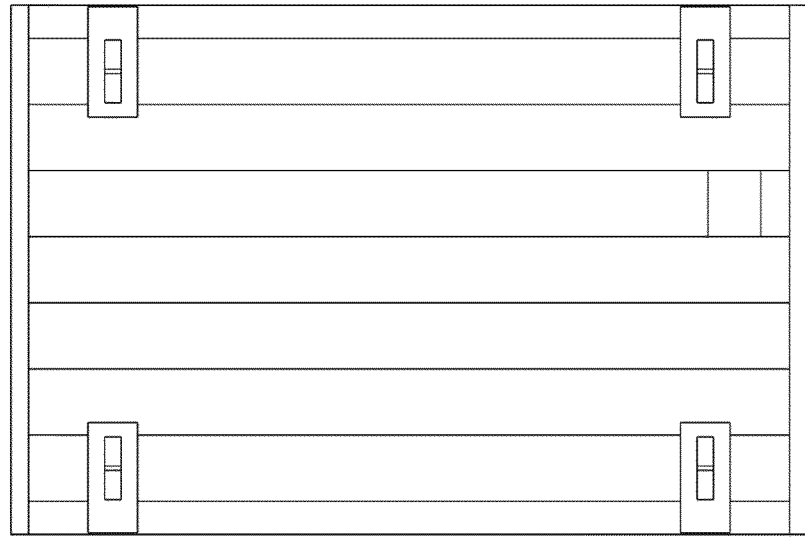


Fig. 13



Fig. 14

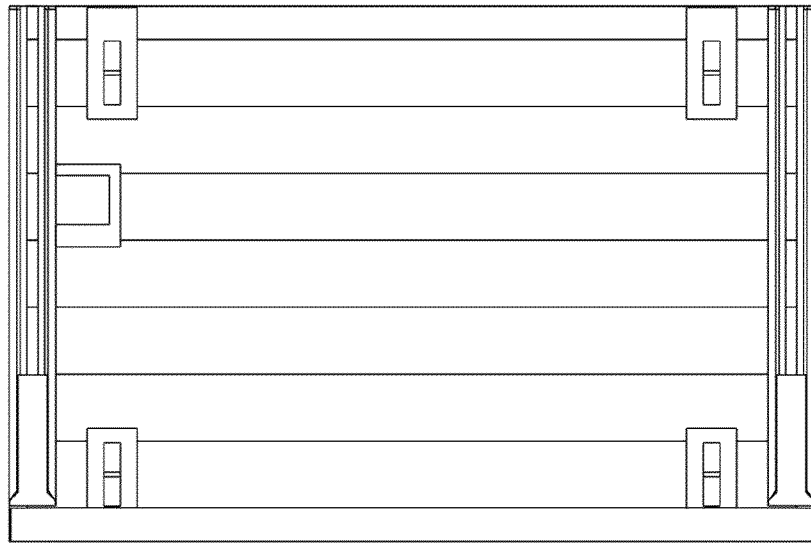


Fig. 15

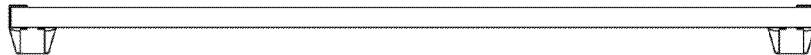


Fig. 16

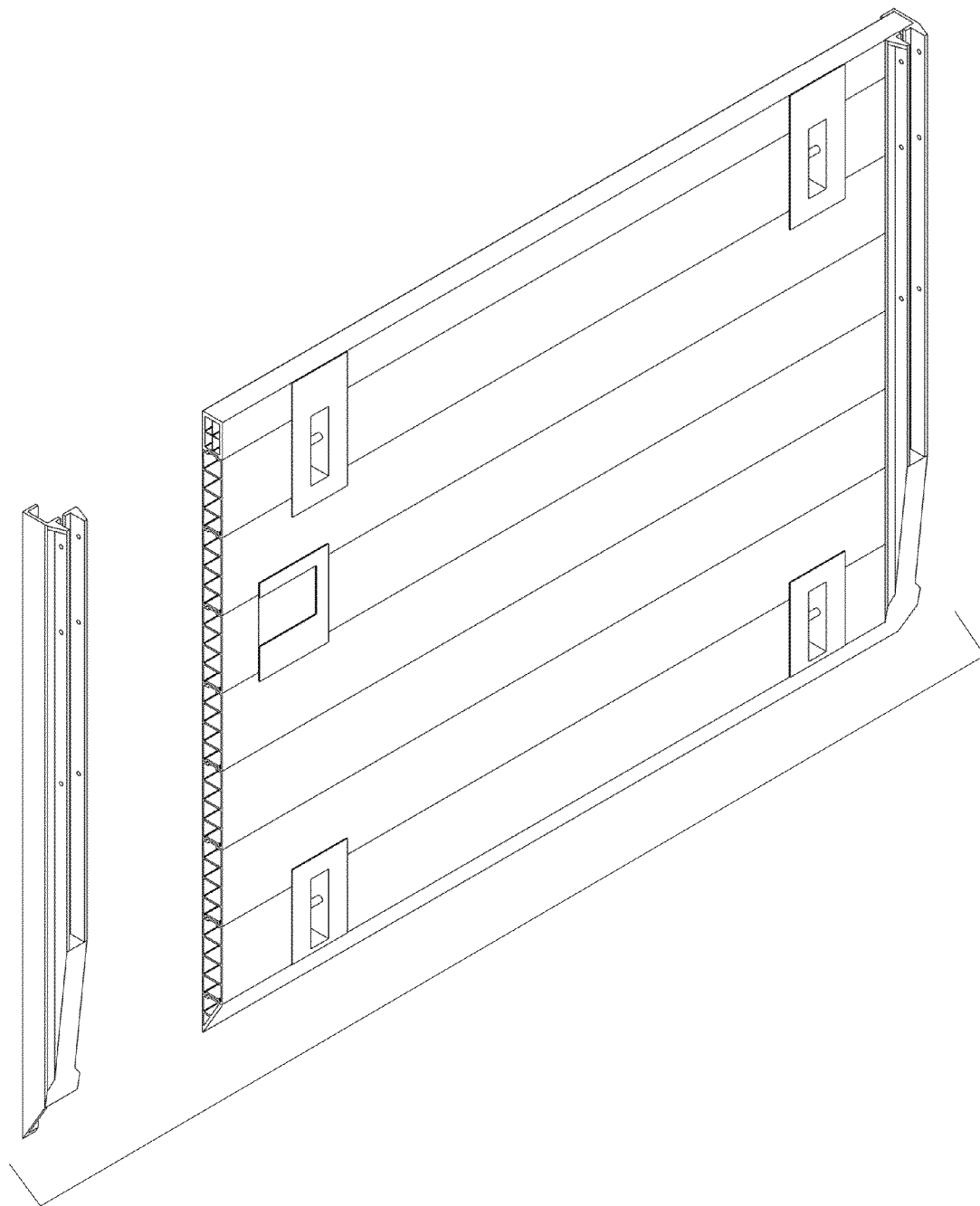


Fig. 17

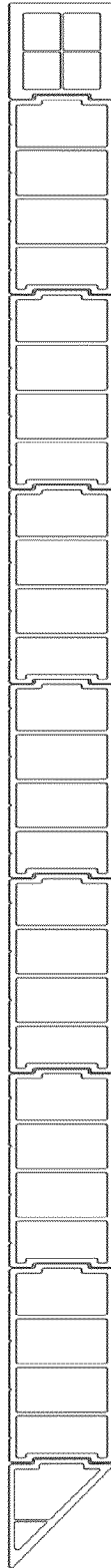


Fig. 18