



US00D991864S

(12) **United States Design Patent**
Miller

(10) **Patent No.:** **US D991,864 S**

(45) **Date of Patent:** **** Jul. 11, 2023**

(54) **FLOTATION DEVICE FOR VESSEL**

(71) Applicant: **Michael Miller**, Russell's Point, OH
(US)

(72) Inventor: **Michael Miller**, Russell's Point, OH
(US)

(**) Term: **15 Years**

(21) Appl. No.: **29/856,256**

(22) Filed: **Oct. 12, 2022**

Related U.S. Application Data

(62) Division of application No. 29/748,768, filed on Sep. 1, 2020, now Pat. No. Des. 976,798.

(51) **LOC (14) Cl.** **12-06**

(52) **U.S. Cl.**
USPC **D12/317**

(58) **Field of Classification Search**
USPC D12/300, 304, 310, 313, 314, 315, 316,
D12/317, 318
CPC B63B 1/121; B63B 1/125; B63B 35/34;
B63B 35/36; B63B 35/38
See application file for complete search history.

(56) **References Cited**

U.S. PATENT DOCUMENTS

5,184,561	A	2/1993	Nickell, Jr.	
5,355,825	A *	10/1994	Lefebvre	B63B 35/34 114/263
5,435,260	A	7/1995	Granie et al.	
5,522,333	A	6/1996	Lang et al.	
5,540,169	A	7/1996	David et al.	
5,575,231	A *	11/1996	Metcalf	B63B 43/10 114/61.27
5,784,977	A	7/1998	Schell et al.	
6,708,642	B1	3/2004	Taylor	
6,755,142	B2	6/2004	Rice	
6,786,165	B2	9/2004	Trepanier	

D520,935	S *	5/2006	Schoell	D12/317
7,240,634	B1	7/2007	Hoge, Jr.	
7,407,341	B2 *	8/2008	Yodock, Jr.	B63G 9/00 405/63
7,870,830	B2	1/2011	Bogard et al.	

(Continued)

OTHER PUBLICATIONS

Harris Boats. (2016). Pontoon boat center tube options: Choosing a Harris pontoon performance package. Retrieve Jun. 19, 2020 from: <https://www.harrisboats.com/tips-tricks-news/center-tube-options-choosing-a-harris-pontoon-performance-package.html>.

(Continued)

Primary Examiner — Cynthia M. Chin

(74) *Attorney, Agent, or Firm* — Carlson, Gaskey & Olds, P.C.

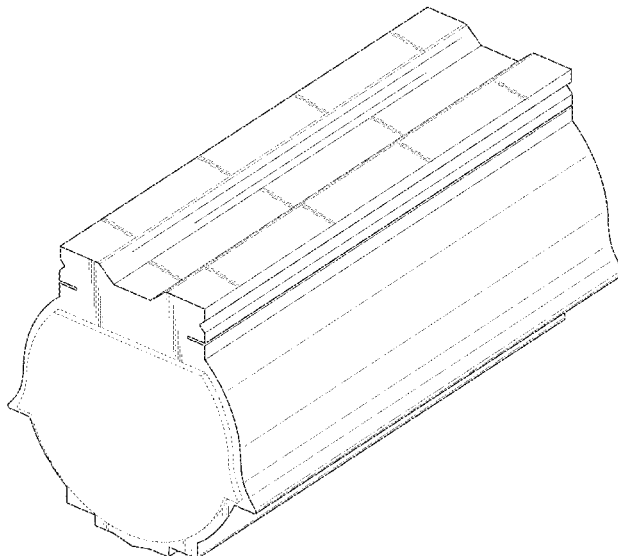
(57) **CLAIM**

The ornamental design for a flotation device for vessel, as shown and described.

DESCRIPTION

FIG. 1 is a perspective view of a flotation device for a vessel; FIG. 2 is a front view of the flotation device for vessel of FIG. 1; FIG. 3 is a back view of the flotation device for vessel of FIG. 1; FIG. 4 is a first side view of the flotation device for vessel of FIG. 1; FIG. 5 is a second side view of the flotation device for vessel of FIG. 1; FIG. 6 is a top view of the flotation device for vessel of FIG. 1; and, FIG. 7 is a bottom view of the flotation device for vessel of FIG. 1. The broken lines shown herein are shown for illustrative purposes and form no part of the claimed design.

1 Claim, 6 Drawing Sheets



(56)

References Cited

U.S. PATENT DOCUMENTS

7,950,340 B1 5/2011 Curtis
 7,987,803 B2 8/2011 Cochran
 8,186,291 B1 5/2012 Curtis
 D721,320 S * 1/2015 Tacon D12/316
 9,376,166 B2 6/2016 Raiter et al.
 9,475,548 B1 10/2016 Slocum
 9,676,450 B1 * 6/2017 Brignolio B63B 1/125
 10,556,643 B2 2/2020 Carlisle
 10,589,823 B1 3/2020 Fenech et al.
 10,717,497 B2 * 7/2020 Yoder B63B 1/14
 10,850,807 B2 * 12/2020 Neibert B63B 3/04
 10,894,586 B2 * 1/2021 Miller B63B 73/40
 10,953,955 B1 * 3/2021 Fieldhouse B63B 1/32
 11,524,752 B2 * 12/2022 Miller B63B 35/613
 2009/0031939 A1 2/2009 Fishbum
 2009/0301376 A1 12/2009 Hoover et al.
 2015/0210357 A1 7/2015 Raiter et al.
 2015/0307163 A1 * 10/2015 Tacon B63B 73/40
 114/77 R
 2018/0312230 A1 11/2018 Zolotuhin
 2019/0023352 A1 * 1/2019 Rath, Jr. B63B 35/58

2019/0337597 A1 * 11/2019 Miller B63B 35/38
 2020/0115011 A1 4/2020 Sporing
 2023/0045565 A1 * 2/2023 Fenech B63B 1/125

OTHER PUBLICATIONS

Manitou. Sport handling package (SHP): Manitou pontoon boats. Retrieved Jun. 19, 2020 from: <https://www.manitoupontoonboats.com/performance/shp/>.
 Serio, T. (2017). The hull story. Boating World Magazine. Retrieved Jun. 19, 2020 from <https://www.boatingworld.com/feature-stories/the-hull-story/>.
 Roberts, B. Toon'ed into your future. Power Boating Canada. Retrieved Jun. 19, 2020 from: <https://powerboating.com/tooned-into-your-future/>.
 Product Brochure. 24-inch diameter modular plastic pontoons. Wilson Pontoons, Inc.
 Wilson Pontoons, Inc. 24-inch diameter modular plastic pontoons. Retrieved Jun. 19, 2020 from: <https://plasticpontoon.com/24-inch-diameter-pontoons/>.
 Wilson Pontoons, Inc. Our Products. Retrieved Jun. 19, 2020 from: <https://plasticpontoon.com/products/>.

* cited by examiner

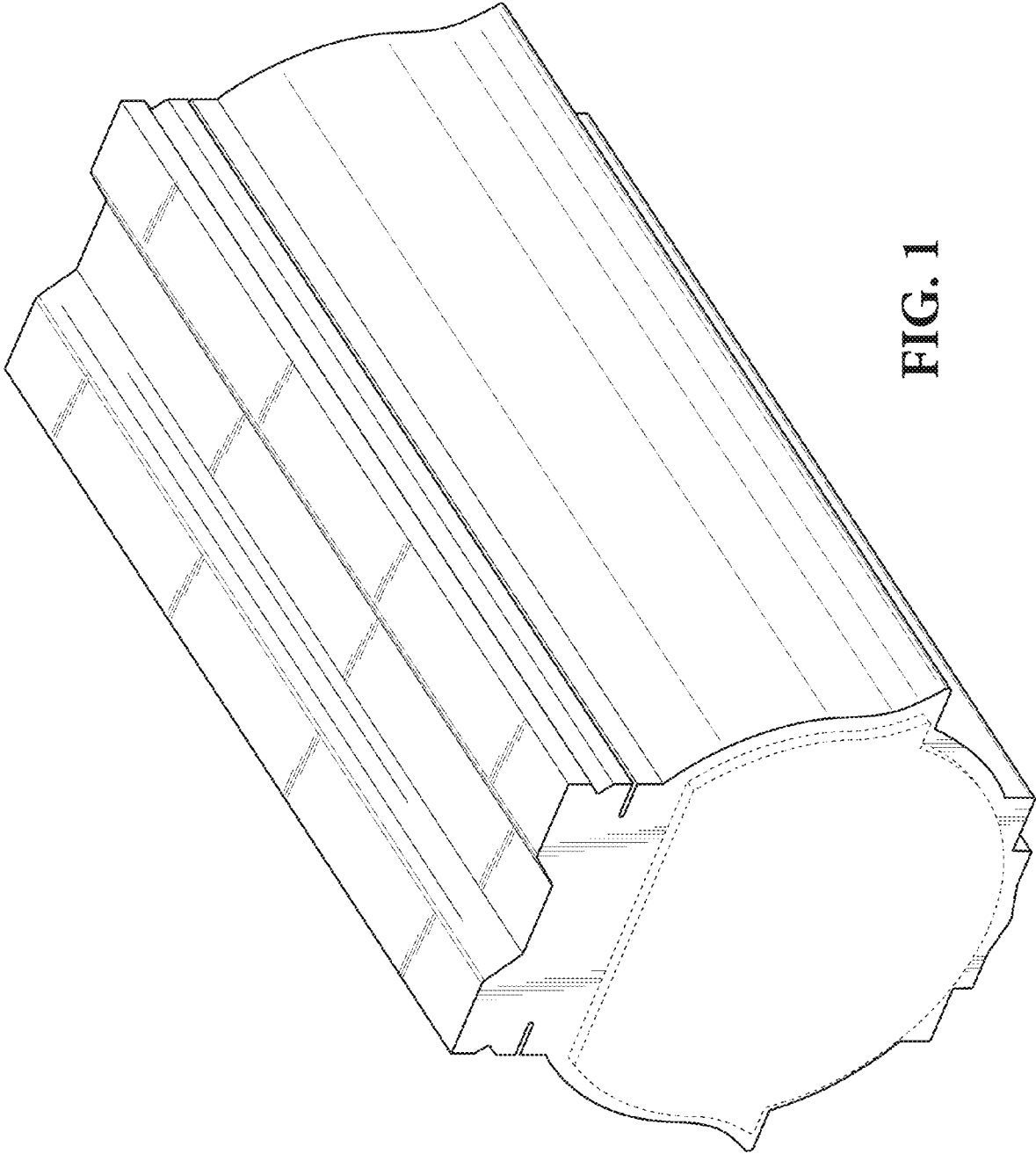


FIG. 1

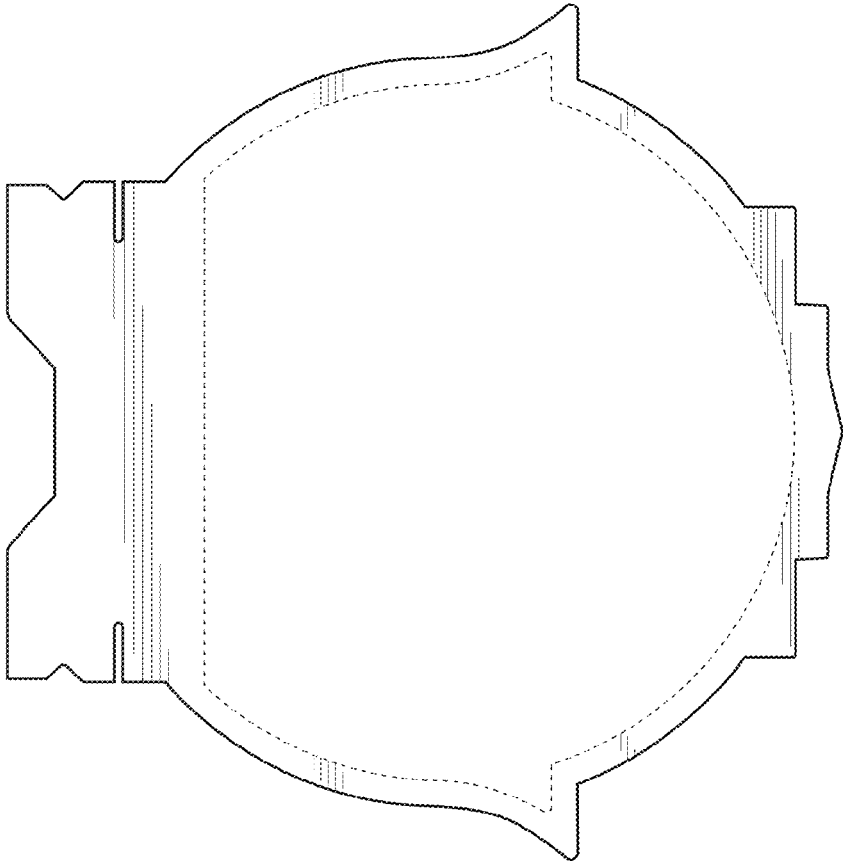


FIG. 2

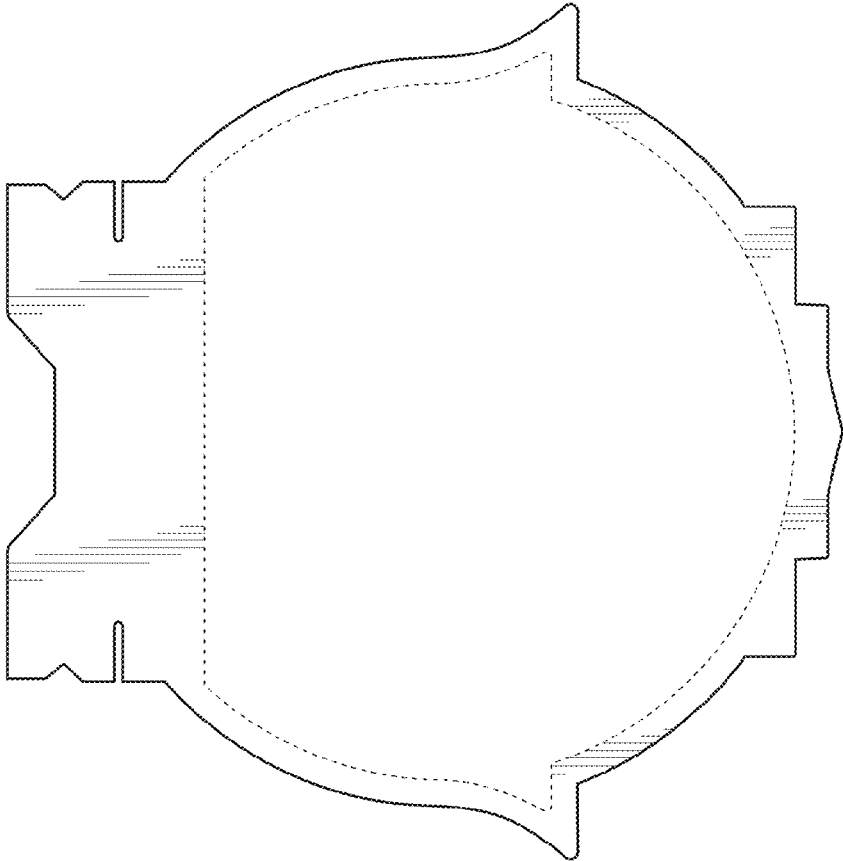


FIG. 3

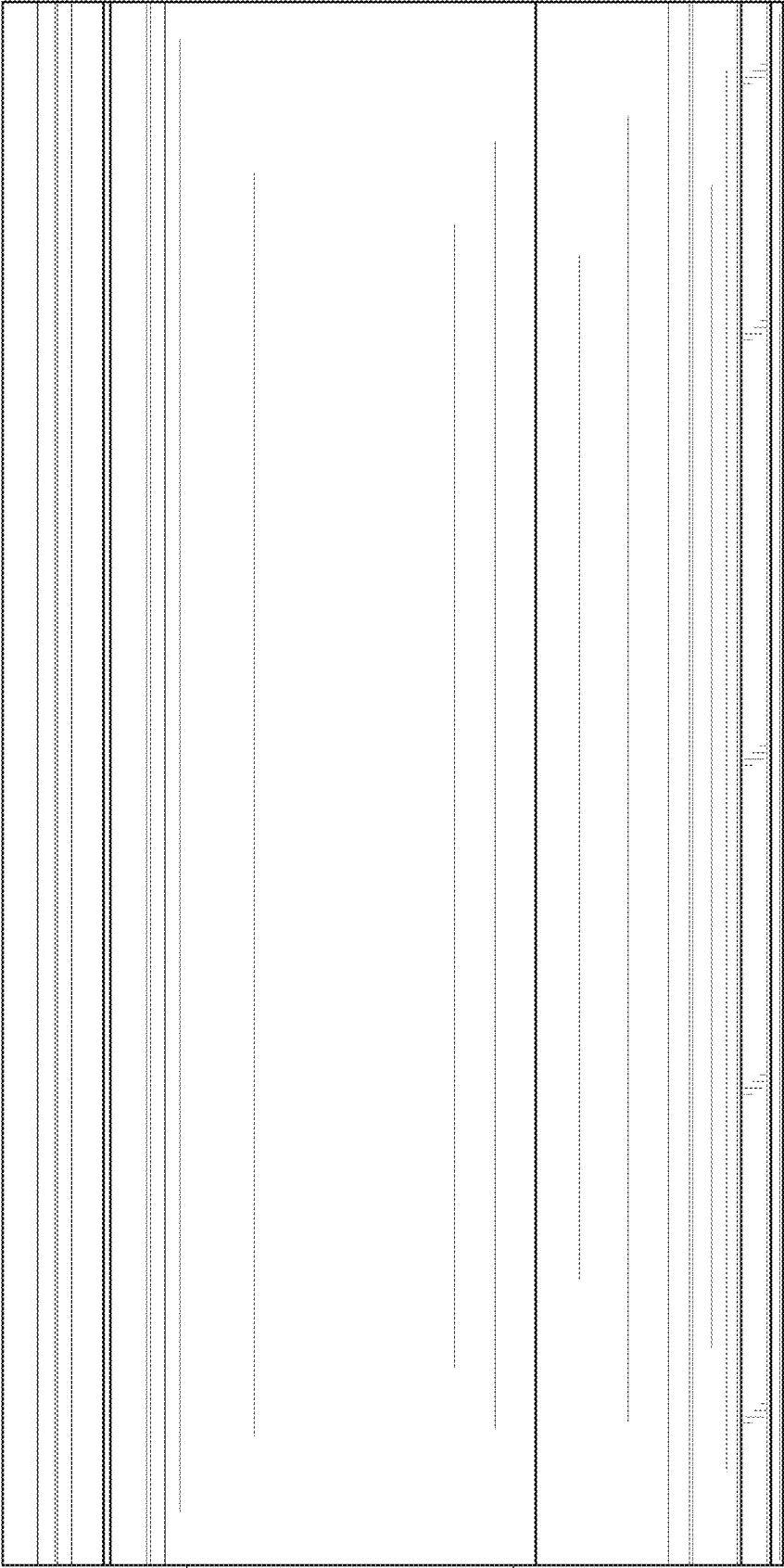


FIG. 4

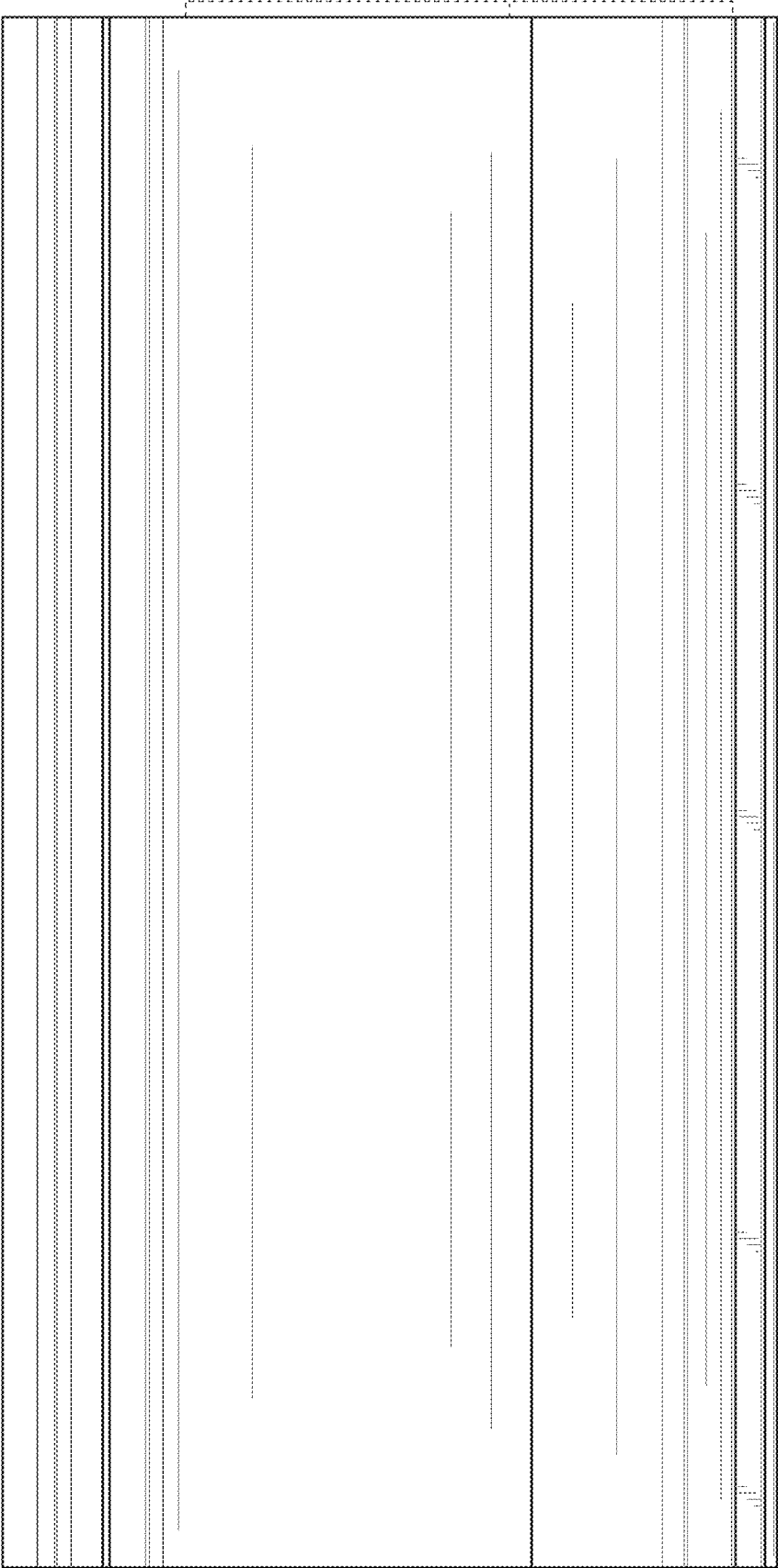


FIG. 5

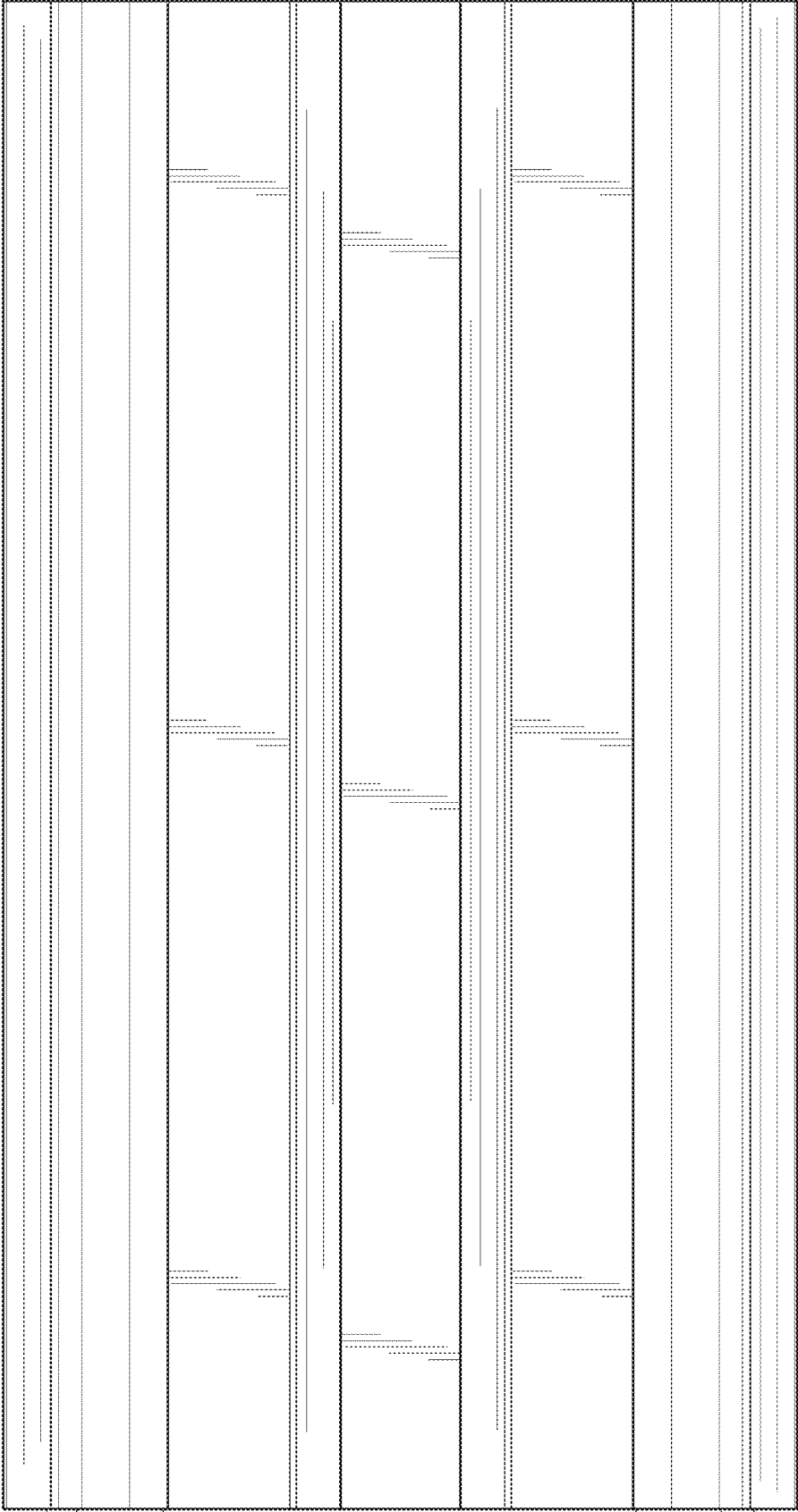


FIG. 6

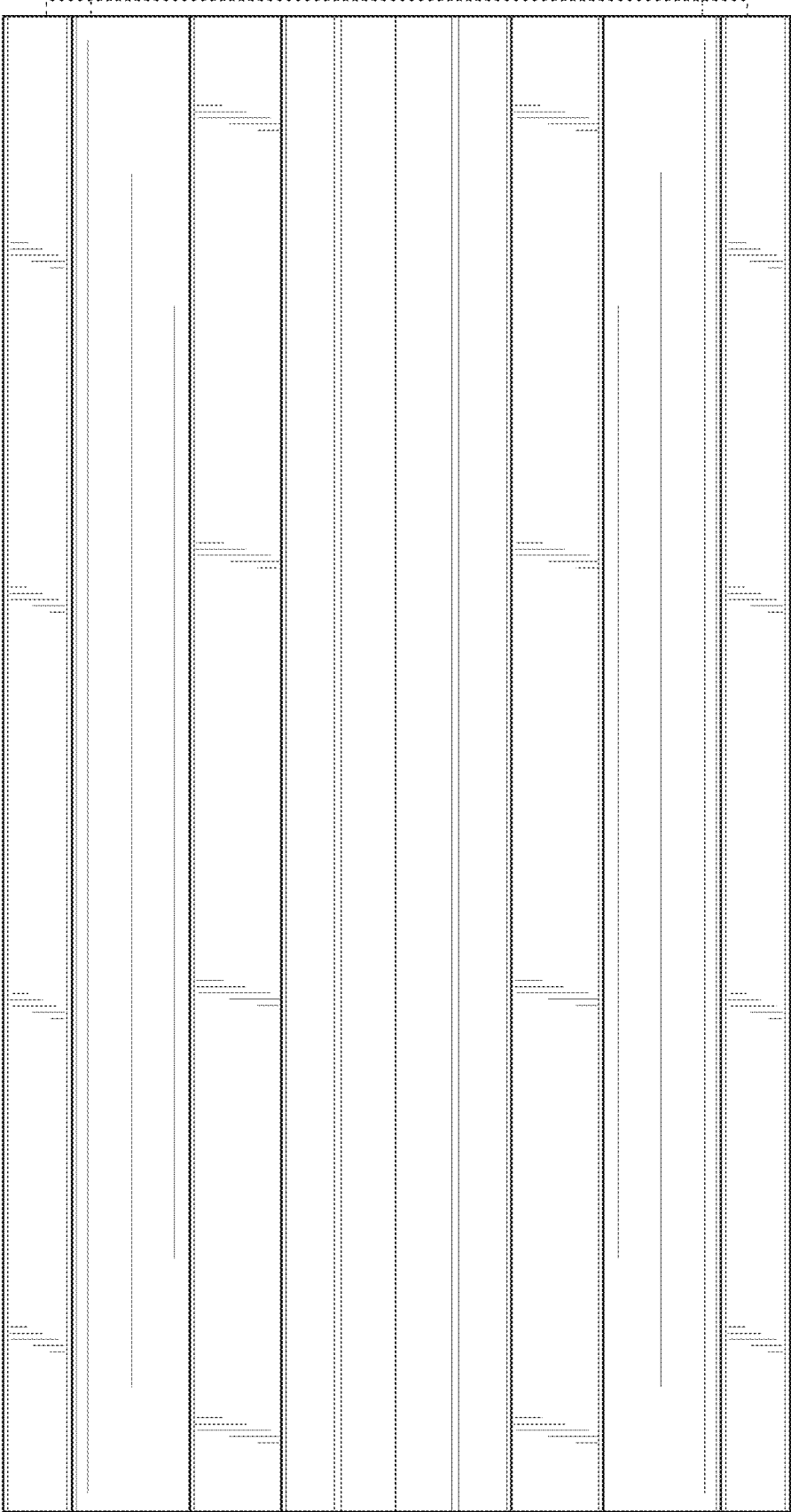


FIG. 7