

(19) World Intellectual Property Organization  
International Bureau



(43) International Publication Date  
4 March 2004 (04.03.2004)

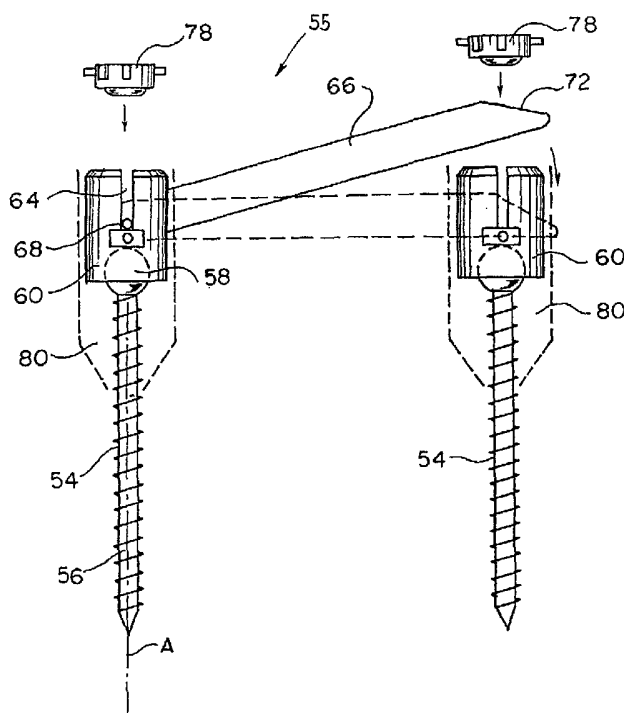
PCT

(10) International Publication Number  
WO 2004/017847 A3

- (51) International Patent Classification<sup>7</sup>: A61B 17/70, 17/88
- (74) Agent: FARRELL, Paul; Dilworth & Barrese, LLP, 333 Earle Ovington Boulevard, Uniondale, NY 11553 (US).
- (21) International Application Number: PCT/US2003/026435
- (81) Designated States (national): AE, AG, AL, AM, AT, AU, AZ, BA, BB, BG, BR, BY, BZ, CA, CH, CN, CO, CR, CU, CZ, DE, DK, DM, DZ, EC, EE, ES, FI, GB, GD, GE, GH, GM, HR, HU, ID, IL, IN, IS, JP, KE, KG, KP, KR, KZ, LC, LK, LR, LS, LT, LU, LV, MA, MD, MG, MK, MN, MW, MX, MZ, NI, NO, NZ, OM, PG, PH, PL, PT, RO, RU, SC, SD, SE, SG, SK, SL, SY, TJ, TM, TN, TR, TT, TZ, UA, UG, US, UZ, VC, VN, YU, ZA, ZM, ZW.
- (22) International Filing Date: 21 August 2003 (21.08.2003)
- (25) Filing Language: English
- (26) Publication Language: English
- (30) Priority Data: 60/405,261 21 August 2002 (21.08.2002) US  
10/320,989 17 December 2002 (17.12.2002) US
- (84) Designated States (regional): ARIPO patent (GH, GM, KE, LS, MW, MZ, SD, SL, SZ, TZ, UG, ZM, ZW), Eurasian patent (AM, AZ, BY, KG, KZ, MD, RU, TJ, TM), European patent (AT, BE, BG, CH, CY, CZ, DE, DK, EE, ES, FI, FR, GB, GR, HU, IE, IT, LU, MC, NL, PT, RO, SE, SI, SK, TR), OAPI patent (BF, BJ, CF, CG, CI, CM, GA, GN, GQ, GW, ML, MR, NE, SN, TD, TG).
- (71) Applicants and
- (72) Inventors: BOEHM, Frank, H., Jr. [US/US]; 2408 Genesee Street, Utica, NY 13501 (US). MELNICK, Benedetta, D. [US/US]; 1406 Schuyler Street, Rome, NY 13440 (US).

[Continued on next page]

(54) Title: DEVICE AND METHOD FOR PERCUTANEOUS PLACEMENT OF LUMBAR PEDICLE SCREWS AND CONNECTING RODS



(57) Abstract: A minimally invasive method for stabilizing adjacent vertebrae to be fused is accomplished with a device configured to interlink the pedicles of the adjacent vertebrae and including multiple pedicle screws (54). Each of the pedicle screws (54) has a screw head (60) configured to receive a connecting rod (66) in a position, in which the rod (66) and the receiving pedicle screw (54) are vertically aligned.

WO 2004/017847 A3



**Published:**

- *with international search report*
- *before the expiration of the time limit for amending the claims and to be republished in the event of receipt of amendments*

*For two-letter codes and other abbreviations, refer to the "Guidance Notes on Codes and Abbreviations" appearing at the beginning of each regular issue of the PCT Gazette.*

**(88) Date of publication of the international search report:**

1 July 2004

# INTERNATIONAL SEARCH REPORT

ational Application No

PCT/US 03/26435

**A. CLASSIFICATION OF SUBJECT MATTER**  
 IPC 7 A61B17/70 A61B17/88

According to International Patent Classification (IPC) or to both national classification and IPC

**B. FIELDS SEARCHED**

Minimum documentation searched (classification system followed by classification symbols)  
 IPC 7 A61B

Documentation searched other than minimum documentation to the extent that such documents are included in the fields searched

Electronic data base consulted during the international search (name of data base and, where practical, search terms used)

EPO-Internal

**C. DOCUMENTS CONSIDERED TO BE RELEVANT**

Category °	Citation of document, with indication, where appropriate, of the relevant passages	Relevant to claim No.
X	DE 94 02 695 U (KERNFORSCHUNGSZ KARLSRUHE) 14 April 1994 (1994-04-14) claim 1; figure ----	16, 32
Y	WO 01/28436 A (SDGI HOLDINGS INC ;SHERMAN MICHAEL C (US); FOLEY KEVIN T (US); JUS) 26 April 2001 (2001-04-26) page 8, line 9 - line 20; figures 1,21 ----	16, 32, 33
Y	FR 2 659 546 A (LAPRESLE PHILIPPE ;MISSENARD GILLES (FR); SACRISTE JEAN FRANCOIS ( ) 20 September 1991 (1991-09-20) page 3, line 20 - line 32; figures 1,2 ----	16, 32, 33
A	US 2002/058942 A1 (BIEDERMANN LUTZ ET AL) 16 May 2002 (2002-05-16) figure 1 ----- -/--	16-18

Further documents are listed in the continuation of box C.

Patent family members are listed in annex.

° Special categories of cited documents :

- \*A\* document defining the general state of the art which is not considered to be of particular relevance
- \*E\* earlier document but published on or after the international filing date
- \*L\* document which may throw doubts on priority claim(s) or which is cited to establish the publication date of another citation or other special reason (as specified)
- \*O\* document referring to an oral disclosure, use, exhibition or other means
- \*P\* document published prior to the international filing date but later than the priority date claimed

- \*T\* later document published after the international filing date or priority date and not in conflict with the application but cited to understand the principle or theory underlying the invention
- \*X\* document of particular relevance; the claimed invention cannot be considered novel or cannot be considered to involve an inventive step when the document is taken alone
- \*Y\* document of particular relevance; the claimed invention cannot be considered to involve an inventive step when the document is combined with one or more other such documents, such combination being obvious to a person skilled in the art.
- \* & \* document member of the same patent family

Date of the actual completion of the international search

10 May 2004

Date of mailing of the international search report

19/05/2004

Name and mailing address of the ISA

European Patent Office, P.B. 5818 Patentlaan 2  
 NL - 2280 HV Rijswijk  
 Tel. (+31-70) 340-2040, Tx. 31 651 epo nl,  
 Fax: (+31-70) 340-3016

Authorized officer

Ducreau, F

# INTERNATIONAL SEARCH REPORT

International Application No  
PCT/US 03/26435

C.(Continuation) DOCUMENTS CONSIDERED TO BE RELEVANT		
Category °	Citation of document, with indication, where appropriate, of the relevant passages	Relevant to claim No.
A	US 5 649 947 A (AUERBACH BURT J ET AL) 22 July 1997 (1997-07-22) column 4, line 16 - line 65; figures 4A-4C -----	50

# INTERNATIONAL SEARCH REPORT

International application No.  
PCT/US 03/26435

## Box I Observations where certain claims were found unsearchable (Continuation of item 1 of first sheet)

This International Search Report has not been established in respect of certain claims under Article 17(2)(a) for the following reasons:

1.  Claims Nos.: 1-15  
because they relate to subject matter not required to be searched by this Authority, namely:  
Rule 39.1(iv) PCT - Method for treatment of the human or animal body by surgery
2.  Claims Nos.:  
because they relate to parts of the International Application that do not comply with the prescribed requirements to such an extent that no meaningful International Search can be carried out, specifically:
3.  Claims Nos.:  
because they are dependent claims and are not drafted in accordance with the second and third sentences of Rule 6.4(a).

## Box II Observations where unity of invention is lacking (Continuation of item 2 of first sheet)

This International Searching Authority found multiple inventions in this international application, as follows:

1.  As all required additional search fees were timely paid by the applicant, this International Search Report covers all searchable claims.
2.  As all searchable claims could be searched without effort justifying an additional fee, this Authority did not invite payment of any additional fee.
3.  As only some of the required additional search fees were timely paid by the applicant, this International Search Report covers only those claims for which fees were paid, specifically claims Nos.:
4.  No required additional search fees were timely paid by the applicant. Consequently, this International Search Report is restricted to the invention first mentioned in the claims; it is covered by claims Nos.:

### Remark on Protest

- The additional search fees were accompanied by the applicant's protest.
- No protest accompanied the payment of additional search fees.

## INTERNATIONAL SEARCH REPORT

 International Application No  
 PCT/US 03/26435

Patent document cited in search report		Publication date	Patent family member(s)	Publication date
DE 9402695	U	14-04-1994	DE 9402695 U1	14-04-1994
WO 0128436	A	26-04-2001	US 6530929 B1 AU 8011900 A BR 0014936 A CA 2387733 A1 EP 1221901 A1 JP 2003511190 T WO 0128436 A1 US 2002161368 A1 US 2003060826 A1 US 2003229347 A1 ZA 200203097 A	11-03-2003 30-04-2001 18-06-2002 26-04-2001 17-07-2002 25-03-2003 26-04-2001 31-10-2002 27-03-2003 11-12-2003 18-07-2003
FR 2659546	A	20-09-1991	FR 2659546 A1 AT 99907 T AU 649995 B2 AU 7082391 A CA 2035348 A1 DE 69100953 D1 DE 69100953 T2 DE 441729 T1 DK 441729 T3 EP 0441729 A1 ES 2048574 T3 FI 910564 A HK 101296 A JP 2524903 B2 JP 5146451 A NO 910459 A ,B, US 5176680 A	20-09-1991 15-01-1994 09-06-1994 15-08-1991 09-08-1991 24-02-1994 16-06-1994 15-10-1992 02-05-1994 14-08-1991 16-03-1994 09-08-1991 21-06-1996 14-08-1996 15-06-1993 09-08-1991 05-01-1993
US 2002058942	A1	16-05-2002	DE 10055888 C1 EP 1205153 A2 JP 2002168220 A TW 546128 B	25-04-2002 15-05-2002 14-06-2002 11-08-2003
US 5649947	A	22-07-1997	US 5443475 A WO 9208415 A1	22-08-1995 29-05-1992