



US00D495416S1

(12) **United States Design Patent**
Dimeo et al.

(10) **Patent No.:** **US D495,416 S**

(45) **Date of Patent:** **** Aug. 31, 2004**

(54) **VIAL ACCESS DEVICE**

(75) Inventors: **Andrew J. Dimeo**, Raleigh, NC (US);
George E. Richert, Jr., Raleigh, NC
(US); **Theodore J. Mosler**, Raleigh,
NC (US)

(73) Assignee: **Alaris Medical Systems, Inc.**, San
Diego, CA (US)

(**) Term: **14 Years**

(21) Appl. No.: **29/182,716**

(22) Filed: **May 30, 2003**

(51) **LOC (7) Cl.** **24-02**

(52) **U.S. Cl.** **D24/129; D24/108; D24/130**

(58) **Field of Search** D24/108, 130,
D24/129, 112; 604/905, 414, 411, 240,
403, 191, 533, 413, 415, 82; 422/103; 251/149.6,
149.1; 215/DIG. 3

(56) **References Cited**

U.S. PATENT DOCUMENTS

5,374,264 A * 12/1994 Wadsworth, Jr. 604/414
5,533,993 A * 7/1996 Maier 604/411
5,833,213 A 11/1998 Ryan

D427,308 S 6/2000 Zinger
6,142,446 A * 11/2000 Leinsing 604/905
D445,501 S 7/2001 Niedoşpial, Jr.
6,503,240 B1 1/2003 Niedoşpial, Jr. et al.
6,656,433 B2 * 12/2003 Sasso 422/103
2003/0153895 A1 * 8/2003 Leinsing 604/403

* cited by examiner

Primary Examiner—Ian Simmons

(74) *Attorney, Agent, or Firm*—Fulwider Paton Lee &
Utecht, LLP

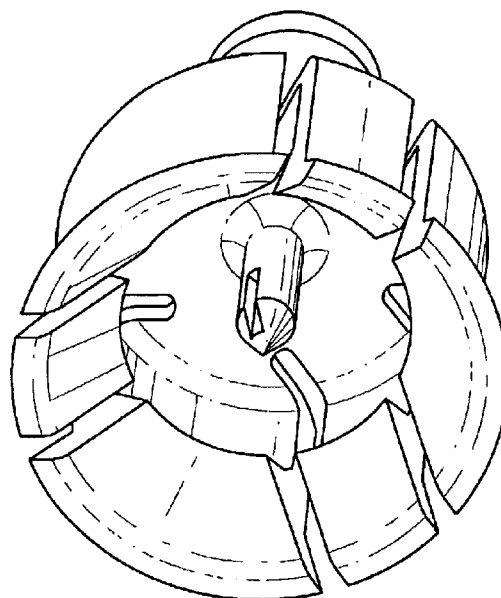
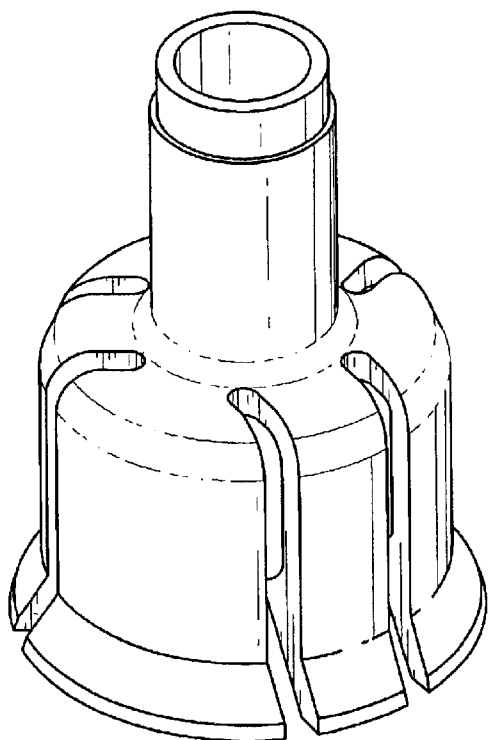
(57) **CLAIM**

The ornamental design for a vial access device, as shown
and described.

DESCRIPTION

FIG. 1 is a perspective view of a vial access device showing
our new design;
FIG. 2 is another perspective view thereof;
FIG. 3 is a top plan view thereof;
FIG. 4 is a bottom plan view thereof;
FIG. 5 is a front elevational view thereof;
FIG. 6 is a back elevational view thereof; and,
FIG. 7 is a side elevational view thereof, the opposite side
elevational view being a mirror image thereof.

1 Claim, 3 Drawing Sheets



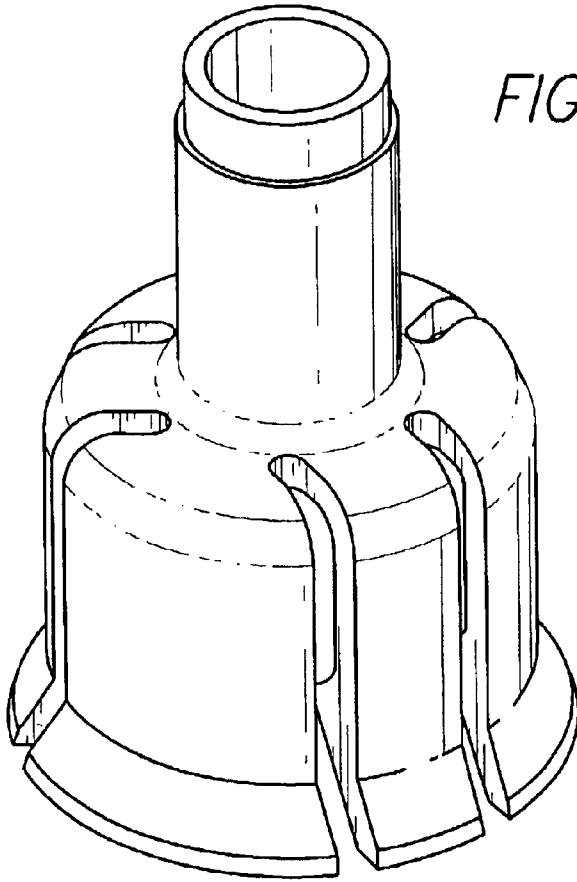


FIG. 1

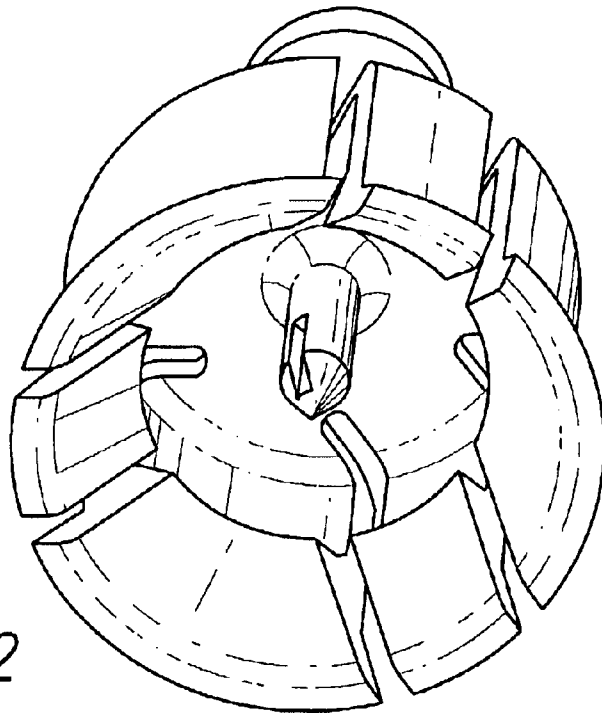


FIG. 2

FIG. 3

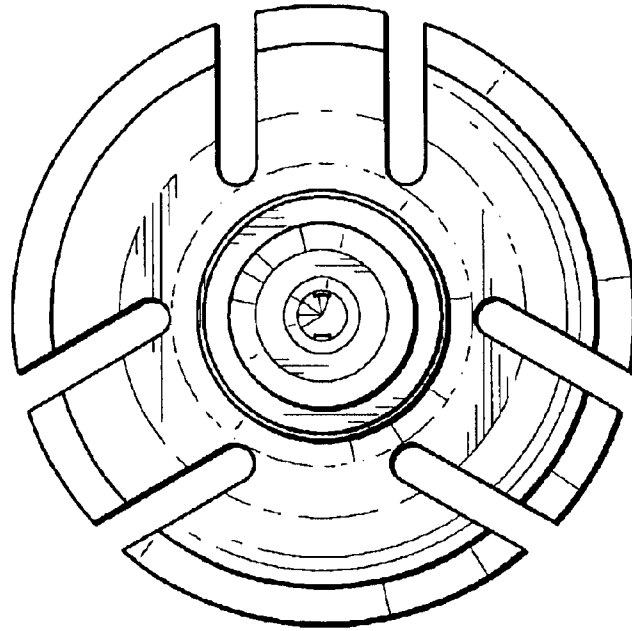


FIG. 4

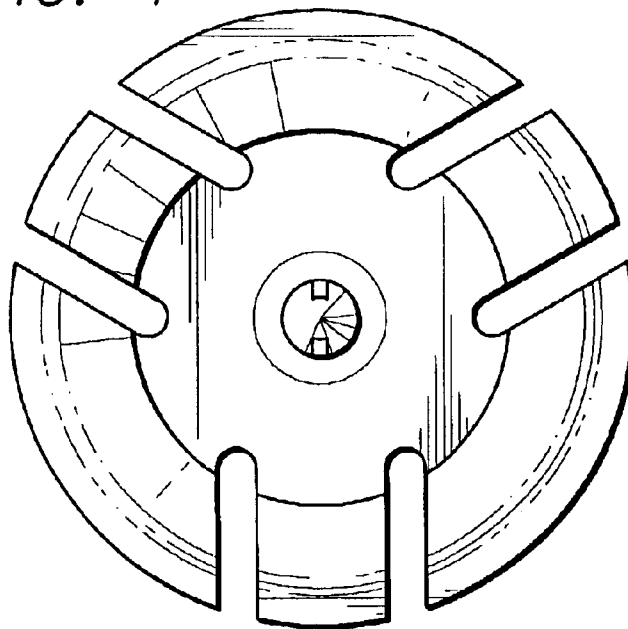


FIG. 7

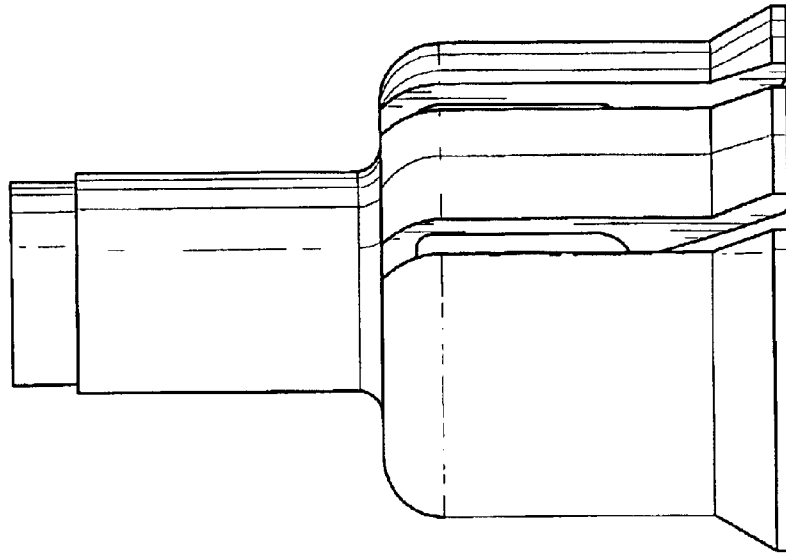


FIG. 6

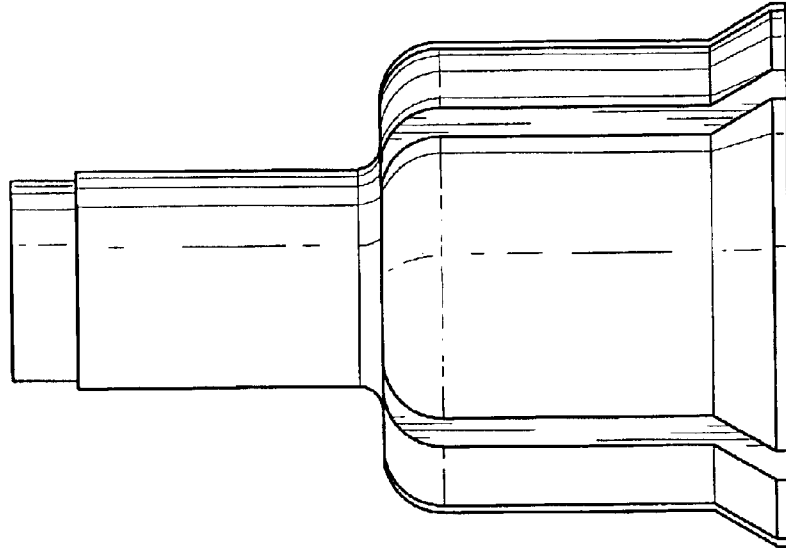


FIG. 5

