



US0D1056827S

(12) **United States Design Patent**
Komulainen et al.

(10) **Patent No.:** **US D1,056,827 S**
(45) **Date of Patent:** **** Jan. 7, 2025**

(54) **CHARGER**
(71) Applicant: **Polar Electro Oy**, Kempele (FI)

D983,134 S * 4/2023 Tang D13/107
D991,892 S * 7/2023 Song D13/171
D1,022,888 S * 4/2024 Tseng D13/107

(72) Inventors: **Olli Komulainen**, Kempele (FI); **Lauri Lumme**, Kempele (FI)

FOREIGN PATENT DOCUMENTS

CN 308303558 * 11/2023
EM 003378694-0014 * 12/2016

(73) Assignee: **Polar Electro Oy**, Kempele (FI)

(**) Term: **15 Years**

OTHER PUBLICATIONS

(21) Appl. No.: **29/946,142**

Polar Charge 2.0 USB-C, date referenced Apr. 21, 2022, data retrieved by Lorna Georges at <https://www.amazon.com/POLAR-Charge-2-0-Charging-Cable/dp/B09XJ8VXJR> (Year: 2022).*
Polar Charge 2.0 USB-C, date referenced Oct. 11, 2023, data retrieved by Lorna Georges at <https://www.tineye.com/search/c47fc46d944182d4799585d198641d8138cb8846?sort=score&order=desc&page=1> (Year: 2023).*

(22) Filed: **Jun. 6, 2024**

Related U.S. Application Data

(62) Division of application No. 29/854,605, filed on Sep. 27, 2022.

(Continued)

(51) **LOC (15) Cl.** **13-02**

Primary Examiner — Rhea Shields

(52) **U.S. Cl.**

Assistant Examiner — Lorna M Georges

USPC **D13/103**

(74) *Attorney, Agent, or Firm* — FisherBroyles, LLP

(58) **Field of Classification Search**

USPC ... D13/107, 103, 108, 118, 119, 199, 139.8,
D13/139.2, 139.1, 137.4, 137.2, 171
CPC H01R 25/003; H01R 11/00; H01R 13/00;
H01R 9/00
See application file for complete search history.

(57) **CLAIM**

The ornamental design for a charger, as shown and described.

(56) **References Cited**

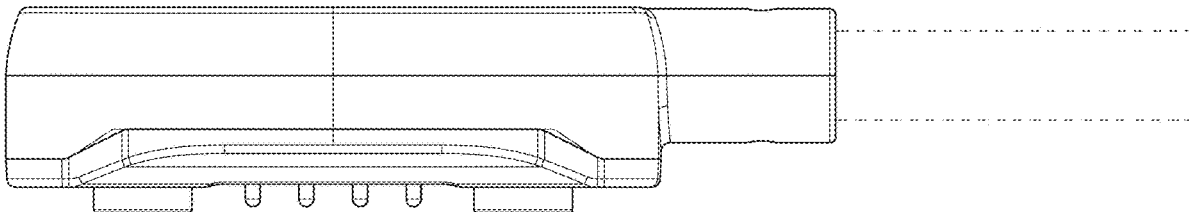
DESCRIPTION

U.S. PATENT DOCUMENTS

D391,550 S * 3/1998 Stekelenburg D13/137.4
6,113,434 A * 9/2000 Pate H01R 25/003
439/954
D467,875 S * 12/2002 Barger D13/139.8
D514,517 S * 2/2006 Loftus D13/139.1
D554,064 S * 10/2007 Ng D13/139.8
D617,267 S * 6/2010 Li D13/107
D807,828 S * 1/2018 Xu D13/137.2
D814,409 S * 4/2018 Yang D13/107
D836,542 S * 12/2018 Xu D13/107
D947,783 S * 4/2022 Wu D13/139.8

FIG. 1 is a first side view of the charger;
FIG. 2 is a second side view of the charger;
FIG. 3 is a first end view of the charger;
FIG. 4 is a second end view of the charger;
FIG. 5 is a top view of the charger;
FIG. 6 is a bottom view of the charger; and,
FIG. 7 is an isometric top view of the charger.
In the drawings, the broken lines depict portions of a charger that form no part of the claimed design.

1 Claim, 4 Drawing Sheets



(56)

References Cited

OTHER PUBLICATIONS

Power Adapter Stand Dock Base, date referenced Oct. 5, 2024, data retrieved by Lorna Georges at <https://www.amazon.com/Adapter-Charging-Bracket-Suitable-Overload-Protection/dp/B0D927KX4F> (Year: 2024).*

* cited by examiner

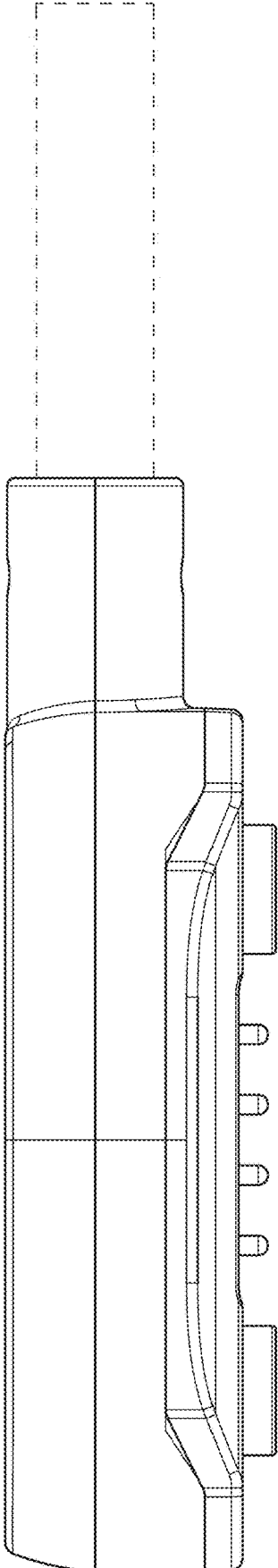


FIG. 1

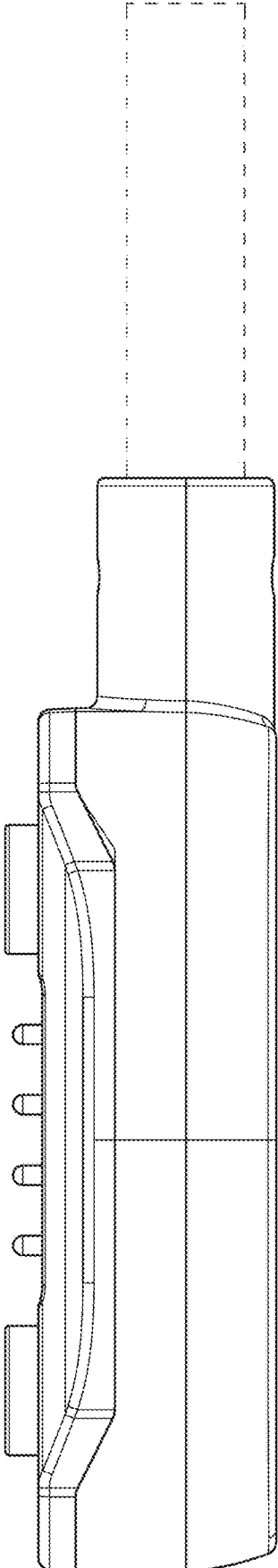


FIG. 2

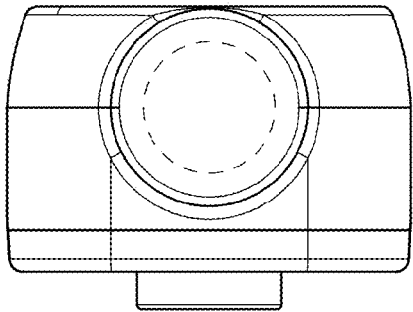


FIG. 3

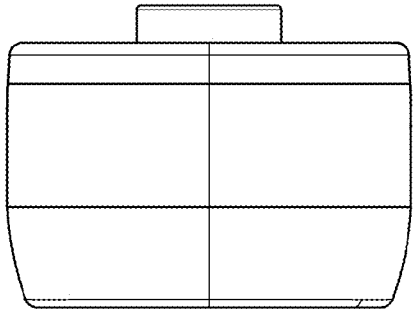


FIG. 4

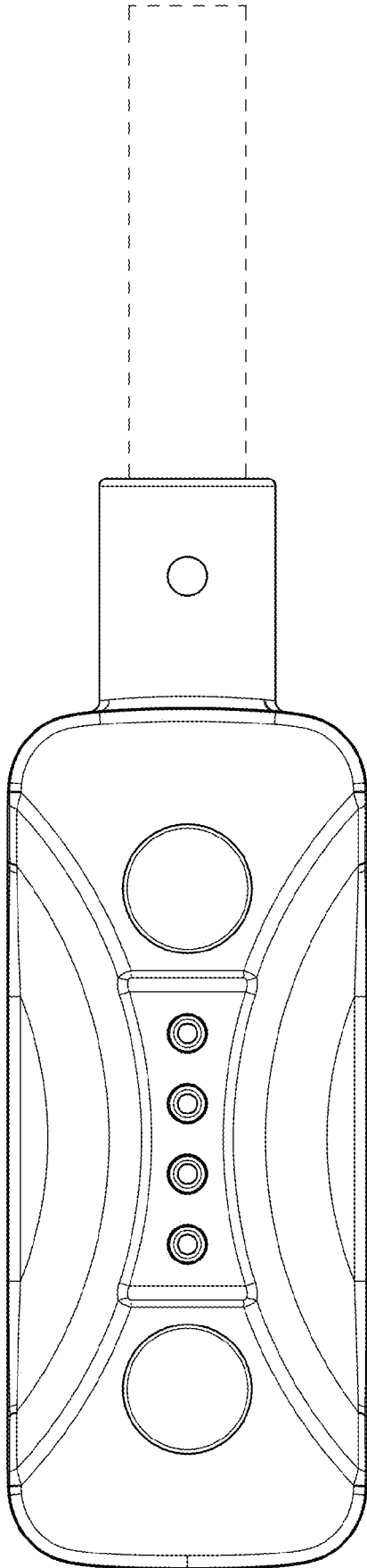


FIG. 5

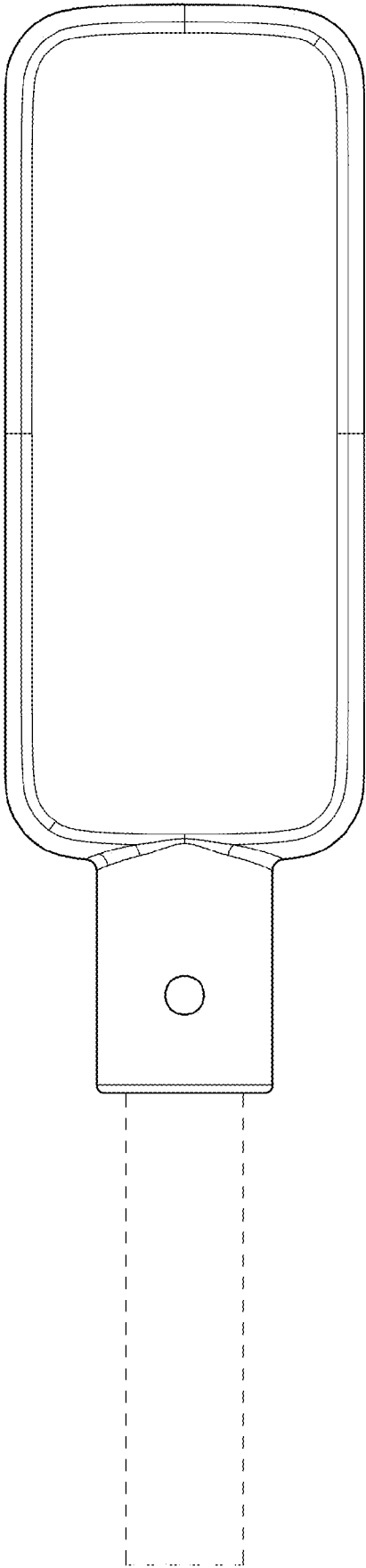


FIG. 6

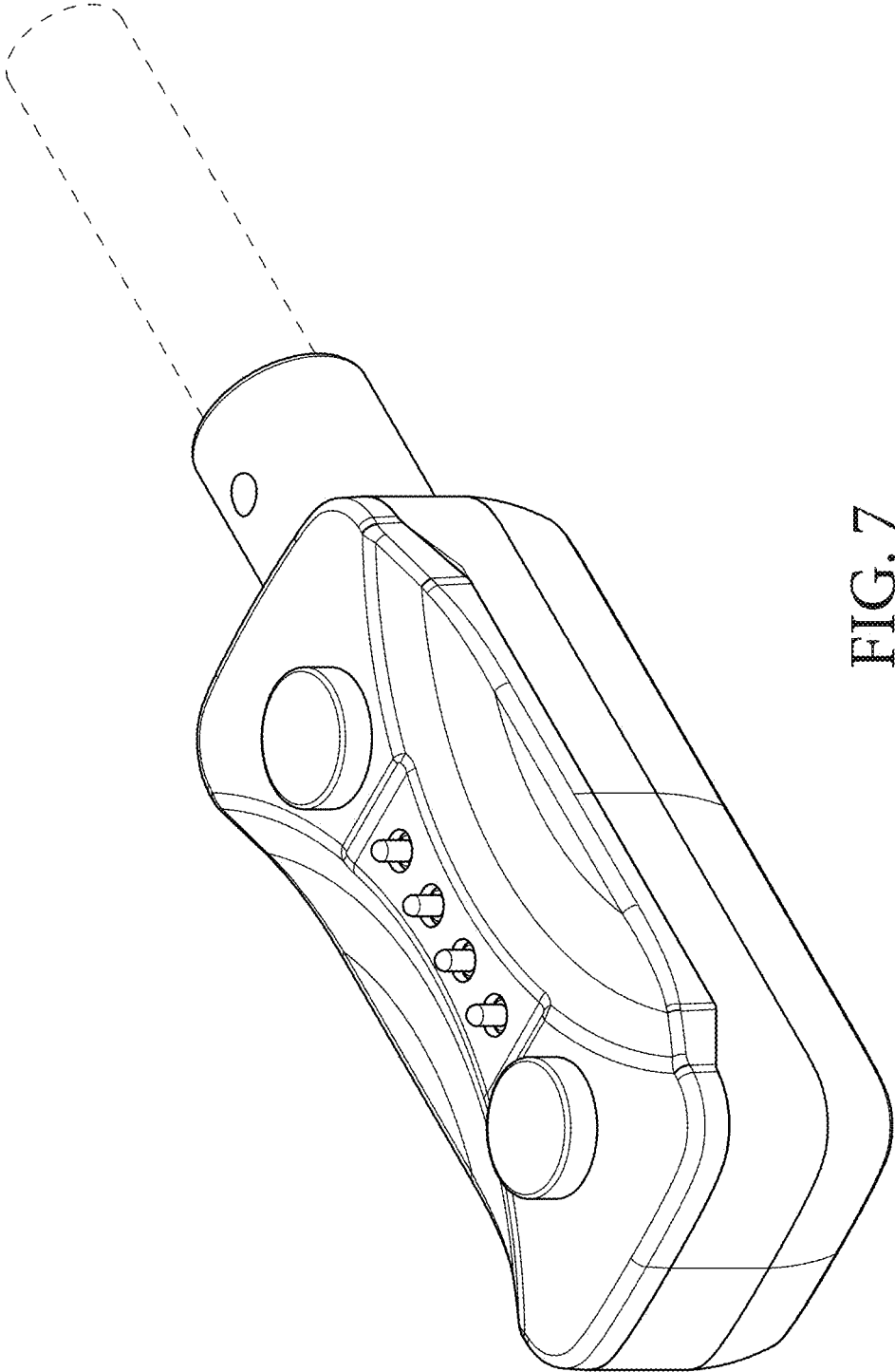


FIG. 7