

(19) World Intellectual Property Organization
International Bureau



(43) International Publication Date
17 December 2009 (17.12.2009)

(10) International Publication Number
WO 2009/152257 A1

- (51) International Patent Classification:
A61F 2/06 (2006.01)
- (21) International Application Number:
PCT/US2009/046929
- (22) International Filing Date:
10 June 2009 (10.06.2009)
- (25) Filing Language: English
- (26) Publication Language: English
- (30) Priority Data:
61/131,584 10 June 2008 (10.06.2008) US
61/189,670 21 August 2008 (21.08.2008) US
- (71) Applicant (for all designated States except US): **CORNELL UNIVERSITY** [US/US]; 418 E. 71st Street, Suite 61, New York, NY 10021 (US).
- (72) Inventors; and
- (75) Inventors/Applicants (for US only): **RIINA, Howard** [US/US]; 125 Birchall Drive, Scarsdale, NY 10583 (US). **MILSOM, Jeffrey** [US/US]; 215 E. 68th Street, Apt. 32D, New York, NY 10021 (US). **CORNHILL, J., Fredrick** [US/US]; 800 Fifth Avenue, Apt. 6G, New York, NY 10065 (US). **ANDREWS, Robert, R.** [US/US]; 5 Old Mill Road, Norfolk, MA 02056 (US). **STROHL, Clair, L.** [US/US]; 3 Winston Road, Norfolk, MA 02056 (US). **DICKINSON, Edward, L.** [US/US]; 3 Stoney Stream Lane, LITTLETON, MA 01460 (US).
- (74) Agent: **PANDISCIO, Mark, J.**; Pandiscio & Pandiscio, 470 Totten Pond Road, Waltham, MA 02451 (US).
- (81) Designated States (unless otherwise indicated, for every kind of national protection available): AE, AG, AL, AM, AO, AT, AU, AZ, BA, BB, BG, BH, BR, BW, BY, BZ, CA, CH, CL, CN, CO, CR, CU, CZ, DE, DK, DM, DO, DZ, EC, EE, EG, ES, FI, GB, GD, GE, GH, GM, GT, HN, HR, HU, ID, IL, IN, IS, JP, KE, KG, KM, KN, KP, KR, KZ, LA, LC, LK, LR, LS, LT, LU, LY, MA, MD, ME, MG, MK, MN, MW, MX, MY, MZ, NA, NG, NI, NO, NZ, OM, PE, PG, PH, PL, PT, RO, RS, RU, SC, SD, SE, SG, SK, SL, SM, ST, SV, SY, TJ, TM, TN, TR, TT, TZ, UA, UG, US, UZ, VC, VN, ZA, ZM, ZW.
- (84) Designated States (unless otherwise indicated, for every kind of regional protection available): ARIPO (BW, GH, GM, KE, LS, MW, MZ, NA, SD, SL, SZ, TZ, UG, ZM, ZW), Eurasian (AM, AZ, BY, KG, KZ, MD, RU, TJ, TM), European (AT, BE, BG, CH, CY, CZ, DE, DK, EE, ES, FI, FR, GB, GR, HR, HU, IE, IS, IT, LT, LU, LV, MC, MK, MT, NL, NO, PL, PT, RO, SE, SI, SK, TR), OAPI (BF, BJ, CF, CG, CI, CM, GA, GN, GQ, GW, ML, MR, NE, SN, TD, TG).
- Published:
— with international search report (Art. 21(3))
— before the expiration of the time limit for amending the claims and to be republished in the event of receipt of amendments (Rule 48.2(h))

(54) Title: METHOD AND APPARATUS FOR REPAIRING VACULAR ABNORMALTIES AND/OR OTHER BODY LUMEN ABNORMALTIES USING AN ENDOLUMINAL APPROACH AND A FLOWABLE FORMING MATERIAL

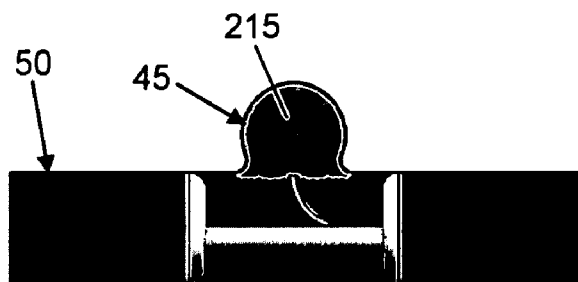


FIG. 25

(57) Abstract: A method for repairing an abnormality in the wall of a body lumen, the method comprising: isolating the abnormality in the wall of the body lumen from flow in the body lumen; positioning flowable forming material adjacent to the abnormality in the wall of the body lumen; and transforming the flowable forming material into a substantially stationary state so as to repair the abnormality in the wall of the body lumen. Apparatus for repairing an abnormality in the wall of a body lumen, the apparatus comprising: a supply of flowable forming material; zone isolation apparatus for isolating the abnormality in the wall of the body lumen from flow in the body lumen; and positioning apparatus for positioning the flowable forming material adjacent to the abnormality in the wall of the body lumen so as to repair the abnormality in the wall of the body lumen.



WO 2009/152257 A1

METHOD AND APPARATUS FOR REPAIRING
VASCULAR ABNORMALITIES AND/OR OTHER BODY
LUMEN ABNORMALITIES USING AN ENDOLUMINAL
APPROACH AND A FLOWABLE FORMING MATERIAL

5

Inventors

Howard Riina

Jeffrey Milsom

J. Fredrick Cornhill

10

Robert R. Andrews

Clair L. Strohl

Edward L. Dickinson

Reference To Pending Prior Patent Applications

15

This patent application claims benefit of:

(i) pending prior U.S. Provisional Patent Application Serial No.

61/189,670, filed 08/21/08 by Howard Riina et al. for METHOD AND

APPARATUS FOR ACCESSING THE SIDE WALL OF A VASCULAR

STRUCTURE OR OTHER BODY LUMEN, ORGAN OR TUBULAR

20

STRUCTURE WHILE SIMULTANEOUSLY PROVIDING ZONE ISOLATION

AND BYPASS CAPABILITY (Attorney's Docket No. CORN-0615 PROV); and

- 2 -

(ii) pending prior U.S. Provisional Patent Application Serial No. 61/131,584, filed 06/10/08 by Howard Riina et al. for INJECTABLE MOLD (Attorney's Docket No. CORN-13 PROV).

5 The two above-identified patent applications are hereby incorporated herein by reference.

Field Of The Invention

10 This invention relates to medical procedures and apparatus in general, and more particularly to medical procedures and apparatus for accessing the wall of a vascular structure or other body lumen.

Background Of The Invention

15 Medical technologies are now expanding so that curative therapies may now be applied directly to the wall of a vascular structure or other body lumen (e.g., tubular structure or organ) within the human body. In most situations it will be necessary to access the inside (or other portion) of the wall of a vascular structure or other body lumen in order to provide therapy to a patient. By way of example but not limitation, it may be necessary to treat an aneurysm formed in the wall of an artery (e.g., a lateral aneurysm such as a saccular aneurysm, a fusiform
20 aneurysm such as a typical abdominal aortic aneurysm), or to treat a lesion formed on the wall of a vascular structure (e.g., an artery or vein) or other tubular

- 3 -

or hollow structure. As used herein, the term “vascular structure” is intended to encompass any tubular or hollow structure of the vasculature (e.g., an artery, a vein, a blood chamber, etc.), and the term “body lumen” is intended to encompass any tubular or hollow structure, including the gastrointestinal or genitourinary tracts, the lymph system, an air passageway, the interior of a hollow organ, a passageway through a body structure, etc. As used herein, the term “wall” of a vascular structure or other body lumen is intended to encompass the inside surface of the wall and/or any other portion of the wall, including aneurysms, lesions, etc. which may be formed in or on the wall.

Additionally, in many situations it may be desirable to isolate a segment of the vascular structure (or other body lumen) from the remainder of the vascular structure (or other body lumen). By way of example but not limitation, a particular therapy applied to the inside of the wall of a vascular structure may create debris which should be localized and prevented from flowing downstream from the site of the therapy.

Furthermore, in many situations it may become necessary to apply therapy to the inside of the wall of a vascular structure (or other body lumen) without interrupting the flow of blood (or other fluids) through the vascular structure (or other body lumen).

Thus, there is a substantial need for a novel method and apparatus for accessing the wall of a vascular structure or other body lumen while

- 4 -

simultaneously providing “zone isolation” and simultaneously providing fluid bypass capability. Ideally, pressure and fluid (presence or absence) should be controllable within the isolation zone, thereby facilitating the use of medical instruments (including cutting instruments, biopsy instruments, closure
5 instruments, endoscopic visualization, etc.), vacuum, electrical energy (e.g., electrosurgery), adhesives and/or other therapies which may be difficult to apply in a zone where blood or any other biologic fluid or substance is present and/or flowing.

10 Summary Of The Invention

The present invention provides a novel method and apparatus for accessing the wall of a vascular structure or other body lumen while simultaneously providing zone isolation and simultaneously providing fluid bypass capability.

15 In one preferred form of the invention, the novel method and apparatus permits pressure and fluid (presence or absence) to be controllable within the isolation zone, thereby facilitating the use of medical instruments (including cutting instruments, biopsy instruments, closure instruments, material delivery systems, endoscopes, etc.), vacuum, electrical energy (e.g., electrosurgery),
20 adhesives and/or other therapies (e.g., agents promoting thrombus, gene

- 5 -

therapeutic agents, etc.) which may be difficult to apply in a zone where blood or another biologic fluid or substance is present and/or flowing.

More particularly, the present invention comprises the provision and use of an access system comprising an erectable proximal isolation barrier (e.g., a
5 balloon, a superelastic shape memory alloy ring, etc.), an erectable distal isolation barrier (e.g., a balloon, a superelastic shape memory alloy ring, etc.), and a bypass channel extending between the proximal isolation barrier and the distal isolation barrier, such that when the access system is erected in a body lumen, the access system can isolate a segment of the body lumen from the remainder of the body
10 lumen, while still permitting a fluid to flow independently through the isolated segment of the body lumen. Additionally, the access system preferably comprises a working catheter extending through the proximal isolation barrier and providing access (e.g., for instruments, etc.) to the wall of the isolated segment of the body lumen. Furthermore, the access system can be configured so as to be mountable
15 on a guidewire, so that the access system can be delivered over a guidewire to a desired position within a body lumen.

In one preferred form of the present invention, there is provided apparatus for accessing the wall of a body lumen while simultaneously providing zone isolation and fluid bypass capability, the apparatus comprising:

20 an erectable proximal isolation barrier capable of making a sealing engagement with the wall of the body lumen;

- 6 -

an erectable distal isolation barrier capable of making a sealing engagement with the wall of the body lumen;

a bypass channel secured to, and extending between, the proximal isolation barrier and the distal isolation barrier, the bypass channel comprising a lumen communicating with the region proximal to the proximal isolation barrier and with the region distal to the distal isolation barrier; and

a working catheter passing through the proximal isolation barrier and terminating short of the distal isolation barrier, the working catheter providing a central lumen for providing access to the wall of the body lumen between the proximal isolation barrier and the distal isolation barrier.

In another preferred form of the present invention, there is provided a method for accessing the wall of a body lumen while simultaneously providing zone isolation and fluid bypass capability, the method comprising:

providing an access system comprising:

an erectable proximal isolation barrier capable of making a sealing engagement with the wall of the body lumen;

an erectable distal isolation barrier capable of making a sealing engagement with the wall of the body lumen;

a bypass channel secured to, and extending between, the proximal isolation barrier and the distal isolation barrier, the bypass channel comprising a

- 7 -

lumen communicating with the region proximal to the proximal isolation barrier and with the region distal to the distal isolation barrier; and

a working catheter passing through the proximal isolation barrier and terminating short of the distal isolation barrier, the working catheter providing
5 a central lumen for providing access to the wall of the body lumen between the proximal isolation barrier and the distal isolation barrier;

deploying the access system within the body lumen;

erecting the distal isolation barrier and the proximal isolation barrier; and

accessing the wall of the body lumen through the working catheter.

10 As noted above, the present invention provides a novel method and apparatus for accessing the wall of a vascular structure or other body lumen while simultaneously providing zone isolation and fluid bypass capability. In the following description, the present invention may sometimes hereinafter be discussed in the context of application to a vascular structure, however, it should
15 be appreciated that this is done solely for the sake of clarity of illustration and should not be considered as limiting the scope of the present invention. Thus, the present invention may also be used in conjunction with body lumens other than vascular structures, e.g., the gastrointestinal or genitourinary tract, the lymph system, an air passageway, the interior of a hollow organ, a passageway through a
20 body structure, etc.

- 8 -

In another preferred form of the present invention, there is provided a method for repairing an abnormality in the wall of a body lumen, the method comprising:

5 isolating the abnormality in the wall of the body lumen from flow in the body lumen;

positioning flowable forming material adjacent to the abnormality in the wall of the body lumen; and

transforming the flowable forming material into a substantially stationary state so as to repair the abnormality in the wall of the body lumen.

10 In another preferred form of the present invention, there is provided apparatus for repairing an abnormality in the wall of a body lumen, the apparatus comprising:

a supply of flowable forming material;

15 zone isolation apparatus for isolating the abnormality in the wall of the body lumen from flow in the body lumen; and

positioning apparatus for positioning the flowable forming material adjacent to the abnormality in the wall of the body lumen so as to repair the abnormality in the wall of the body lumen.

20 Brief Description Of The Drawings

These and other objects and features of the present invention will be more fully disclosed or rendered obvious by the following detailed description of the preferred embodiments of the invention, which is to be considered together with the accompanying drawings wherein like numbers refer to like parts and further
5 wherein:

Fig. 1 is a schematic perspective view showing the access system of the present invention deployed within a vascular structure;

Fig. 2 is a schematic side view showing the access system of Fig. 1 deployed within a vascular structure, wherein the vascular structure includes an
10 aneurysm;

Fig. 3 is a schematic end view, as seen from the distal end, showing the access system of Fig. 1 deployed within the vascular structure shown in Fig. 2;

Fig. 4 is a schematic perspective view showing an alternative form of an access system deployed within a vascular structure;

Fig. 5 is a schematic side view showing the access system of Fig. 4 deployed within a vascular structure, wherein the vascular structure includes an
15 aneurysm;

Fig. 6 is a schematic perspective view showing an alternative form of an access system;

Fig. 7 is a schematic end view of the access system shown in Fig. 6;

Fig. 8 is a schematic sectional view taken along line A-A of Fig. 7;

20

- 10 -

Fig. 9 is a schematic enlarged view of the segment labeled B in Fig. 8;

Fig. 10 is a schematic perspective view showing an alternative form of an access system;

Fig. 11 is a schematic end view of the access system shown in Fig. 10;

5 Fig. 12 is a schematic sectional view taken along line C-C of Fig. 11;

Figs. 13, 14, 14A and 15-20 illustrate a delivery catheter which may used to deploy the access system of the present invention at a procedure site within a vascular structure;

10 Figs. 21-26 are schematic views showing one approach for repairing a lateral aneurysm using an endoluminal approach and a flowable forming material;

Figs. 27-32 are schematic views showing another approach for repairing a lateral aneurysm using an endoluminal approach and a flowable forming material;

15 Figs. 33-38 are schematic views showing still another approach for repairing a lateral aneurysm using an endoluminal approach and a flowable forming material;

Figs. 39-44 are schematic views showing an approach for repairing a fusiform aneurysm using an endoluminal approach and a flowable forming material;

20 Figs. 45-50 are schematic views showing another approach for repairing a fusiform aneurysm using an endoluminal approach and a flowable forming material;

- 11 -

Figs. 51-56 are schematic views showing still another approach for repairing a fusiform aneurysm using an endoluminal approach and a flowable forming material;

5 Figs. 57-63 are schematic views showing another approach for repairing a lateral aneurysm using an endoluminal approach and a flowable forming material;

Fig. 64 is a schematic view showing an approach for repairing an abnormality in a body lumen using an endoluminal approach and a flowable forming material; and

10 Figs. 65-68 are schematic views showing various constructions for a mold structure which may be used in conjunction with the present invention.

Detailed Description Of The Preferred Embodiments

Method And Apparatus For Accessing The Wall Of A Vascular

15 Structure Or Other Body Lumen While Simultaneously

Providing Zone Isolation And Fluid Bypass Capability

Looking first at Figs. 1-3, there is shown an access system 5 formed in accordance with the present invention. Access system 5 generally comprises an erectable proximal isolation barrier 10 and an erectable distal isolation barrier 15 for disposition within the lumen of a vascular structure or other body lumen. Erectable proximal isolation barrier 10 and erectable distal isolation barrier 15 are

20

- 12 -

formed so that they can (i) initially assume a diametrically-reduced configuration so as to facilitate insertion of access system 5 to a site where a procedure (e.g., therapy, diagnosis, exploration, etc.) is to be conducted, and (ii) thereafter assume a diametrically-expanded configuration once at the procedure site so as to form a fluid-tight (occlusive) seal against the wall of the vascular structure, whereby to isolate a segment of the vascular structure from the remainder of the vascular structure, e.g., while a procedure is performed. In one preferred form of the invention, proximal isolation barrier 10 and distal isolation barrier 15 have a peripheral surface texture to help ensure that the barriers will maintain their position in the vascular structure once deployed. By way of example but not limitation, such peripheral surface texturing may comprise dimpling, circumferential ribbing, etc. In this respect it will be appreciated that the proximal and distal isolation barriers should remain in place when systolic pressure is present on the outer surfaces of each of the isolation barriers and atmospheric pressure is present within the isolated segment of the vascular structure. Furthermore, erectable proximal isolation barrier 10 and erectable distal isolation barrier 15 are formed so that they may be collapsed when desired so as to facilitate removal of access system 5 from the vascular structure, e.g., at the conclusion of the procedure. By way of example but not limitation, erectable proximal isolation barrier 10 and erectable distal isolation barrier 15 may be formed by inflatable/deflatable balloons, compressible/expandable superelastic

- 13 -

shape memory alloy (e.g., Nitinol) rings, etc. As a result of this construction, when access system 5 has been deployed at a desired point in a vascular structure or other body lumen, and erectable proximal isolation barrier 10 and erectable distal isolation barrier 15 have been expanded to their sealing condition, access system 5 can isolate a segment of the vascular structure (i.e., the portion located between erected proximal isolation barrier 10 and erected distal isolation barrier 15) from the remainder of the vascular structure, e.g., while a procedure is performed. This can be important in a variety of situations, e.g., where the procedure may dislodge debris which could harm downstream tissue.

Access system 5 is preferably constructed so that erectable proximal isolation barrier 10 and erectable distal isolation barrier 15 may be diametrically-expanded and diametrically-reduced independently of one another. In other words, access system 5 is preferably constructed so that proximal isolation barrier 10 may be diametrically-expanded or diametrically-reduced regardless of the condition of distal isolation barrier 15, and vice-versa.

Where erectable proximal isolation barrier 10 and erectable distal isolation barrier 15 are formed out of an inflatable/deflatable balloon, access system 5 also comprises channels for delivering fluid (a liquid or a gas) for inflating/deflating the balloons. By way of example but not limitation, a channel 16 may be provided for inflating the balloon of erectable proximal isolation barrier 10 and a

- 14 -

channel 17 may be provided for inflating the balloon of erectable distal isolation barrier 15.

Access system 5 further comprises a bypass channel 20 secured to, and extending between and through, proximal isolation barrier 10 and distal isolation barrier 15. Bypass channel 20 comprises a central lumen 25 (Fig. 3) which opens proximal to proximal isolation barrier 10 and distal to distal isolation barrier 15, whereby to permit flow from one side of access system 5 to the other side of access system 5. As a result of this construction, when access system 5 is deployed in a vascular structure so as to isolate a segment of the vascular structure from the remainder of the vascular structure, access system 5 can still permit blood to flow uninterrupted through the bypass channel 20 which traverses the isolated segment of the vascular structure. This can be important in a variety of situations, e.g., such as where continued blood flow is important for the oxygenation of downstream tissues.

In one embodiment, the upstream isolation barrier may be configured so as to channel blood flow into bypass channel 20. Thus, for example, in Fig. 1, proximal isolation barrier 10 may be configured so as to channel blood flow into bypass channel 20. By way of example but not limitation, the upstream side of proximal isolation barrier 10 may be formed with a concave (e.g., funnel-shaped) surface surrounding the entrance to bypass channel 20.

- 15 -

Thus it will be seen that access system 5 provides both zone isolation (via proximal isolation barrier 10 and distal isolation barrier 15) and distal perfusion (via bypass channel 20). These features can be important in a variety of situations where zone isolation and distal perfusion are both desirable and/or necessary, e.g.,
5 where vascular trauma needs to be temporarily stabilized while the patient is transported to another site for further treatment, where an aneurysm (e.g., abdominal or thoracic, iliac or femoral, etc.) is bleeding and/or threatening to rupture, or actually has ruptured, etc. Furthermore, it should be appreciated that access system 5 may be used on both the arterial and venous sides of the
10 circulation system.

Access system 5 further comprises a working catheter 30 which passes through proximal isolation barrier 10 and provides access (e.g., for medical instruments including but not limited to cutting instruments, biopsy instruments, closure instruments, material delivery systems, endoscopes, etc., including for the
15 delivery of adhesives and/or agents for promoting thrombus, gene therapeutic agents, etc.) to the wall of the isolated length of the vascular structure. Preferably, working catheter 30 can slide forward and backward through proximal isolation barrier 10 such that working catheter 30 can be positioned anywhere between proximal isolation barrier 10 and distal isolation barrier 15. Additionally, access
20 system 5 is preferably configured so that working catheter 30 can be rotated in

- 16 -

order that the distal tip 33 of working catheter 30 can access substantially the entire circumference of the isolated vessel.

Access system 5 is preferably configured so as to be mountable on a guidewire 35, so that access system 5 may be delivered to a desired position within the vascular structure. By way of example but not limitation, access system 5 may comprise a guidewire channel 40 mounted to proximal isolation barrier 10 and/or working catheter 30 (e.g., proximal to proximal isolation barrier 10, as shown in Fig. 1), such that guidewire 35 may be received within bypass channel 20 and guidewire channel 40, whereby to permit controlled delivery of access system 5 to a desired location within a vascular structure.

In one preferred form of use, and looking now at Figs. 1-3, access system 5 may be used to isolate, bypass and access the wall of a vascular structure. By way of example but not limitation, access system 5 may be used to isolate, bypass and access a lateral aneurysm 45 formed in the wall of a vascular structure 50. In this case, guidewire 35 is first deployed down vascular structure 50. Then access system 5, with proximal isolation barrier 10 and distal isolation barrier 15 set in their diametrically-reduced condition, is advanced over the guidewire to a point adjacent to lateral aneurysm 45. Next, proximal isolation barrier 10 and distal isolation barrier 15 are set in their diametrically-expanded condition, so as to conform to, and seal against, the wall of the vascular structure and thereby create an isolation zone 55 which encompasses lateral aneurysm 45. However, it will be

- 17 -

appreciated that blood is still able to flow past the isolation zone (e.g., from flow zone 60 to flow zone 65) via bypass channel 20. To the extent that the proximal end of working catheter 30 is open to the atmosphere, blood in the isolation zone may flow out of the isolation zone via the working catheter and be replaced with
5 air. Alternatively, the working catheter may be used to introduce another fluid (e.g., saline) into the isolation zone. At this point, instruments may be advanced through working catheter 30 so as to access, and provide therapy to, lateral aneurysm 45. Such instruments may include, but are not limited to, cutting instruments, biopsy instruments, closure instruments, material delivery systems,
10 endoscopes, etc. At the conclusion of the procedure, proximal isolation barrier 10 and distal isolation barrier 15 are set in their diametrically-reduced condition, and then access system 5 is withdrawn along guidewire 35. Finally, guidewire 35 is removed from vascular structure 50.

Any debris created in isolation zone 55 during the procedure may be
15 removed by withdrawing blood/debris from isolation zone 55. In one form of the invention, blood/debris evacuation may be effected by applying suction via working catheter 30 while both proximal isolation barrier 10 and distal isolation barrier 15 remain erected. In another form of the invention, blood/debris evacuation may be effected by first returning proximal isolation barrier 10 to its
20 diametrically-reduced configuration while retaining distal isolation barrier 15 in its diametrically-expanded configuration, then removing blood/debris via suction,

- 18 -

and then returning distal isolation barrier 15 to its diametrically-reduced configuration so that access system 5 may be removed from the vascular structure. This latter approach may be particularly applicable to angioplasty in the coronary and/or carotid arteries.

5 Figs. 4 and 5 show an alternative form of access system 5. The access system shown in Figs. 4 and 5 is substantially the same as the access system shown in Figs. 1-3, except that guidewire channel 40 extends parallel to, but spaced from, bypass channel 20 and bypass channel 20 is positioned diametrically outboard so as to sit proximate to the wall of the vascular structure.

10 If desired, working catheter 30 may be made detachable from the remainder of access system 5. This feature can be advantageous where longer term isolation of a vascular region is desired, e.g., for aneurysm embolization, since it allows the relatively large-bore working catheter to be removed, leaving only the zone isolation apparatus and fluid bypass apparatus present in the body
15 lumen.

As noted above, proximal isolation barrier 10 and distal isolation barrier 15 are designed so as to be able to assume a diametrically-expanded configuration or a diametrically-reduced configuration. As also noted above, proximal isolation barrier 10 and distal isolation barrier 15 may comprise an inflatable/deflatable
20 balloon or a compressible/expandable ring, etc. In this respect it should be appreciated that where proximal isolation barrier 10 and distal isolation barrier 15

- 19 -

comprise an inflatable/deflatable balloon, the balloon may extend across substantially the entire diameter of the vascular structure. Alternatively, the balloon may extend only about the periphery of the diameter of the vascular structure, and a membrane 67 may extend across the interior of the balloon, such as is shown in Fig. 3. A similar construction may be used where proximal isolation barrier 10 and distal isolation barrier 15 comprise a compressible/expandable ring, e.g., such as one formed from a superelastic shape memory alloy. Again, a membrane may extend across the interior of the ring.

Figs. 6-9 show an alternative form of access system 5. The access system shown in Figs. 6-9 is substantially the same as the access system shown in Figs. 1-3 except that proximal isolation barrier 10 and distal isolation barrier 15 comprise multi-segmented balloons 70, and working catheter 30 includes an opening 75 connected to the lumen of working catheter 30. The use of these multi-segmented balloons 70 to form proximal isolation barrier 10 and distal isolation barrier 15 provide a wider, more stable barrier without restricting blood flow through bypass channel 20. As seen in Fig. 9, channels 80 may be provided between adjacent balloons so that the interior of the balloons are in communication with one another.

Figs. 10-12 show an alternative form of access system 5. The access system shown in Figs. 10-12 is substantially the same as the access system shown

- 20 -

in Figs. 6-9 except that channels 80 may be replaced with holes 85 so that the interior of the balloons are in communication with one another.

Deployment

5 Access system 5 may be deployed in a vascular structure or other body lumen using a delivery catheter. More particularly, and looking next at Figs. 13, 14, 14A and 15-20, a delivery catheter 100 comprising a delivery sheath 103 may be provided for advancing access system 5 to a procedure site within a vascular structure (or other body lumen), and for erecting access system 5 in the manner
10 previously discussed. Furthermore, delivery catheter 100 may be used for advancing instruments down to the procedure site and/or removing debris from the procedure site (e.g., a fusiform aortic aneurysm 104 of the type shown in Fig. 14A), again in the manner previously discussed. Finally, delivery catheter 100 may be used to collapse access system 5 and remove it from the vascular structure
15 (or other body lumen). In the case where access system 5 comprises inflatable/deflatable balloons in its proximal isolation barrier and/or distal isolation barrier 15, delivery catheter 100 may contain one or more fluid supply tubes 105 for inflating/deflating the balloons. It should be appreciated that delivery sheath 103 of delivery catheter 100 may also perform the function of an
20 introducer sheath, in the sense that it can be secured to the exterior tissue of the patient once the delivery catheter is properly positioned. A hemostatic valve 110,

- 21 -

with a side port 115, is preferably located on the proximal end of the delivery catheter to prevent the loss of blood through the catheter while still allowing the insertion of access system 5.

5

Anatomical Applications

It should be appreciated that access system 5 can be used to provide a wide range of therapies to vascular structures, e.g., aneurysm therapy, lesion therapy, infusion therapy, gene therapy, photodynamic therapy, etc. Access system 5 may also be used to repair tears, flaps and leaks in a vascular structure.

10

Furthermore, it should be also be appreciated that the present invention can be used to access structures other than vascular structures, e.g., the esophagus, stomach, small or large bowel, ureter, bladder, urethra, bronchus, bile duct, ear, nose, fallopian tube, other tubular or hollow structures within the human body, etc. In essence, the present invention can be advantageously used in substantially any body lumen where isolation, access and/or fluid bypass are desired.

15

Additionally, it should be appreciated that the zone which is isolated between the proximal and distal isolation barriers could be of varying lengths, and of various diameters as well. Furthermore, many different catheter shapes and sizes may be utilized.

- 22 -

Without limiting the breadth and scope of the present invention, it is anticipated that the present invention is particularly well suited for treating fusiform aneurysms in the aorta and the larger peripheral blood vessels.

Furthermore, without limiting the breadth and scope of the present invention, it is anticipated that the present invention is particularly well suited for treating vascular trauma in a variety of situations where zone isolation and distal perfusion are both desirable and/or necessary, e.g., where vascular trauma needs to be temporarily stabilized while the patient is transported to another site for further treatment.

Method And Apparatus For Repairing Vascular Abnormalities
And/Or Other Body Lumen Abnormalities Using An Endoluminal
Approach And A Flowable Forming Material

In the foregoing description, there is disclosed a novel method and apparatus for endoluminally accessing the wall of a vascular structure or other body lumen while simultaneously providing zone isolation and fluid bypass capability.

Significantly, this novel method and apparatus for endoluminally accessing the wall of a vascular structure or other body lumen can be used in conjunction with another novel method and apparatus in order to endoluminally repair vascular abnormalities and/or other body lumen abnormalities. More

- 23 -

particularly, in another aspect of the present invention, there is provided a novel method and apparatus for repairing vascular abnormalities and/or other body lumen abnormalities using an endoluminal approach and a flowable forming material.

5 Looking next at Figs. 21-26, vascular structure 50 is shown having lateral aneurysm 45. As is well known, such a lateral aneurysm can present a substantial risk to the patient, since the aneurysm may enlarge and rupture if it is left untreated. To this end, it is generally desirable to block the flow of blood into the aneurysm so as to prevent the aneurysm from enlarging and rupturing. In some
10 circumstances this may be accomplished by placing a clip across the neck of the aneurysm (i.e., via an invasive surgical approach), or by performing a repair with a graft (in the case of an abdominal aortic aneurysm). However, in other circumstances, it may be difficult to reach the aneurysm in order to apply the clip, e.g., where the aneurysm is located deep within the brain or in the case of trauma
15 where no facilities are available in the field to perform a repair. In these situations, and others, it could be desirable to close off the aneurysm using an endoluminal approach. In this respect it should be appreciated that such an endoluminal approach can substantially reduce morbidity, since it eliminates the need to open the skull and avoids trauma to intervening tissue.

20 To this end, the present invention provides a novel method and apparatus for closing off an aneurysm using an endoluminal approach. More particularly,

- 24 -

the present invention provides a method and apparatus for accessing an aneurysm via an endoluminal approach and then filling the aneurysm with a flowable forming material so as to close off the aneurysm from blood flow. Significantly, the present invention may also be used to endoluminally repair other vascular abnormalities and/or to repair other body lumen abnormalities such as vascular tears, flaps, and perforations using an endoluminal approach and a flowable forming material.

And significantly, the present invention may be facilitated using the aforementioned access system 5.

In accordance with one preferred form of the present invention, an aneurysm in a vascular structure may be repaired in the following manner. First, and still looking now at Figs. 21-26, the aforementioned access system 5 is introduced into the vascular structure 50 and advanced along that vascular structure until erectable proximal isolation barrier 10 and erectable distal isolation barrier 15 straddle the neck of the aneurysm 45. Then proximal isolation barrier 10 and distal isolation barrier 15 are erected so as to isolate the segment of the vascular structure which is disposed between proximal isolation barrier 10 and distal isolation barrier 15 (i.e., isolation zone 55) from the remainder of the vascular structure. However, as this occurs, and as discussed previously, bypass channel 20 maintains fluid flow from one side of the isolation zone to the other side of the isolation zone. This is significant, since it permits uninterrupted

- 25 -

oxygenation of downstream tissue, and hence permits procedure time to be increased without risk of oxygen deprivation to downstream tissue. The blood contained within isolation zone 55 (and aneurysm 45) may then be removed via opening 75 of working catheter 30 and replaced by another fluid, e.g., air, saline, etc. See Fig. 21. Next, a supply catheter 205 is advanced down working catheter 30 so that the distal end 210 of supply catheter 205 emerges from opening 75 and is disposed adjacent to, or within, aneurysm 45. See Fig. 22. Then a flowable forming material 215 is flowed out of distal end 210 of supply catheter 205 and into aneurysm 45. The flow of flowable forming material is continued until aneurysm 45 is, preferably, substantially completely filled with flowable forming material 215. See Figs. 23-25. This flowable forming material 215 occupies the interior space of aneurysm 45 and prevents blood from flowing back into the aneurysm. Thereafter, after flowable forming material 215 has assumed its substantially stationary state, access system 5 is removed from vascular structure 50, allowing blood to return to the neck of aneurysm 45. However, since the aneurysm has been filled with flowable forming material 215, blood is unable to re-enter the aneurysm. Thus, the risk of subsequent aneurysm enlargement and rupture is significantly reduced.

It should be appreciated that inasmuch as access system 5 simultaneously provides both zone isolation capability and fluid bypass capability, access system 5 can be maintained in vascular structure 50 for substantial periods of time while

- 26 -

flowable forming material 215 is deployed in position and assumes its substantially stationary state, thereby increasing the possibility of better repair and expanding the range of compositions which may be used for flowable forming material 215.

5 In Figs. 21-26 discussed above, and Figs. 27-32, 33-38, 39-44, 45-50, 51-56 and 57-63 which are hereinafter discussed, the boundary of flowable forming material 215 is generally shown to have a “wavy” boundary line. These are schematic views which are intended to indicate that the boundary line of flowable forming material 215 may or may not have a uniform, highly regular character, depending upon a variety of factors, e.g., the nature of the flowable forming material, the presence or absence of a mold structure (see below), the face of such a mold structure, etc. Thus, it should be understood that the use of a “wavy” boundary line in the drawings is not intended to necessarily indicate a non-uniform boundary line for flowable forming material 215. In point of fact, where flowable forming material 215 is intended to abut active blood flow, it is generally desired that flowable forming material 215 have a uniform, highly regular character in order to preserve laminar blood flow.

Flowable forming material 215 preferably comprises a bi-state material, having (i) a flowable state prior to disposition within the aneurysm, and (ii) a substantially stationary state after disposition within the aneurysm. In its flowable state, flowable forming material 215 may comprise a liquid, a foam, a gel, etc.

- 27 -

Flowable forming material 215 may comprise a polymer which is cured in situ, an adhesive which hardens in situ, thrombus, fibrin glue, or any other material consistent with the present invention.

By way of example but not limitation, flowable forming material 215 may
5 comprise a permanent, non-resorbable material. Some candidate permanent, non-resorbable materials are as follows:

(1) a hybrid inorganic/organic - hydraulic cement/polyurethane resin
(expands slightly during cure), including:

(a) a solid, rigid molded matrix;
10 (b) a foaming during cure to produce an open-cell, microcellular, rigid foam; and

(c) a syntactic foam containing pre-formed resorbable gelatin microspheres containing an active ingredient, such as an antibiotic;

(2) an organic polymer ambient temperature cure resin, including:

15 (a) methyl methacrylate (MMA) liquid monomer catalyzed with peroxide initiator - this material can cure at body temperature within several minutes to several hours, depending upon catalyst type and amount, and has been successfully applied to knee replacement surgery, etc. - some available options include:

20 (i) a solid, rigid molded poly(methyl methacrylate [PMMA] matrix;

- 28 -

(ii) a syntactic foam containing pre-formed resorbable gelatin microspheres containing an active ingredient, such as an antibiotic; and

(iii) an Oakes Foamer-produced pre-formed MMA liquid monomer foam injection to produce rigid, closed cell foam matrix - this material can expand slightly during cure within the body; and

(b) polyurethane (non-resorbable) liquid pre-polymer blended and mixed with co-reactant polyol/catalyst component immediately prior to injection-molding into in-vivo mold cavity - this material can cure at body temperature within several minutes to several hours, depending upon catalyst type and amount, and biocompatible, non-resorbable polyurethane (PUR) monomers and catalysts are available that produce a soft, elastomeric-to-hard, rigid, cured PUR matrix - some available options include:

(i) a solid, rigid molded matrix;

(ii) a foaming during cure to produce an open-cell, microcellular, rigid foam - this non-resorbable foam matrix can be made to contain active components, such as antibiotics, that leach out at a controlled, adjustable rate;

(iii) a syntactic foam containing pre-formed resorbable gelatin microspheres that are filled with an active ingredient, such as an antibiotic - as the gelatin capsule walls are resorbed into the body, the active ingredient

- 29 -

becomes leached out in a controlled-release process that can be adjusted in rate and amount; and

(iv) an Oakes Foamer-produced pre-formed PUR liquid monomer foam injection to produce rigid, closed cell foam matrix - this material can expand slightly during cure within the body.

By way of further example but not limitation, flowable forming material may comprise a resorbable material. Some candidate resorbable materials are as follows:

(1) a resorbable organic polymer ambient temperature cure resin - some available options include:

(a) a bioresorbable polyurethane (contains biodegradable chain segments) liquid pre-polymer blended and mixed with co-reactant polyol/catalyst component immediately prior to injection-molding into in-vivo mold cavity - this material cures at body temperature within several minutes to several hours, depending upon catalyst type and amount, and biocompatible, resorbable polyurethane (PUR) monomers and catalysts are available that produce soft, elastomeric-to-hard, rigid, cured PUR matrix - resorbable polyurethane polymer chain segments can be polylactic acid (PLA), polyglutaric acid (PGA), polyethylene oxide (PEO), polycaprolactone (PCL), polyvinyl alcohol (PVOH) and polyethylene/vinyl alcohol (EVOH) segments with tailorable resorption rates,

- 30 -

varying from 15 days to 6 months, depending upon chain segment type and amount - some options include:

(i) a solid, rigid molded matrix;

(ii) a foaming during cure to produce an open-cell,

5 microcellular, rigid foam - this in-vivo resorbable foam matrix can be made to contain active components, such as antibiotics, that are released into the body at a controlled, adjustable rate as the matrix is resorbed;

(iii) a syntactic foam containing pre-formed resorbable gelatin microspheres that are filled with an active ingredient, such as an antibiotic
10 - as resorbable polymer matrix and resorbable gelatin capsule walls are resorbed into the body, the active ingredient becomes leached out in a controlled-release process that can be adjusted in rate and amount; and

(iv) an Oakes Foamer-produced pre-formed PUR liquid monomer foam injection to produce rigid, resorbable closed cell foam matrix -
15 this material can expand slightly during cure within body; and

(b) resorbable hydroxyethylmethacrylate ester (HEMAE) liquid monomer (this material contains biodegradable ester linkages, such as PLA, PCL and PGA linkages, attached to methacrylate monomer unit) catalyzed with peroxide initiator - this material can cure at body temperature within several
20 minutes to several hours, depending upon catalyst type and amount - this material can undergo gradual bioresorption in-vivo - attached ester linkages can be

- 31 -

functional groups, such as an antibiotic, that are released as ester linkage is hydrolyzed in-vivo - some options include:

(i) a solid, rigid molded poly(HEMAE) matrix;

(ii) a syntactic foam containing pre-formed resorbable
5 gelatin microspheres containing an active ingredient, such as antibiotic; and

(iii) an Oakes Foamer-produced pre-formed MMA liquid monomer foam injection to produce rigid, closed cell foam matrix - this material can expand slightly during cure within body.

In one preferred form of the invention, flowable forming material 215
10 comprises spider silk.

If desired, a mold structure can be erected within isolation zone 55 so as to restrain the flow of flowable forming material 215 while the forming material is still in its flowable state (and before the material transforms to its substantially stationary state). To this end, and looking now at Figs. 27-31, there is shown a
15 mold structure 220 for restraining the flow of flowable forming material 215 while the material transforms to its substantially stationary state. Mold structure 220 may be configured to line some or all of isolation zone 55, but in any case it lines at least the neck of the aneurysm. In Figs. 27-31, mold structure 220 is configured to line substantially the entire periphery of isolation zone 55. In one
20 preferred form of the invention, mold structure 220 is delivered to isolation zone 55 via access system 5, and is thereafter selectively detachable from the access

- 32 -

system so that the mold structure can be left in vascular structure 50 upon withdrawal of access system 5. See Fig. 32. In another form of the invention, mold structure 220 may be permanently secured to access system 5 so that the mold structure is withdrawn from vascular structure 50 upon withdrawal of the access system. In either case, mold structure 220 forms a barrier about the neck of aneurysm 45 so as to prevent flowable forming material 215 from extravasating out of the body of aneurysm 45.

In one form of the invention, mold structure 220 preferably comprises a substantially continuous film such as is shown in Figs. 27-32. In this form of the invention, distal end 210 of supply catheter 205 is preferably formed with a needle-like profile which permits the supply catheter to puncture through mold structure 220 so as to be able to deliver flowable forming material 215 into the interior of aneurysm 45. Alternatively, mold structure 220 can be formed with an opening therein which permits distal end 210 of supply catheter 205 to deliver flowable forming material into the interior of aneurysm 45. Furthermore, where mold structure 220 is to be left in place at the conclusion of the procedure, flowable forming material 215 and mold structure 220 can be configured to adhere to one another.

In another form of the invention, and looking now at Figs. 33-38, mold structure 220 may comprise a mesh. This mesh has a porosity which is sufficiently small vis-à-vis the flow characteristics of flowable forming material

- 33 -

215 that the mesh restrains the flowable forming material within the aneurysm. Again, distal end 210 of supply catheter 205 is preferably formed with a needle-like profile which permits the supply catheter to puncture through mold structure 220 so as to be able to deliver flowable forming material 215 into the interior of aneurysm 45. Alternatively, mold structure 220 can be formed with an opening therein which permits distal end 210 of supply catheter 205 to deliver flowable forming material into the interior of aneurysm 45. And again, where mold structure 220 is to be left in place at the conclusion of the procedure, flowable forming material 215 and mold structure 220 can be configured to adhere to one another.

Figs. 21-26, 27-32 and 33-38 all show the present invention being used in the context of repairing a lateral aneurysm. However, it is also possible to use the present invention to treat a fusiform aneurysm. See, for example, Figs. 39-44, where the aneurysm is filled with flowable forming material 215 without using a mold structure; Figs. 45-50, where the aneurysm is filled with flowable forming material 215 using a film-type mold structure 220, and Figs. 51-56 where the aneurysm is filled with flowable forming material 215 using a mesh-type mold structure 220. Where the present invention is used to treat a fusiform aneurysm without the provision of a mold structure, it may be necessary to rotate working catheter 30 about its longitudinal axis so as to enable supply catheter 205 to deliver flowable forming material 215 to all aspects of the aneurysm. Where the

- 34 -

present invention is used to treat a fusiform aneurysm with the provision of a mold structure 220, it may not be necessary to rotate working catheter 30 so as to enable supply catheter 205 to deliver flowable forming material 215 to all aspects of the aneurysm, although it may still be desirable to provide this option.

5 If desired, the flowable forming material 215 can be limited to the region of the aneurysm (e.g., as is shown in Figs. 21-26, 27-32, 33-38, 39-44, 45-50 and 51-56), or it can be allowed to flow into a portion of the lumen of vascular structure 50 in order to provide a flange at the base of the solidified forming material 215. See, for example, Figs. 57-63, which show a flange 225 formed
10 integral with the solidified material filling aneurysm 45. In this respect it should be appreciated that flange 225 can be formed with or without a mold structure, e.g., a partial circumferential mold structure can be provided to constrain flowable forming material 215 so as to form flange 225 or the flowable forming material can be dispensed in a controlled manner so as to form flange 225. Again, Figs.
15 57-63 show this concept in the context of a lateral aneurysm; however, it should be appreciated that this same concept may be applied to fusiform aneurysms as well.

 In the foregoing description, the present invention is discussed in the context of repairing an aneurysm in a vascular structure. However, it should be
20 appreciated that the present invention may also be used to repair other types of vascular abnormalities (e.g., a blood vessel wall which is reduced in thickness or

- 35 -

strength due to disease, trauma, therapeutic intervention such as an angioplasty, device failure such as leaks and/or migration of an abdominal aortic aneurysm (AAA) graft, etc.) and/or abnormalities in other body lumens (e.g., an intestinal wall which is reduced in thickness or strength due to disease or injury). Thus, for example, Fig. 64 shows a body lumen 50A which has flowable forming material 215 lining the wall of body lumen 50A. Also shown are a proximal isolation barrier 10, a distal isolation barrier 15 and a mold structure 220.

It should be appreciated that mold structure 220 can be provided with various configurations other than the simple continuous film configuration shown in Figs. 27-32 and/or the simple mesh configuration shown in Figs. 33-38. Thus, for example, mold structure 220 can be formed with longitudinally-extending ribs 230 (Figs. 65 and 66), circumferentially-extending ribs 230 (Figs. 67 and 68), and/or other configurations. If desired, where proximal isolation barrier 10 and distal isolation barrier 15 comprise inflatable balloon structures, the longitudinally-extending ribs 230 (Figs. 65 and 66) and/or the circumferentially-extending ribs 230 (Figs. 67 and 68) can also comprise balloons, which may or may not be in fluid communication with one or more of the balloons which form proximal isolation barrier 10 and distal isolation barrier 15.

20

Modifications

- 36 -

While the present invention has been described in terms of certain exemplary preferred embodiments, it will be readily understood and appreciated by one of ordinary skill in the art that it is not so limited, and that many additions, deletions and modifications may be made to the preferred embodiments discussed above while remaining within the scope of the present invention.

5

- 37 -

What Is Claimed Is:

1. A method for repairing an abnormality in the wall of a body lumen, the method comprising:
 - 5 isolating the abnormality in the wall of the body lumen from flow in the body lumen;
 - positioning flowable forming material adjacent to the abnormality in the wall of the body lumen; and
 - 10 transforming the flowable forming material into a substantially stationary state so as to repair the abnormality in the wall of the body lumen.
2. A method according to claim 1 wherein the body lumen comprises a vascular structure.
- 15 3. A method according to claim 1 wherein the body lumen comprises one from the group consisting of arterial structure, venous structure, other vascular structure, esophagus, stomach, small bowel, large bowel, ureter, bladder, urethra, bronchus, bile duct, ear, nose and fallopian tube.
- 20 4. A method according to claim 1 wherein the abnormality comprises an aneurysm.

- 38 -

5. A method according to claim 4 wherein the aneurysm comprises at least one from the group consisting of a fusiform aneurysm, a saccular aneurysm and a lateral aneurysm.

5

6. A method according to claim 4 wherein the aneurysm is located in one from the group consisting of the aorta, an iliac branch, a femoral artery, a cerebral artery and a carotid artery.

10

7. A method according to claim 4 wherein the flowable forming material is positioned within the interior of the aneurysm.

15

8. A method according to claim 7 wherein the flowable forming material is positioned within the interior of the aneurysm and within at least a portion of the interior of the body lumen.

20

9. A method according to claim 1 wherein the abnormality comprises one from the group consisting of a reduced wall thickness, a perforation, a tear and a flap.

- 39 -

10. A method according to claim 9 wherein the flowable forming material is integrated with the wall of the body lumen so as to repair the abnormality.

5 11. A method according to claim 1 wherein the abnormality in the wall of the body lumen is isolated from flow in the body lumen while still allowing flow through the body lumen.

10 12. A method according to claim 11 wherein the abnormality in the wall of the body lumen is isolated from flow in the body lumen while still allowing flow through the body lumen by:

providing an access system comprising:

an erectable proximal isolation barrier capable of making a sealing engagement with the wall of the body lumen;

15 an erectable distal isolation barrier capable of making a sealing engagement with the wall of the body lumen;

20 a bypass channel secured to, and extending between, the proximal isolation barrier and the distal isolation barrier, the bypass channel comprising a lumen communicating with the region proximal to the proximal isolation barrier and with the region distal to the distal isolation barrier; and

- 40 -

a working catheter passing through the proximal isolation barrier and terminating short of the distal isolation barrier, the working catheter providing a central lumen for providing access to the wall of the body lumen between the proximal isolation barrier and the distal isolation barrier;

5 deploying the access system within the body lumen; and
 erecting the distal isolation barrier and the proximal isolation barrier so that they make sealing engagements with the wall of the body lumen.

13. A method according to claim 12 wherein the flowable forming
10 material is positioned adjacent to the abnormality in the wall of the body lumen by delivering the flowable forming material through the working catheter.

14. A method according to claim 12 wherein the erectable proximal
isolation barrier and the erectable distal isolation barrier are constructed so as to
15 be capable of assuming a diametrically-reduced configuration and a diametrically-expanded configuration, and further wherein the erectable proximal isolation barrier and the erectable distal isolation barrier are in their diametrically-expanded configuration when making a sealing engagement with the wall of the body
lumen.

20

- 41 -

15. A method according to claim 12 wherein at least one of the erectable proximal isolation barrier and the erectable distal isolation barrier comprises an upstream isolation barrier, and further wherein the upstream isolation barrier is configured to channel blood flow into the bypass channel.

5

16. A method according to claim 12 wherein the proximal isolation barrier comprises an inflatable/deflatable balloon.

17. A method according to claim 16 wherein the inflatable/deflatable balloon comprises a torus with a membrane closing off its center opening.

10

18. A method according to claim 16 wherein the proximal isolation barrier comprises a plurality of inflatable/deflatable balloons.

15

19. A method according to claim 18 wherein the balloons communicate with one another.

20. A method according to claim 12 wherein the proximal isolation barrier comprises a compressible/expandable superelastic shape memory alloy ring.

20

- 42 -

21. A method according to claim 20 wherein the compressible/expandable superelastic shape memory alloy ring comprises a torus with a membrane closing off its center opening.

5 22. A method according to claim 12 wherein the distal isolation barrier comprises an inflatable/deflatable balloon.

23. A method according to claim 22 wherein the inflatable/deflatable balloon comprises a torus with a membrane closing off its center opening.

10

24. A method according to claim 22 wherein the distal isolation barrier comprises a plurality of inflatable/deflatable balloons.

15

25. A method according to claim 24 wherein the balloons communicate with one another.

26. A method according to claim 12 wherein the distal isolation barrier comprises a compressible/expandable superelastic shape memory alloy ring.

- 43 -

27. A method according to claim 26 wherein the compressible/expandable superelastic shape memory alloy ring comprises a torus with a membrane closing off its center opening.

5 28. A method according to claim 12 wherein the access system is deployed into the body lumen over a guidewire.

29. A method according to claim 12 comprising the additional step of detaching the working catheter from the proximal isolation barrier.

10

30. A method according to claim 12 further comprising removing debris from the body lumen.

15

31. A method according to 30 wherein the debris is removed while the proximal isolation barrier and the distal isolation barrier are erected.

32. A method according to 31 wherein the debris is removed by applying suction via the working catheter.

20

33. A method according to claim 30 wherein the erectable proximal isolation barrier is constructed so as to be capable of assuming a diametrically-

- 44 -

reduced configuration and a diametrically-expanded configuration, wherein the erectable proximal isolation barrier is placed in its diametrically-expanded configuration when making a sealing engagement with the wall of the body lumen, and further wherein the erectable proximal isolation barrier is placed in its diametrically-reduced configuration before the debris is removed.

5

34. A method according to claim 12 wherein the native fluid located between the erectable distal isolation barrier and the erectable proximal isolation barrier is replaced with a substitute fluid.

10

35. A method according to claim 34 wherein the substitute fluid comprises saline.

36. A method according to claim 34 wherein the substitute fluid comprises air.

15

37. A method according to claim 34 wherein an endoscope is advanced to the zone located between the proximal isolation barrier and the distal isolation barrier via the working catheter.

20

- 45 -

38. A method according to claim 1 wherein the flowable forming material comprises a non-resorbable material.

5 39. A method according to claim 38 wherein the flowable forming material comprises at least one selected from the group consisting of a hybrid inorganic/organic - hydraulic cement/polyurethane resin and an organic polymer ambient temperature cure resin.

10 40. A method according to claim 39 wherein the flowable forming material comprises at least one selected from the group consisting of methyl methacrylate (MMA), polymethyl methacrylate [PMMA] and polyurethane.

15 41. A method according to claim 1 wherein the flowable forming material comprises a resorbable material.

42. A method according to claim 41 wherein the flowable forming material comprises a resorbable organic polymer ambient temperature cure resin.

20 43. A method according to claim 42 wherein the flowable forming material comprises at least one selected from the group consisting of a

- 46 -

bioresorbable and a resorbable hydroxyethylmethacrylate ester (HEMAE) liquid monomer.

5 44. A method according to claim 1 wherein the flowable forming material comprises polylactic acid (PLA).

 45. A method according to claim 1 wherein the flowable forming material comprises spider silk.

10 46. A method according to claim 1 wherein positioning the flowable forming material adjacent to the abnormality in the wall of the body lumen comprises first positioning a mold structure adjacent to the abnormality in the wall of the body lumen, and thereafter positioning the flowable forming material in the space between the wall of the body lumen and the mold structure.

15 47. A method according to claim 46 wherein the flowable forming material is delivered by a supply catheter, and further wherein the supply catheter is passed through the mold structure prior to positioning the flowable forming material in the space between the wall of the body lumen and the mold structure.

20

- 47 -

48. A method according to claim 46 wherein the mold structure comprises a substantially continuous film.

5 49. A method according to claim 48 wherein the substantially continuous film is in the form of a cylinder.

50. A method according to claim 46 wherein the mold structure comprises a mesh.

10 51. A method according to claim 50 wherein the mesh is in the form of a cylinder.

52. A method according to claim 46 wherein the mold structure comprises a circumferential configuration.

15

53. A method according to claim 46 wherein the mold structure comprises a partial circumferential configuration.

20 54. Apparatus for repairing an abnormality in the wall of a body lumen, the apparatus comprising:

a supply of flowable forming material;

- 48 -

zone isolation apparatus for isolating the abnormality in the wall of the body lumen from flow in the body lumen; and

positioning apparatus for positioning the flowable forming material adjacent to the abnormality in the wall of the body lumen so as to repair the abnormality in the wall of the body lumen.

5

55. Apparatus according to claim 54 wherein the flowable forming material comprising a bi-state material having (i) a flowable state, and (ii) a substantially stationary state.

10

56. Apparatus according to claim 54 wherein the flowable forming material comprises polylactic acid (PLA).

15

57. Apparatus according to claim 54 wherein the flowable forming material comprises spider silk.

58. Apparatus according to claim 54 wherein the zone isolation apparatus isolates the abnormality in the wall of the body lumen from flow in the body lumen while still allowing flow through the body lumen.

20

- 49 -

59. Apparatus according to claim 58 wherein the zone isolation apparatus comprises:

an erectable proximal isolation barrier capable of making a sealing engagement with the wall of the body lumen;

5 an erectable distal isolation barrier capable of making a sealing engagement with the wall of the body lumen;

a bypass channel secured to, and extending between, the proximal isolation barrier and the distal isolation barrier, the bypass channel comprising a lumen communicating with the region proximal to the proximal isolation barrier and with the region distal to the distal isolation barrier; and

10

a working catheter passing through the proximal isolation barrier and terminating short of the distal isolation barrier, the working catheter providing a central lumen for providing access to the wall of the body lumen between the proximal isolation barrier and the distal isolation barrier.

15

60. Apparatus according to claim 59 wherein the erectable proximal isolation barrier and the erectable distal isolation barrier are constructed so as to be capable of assuming a diametrically-reduced configuration and a diametrically-expanded configuration, and further wherein the erectable proximal isolation

20

barrier and the erectable distal isolation barrier are in their diametrically-expanded

- 50 -

configuration when making a sealing engagement with the wall of the body lumen.

5 61. Apparatus according to claim 59 wherein at least one of the erectable proximal isolation barrier and the erectable distal isolation barrier comprises an upstream isolation barrier, and further wherein the upstream isolation barrier is configured to channel blood flow into the bypass channel.

10 62. Apparatus according to claim 54 further comprising a mold structure configured to constrain the flowable forming material in the space between the wall of the body lumen and the mold structure.

15 63. Apparatus according to claim 62 wherein the mold structure is penetrable.

 64. Apparatus according to claim 62 wherein the mold structure comprises a substantially continuous film.

20 65. Apparatus according to claim 64 wherein the substantially continuous film is in the form of a cylinder.

66. Apparatus according to claim 62 wherein the mold structure comprises a mesh.

5 67. Apparatus according to claim 66 wherein the mesh is in the form of a cylinder.

68. Apparatus according to claim 62 wherein the mold structure comprises a circumferential configuration.

10 69. Apparatus according to claim 62 wherein the mold structure comprises a partial circumferential configuration.

15

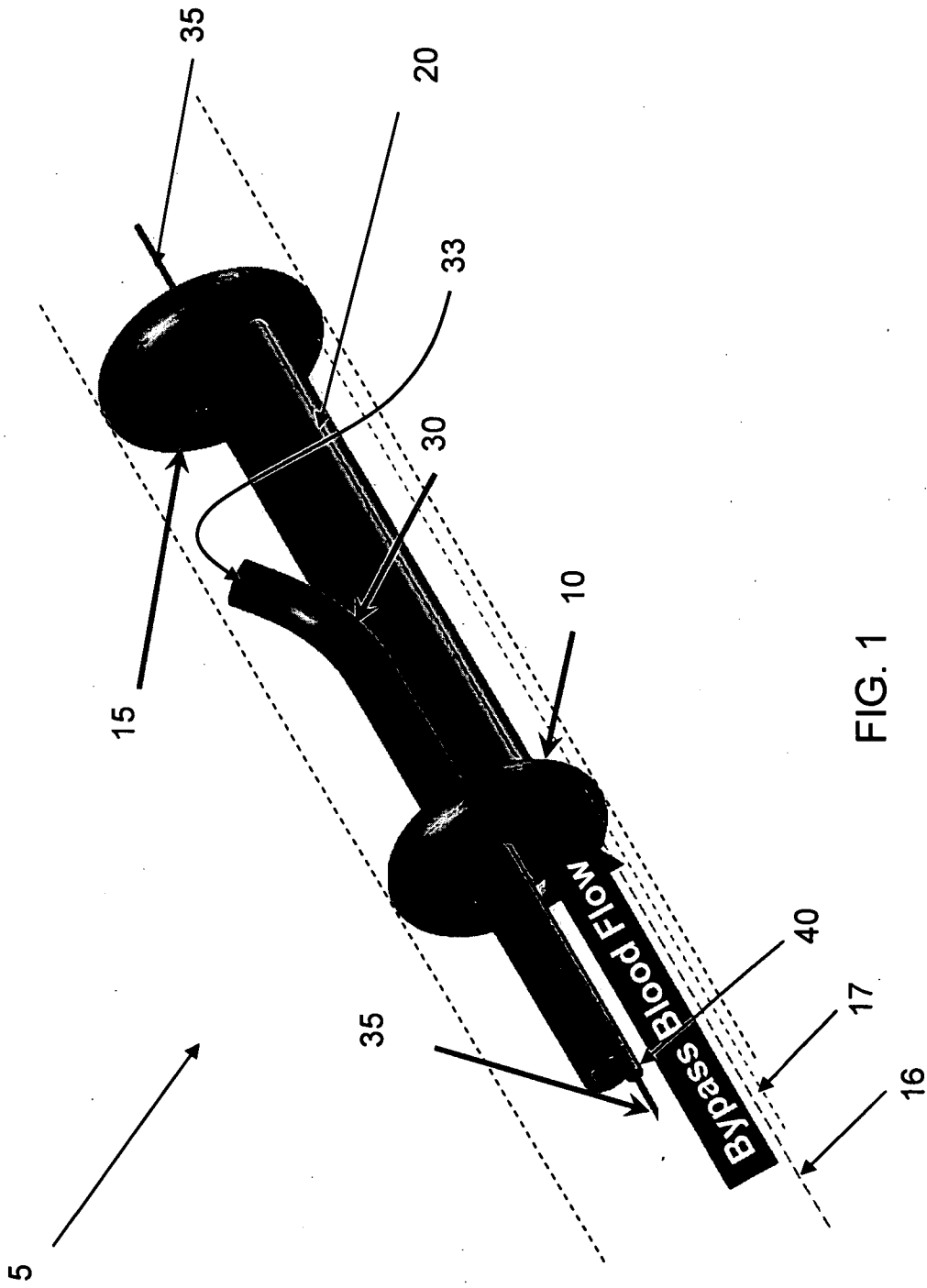


FIG. 1

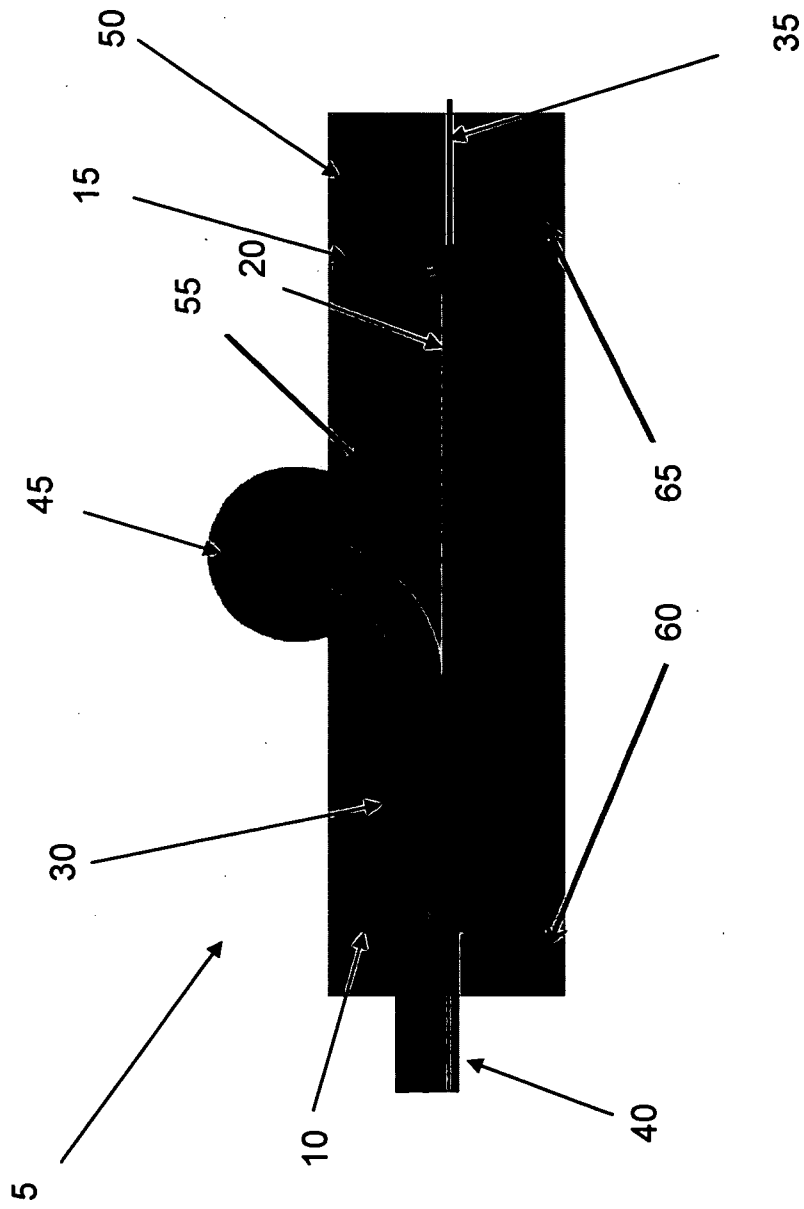


FIG. 2

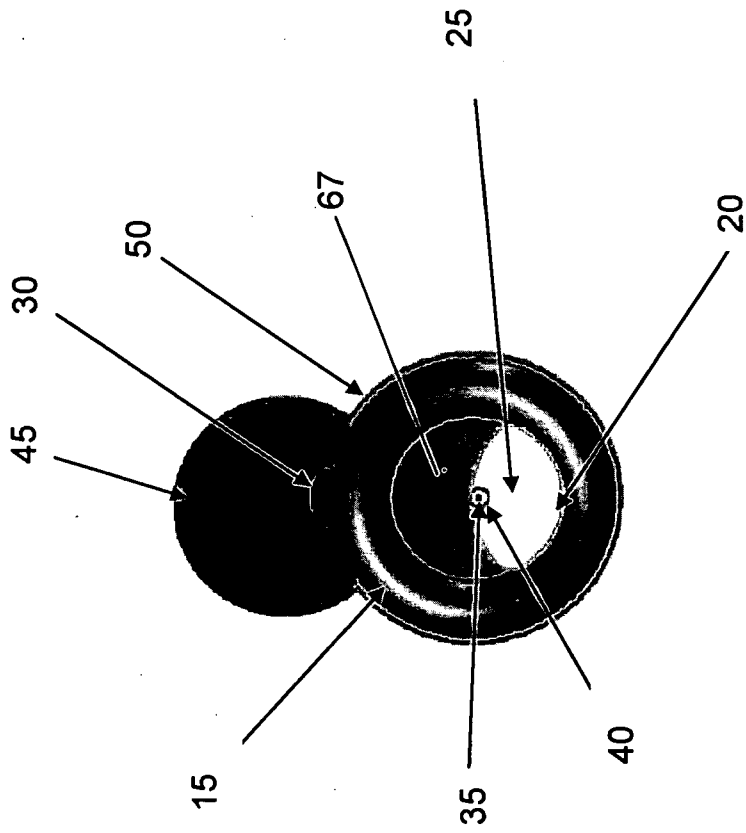


FIG. 3

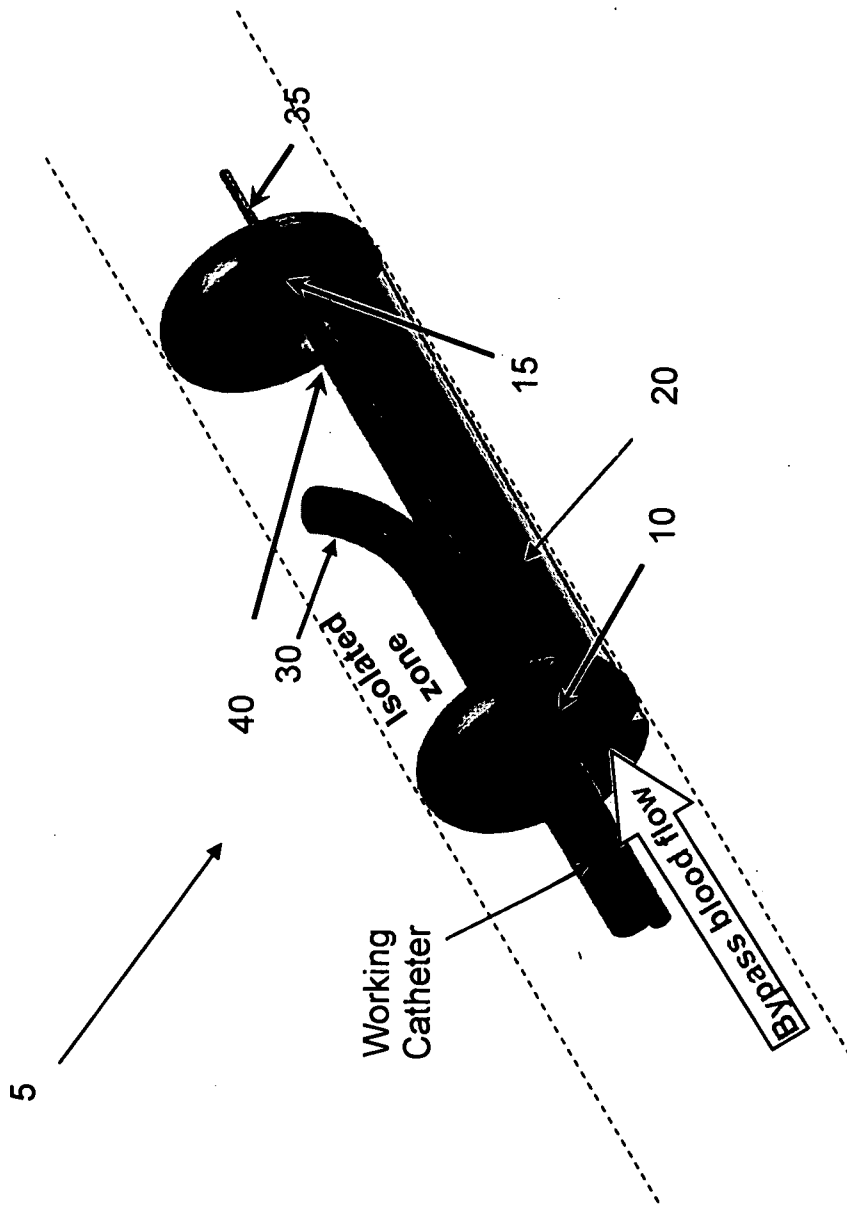


FIG. 4

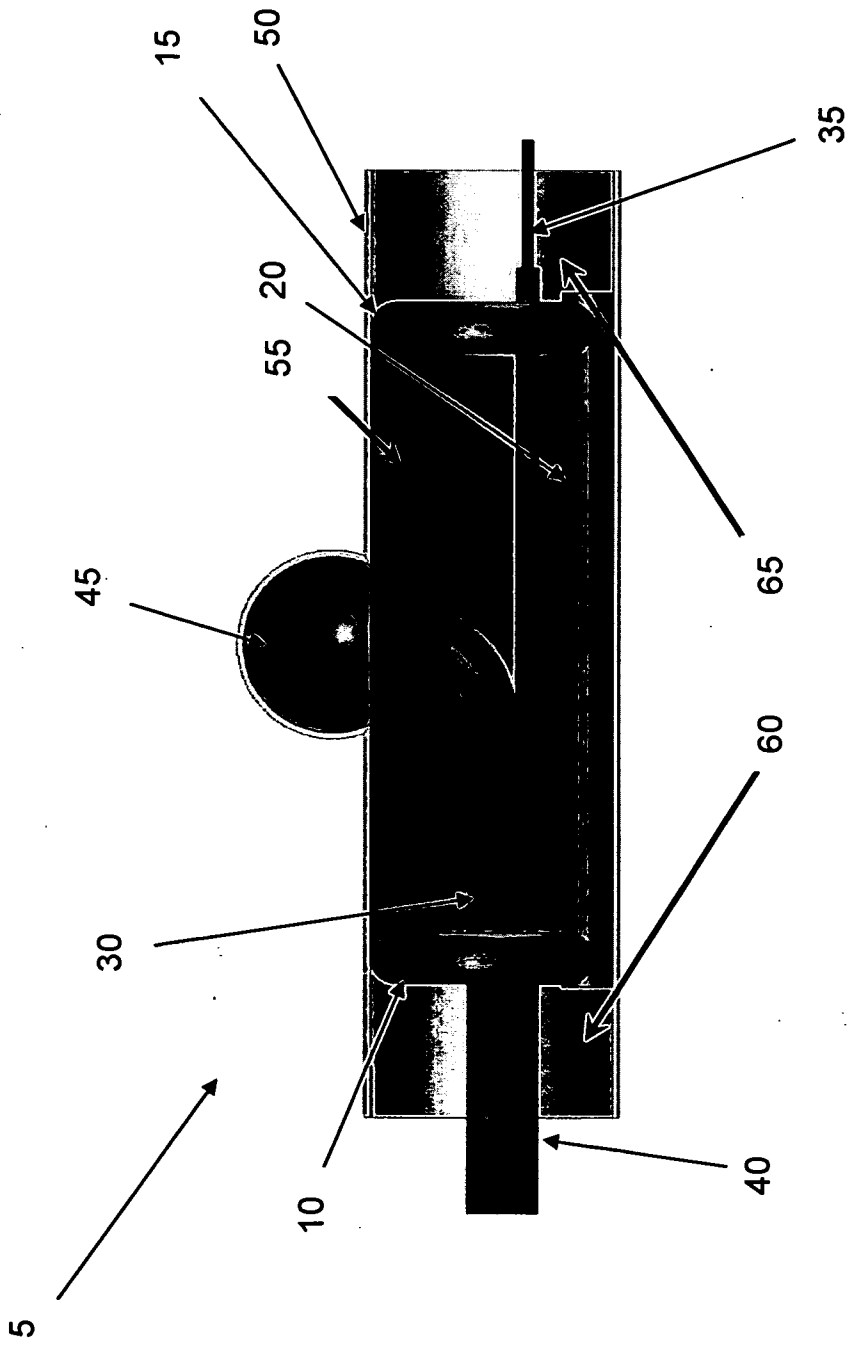


FIG. 5

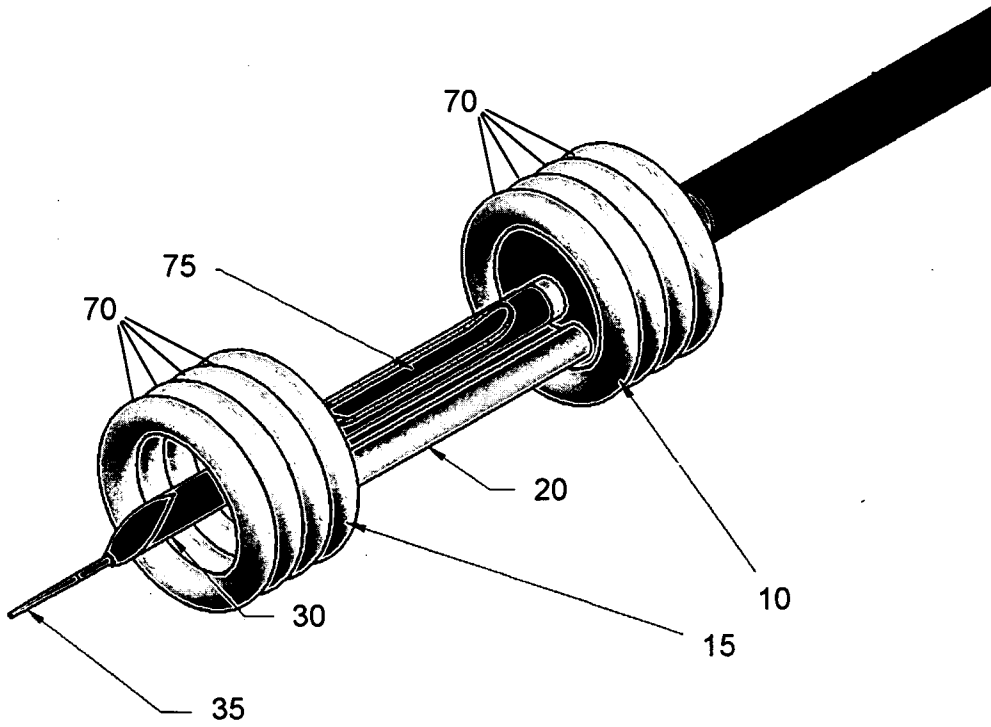


FIG. 6

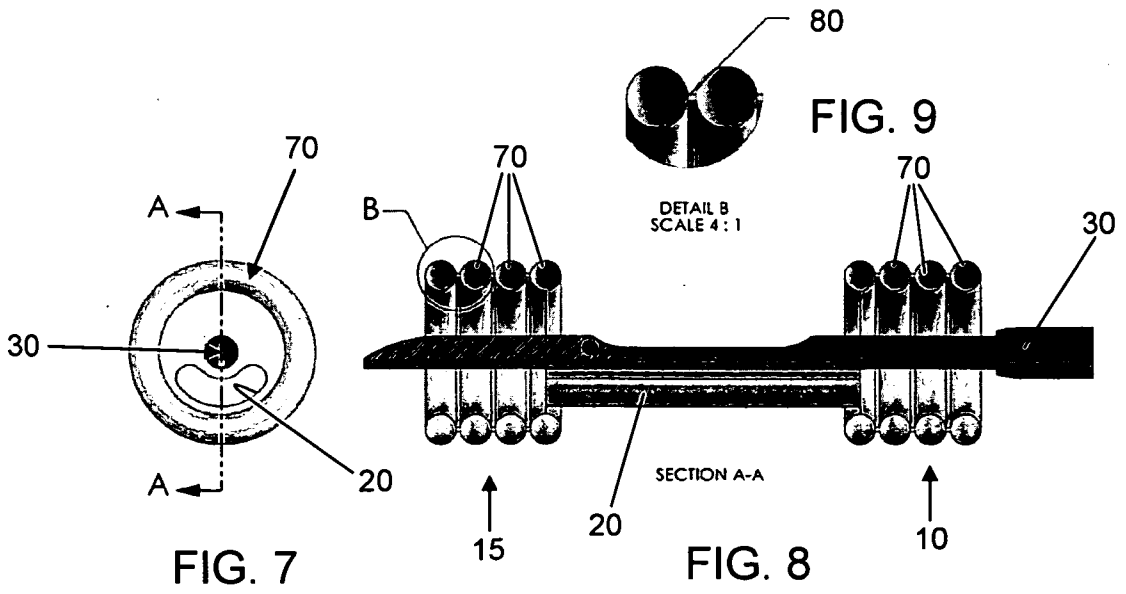


FIG. 7

FIG. 8

FIG. 9

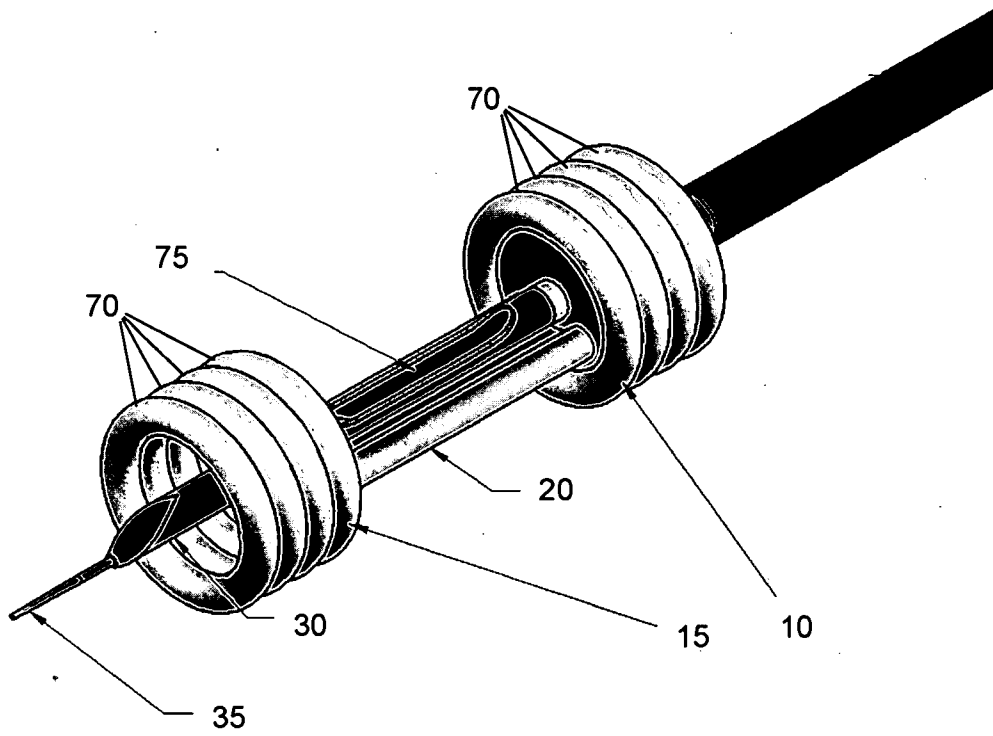


FIG. 10

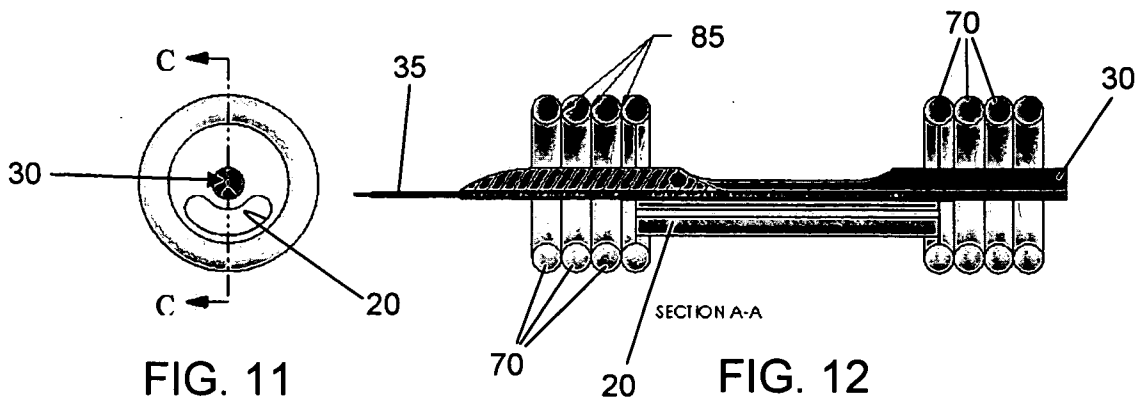


FIG. 11

FIG. 12

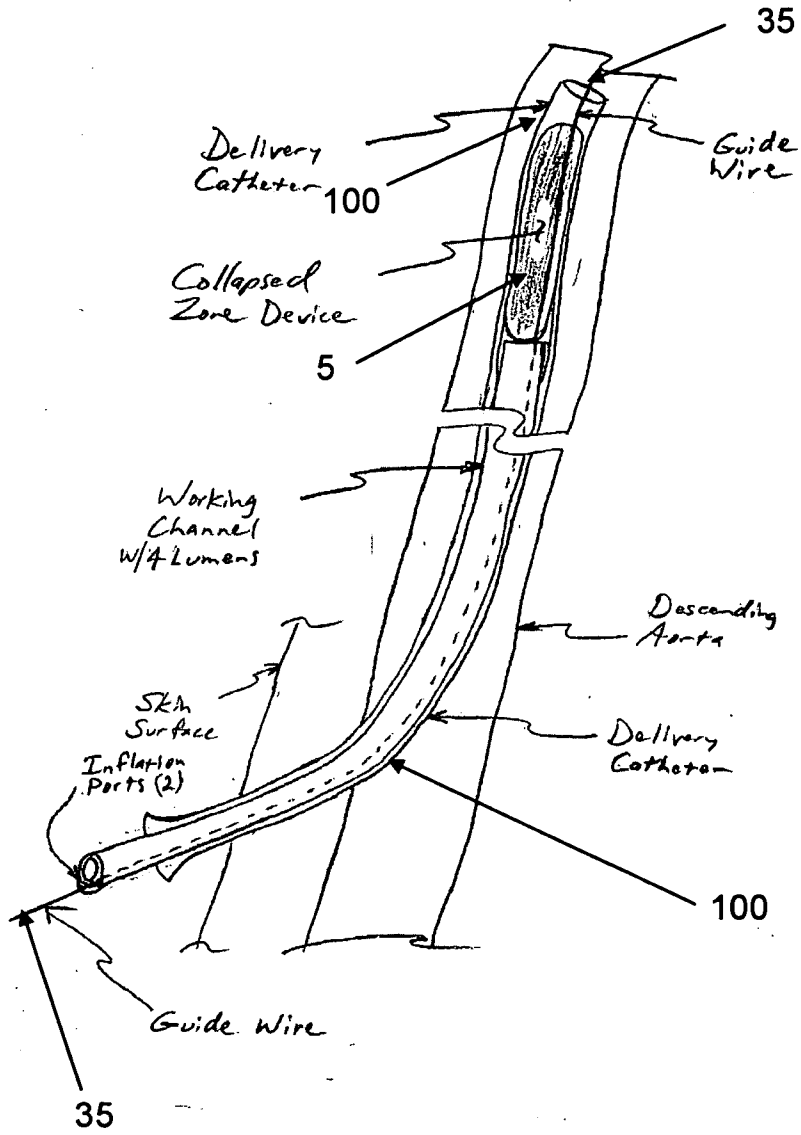


FIG. 13

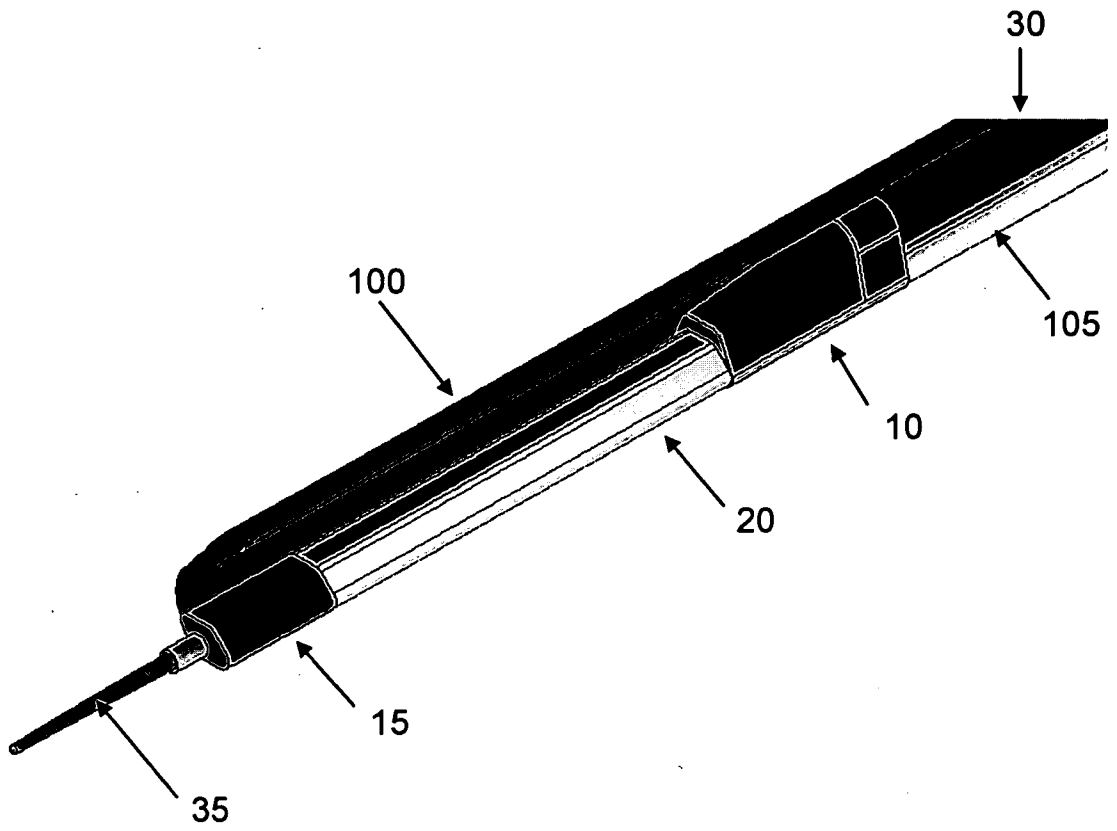


FIG. 14

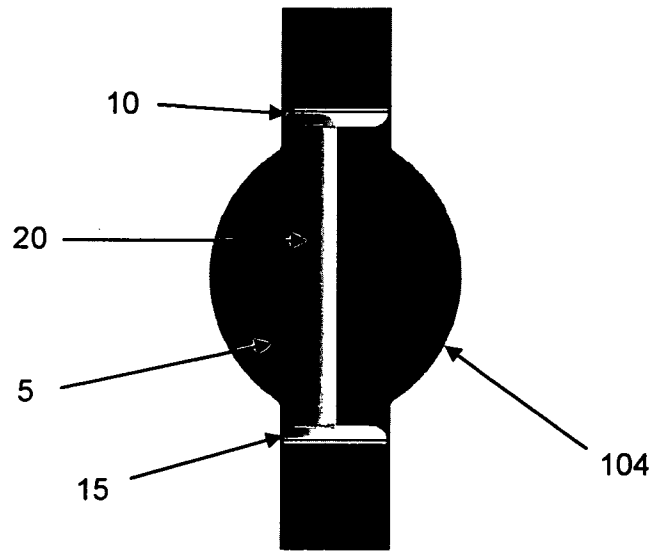


FIG. 14A

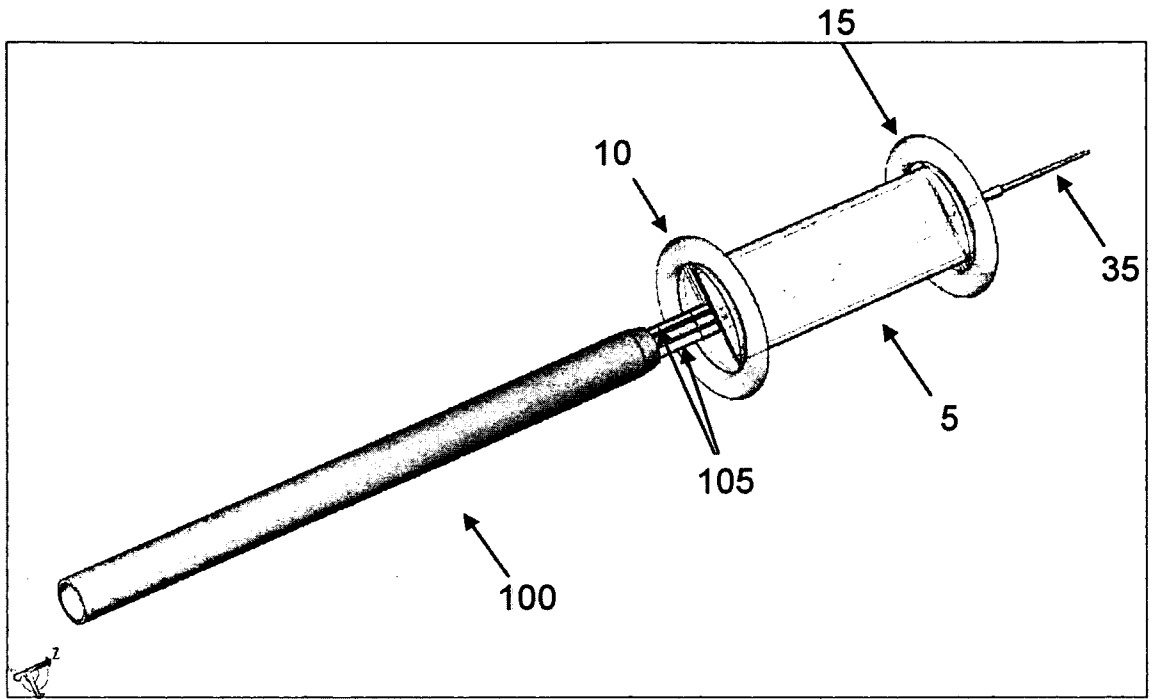


FIG. 15

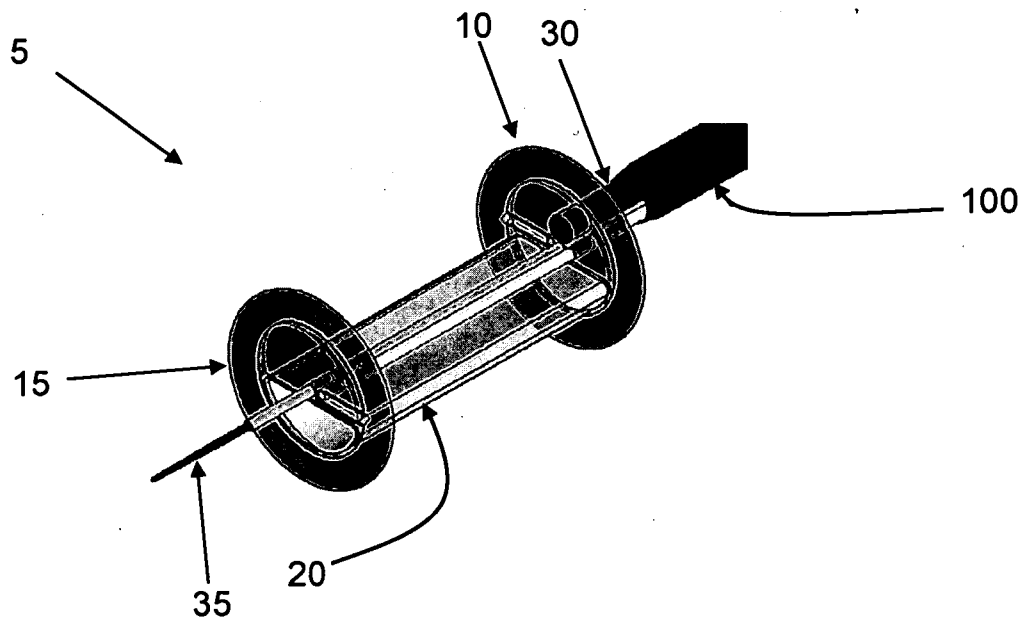


FIG. 16

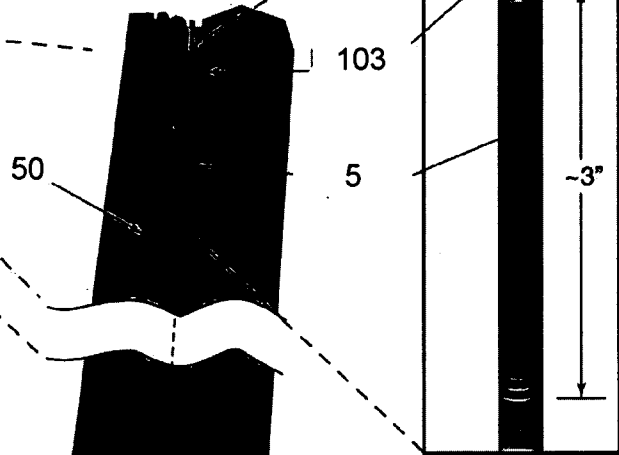
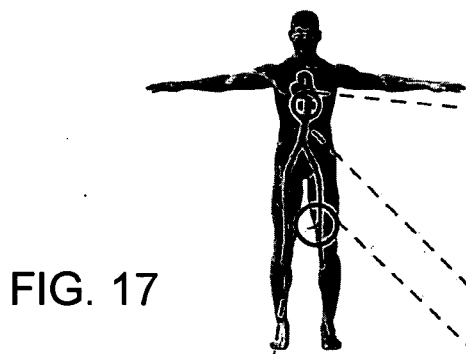


FIG. 20

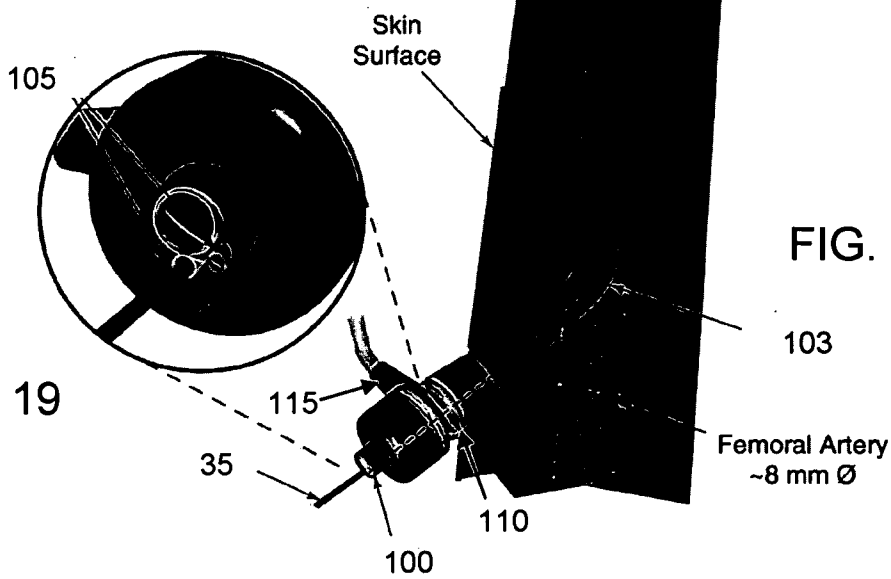
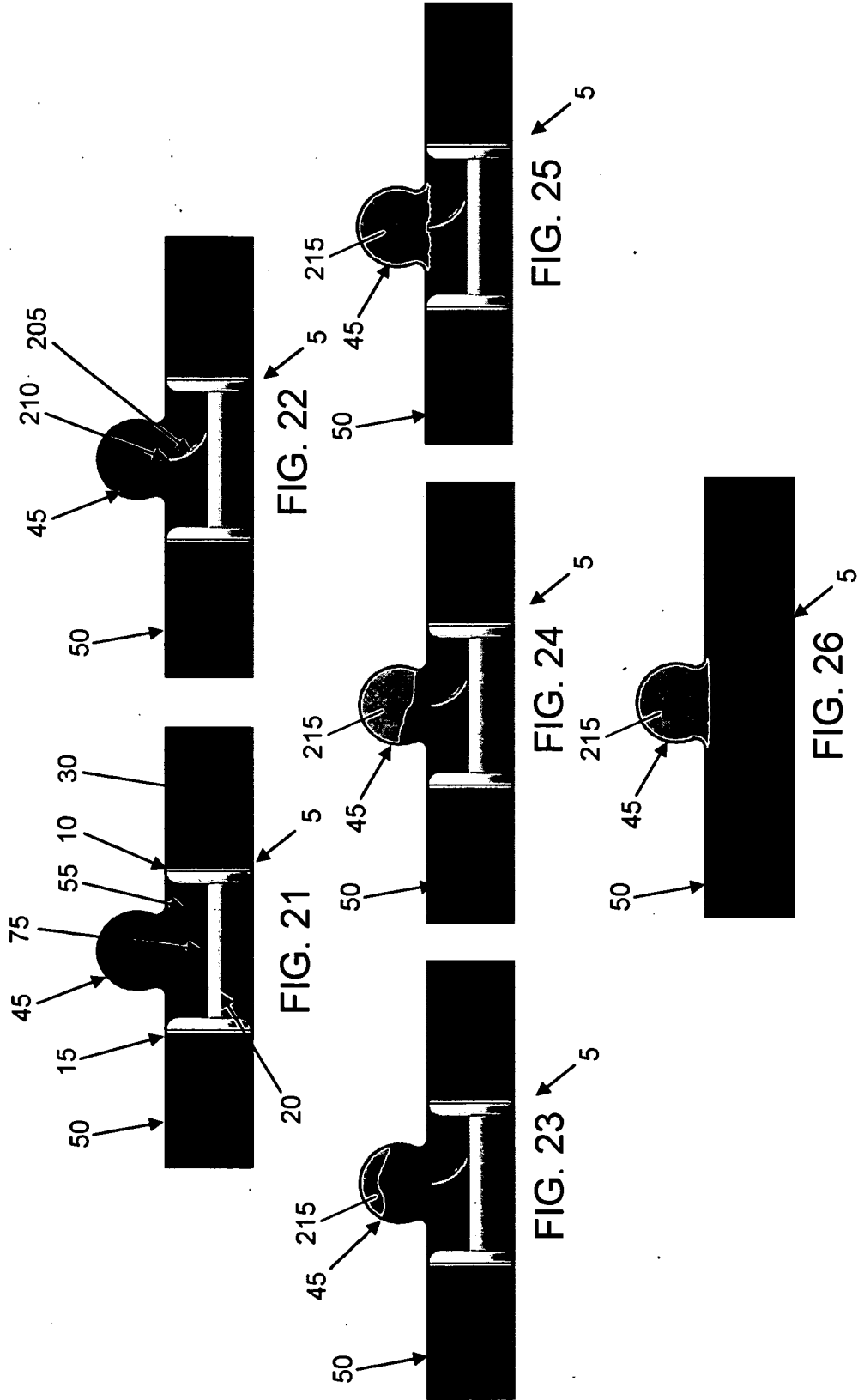
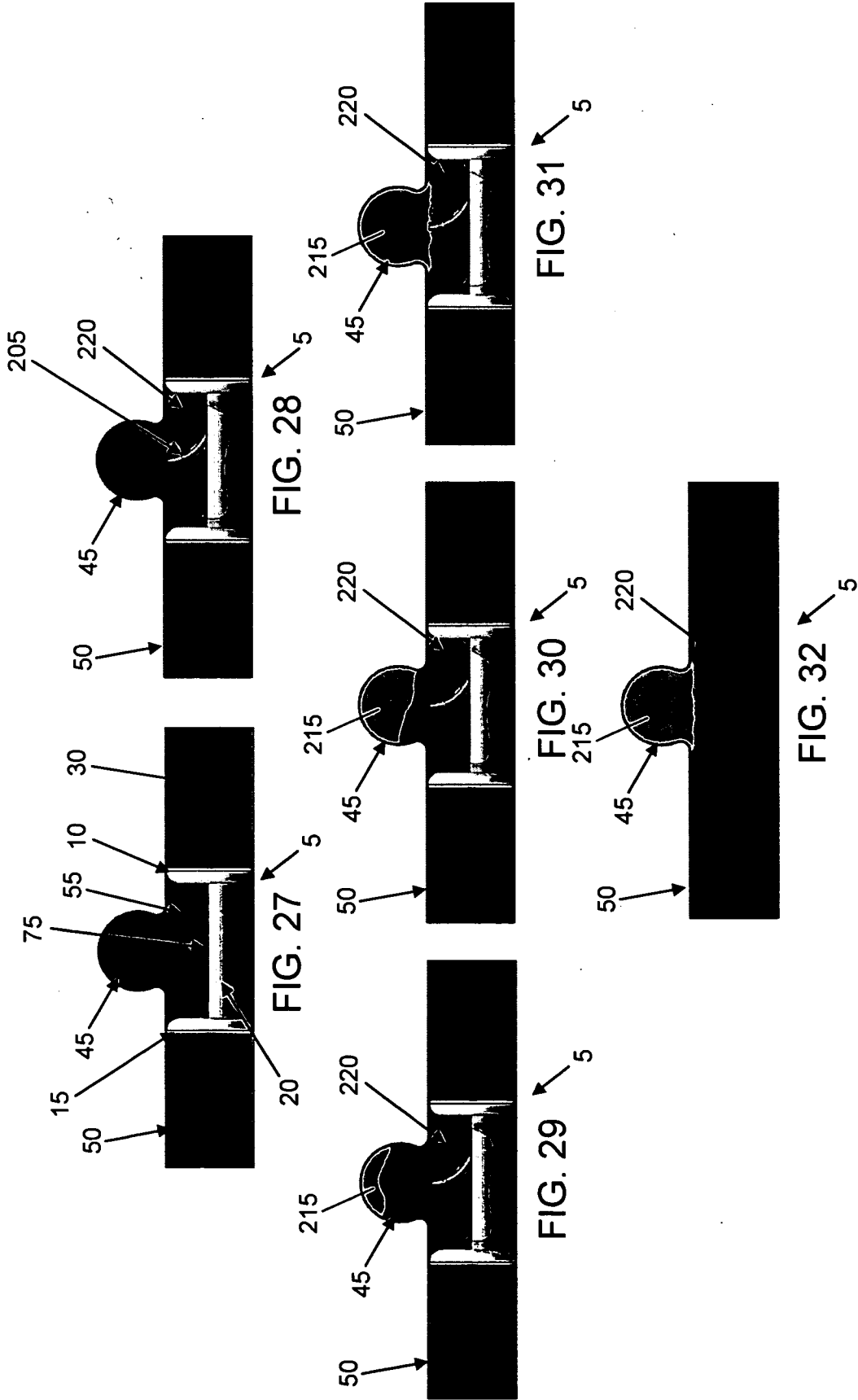
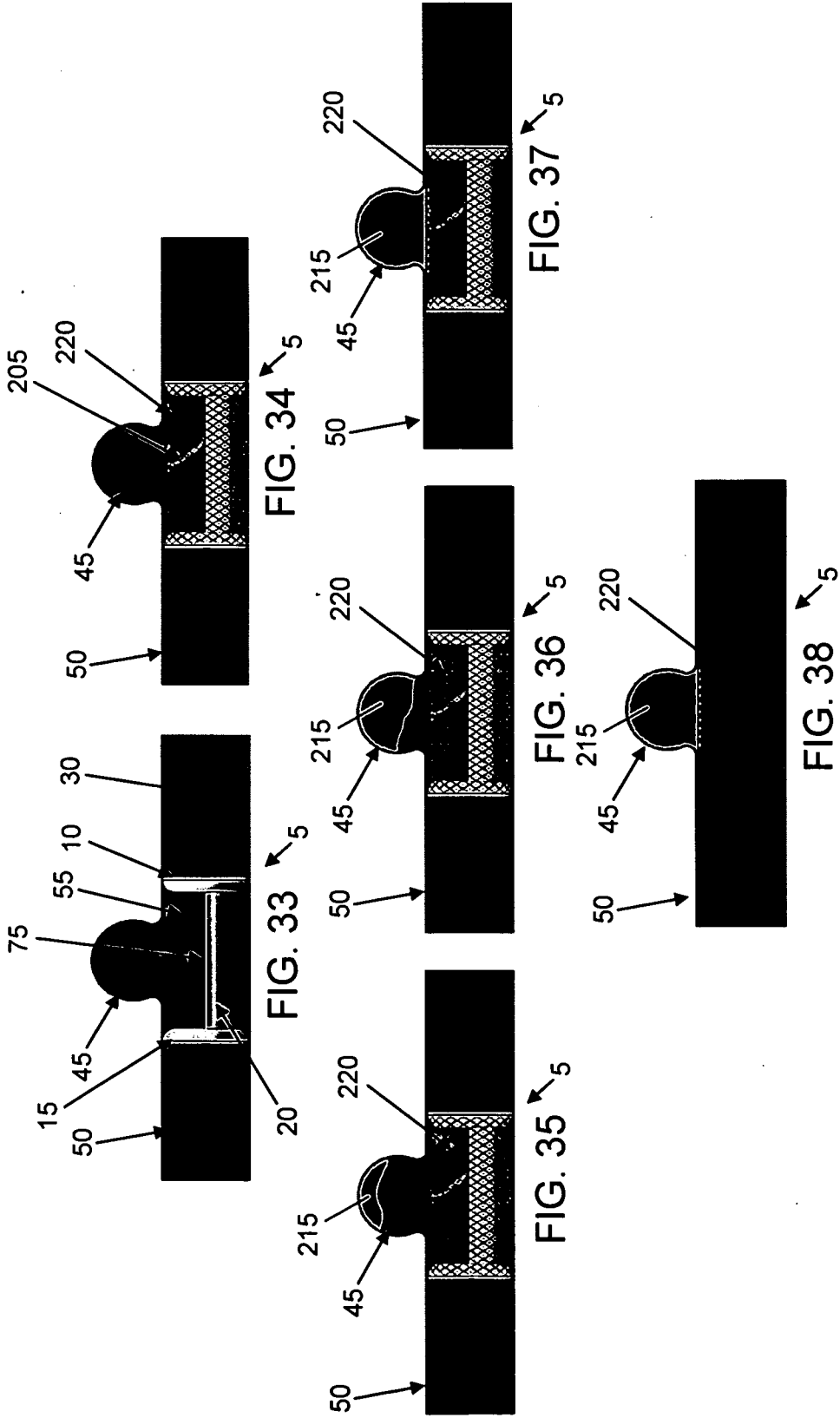


FIG. 18

FIG. 19







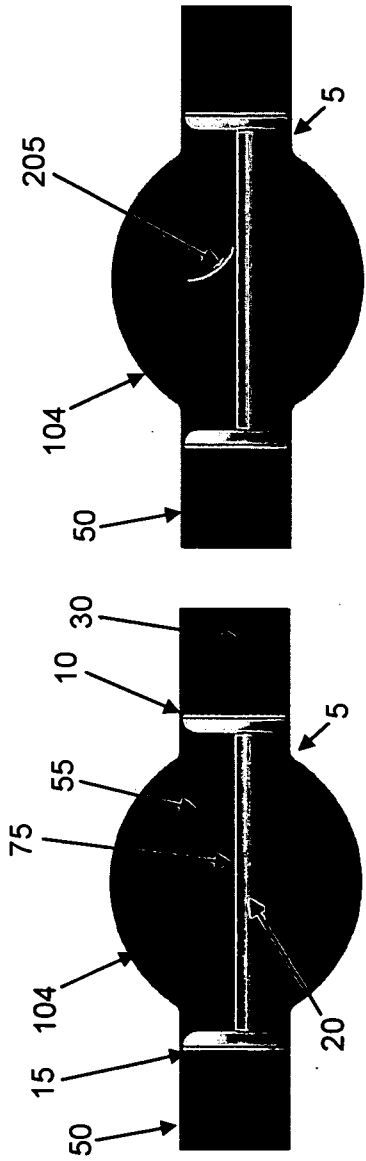


FIG. 39

FIG. 40

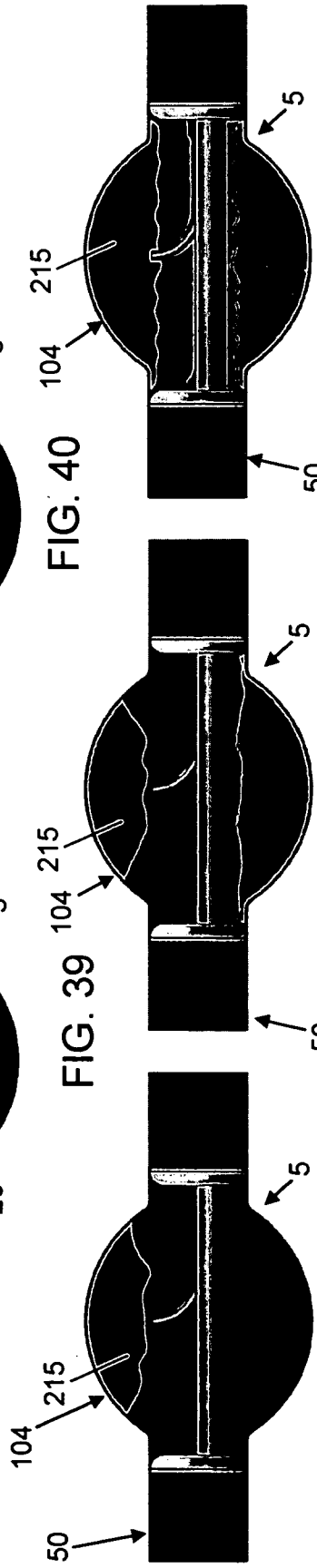


FIG. 41

FIG. 42

FIG. 43

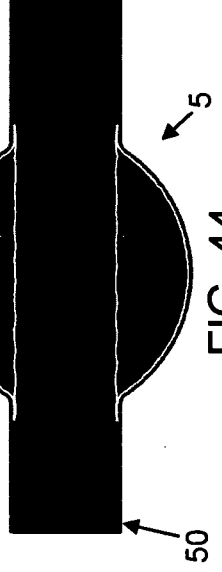
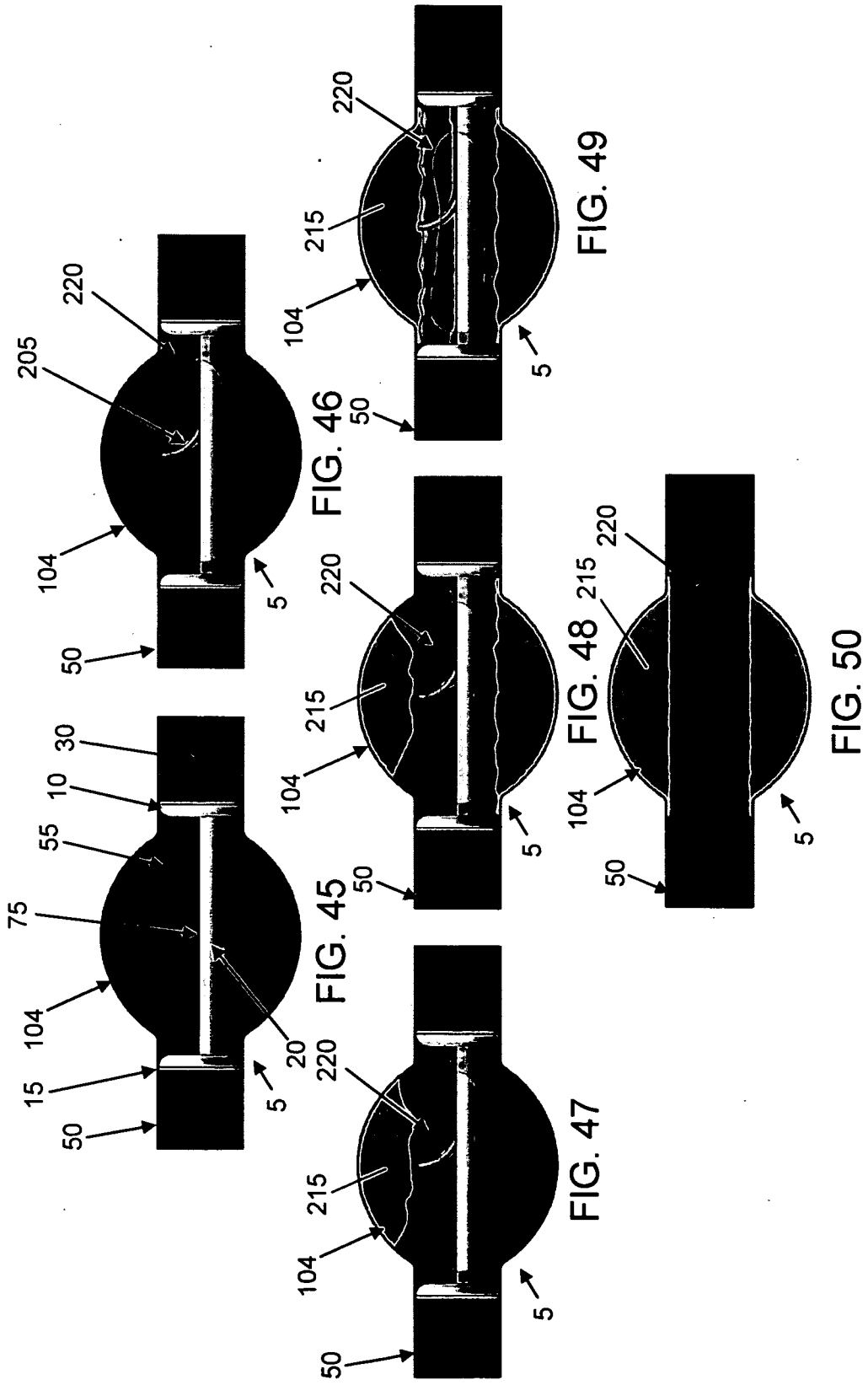
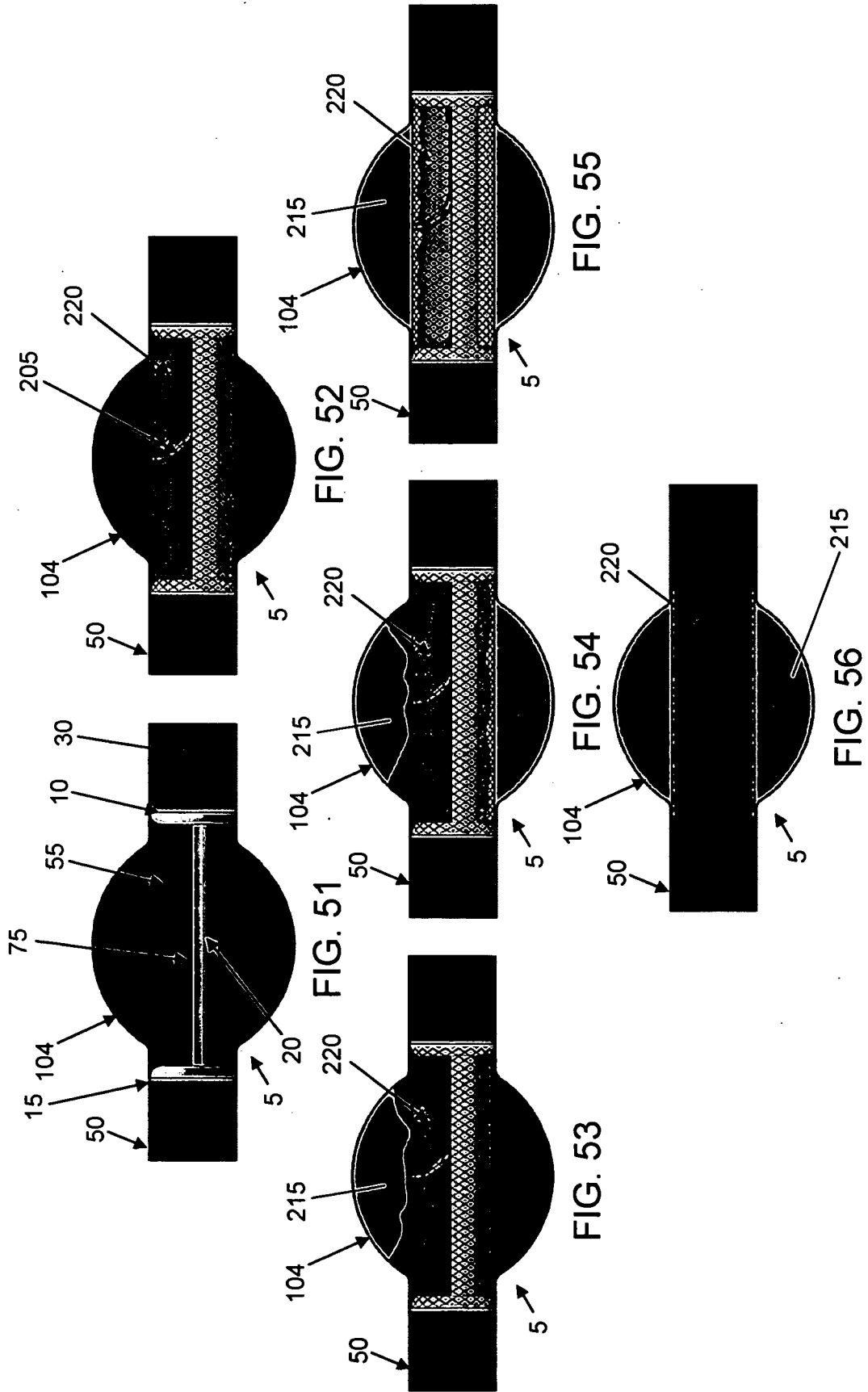


FIG. 44





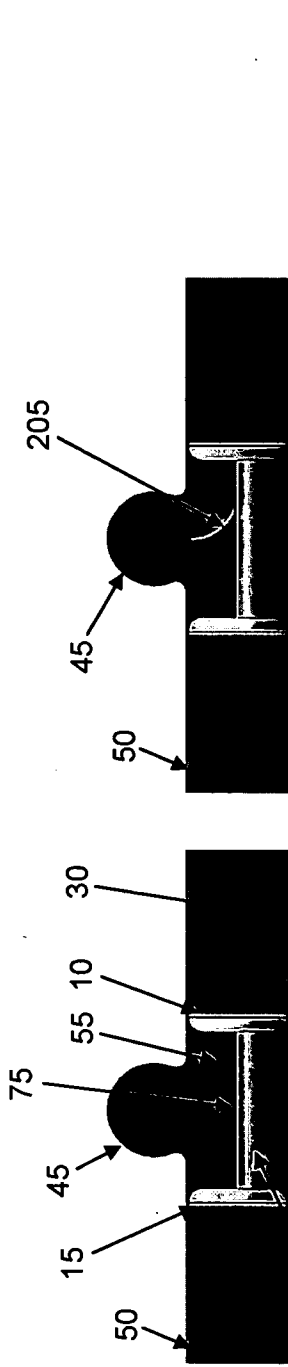


FIG. 57

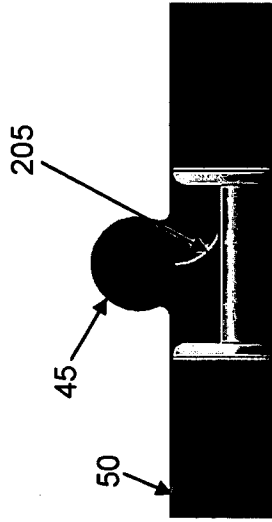


FIG. 58

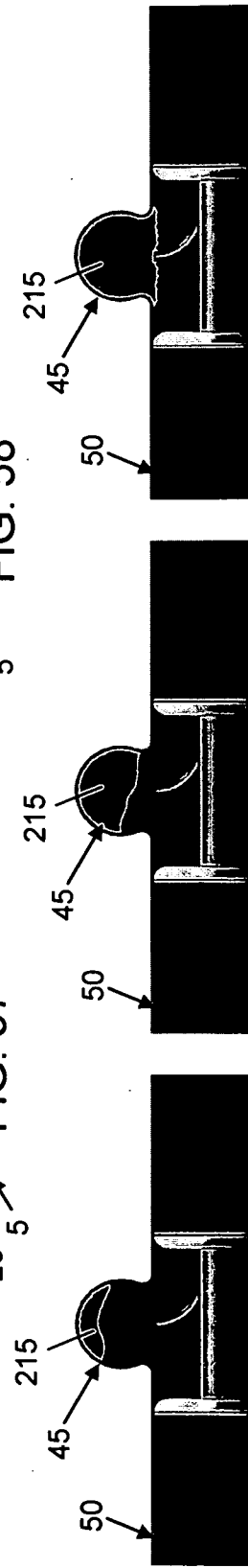


FIG. 59

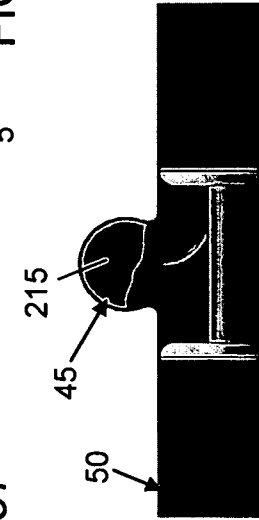


FIG. 60

FIG. 61

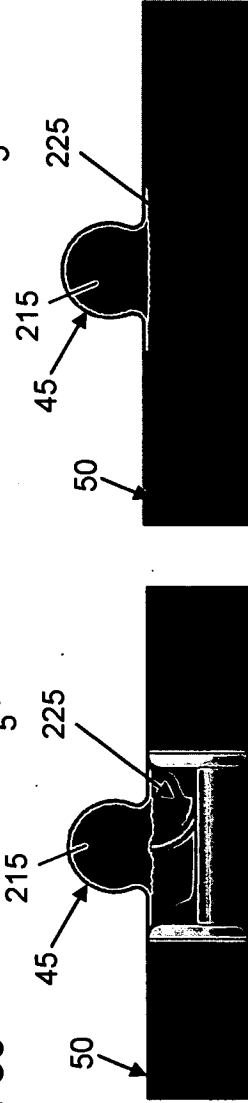


FIG. 62

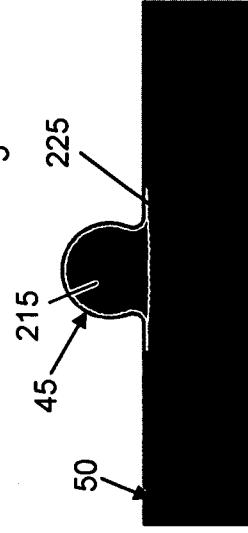


FIG. 63

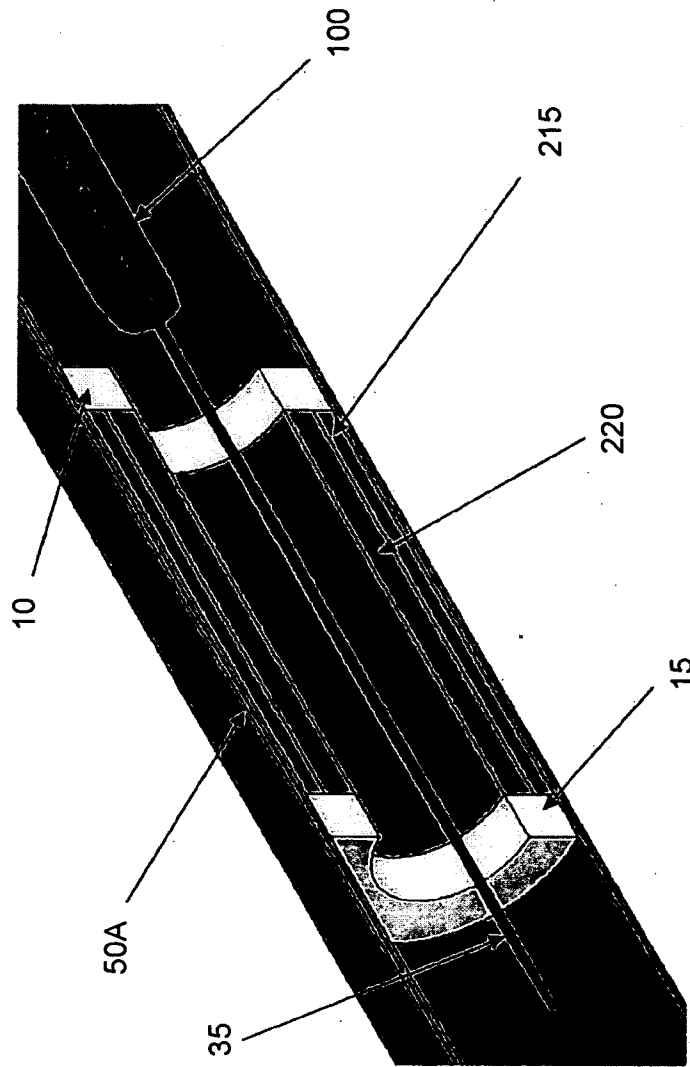


FIG. 64

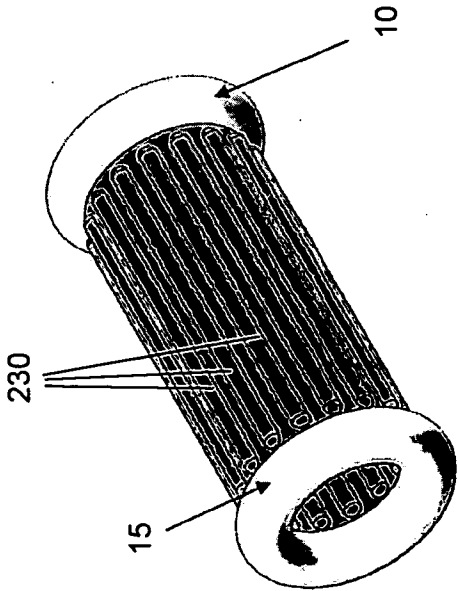


FIG. 65

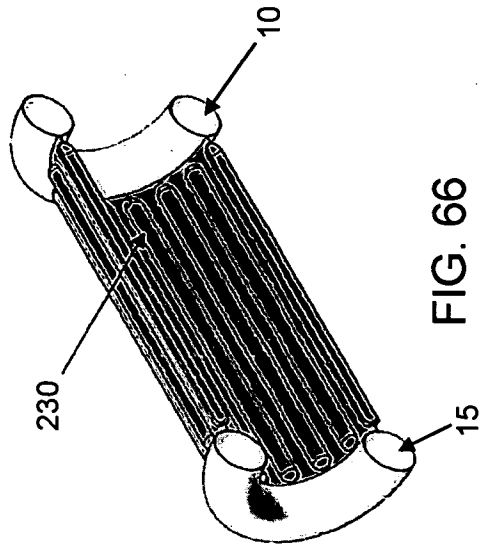


FIG. 66

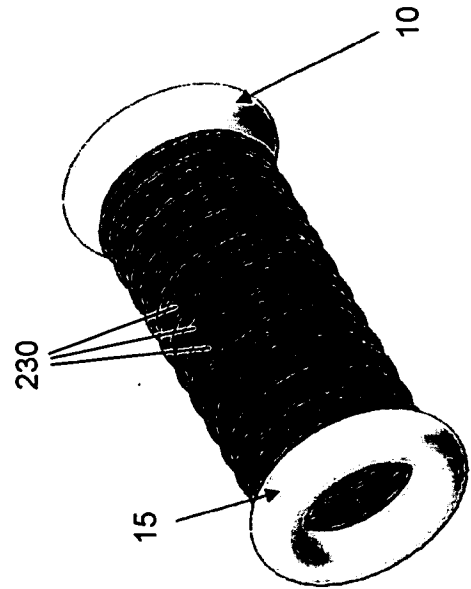


FIG. 67

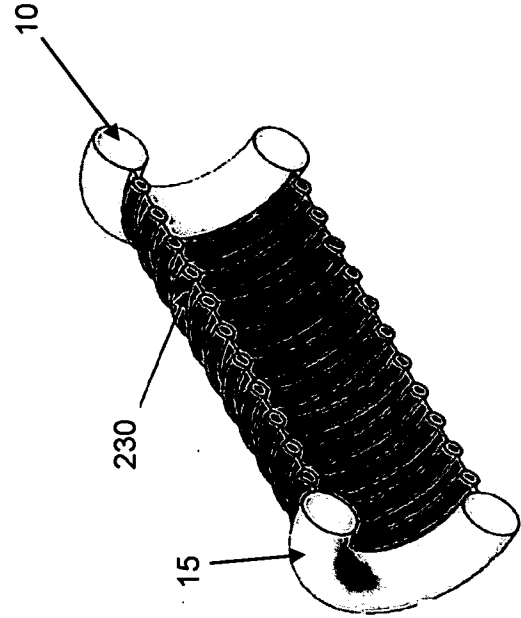


FIG. 68

INTERNATIONAL SEARCH REPORT

International application No.
PCT/US2009/046929

<p>A. CLASSIFICATION OF SUBJECT MATTER IPC(8) - A61F 2/06 (2009.01) USPC - 604/101.01 According to International Patent Classification (IPC) or to both national classification and IPC</p>																																																		
<p>B. FIELDS SEARCHED</p> <p>Minimum documentation searched (classification system followed by classification symbols) IPC(8) - A61F 2/06; A61M 25/10, 29/00; A61B 17/12; A61L 24/00 (2009.01) USPC - 606/192,194,198,200; 623/916,1.18,1.11,1.21,1.25,1.1,903; 604/500,101.01; 128/898</p> <p>Documentation searched other than minimum documentation to the extent that such documents are included in the fields searched</p> <p>Electronic data base consulted during the international search (name of data base and, where practicable, search terms used) USPTO EAST System (US, USPG-PUB, EPO, DERWENT)</p>																																																		
<p>C. DOCUMENTS CONSIDERED TO BE RELEVANT</p> <table border="1"> <thead> <tr> <th>Category*</th> <th>Citation of document, with indication, where appropriate, of the relevant passages</th> <th>Relevant to claim No.</th> </tr> </thead> <tbody> <tr> <td>X - Y</td> <td>US 5,776,097 A (MASSOUD) 07 July 1998 (07.07.1998) entire document</td> <td>1-7, 54, 55 ----- 8-53, 56-69</td> </tr> <tr> <td>Y</td> <td>US 2004/0215124 A1 (YAMASAKI et al) 28 October 2004 (28.10.2004) entire document</td> <td>8</td> </tr> <tr> <td>Y</td> <td>US 5,843,156 A (SLEPIAN et al) 01 December 1998 (01.12.1998) entire document</td> <td>9, 10</td> </tr> <tr> <td>Y</td> <td>US 5,728,068 A (LEONE et al) 17 March 1998 (17.03.1998) entire document</td> <td>11-37, 58-61</td> </tr> <tr> <td>Y</td> <td>US 6,936,057 B1 (NOBLES) 30 August 2005 (30.08.2005) entire document</td> <td>17, 21, 23, 27</td> </tr> <tr> <td>Y</td> <td>US 2008/0045996 A1 (MAKOWER et al) 21 February 2008 (21.02.2008) entire document</td> <td>20, 21, 26, 27</td> </tr> <tr> <td>Y</td> <td>US 5,405,322 A (LENNOX et al) 11 April 1995 (11.04.1995) entire document</td> <td>31-33</td> </tr> <tr> <td>Y</td> <td>US 2008/0033341 A1 (GRAD) 07 February 2008 (07.02.2008) entire document</td> <td>35</td> </tr> <tr> <td>Y</td> <td>US 6,299,597 B1 (BUSCEMI et al) 09 October 2001 (09.10.2001) entire document</td> <td>38-44, 56</td> </tr> <tr> <td>Y</td> <td>US 2005/0186242 A1 (HUNTER et al) 25 August 2005 (25.08.2005) entire document</td> <td>45, 57</td> </tr> <tr> <td>Y</td> <td>US 2003/0135264 A1 (WHALEN II et al) 17 July 2003 (17.07.2003) entire document</td> <td>46-53, 63-69</td> </tr> </tbody> </table> <p><input type="checkbox"/> Further documents are listed in the continuation of Box C. <input type="checkbox"/></p> <table border="1"> <tr> <td>* Special categories of cited documents:</td> <td>"T" later document published after the international filing date or priority date and not in conflict with the application but cited to understand the principle or theory underlying the invention</td> </tr> <tr> <td>"A" document defining the general state of the art which is not considered to be of particular relevance</td> <td>"X" document of particular relevance; the claimed invention cannot be considered novel or cannot be considered to involve an inventive step when the document is taken alone</td> </tr> <tr> <td>"E" earlier application or patent but published on or after the international filing date</td> <td>"Y" document of particular relevance; the claimed invention cannot be considered to involve an inventive step when the document is combined with one or more other such documents, such combination being obvious to a person skilled in the art</td> </tr> <tr> <td>"L" document which may throw doubts on priority claim(s) or which is cited to establish the publication date of another citation or other special reason (as specified)</td> <td>"&" document member of the same patent family</td> </tr> <tr> <td>"O" document referring to an oral disclosure, use, exhibition or other means</td> <td></td> </tr> <tr> <td>"P" document published prior to the international filing date but later than the priority date claimed</td> <td></td> </tr> </table>			Category*	Citation of document, with indication, where appropriate, of the relevant passages	Relevant to claim No.	X - Y	US 5,776,097 A (MASSOUD) 07 July 1998 (07.07.1998) entire document	1-7, 54, 55 ----- 8-53, 56-69	Y	US 2004/0215124 A1 (YAMASAKI et al) 28 October 2004 (28.10.2004) entire document	8	Y	US 5,843,156 A (SLEPIAN et al) 01 December 1998 (01.12.1998) entire document	9, 10	Y	US 5,728,068 A (LEONE et al) 17 March 1998 (17.03.1998) entire document	11-37, 58-61	Y	US 6,936,057 B1 (NOBLES) 30 August 2005 (30.08.2005) entire document	17, 21, 23, 27	Y	US 2008/0045996 A1 (MAKOWER et al) 21 February 2008 (21.02.2008) entire document	20, 21, 26, 27	Y	US 5,405,322 A (LENNOX et al) 11 April 1995 (11.04.1995) entire document	31-33	Y	US 2008/0033341 A1 (GRAD) 07 February 2008 (07.02.2008) entire document	35	Y	US 6,299,597 B1 (BUSCEMI et al) 09 October 2001 (09.10.2001) entire document	38-44, 56	Y	US 2005/0186242 A1 (HUNTER et al) 25 August 2005 (25.08.2005) entire document	45, 57	Y	US 2003/0135264 A1 (WHALEN II et al) 17 July 2003 (17.07.2003) entire document	46-53, 63-69	* Special categories of cited documents:	"T" later document published after the international filing date or priority date and not in conflict with the application but cited to understand the principle or theory underlying the invention	"A" document defining the general state of the art which is not considered to be of particular relevance	"X" document of particular relevance; the claimed invention cannot be considered novel or cannot be considered to involve an inventive step when the document is taken alone	"E" earlier application or patent but published on or after the international filing date	"Y" document of particular relevance; the claimed invention cannot be considered to involve an inventive step when the document is combined with one or more other such documents, such combination being obvious to a person skilled in the art	"L" document which may throw doubts on priority claim(s) or which is cited to establish the publication date of another citation or other special reason (as specified)	"&" document member of the same patent family	"O" document referring to an oral disclosure, use, exhibition or other means		"P" document published prior to the international filing date but later than the priority date claimed	
Category*	Citation of document, with indication, where appropriate, of the relevant passages	Relevant to claim No.																																																
X - Y	US 5,776,097 A (MASSOUD) 07 July 1998 (07.07.1998) entire document	1-7, 54, 55 ----- 8-53, 56-69																																																
Y	US 2004/0215124 A1 (YAMASAKI et al) 28 October 2004 (28.10.2004) entire document	8																																																
Y	US 5,843,156 A (SLEPIAN et al) 01 December 1998 (01.12.1998) entire document	9, 10																																																
Y	US 5,728,068 A (LEONE et al) 17 March 1998 (17.03.1998) entire document	11-37, 58-61																																																
Y	US 6,936,057 B1 (NOBLES) 30 August 2005 (30.08.2005) entire document	17, 21, 23, 27																																																
Y	US 2008/0045996 A1 (MAKOWER et al) 21 February 2008 (21.02.2008) entire document	20, 21, 26, 27																																																
Y	US 5,405,322 A (LENNOX et al) 11 April 1995 (11.04.1995) entire document	31-33																																																
Y	US 2008/0033341 A1 (GRAD) 07 February 2008 (07.02.2008) entire document	35																																																
Y	US 6,299,597 B1 (BUSCEMI et al) 09 October 2001 (09.10.2001) entire document	38-44, 56																																																
Y	US 2005/0186242 A1 (HUNTER et al) 25 August 2005 (25.08.2005) entire document	45, 57																																																
Y	US 2003/0135264 A1 (WHALEN II et al) 17 July 2003 (17.07.2003) entire document	46-53, 63-69																																																
* Special categories of cited documents:	"T" later document published after the international filing date or priority date and not in conflict with the application but cited to understand the principle or theory underlying the invention																																																	
"A" document defining the general state of the art which is not considered to be of particular relevance	"X" document of particular relevance; the claimed invention cannot be considered novel or cannot be considered to involve an inventive step when the document is taken alone																																																	
"E" earlier application or patent but published on or after the international filing date	"Y" document of particular relevance; the claimed invention cannot be considered to involve an inventive step when the document is combined with one or more other such documents, such combination being obvious to a person skilled in the art																																																	
"L" document which may throw doubts on priority claim(s) or which is cited to establish the publication date of another citation or other special reason (as specified)	"&" document member of the same patent family																																																	
"O" document referring to an oral disclosure, use, exhibition or other means																																																		
"P" document published prior to the international filing date but later than the priority date claimed																																																		
<p>Date of the actual completion of the international search</p> <p>04 November 2009</p>	<p>Date of mailing of the international search report</p> <p>10 NOV 2009</p>																																																	
<p>Name and mailing address of the ISA/US</p> <p>Mail Stop PCT, Attn: ISA/US, Commissioner for Patents P.O. Box 1450, Alexandria, Virginia 22313-1450 Facsimile No. 571-273-3201</p>	<p>Authorized officer:</p> <p>Blaine R. Copenheaver</p> <p>PCT Helpdesk: 571-272-4300 PCT OSP: 571-272-7774</p>																																																	