



US00D730113S

(12) **United States Design Patent**
Barberi

(10) **Patent No.:** **US D730,113 S**

(45) **Date of Patent:** **** May 26, 2015**

- (54) **ELONGATED SIDE HANDLE FOR COOKWARE**
- (71) Applicant: **Meyer Intellectual Properties Limited, Kowloon (CN)**
- (72) Inventor: **Philip D. Barberi, San Ramon, CA (US)**
- (73) Assignee: **Meyer Intellectual Properties Limited (VG)**

(**) Term: **14 Years**

(21) Appl. No.: **29/497,929**

(22) Filed: **Jul. 30, 2014**

(51) **LOC (10) Cl.** **07-02**

(52) **U.S. Cl.**
USPC **D7/395**

(58) **Field of Classification Search**
USPC D7/354-361, 393-395, 401.2, 664;
D8/107, 300, 321; D4/138, 129;
16/421, 430, 431, 110.1, 407;
220/573.1-573.5, 752, 753, 755, 756,
220/759, 767, 771, 912

See application file for complete search history.

(56) **References Cited**

U.S. PATENT DOCUMENTS

- D440,463 S * 4/2001 Groll D7/395
- D482,567 S * 11/2003 Demers D7/395

- D560,427 S * 1/2008 Prakasa D7/395
- D580,703 S * 11/2008 Devries D7/393
- D644,486 S * 9/2011 Groll D7/395
- D682,022 S * 5/2013 Rae D7/395
- D704,505 S * 5/2014 Clabots D7/395
- D705,003 S * 5/2014 Rae et al. D7/395
- D711,685 S * 8/2014 Delassus D7/395
- D714,585 S * 10/2014 Genatossio D7/395

* cited by examiner

Primary Examiner — Cynthia M Chin

(74) *Attorney, Agent, or Firm* — Miller Canfield

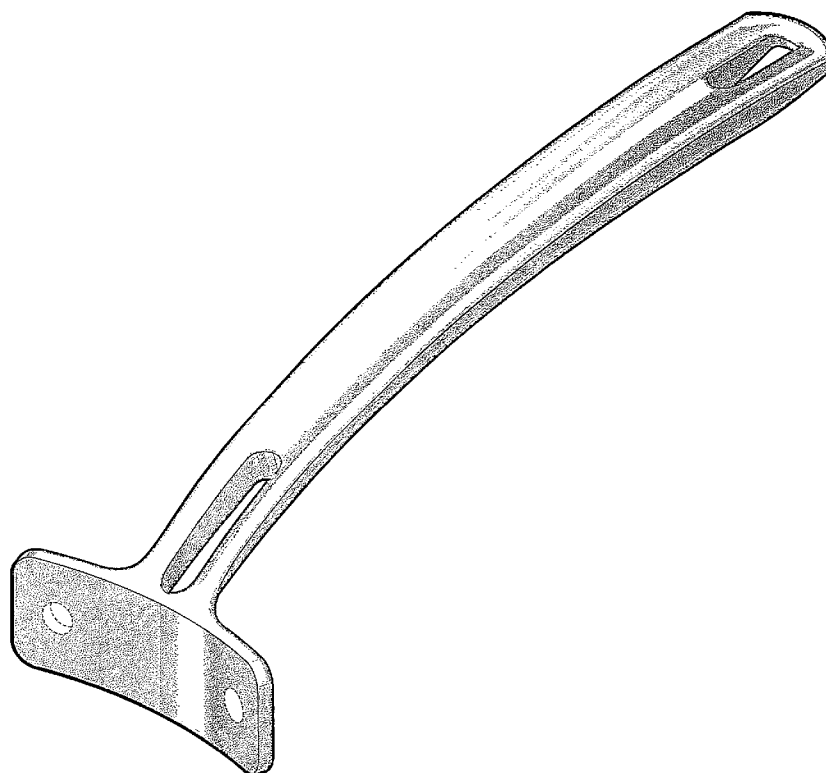
(57) **CLAIM**

The ornamental design for an elongated side handle for cookware, as shown and described.

DESCRIPTION

FIG. 1 is a perspective view of the elongated side handle for cookware showing my new design;
 FIG. 2 is a right side elevation view thereof; the left side elevation view being the mirror image thereof;
 FIG. 3 is a top plan view thereof;
 FIG. 4 is a bottom plan view thereof;
 FIG. 5 is a front elevation view thereof; and,
 FIG. 6 is a rear elevation view thereof.
 The broken lines in FIGS. 1, 2, 5 and 6 are for illustrative purposes only, depicting the environment of the new design, forming no part thereof as claimed.

1 Claim, 3 Drawing Sheets



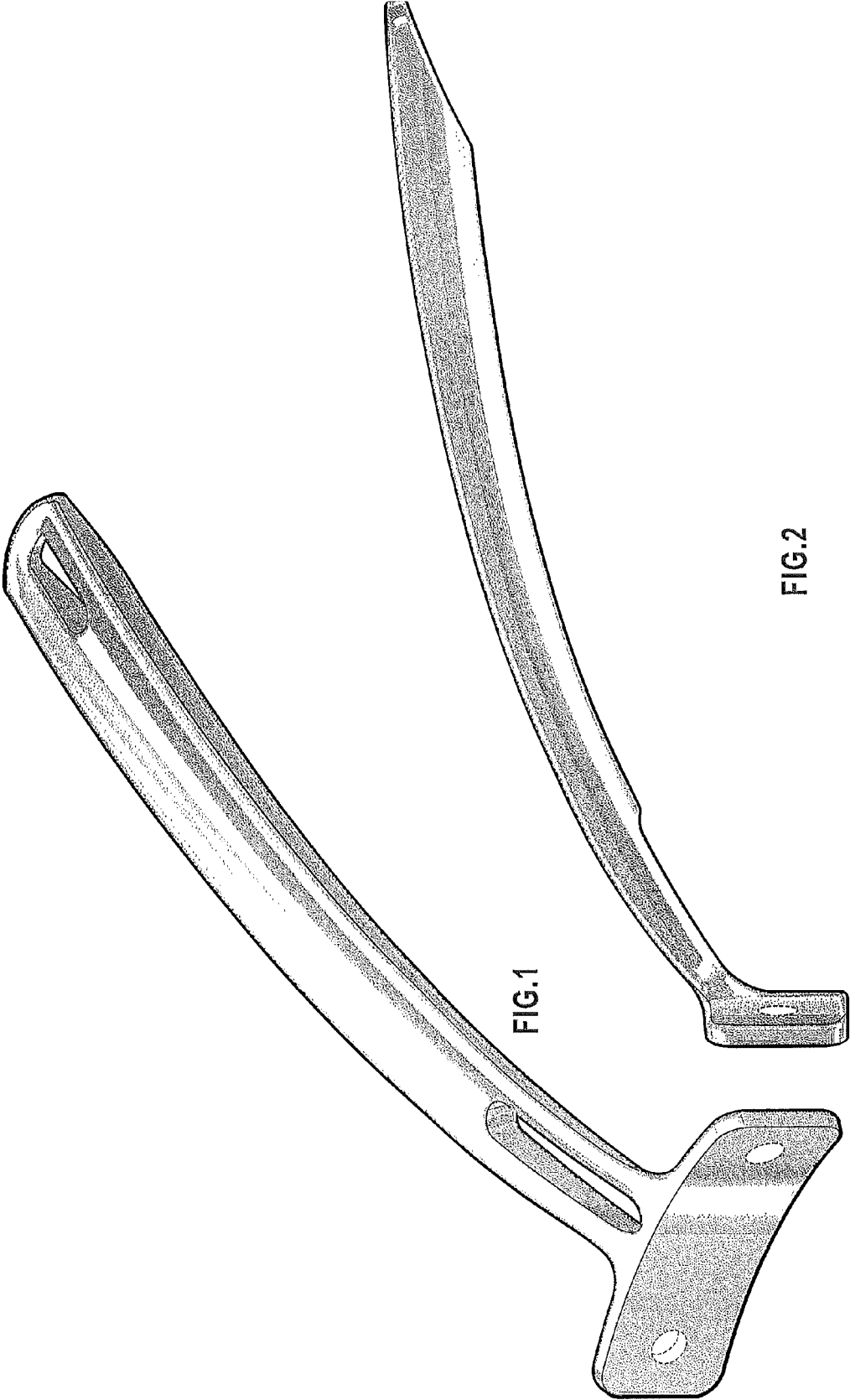


FIG.1

FIG.2

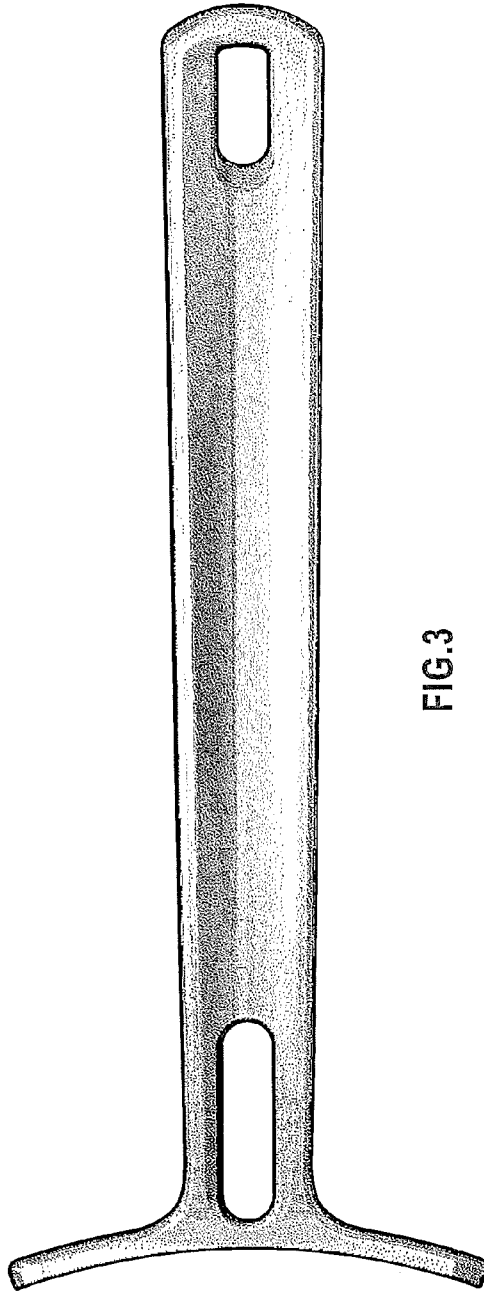


FIG.3

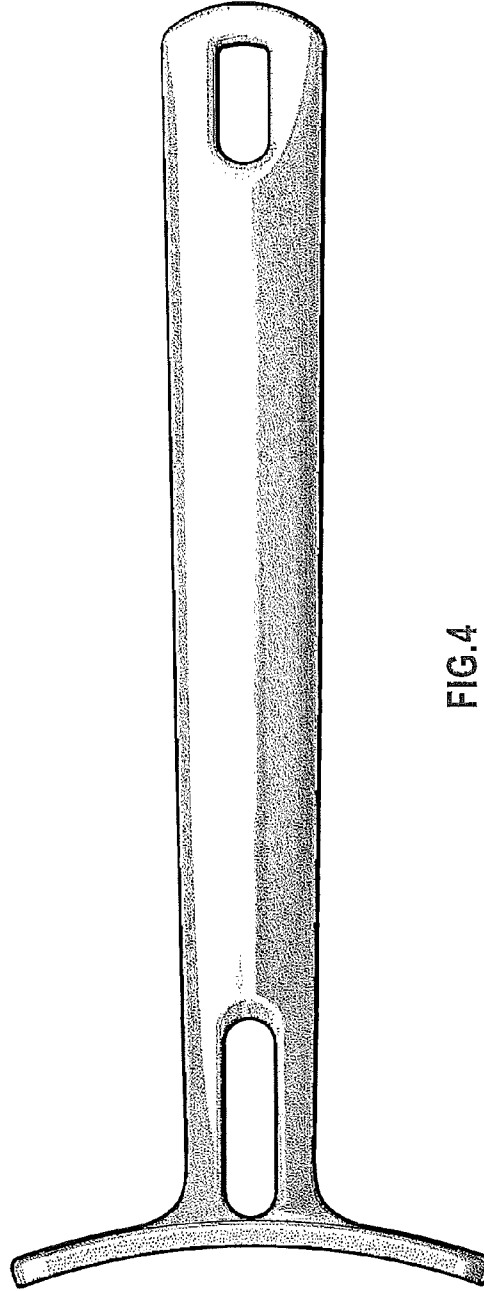


FIG.4

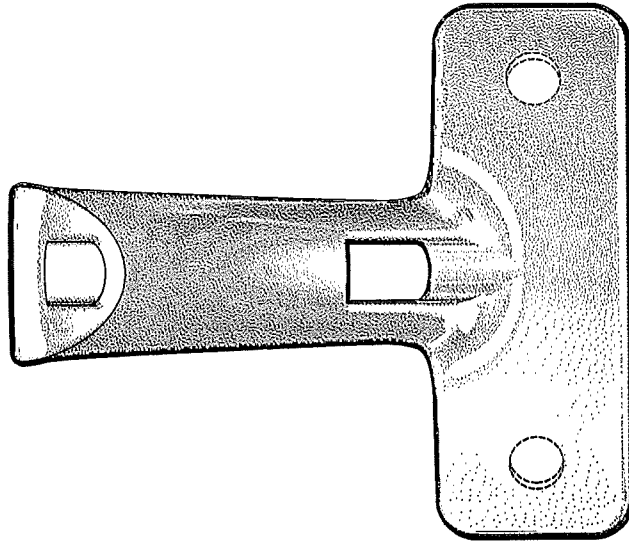


FIG. 6

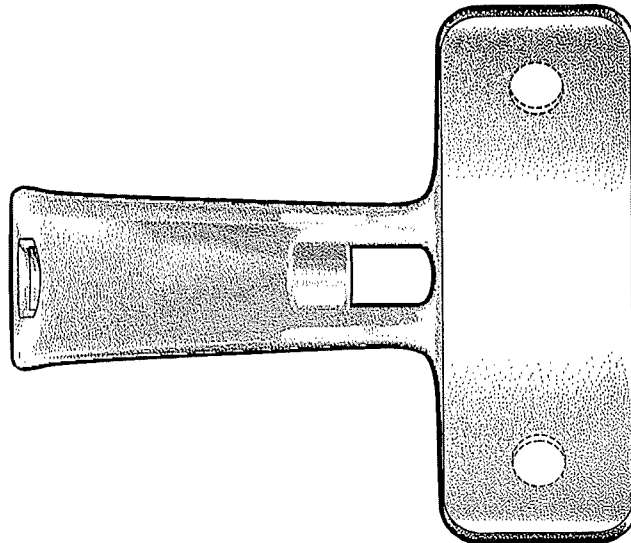


FIG. 5