



(51) International Patent Classification:

C02F 1/00 (2023.01) C02F 1/44 (2023.01)
A47J 31/00 (2006.01) C02F 1/68 (2023.01)
A47J 31/60 (2006.01) B01F 21/20 (2022.01)
B01F 21/00 (2022.01) A47J 31/44 (2006.01)
B01F 33/501 (2022.01)

(21) International Application Number:

PCT/NL2024/050292

(22) International Filing Date:

05 June 2024 (05.06.2024)

(25) Filing Language:

English

(26) Publication Language:

English

(30) Priority Data:

2035003 05 June 2023 (05.06.2023) NL
2035002 05 June 2023 (05.06.2023) NL

(71) Applicant: VESTAL HOLDINGS B.V. [NL/NL]; Catharina van Clevepark 34, 1181 AT Amstelveen (NL).

(72) Inventor: WADMAN, Alexis Adrian Felipe; c/o Catharina van Clevepark 34, 1181 AT Amstelveen (NL).

(74) Agent: WITMANS, H.A.; V.O., P.O. Box 87930, 2508 DH Den Haag (NL).

(81) Designated States (unless otherwise indicated, for every kind of national protection available):

AE, AG, AL, AM, AO, AT, AU, AZ, BA, BB, BG, BH, BN, BR, BW, BY, BZ, CA, CH, CL, CN, CO, CR, CU, CV, CZ, DE, DJ, DK, DM, DO, DZ, EC, EE, EG, ES, FI, GB, GD, GE, GH, GM, GT, HN, HR, HU, ID, IL, IN, IQ, IR, IS, IT, JM, JO, JP, KE, KG, KH, KN, KP, KR, KW, KZ, LA, LC, LK, LR, LS, LU, LY, MA, MD, MG, MK, MN, MU, MW, MX, MY, MZ, NA, NG, NI, NO, NZ, OM, PA, PE, PG, PH, PL, PT, QA, RO, RS, RU, RW, SA, SC, SD, SE, SG, SK, SL, ST, SV, SY, TH, TJ, TM, TN, TR, TZ, UA, UG, US, UZ, VC, VN, WS, ZA, ZM, ZW.

(84) Designated States (unless otherwise indicated, for every kind of regional protection available):

ARIPO (BW, CV, GH, GM, KE, LR, LS, MW, MZ, NA, RW, SC, SD, SL, ST, SZ, TZ, UG, ZM, ZW), Eurasian (AM, AZ, BY, KG, KZ, RU, TJ, TM), European (AL, AT, BE, BG, CH, CY, CZ, DE, DK, EE, ES, FI, FR, GB, GR, HR, HU, IE, IS, IT, LT, LU, LV, MC, ME, MK, MT, NL, NO, PL, PT, RO, RS, SE, SI, SK, SM, TR), OAPI (BF, BJ, CF, CG, CI, CM, GA, GN, GQ, GW, KM, ML, MR, NE, SN, TD, TG).

(54) Title: REGULATOR FOR PROVIDING AN ADDITIVE TO A BEVERAGE AND DRINKING CONTAINER

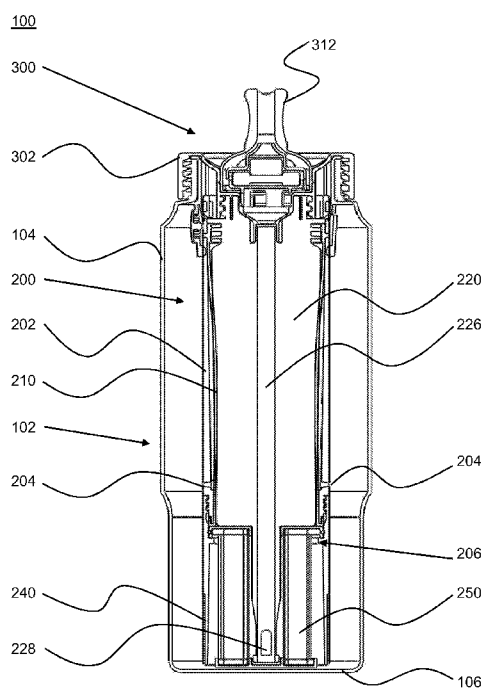


Fig. 1

(57) Abstract: A regulator is provided for providing at least one additive to a beverage. The regulator comprises a regulator inlet for receiving the beverage, a regulator outlet for providing the beverage with the additive and an additive chamber having a chamber inlet and a chamber outlet, the additive chamber being arranged to receive the additive. In the regulator, a first flow path is provided through the regulator, from the regulator inlet to the regulator outlet, which flow path is arranged to enable a flow of a liquid and the flow path ranging from the regulator inlet to the chamber inlet and from the chamber outlet to the regulator outlet. By enabling a flow of the beverage along the additive that may be provided in the additive chamber, additive is added to the beverage. The adding may take place by means of a solid piece of additive being soluble in the beverage



WO 2024/253525 A3

Published:

- *with international search report (Art. 21(3))*
- *before the expiration of the time limit for amending the claims and to be republished in the event of receipt of amendments (Rule 48.2(h))*

(88) Date of publication of the international search report:

06 February 2025 (06.02.2025)

INTERNATIONAL SEARCH REPORT

International application No
PCT/NL2024/050292

A. CLASSIFICATION OF SUBJECT MATTER
 INV. C02F1/00 A47J31/00 A47J31/60 B01F21/00 B01F33/501
 C02F1/44 C02F1/68 B01F21/20
 ADD. A47J31/44
 According to International Patent Classification (IPC) or to both national classification and IPC

B. FIELDS SEARCHED
 Minimum documentation searched (classification system followed by classification symbols)
C02F A47J B01F

Documentation searched other than minimum documentation to the extent that such documents are included in the fields searched

Electronic data base consulted during the international search (name of data base and, where practicable, search terms used)
EPO-Internal

C. DOCUMENTS CONSIDERED TO BE RELEVANT

Category*	Citation of document, with indication, where appropriate, of the relevant passages	Relevant to claim No.
X	EP 3 220 783 B1 (CIRKUL INC [US]) 28 August 2019 (2019-08-28) paragraphs [0019] - [0022]; figures 11, 12 -----	1-12, 15-18, 20-27
X	US 6 569 329 B1 (NOHREN JR JOHN E [US]) 27 May 2003 (2003-05-27) column 10, line 49 - column 11, line 12; figure 8 -----	1,2,7, 9-28
X	WO 00/09448 A1 (INNOVA PURE WATER INC [US]) 24 February 2000 (2000-02-24) page 4, line 28 - page 5, line 13; figures 1, 3 page 5, lines 31-34 page 6, lines 10-16 ----- -/-	1,7, 9-12, 20-27

Further documents are listed in the continuation of Box C. See patent family annex.

* Special categories of cited documents :

"A" document defining the general state of the art which is not considered to be of particular relevance	"T" later document published after the international filing date or priority date and not in conflict with the application but cited to understand the principle or theory underlying the invention
"E" earlier application or patent but published on or after the international filing date	"X" document of particular relevance; the claimed invention cannot be considered novel or cannot be considered to involve an inventive step when the document is taken alone
"L" document which may throw doubts on priority claim(s) or which is cited to establish the publication date of another citation or other special reason (as specified)	"Y" document of particular relevance; the claimed invention cannot be considered to involve an inventive step when the document is combined with one or more other such documents, such combination being obvious to a person skilled in the art
"O" document referring to an oral disclosure, use, exhibition or other means	"&" document member of the same patent family
"P" document published prior to the international filing date but later than the priority date claimed	

Date of the actual completion of the international search 6 December 2024	Date of mailing of the international search report 09/01/2025
---	---

Name and mailing address of the ISA/ European Patent Office, P.B. 5818 Patentlaan 2 NL - 2280 HV Rijswijk Tel. (+31-70) 340-2040, Fax: (+31-70) 340-3016	Authorized officer Wolf, Gundula
--	--

INTERNATIONAL SEARCH REPORT

International application No
PCT/NL2024/050292

C(Continuation). DOCUMENTS CONSIDERED TO BE RELEVANT		
Category*	Citation of document, with indication, where appropriate, of the relevant passages	Relevant to claim No.
A	US 2012/261283 A1 (ANSON RICKY L [US] ET AL) 18 October 2012 (2012-10-18) figures 4, 7 -----	1-28
X	US 11 219 298 B2 (AQUA FIX USA INC [US]) 11 January 2022 (2022-01-11) column 12, line 20 - column 15, line 36; figure 9 -----	29-49
A	US 6 136 188 A (RAJAN PASUPATHICOLL R SOUNDAR [US] ET AL) 24 October 2000 (2000-10-24) the whole document -----	29-49
A	US 9 764 965 B1 (NOHREN JR JOHN E [US]) 19 September 2017 (2017-09-19) the whole document -----	29-49
A	US 9 724 629 B2 (LANE MARVIN [US]; THERMOS LLC [US]) 8 August 2017 (2017-08-08) the whole document -----	29-49

INTERNATIONAL SEARCH REPORT

International application No.
PCT/NL2024/050292

Box No. II Observations where certain claims were found unsearchable (Continuation of item 2 of first sheet)

This international search report has not been established in respect of certain claims under Article 17(2)(a) for the following reasons:

1. Claims Nos.:
because they relate to subject matter not required to be searched by this Authority, namely:

2. Claims Nos.:
because they relate to parts of the international application that do not comply with the prescribed requirements to such an extent that no meaningful international search can be carried out, specifically:

3. Claims Nos.:
because they are dependent claims and are not drafted in accordance with the second and third sentences of Rule 6.4(a).

Box No. III Observations where unity of invention is lacking (Continuation of item 3 of first sheet)

This International Searching Authority found multiple inventions in this international application, as follows:

see additional sheet

1. As all required additional search fees were timely paid by the applicant, this international search report covers all searchable claims.
2. As all searchable claims could be searched without effort justifying an additional fees, this Authority did not invite payment of additional fees.
3. As only some of the required additional search fees were timely paid by the applicant, this international search report covers only those claims for which fees were paid, specifically claims Nos.:

4. No required additional search fees were timely paid by the applicant. Consequently, this international search report is restricted to the invention first mentioned in the claims;; it is covered by claims Nos.:

Remark on Protest

- The additional search fees were accompanied by the applicant's protest and, where applicable, the payment of a protest fee.
- The additional search fees were accompanied by the applicant's protest but the applicable protest fee was not paid within the time limit specified in the invitation.
- No protest accompanied the payment of additional search fees.

FURTHER INFORMATION CONTINUED FROM PCT/ISA/ 210

This International Searching Authority found multiple (groups of) inventions in this international application, as follows:

1. claims: 1-28

Regulator for adding an additive to a drink

2. claims: 29-49

Drink container

INTERNATIONAL SEARCH REPORT

Information on patent family members

International application No PCT/NL2024/050292

Patent document cited in search report	Publication date	Patent family member(s)	Publication date	
EP 3220783	B1	28-08-2019	AU 2015349694 A1	01-06-2017
			AU 2020217420 A1	03-09-2020
			AU 2022235549 A1	13-10-2022
			CA 2968546 A1	26-05-2016
			CN 107205565 A	26-09-2017
			DK 3220783 T3	07-10-2019
			EP 3220783 A1	27-09-2017
			ES 2748334 T3	16-03-2020
			JP 6730298 B2	29-07-2020
			JP 7179800 B2	29-11-2022
			JP 7482974 B2	14-05-2024
			JP 2018503571 A	08-02-2018
			JP 2020182859 A	12-11-2020
			JP 2023027079 A	01-03-2023
			JP 2024112814 A	21-08-2024
			PL 3220783 T3	31-01-2020
			US 2016150914 A1	02-06-2016
			US 2017232406 A1	17-08-2017
			US 2020156020 A1	21-05-2020
			WO 2016081925 A1	26-05-2016

US 6569329	B1	27-05-2003	AU 4704800 A	21-11-2000
			US 6569329 B1	27-05-2003
			WO 0068151 A2	16-11-2000

WO 0009448	A1	24-02-2000	AU 5001499 A	06-03-2000
			CA 2339990 A1	24-02-2000
			EP 1105349 A1	13-06-2001
			KR 20010072486 A	31-07-2001
			TW 469154 B	21-12-2001
			US 6221416 B1	24-04-2001
			WO 0009448 A1	24-02-2000

US 2012261283	A1	18-10-2012	CA 2731471 A1	28-01-2010
			EP 2315706 A2	04-05-2011
			JP 2011528647 A	24-11-2011
			US 2010012193 A1	21-01-2010
			US 2012261283 A1	18-10-2012
			US 2014124393 A1	08-05-2014
			WO 2010011616 A2	28-01-2010

US 11219298	B2	11-01-2022	NONE	

US 6136188	A	24-10-2000	NONE	

US 9764965	B1	19-09-2017	US 9764965 B1	19-09-2017
			WO 2015030890 A1	05-03-2015

US 9724629	B2	08-08-2017	AU 2014202683 A1	04-12-2014
			CA 2851875 A1	20-11-2014
			CN 104172723 A	03-12-2014
			EP 2805921 A1	26-11-2014
			HK 1200674 A1	14-08-2015
			JP 6226812 B2	08-11-2017
			JP 2015006658 A	15-01-2015
			KR 20140136397 A	28-11-2014
			MX 346484 B	22-03-2017
			PH 12014000146 A1	02-12-2015

INTERNATIONAL SEARCH REPORT

Information on patent family members

International application No

PCT/NL2024/050292

Patent document cited in search report	Publication date	Patent family member(s)	Publication date
		SG 10201402468U A	30-12-2014
		US 2014339177 A1	20-11-2014
		WO 2014189958 A2	27-11-2014
