



US00RE44784E

(19) **United States**  
(12) **Reissued Patent**  
**Huang et al.**

(10) **Patent Number:** **US RE44,784 E**  
(45) **Date of Reissued Patent:** **Mar. 4, 2014**

(54) **DANCE POLE**  
(75) Inventors: **Jian Guo Huang**, Guangdong (CN); **Fox Marshall**, London (GB)  
(73) Assignee: **DDDP, LLC**, Reston, VA (US)  
(21) Appl. No.: **29/400,096**  
(22) Filed: **Aug. 23, 2011**

*Primary Examiner* — Phillip S Hyder  
(74) *Attorney, Agent, or Firm* — The Marbury Law Group, PLLC

(57) **CLAIM**  
The ornamental design of a dance pole, as shown and described.

**Related U.S. Patent Documents**

Reissue of:

(64) Patent No.: **Des. 561,274**  
Issued: **Feb. 5, 2008**  
Appl. No.: **29/223,318**  
Filed: **Feb. 11, 2005**

(30) **Foreign Application Priority Data**

Aug. 12, 2004 (GB) ..... 3018413

(51) **LOC (10) Cl.** ..... **21-02**

(52) **U.S. Cl.**  
USPC ..... **D21/679**

(58) **Field of Classification Search**  
USPC ..... D21/662, 679, 691; D25/126; 482/148,  
482/121, 122, 126, 51  
See application file for complete search history.

(56) **References Cited**

**U.S. PATENT DOCUMENTS**

4,824,302 A \* 4/1989 Schultheis et al. .... 410/151  
5,281,063 A \* 1/1994 Austin, III ..... 410/151  
D407,770 S 4/1999 Thomas  
5,944,464 A \* 8/1999 Cole, Jr. .... 410/153  
5,971,891 A 10/1999 Humphrey  
6,321,823 B1 \* 11/2001 Whittemore ..... 160/368.1  
6,436,019 B1 8/2002 Hollowell  
D471,650 S 3/2003 Dani  
D485,869 S 1/2004 Miletich  
6,689,030 B1 2/2004 Leslie  
6,824,000 B2 \* 11/2004 Samelson ..... 211/105.3  
2004/0220031 A1 11/2004 Blacker  
2007/0293372 A1 \* 12/2007 Kessler ..... 482/51

\* cited by examiner

**DESCRIPTION**

FIG. 1 is a side elevational view of a dance pole showing my new design with the dance pole being shown in a retracted state;  
FIG. 2 is a top plan view thereof;  
FIG. 3 is a bottom plan view thereof;  
FIG. 4 is a perspective view thereof;  
FIG. 5 is a perspective view thereof with the dance pole being shown in an extended state;  
FIG. 6 is a side elevational view of the dance pole shown in an extended state;  
FIG. 7 is an enlarged perspective view of three segments of the dance pole shown as being separated from each other;  
FIG. 8 is an enlarged side view of the segments of the dance pole of FIG. 7;  
FIG. 9 is a top plan view of the segments of the dance pole of FIG. 8;  
FIG. 10 is a bottom plan view of the segments of the dance pole of FIG. 8;  
FIG. 11 is an enlarged perspective view of the segments of the dance pole of FIG. 7 with the top segment being shown in an extended state;  
FIG. 12 is an enlarged side elevational view of the segments of the dance pole of FIG. 7 with the top segment being shown in an extended state; and,  
FIG. 13 is a greatly enlarged fragmentary perspective view of a top portion of the dance pole of FIG. 1.

**1 Claim, 10 Drawing Sheets**

**Matter enclosed in heavy brackets [ ] appears in the original patent but forms no part of this reissue; matter printed in italics indicates the additions made by reissue.**



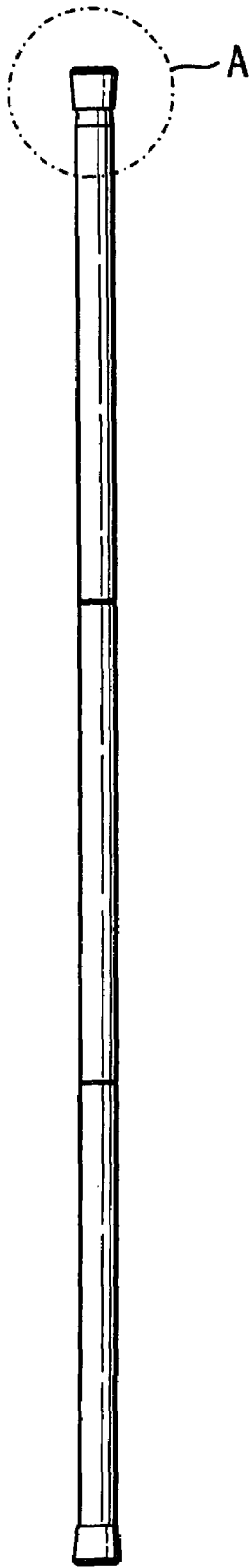


FIG. 1

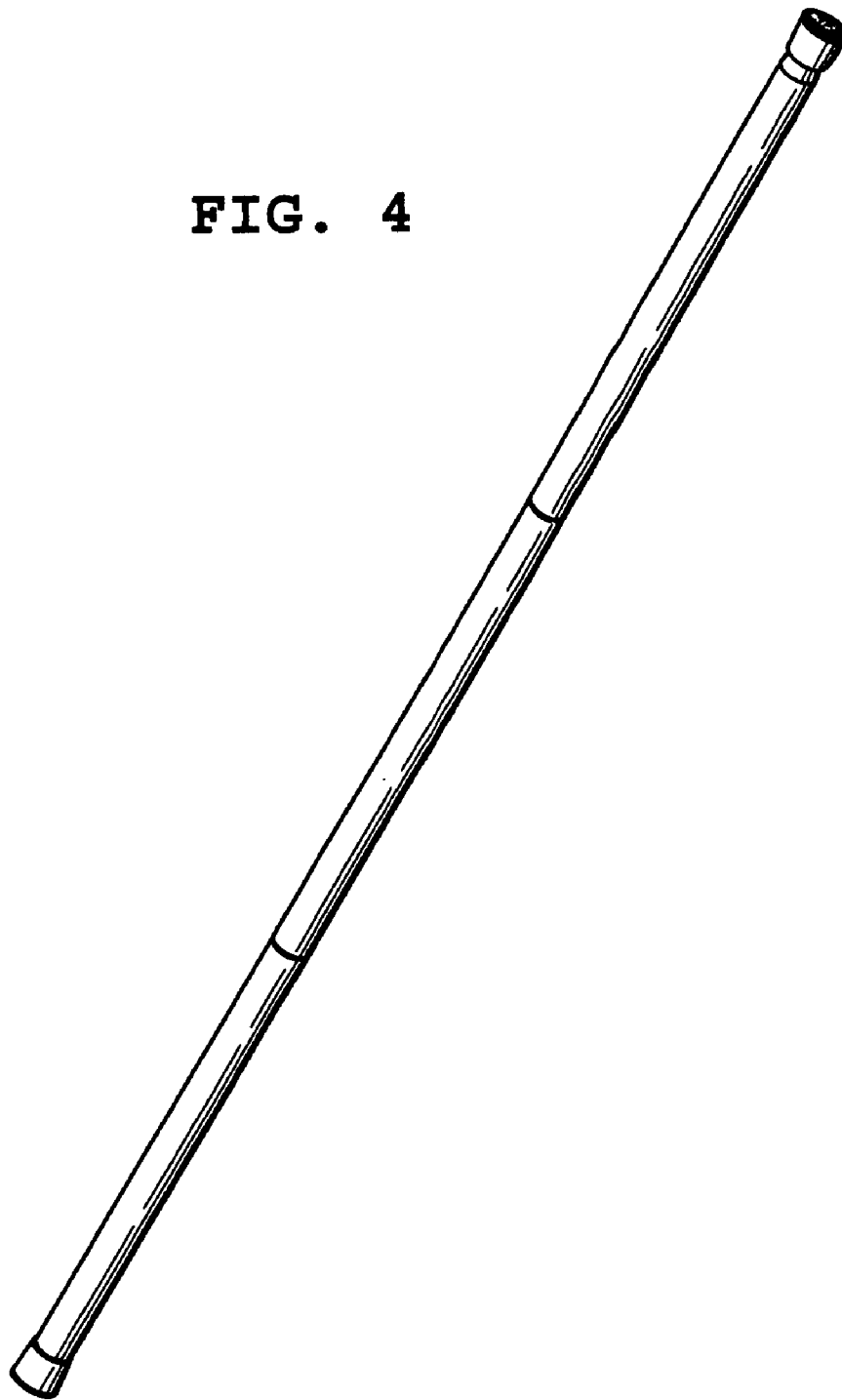


FIG. 2



FIG. 3

**FIG. 4**



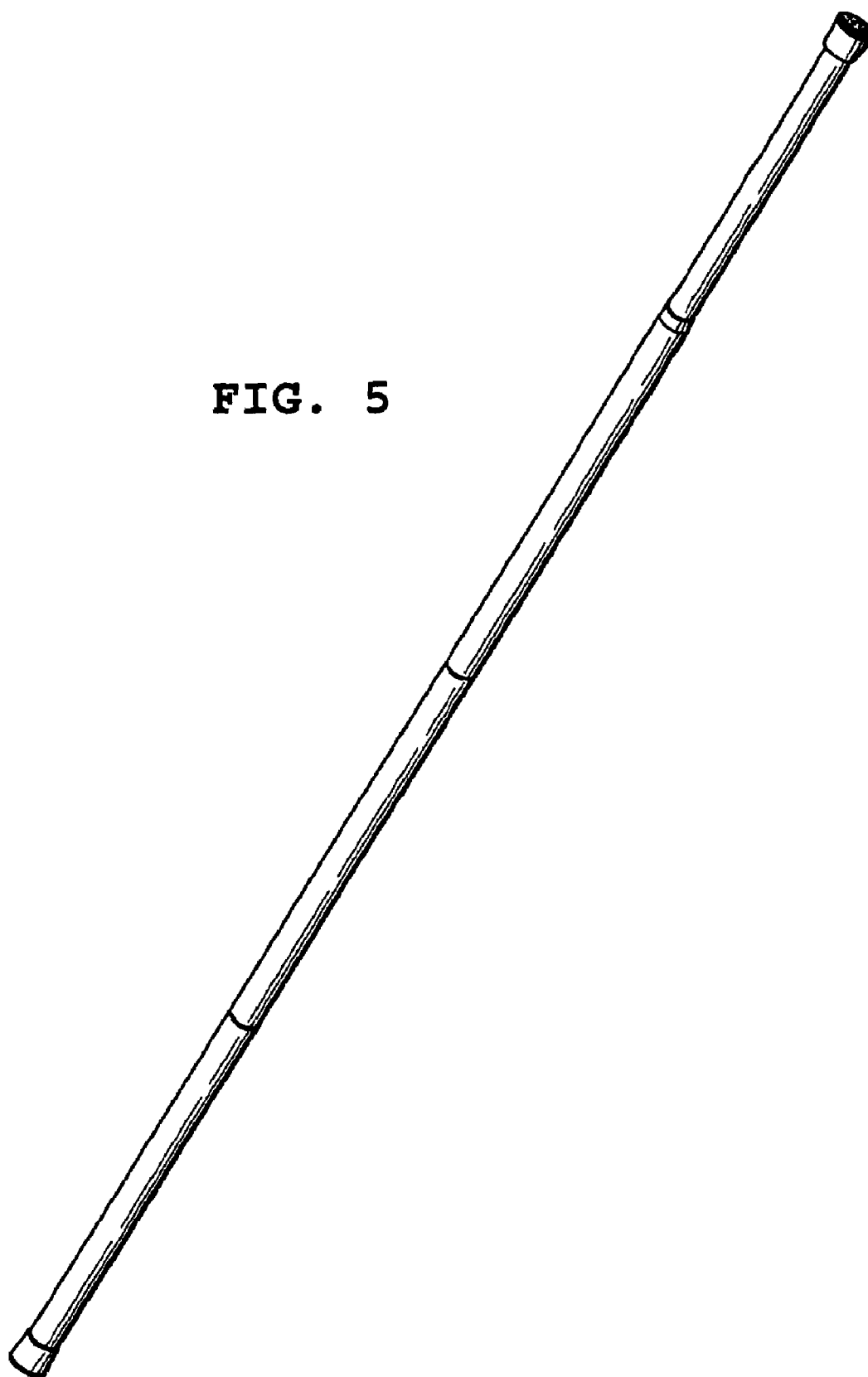
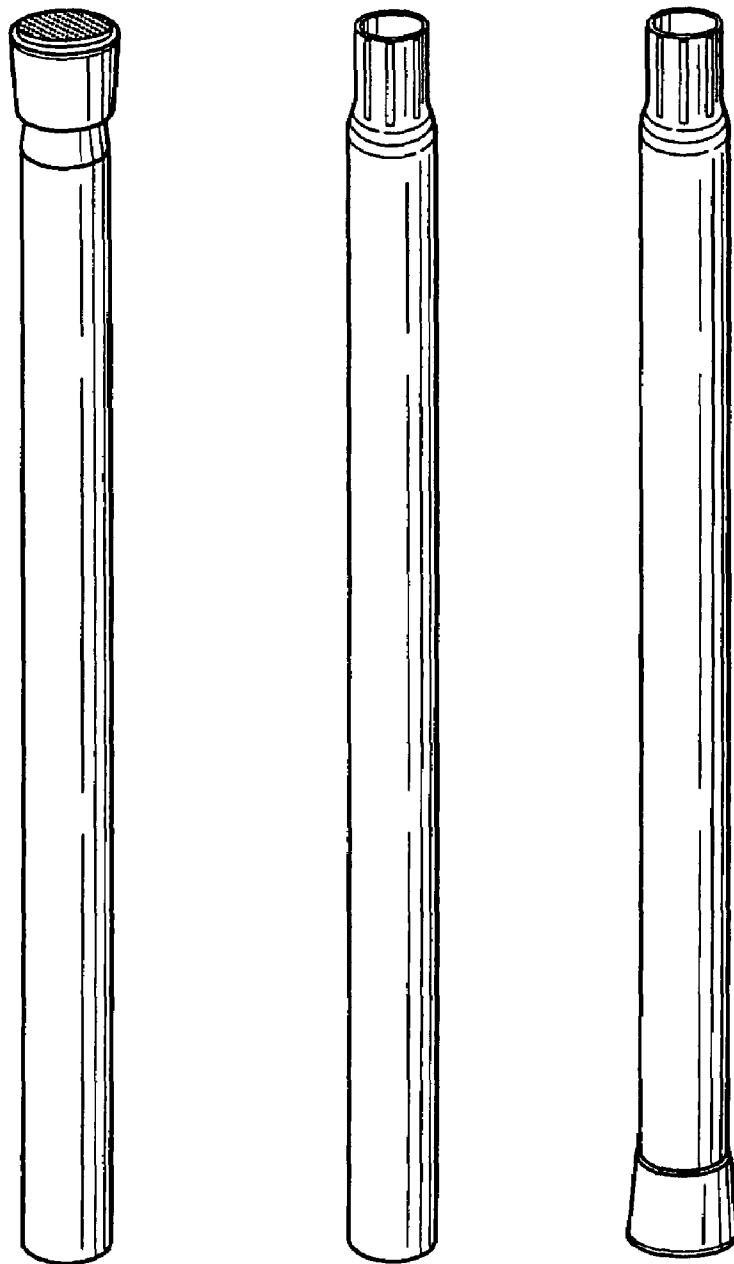


FIG. 5

FIG. 6





**FIG. 7**

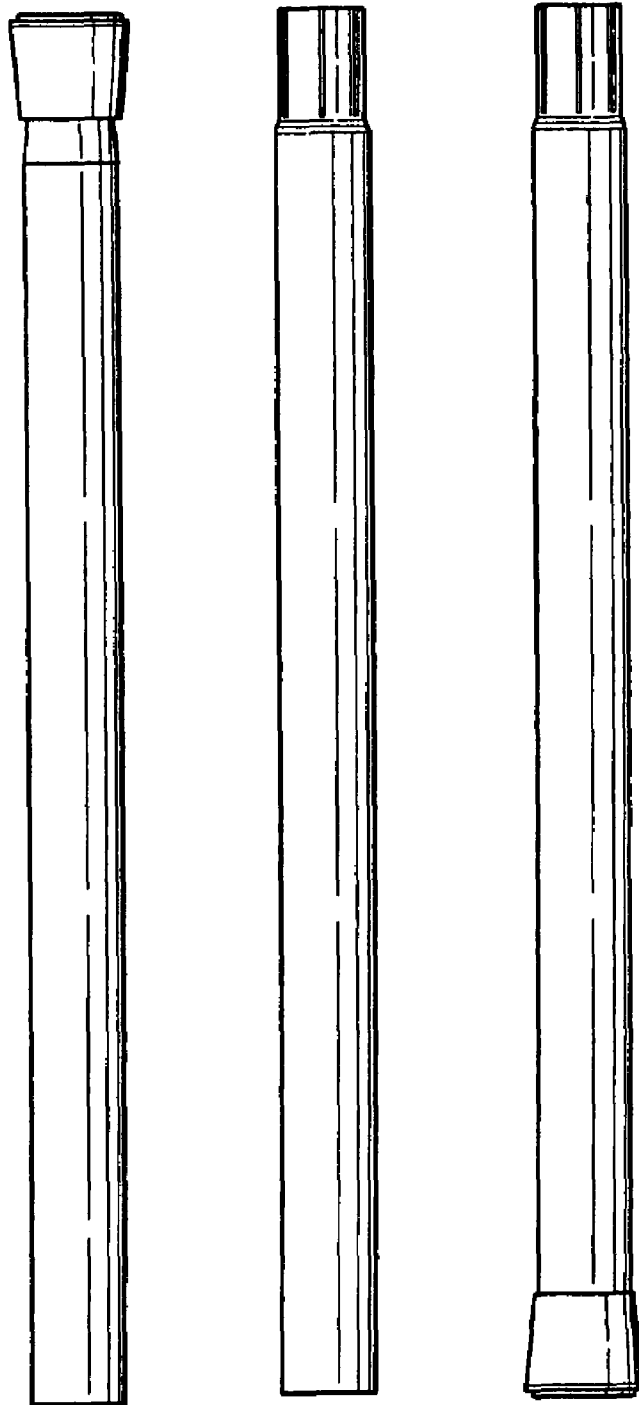


FIG. 8

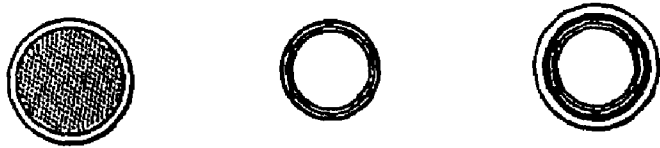


FIG. 9

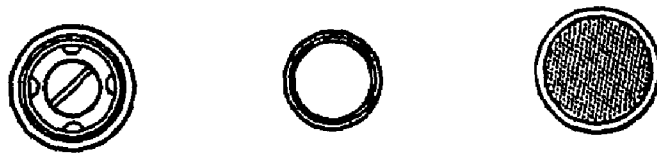


FIG. 10

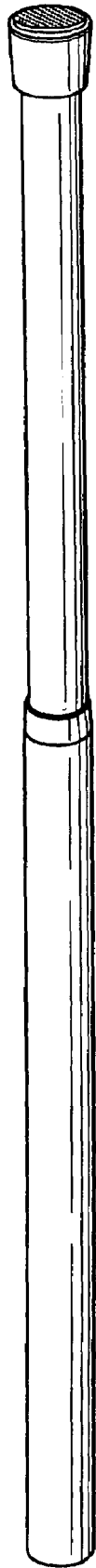


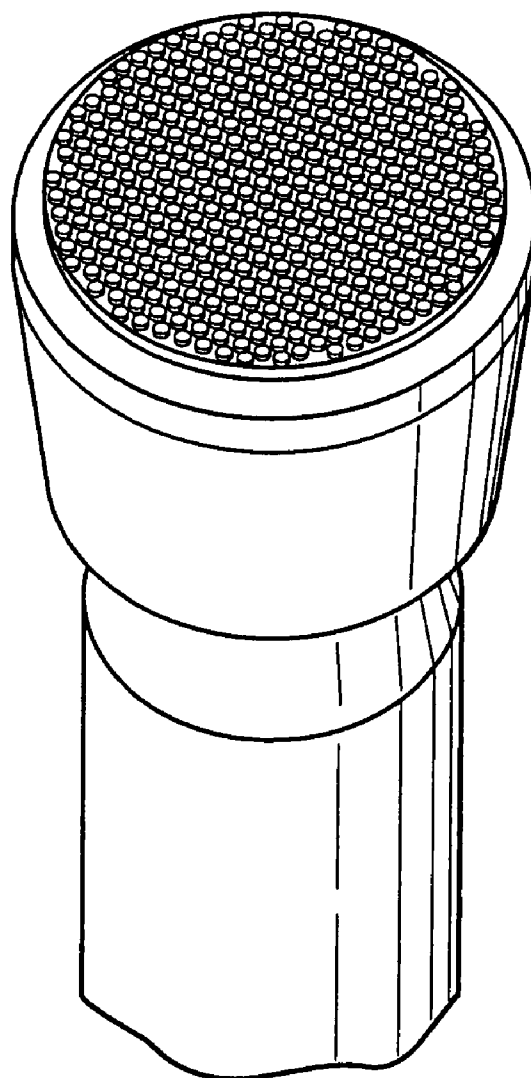
FIG. 11





FIG. 12





**FIG. 13**