



- (51) International Patent Classification:
B60K 15/035 (2006.01) *B60K 15/03* (2006.01)
- (21) International Application Number:
PCT/IL2013/050284
- (22) International Filing Date:
21 March 2013 (21.03.2013)
- (25) Filing Language: English
- (26) Publication Language: English
- (30) Priority Data:
61/615,387 26 March 2012 (26.03.2012) US
- (71) Applicant: **RAVAL A.C.S. LTD.** [IL/IL]; 11 Hakozer Street, 84889 Beer-Sheva (IL).
- (72) Inventors: **VULKAN, Omer**; Kibbutz Mishmar Hanegev, 85315 D.N. Hanegev (IL). **RAHAMIM, Alon**; 3 Dov Sadan Street, 84836 Beer-Sheva (IL). **OLSHANETSKY, Vladimir**; 11 Zalpah Street, 84513 Beer Sheva (IL). **KLEYMAN, Denis**; 9/5 Derech HaMeshahrerim Street., 84299 Beer Sheva (IL).
- (74) Agent: **REINHOLD COHN AND PARTNERS**; P.O. Box 13239, 61131 Tel Aviv (IL).
- (81) Designated States (unless otherwise indicated, for every kind of national protection available): AE, AG, AL, AM, AO, AT, AU, AZ, BA, BB, BG, BH, BN, BR, BW, BY, BZ, CA, CH, CL, CN, CO, CR, CU, CZ, DE, DK, DM, DO, DZ, EC, EE, EG, ES, FI, GB, GD, GE, GH, GM, GT,

HN, HR, HU, ID, IL, IN, IS, JP, KE, KG, KM, KN, KP, KR, KZ, LA, LC, LK, LR, LS, LT, LU, LY, MA, MD, ME, MG, MK, MN, MW, MX, MY, MZ, NA, NG, NI, NO, NZ, OM, PA, PE, PG, PH, PL, PT, QA, RO, RS, RU, RW, SC, SD, SE, SG, SK, SL, SM, ST, SV, SY, TH, TJ, TM, TN, TR, TT, TZ, UA, UG, US, UZ, VC, VN, ZA, ZM, ZW.

(84) Designated States (unless otherwise indicated, for every kind of regional protection available): ARIPO (BW, GH, GM, KE, LR, LS, MW, MZ, NA, RW, SD, SL, SZ, TZ, UG, ZM, ZW), Eurasian (AM, AZ, BY, KG, KZ, RU, TJ, TM), European (AL, AT, BE, BG, CH, CY, CZ, DE, DK, EE, ES, FI, FR, GB, GR, HR, HU, IE, IS, IT, LT, LU, LV, MC, MK, MT, NL, NO, PL, PT, RO, RS, SE, SI, SK, SM, TR), OAPI (BF, BJ, CF, CG, CI, CM, GA, GN, GQ, GW, ML, MR, NE, SN, TD, TG).

Declarations under Rule 4.17:

— of inventorship (Rule 4.17(iv))

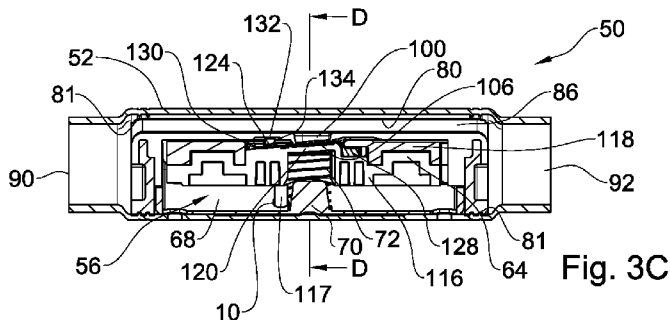
Published:

- with international search report (Art. 21(3))
- before the expiration of the time limit for amending the claims and to be republished in the event of receipt of amendments (Rule 48.2(h))

(88) Date of publication of the international search report:

21 November 2013

(54) Title: FUEL-VAPOUR VALVE SYSTEM AND COMPONENTS THEREFOR



(57) Abstract: A roll over fuel-vapor valve is provided comprising a housing (52) defining a valve having a valve inlet port extending through a wall of the housing and a valve outlet port (100) and a float member (64) disposed between said inlet port and said outlet port and being displaceable between an open position and a closed position, said housing (52) further comprising a fluid flow channel (86) extending along a top portion thereof and having a first end and a second end, wherein said outlet port (100) is extending into said channel (86) such that in said open position fluid flow is facilitated between said valve inlet port and said channel.



INTERNATIONAL SEARCH REPORT

International application No
PCT/IL2013/050284

A. CLASSIFICATION OF SUBJECT MATTER
INV. B60K15/035 B60K15/03
ADD.
According to International Patent Classification (IPC) or to both national classification and IPC

B. FIELDS SEARCHED
Minimum documentation searched (classification system followed by classification symbols)
B60K
Documentation searched other than minimum documentation to the extent that such documents are included in the fields searched

Electronic data base consulted during the international search (name of data base and, where practicable, search terms used)
EPO-Internal, WPI Data

C. DOCUMENTS CONSIDERED TO BE RELEVANT		
Category*	Citation of document, with indication, where appropriate, of the relevant passages	Relevant to claim No.
X	US 6 062 250 A (TAKAHASHI JUN [JP]) 16 May 2000 (2000-05-16)	1-3, 23-25, 28,29, 33,35
A	column 3, line 56 - column 4, line 21 column 4, line 64 - column 5, line 8 figures 1, 2, 4	6,9, 36-69
X	US 2001/054452 A1 (OZAKI KATSUNORI [JP]) 27 December 2001 (2001-12-27)	1,2,20, 23-25, 28,29,35
A	paragraph [0028] figure 3	7,9
	----- -/--	

Further documents are listed in the continuation of Box C.

See patent family annex.

* Special categories of cited documents :

<p>"A" document defining the general state of the art which is not considered to be of particular relevance</p> <p>"E" earlier application or patent but published on or after the international filing date</p> <p>"L" document which may throw doubts on priority claim(s) or which is cited to establish the publication date of another citation or other special reason (as specified)</p> <p>"O" document referring to an oral disclosure, use, exhibition or other means</p> <p>"P" document published prior to the international filing date but later than the priority date claimed</p>	<p>"T" later document published after the international filing date or priority date and not in conflict with the application but cited to understand the principle or theory underlying the invention</p> <p>"X" document of particular relevance; the claimed invention cannot be considered novel or cannot be considered to involve an inventive step when the document is taken alone</p> <p>"Y" document of particular relevance; the claimed invention cannot be considered to involve an inventive step when the document is combined with one or more other such documents, such combination being obvious to a person skilled in the art</p> <p>"&" document member of the same patent family</p>
---	---

Date of the actual completion of the international search 24 September 2013	Date of mailing of the international search report 02/10/2013
---	---

Name and mailing address of the ISA/ European Patent Office, P.B. 5818 Patentlaan 2 NL - 2280 HV Rijswijk Tel. (+31-70) 340-2040, Fax: (+31-70) 340-3016	Authorized officer Adacker, Jürgen
--	--

INTERNATIONAL SEARCH REPORT

International application No.
PCT/IL2013/050284

Box No. II Observations where certain claims were found unsearchable (Continuation of item 2 of first sheet)

This international search report has not been established in respect of certain claims under Article 17(2)(a) for the following reasons:

1. Claims Nos.:
because they relate to subject matter not required to be searched by this Authority, namely:

2. Claims Nos.:
because they relate to parts of the international application that do not comply with the prescribed requirements to such an extent that no meaningful international search can be carried out, specifically:

3. Claims Nos.:
because they are dependent claims and are not drafted in accordance with the second and third sentences of Rule 6.4(a).

Box No. III Observations where unity of invention is lacking (Continuation of item 3 of first sheet)

This International Searching Authority found multiple inventions in this international application, as follows:

see additional sheet

1. As all required additional search fees were timely paid by the applicant, this international search report covers all searchable claims.

2. As all searchable claims could be searched without effort justifying an additional fees, this Authority did not invite payment of additional fees.

3. As only some of the required additional search fees were timely paid by the applicant, this international search report covers only those claims for which fees were paid, specifically claims Nos.:

4. No required additional search fees were timely paid by the applicant. Consequently, this international search report is restricted to the invention first mentioned in the claims; it is covered by claims Nos.:

Remark on Protest

- The additional search fees were accompanied by the applicant's protest and, where applicable, the payment of a protest fee.
- The additional search fees were accompanied by the applicant's protest but the applicable protest fee was not paid within the time limit specified in the invitation.
- No protest accompanied the payment of additional search fees.

INTERNATIONAL SEARCH REPORT

International application No
PCT/IL2013/050284

C(Continuation). DOCUMENTS CONSIDERED TO BE RELEVANT		
Category*	Citation of document, with indication, where appropriate, of the relevant passages	Relevant to claim No.
X	WO 01/07806 A1 (RAVIV PREC INJECTION MOULDING [IL]; EHRMAN MOSHE [IL]; ORENSTEIN EHUD) 1 February 2001 (2001-02-01)	1,4-19, 21-25, 28,29, 35,70
A	page 6, line 2 - page 8, line 8 figures 1, 2	3
X	US 2009/014090 A1 (ROSCHE RICHARD [DE] ET AL) 15 January 2009 (2009-01-15)	1,23-27, 29-31, 33,35
A	paragraphs [0016], [0029] - [0030] figure 6	7,9, 36-69
X	US 2009/321461 A1 (VULKAN OMER [IL] ET AL) 31 December 2009 (2009-12-31)	1,2,4-6, 23-33, 35,70
A	paragraphs [0018] - [0030], [0044] - [0048], [0051] claim 32 figures 1-5	8,14, 36-69
A	EP 0 724 098 A1 (RAVIV PRECISION INJECTION MOLD [IL]) 31 July 1996 (1996-07-31)	1,3, 7-12,16, 19-22,35
	column 3, line 16 - column 5, line 35 figures 1-7	
A	US 2005/172999 A1 (OHSHIRO ATSUSHI [JP] ET AL) 11 August 2005 (2005-08-11)	36-69
	paragraphs [0029] - [0045] figures 1-4	
A	US 2005/016601 A1 (REITER FRANK [DE] ET AL) 27 January 2005 (2005-01-27)	36-69
	paragraph [0027] figures 1, 3	
A	US 2004/086331 A1 (IWAMOTO TAKASHI [JP]) 6 May 2004 (2004-05-06)	36-69
	paragraphs [0036] - [0037] figures 1-4	
A	DE 195 47 070 A1 (BAYERISCHE MOTOREN WERKE AG [DE]) 19 June 1997 (1997-06-19)	36-69
	figure	

INTERNATIONAL SEARCH REPORT

Information on patent family members

International application No

PCT/IL2013/050284

Patent document cited in search report	Publication date	Patent family member(s)	Publication date
US 6062250	A	16-05-2000	JP 3914320 B2 16-05-2007
			JP H11210584 A 03-08-1999
			US 6062250 A 16-05-2000
US 2001054452	A1	27-12-2001	JP 3948194 B2 25-07-2007
			JP 2002002314 A 09-01-2002
			US 2001054452 A1 27-12-2001
WO 0107806	A1	01-02-2001	AT 294349 T 15-05-2005
			AU 5842900 A 13-02-2001
			DE 60019769 D1 02-06-2005
			DE 60019769 T2 09-03-2006
			EP 1212560 A1 12-06-2002
			JP 4615169 B2 19-01-2011
			JP 2003517142 A 20-05-2003
			JP 2009243687 A 22-10-2009
			US 6701952 B1 09-03-2004
			WO 0107806 A1 01-02-2001
US 2009014090	A1	15-01-2009	DE 102008014820 A1 08-01-2009
			US 2009014090 A1 15-01-2009
			US 2013126007 A1 23-05-2013
US 2009321461	A1	31-12-2009	CN 101622484 A 06-01-2010
			EP 2041409 A2 01-04-2009
			JP 2009542527 A 03-12-2009
			KR 20090040432 A 24-04-2009
			RU 2009104018 A 20-08-2010
			US 2009321461 A1 31-12-2009
			WO 2008007352 A2 17-01-2008
EP 0724098	A1	31-07-1996	AT 174672 T 15-01-1999
			DE 69601135 D1 28-01-1999
			DE 69601135 T2 20-05-1999
			EP 0724098 A1 31-07-1996
			ES 2126339 T3 16-03-1999
			IL 112444 A 04-01-1998
			JP 3436839 B2 18-08-2003
			JP H08254278 A 01-10-1996
			US 5738132 A 14-04-1998
US 2005172999	A1	11-08-2005	JP 4347713 B2 21-10-2009
			JP 2005225254 A 25-08-2005
			US 2005172999 A1 11-08-2005
US 2005016601	A1	27-01-2005	DE 10329121 A1 20-01-2005
			EP 1491381 A2 29-12-2004
			US 2005016601 A1 27-01-2005
US 2004086331	A1	06-05-2004	JP 4184035 B2 19-11-2008
			JP 2004136835 A 13-05-2004
			US 2004086331 A1 06-05-2004
DE 19547070	A1	19-06-1997	NONE

FURTHER INFORMATION CONTINUED FROM PCT/ISA/ 210

This International Searching Authority found multiple (groups of) inventions in this international application, as follows:

1. claims: 1-35, 70

A roll over fuel-vapor valve substantially comprising

- a) a housing defining a valve having
- b) a valve inlet port extending through a wall of the housing and
- c) a valve outlet port and
- d) a float member disposed between said inlet port and said outlet port and being displaceable between an open position and a closed position,
- e) said housing further comprising a fluid flow channel extending along a top portion thereof and having a first end and a second end, wherein said outlet port is extending into said channel such that in said open position fluid flow is facilitated between said valve inlet port and said fluid flow channel.

2. claims: 36-69

A fuel-vapor system substantially comprising:

- f) at least one pliable segment configured to retain the shape thereof;
- g) at least one flattened segment for applying an attachment and orientation member thereto;
- h) at least one first segment configured for receiving therein a fuel vapor accessory; and
- i) an outlet opening for coupling to an outlet aperture of a fuel tank.
