

(19) World Intellectual Property Organization
International Bureau



(43) International Publication Date
3 March 2005 (03.03.2005)

PCT

(10) International Publication Number
WO 2005/019009 A3

- (51) International Patent Classification:
B62D 25/02 (2006.01) C08J 5/00 (2006.01)
- (21) International Application Number:
PCT/US2004/027110
- (22) International Filing Date: 20 August 2004 (20.08.2004)
- (25) Filing Language: English
- (26) Publication Language: English
- (30) Priority Data:
10/645,920 20 August 2003 (20.08.2003) US
10/645,223 20 August 2003 (20.08.2003) US

(74) Agent: GLOBERMAN, Kyle, M.; Nelson Mullins Riley & Scarborough, LLP, 1320 Main Street, Columbia, SC 29201 (US).

(81) Designated States (unless otherwise indicated, for every kind of national protection available): AE, AG, AL, AM, AT, AU, AZ, BA, BB, BG, BR, BW, BY, BZ, CA, CH, CN, CO, CR, CU, CZ, DE, DK, DM, DZ, EC, EE, EG, ES, FI, GB, GD, GE, GH, GM, HR, HU, ID, IL, IN, IS, JP, KE, KG, KP, KR, KZ, LC, LK, LR, LS, LT, LU, LV, MA, MD, MG, MK, MN, MW, MX, MZ, NA, NI, NO, NZ, OM, PG, PH, PL, PT, RO, RU, SC, SD, SE, SG, SK, SL, SY, TJ, TM, TN, TR, TT, TZ, UA, UG, US, UZ, VC, VN, YU, ZA, ZM, ZW.

(71) Applicant (for all designated States except US): GREAT DANE LIMITED PARTNERSHIP [US/US]; c/o CC Industries, Inc., 222 North LaSalle Street, Suite 1000, Chicago, IL 60601 (US).

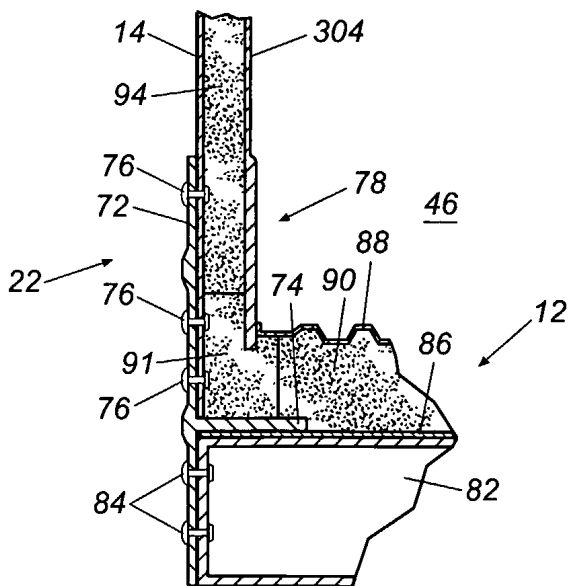
(84) Designated States (unless otherwise indicated, for every kind of regional protection available): ARIPO (BW, GH, GM, KE, LS, MW, MZ, NA, SD, SL, SZ, TZ, UG, ZM, ZW), Eurasian (AM, AZ, BY, KG, KZ, MD, RU, TJ, TM), European (AT, BE, BG, CH, CY, CZ, DE, DK, EE, ES, FI, FR, GB, GR, HU, IE, IT, LU, MC, NL, PL, PT, RO, SE, SI, SK, TR), OAPI (BF, BJ, CF, CG, CI, CM, GA, GN, GQ, GW, ML, MR, NE, SN, TD, TG).

- (72) Inventors; and
- (75) Inventors/Applicants (for US only): JONES, John, M. [US/US]; 192 Sebring Drive, Bloomingdale, GA 31302 (US). FETZ, Charles, R. [US/US]; 7 Old Barn Road, Savannah, GA 31419 (US). MCCORMACK, Danie, J. [US/US]; 212 Lake Tomacheechee Drive, Rincon, GA 31326 (US). THAN, Maung Aye [US/US]; 2624 Salem Street, Lafayette, IN 47904 (US). TATUM, Melanie, R. [US/US]; 122 Raindance Road, Pooler, GA 31322 (US).

Published:
— with international search report

(88) Date of publication of the international search report:
30 April 2009

(54) Title: LINER PANEL HAVING BARRIER LAYER



(57) Abstract: A cargo trailer (10) includes a floor (12), a roof (18) and a side wall extending vertically upward between the floor and roof. The side wall includes a substantially gas impermeable outer liner panel and a substantially gas impermeable inner liner panel. The inner liner panel includes at least one glass and polymer layer and one gas impermeable barrier layer. The inner liner panel can also be used to form the roof and replace the outer liner panel.

WO 2005/019009 A3

INTERNATIONAL SEARCH REPORT

International application No.

PCT/US04/27110

A. CLASSIFICATION OF SUBJECT MATTER
 IPC: **B62D 25/02(2006.01);C08J 5/00(2006.01)**

 USPC: 296/186.1, 191;156/308.2,306.6,309.6,311,324.4
 According to International Patent Classification (IPC) or to both national classification and IPC

B. FIELDS SEARCHED
 Minimum documentation searched (classification system followed by classification symbols)
 U.S. : Please See Continuation Sheet

Documentation searched other than minimum documentation to the extent that such documents are included in the fields searched

Electronic data base consulted during the international search (name of data base and, where practicable, search terms used)

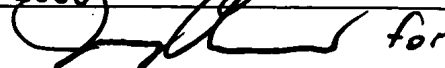
C. DOCUMENTS CONSIDERED TO BE RELEVANT

Category *	Citation of document, with indication, where appropriate, of the relevant passages	Relevant to claim No.
Y	US 6,093,481 A (LYNN et al.) 25 July 2000 (25.07.2000), see figures 1-5).	1-9,11, 13-15,18-32,34, 35, 38,40-42,45,47-55,77-89
Y,P	US 2004/0014382 A1 (MACAULAY) 22 January 2004 (22.01.2004), see paragraph 0016.	1-9,11, 13-15,18-32,34,35,38,40-42,45,47-55
Y	MILLER, R.C., Polypropylene, Plastics Handbook, 1994, see pages 48-49.	2,14,18,26,40-42,45,48

Further documents are listed in the continuation of Box C. See patent family annex.

* Special categories of cited documents:	"T" later document published after the international filing date or priority date and not in conflict with the application but cited to understand the principle or theory underlying the invention
"A" document defining the general state of the art which is not considered to be of particular relevance	"X" document of particular relevance; the claimed invention cannot be considered novel or cannot be considered to involve an inventive step when the document is taken alone
"E" earlier application or patent published on or after the international filing date	"Y" document of particular relevance; the claimed invention cannot be considered to involve an inventive step when the document is combined with one or more other such documents, such combination being obvious to a person skilled in the art
"L" document which may throw doubts on priority claim(s) or which is cited to establish the publication date of another citation or other special reason (as specified)	"&" document member of the same patent family
"O" document referring to an oral disclosure, use, exhibition or other means	
"P" document published prior to the international filing date but later than the priority date claimed	

Date of the actual completion of the international search 28 July 2008 (28.07.2008)	Date of mailing of the international search report 27 AUG 2008
--	--

Name and mailing address of the ISA/US Mail Stop PCT, Attn: ISA/US Commissioner for Patents P.O. Box 1450 Alexandria, Virginia 22313-1450 Facsimile No. (571) 273-3201	Authorized officer  for Jason S. Morrow Telephone No. (703) 308-1113
---	---

INTERNATIONAL SEARCH REPORT

International application No.
PCT/US04/27110

Continuation of B. FIELDS SEARCHED Item 1:

296/186.1,

191,24.35,24.41,181.6,181.2,187.02,39.3;156/308.2,306.6,309.6,311,324.4,60,71,324;52/582.1,578;105/404,409,423;442/222,224,226