

(19) World Intellectual Property Organization  
International Bureau



(43) International Publication Date  
23 June 2005 (23.06.2005)

PCT

(10) International Publication Number  
**WO 2005/055910 A3**

(51) International Patent Classification<sup>7</sup>: **A63B 21/02**

(US). ACCUMANNO, Mario [US/US]; 44 Cutter Drive, East Hanover, NJ 07936 (US).

(21) International Application Number:  
PCT/US2004/040378

(74) Agents: **BERMAN, Rod, S.** et al.; Jeffer, Mangels, Butler & Marmaro LLP, 1900 Avenue of the Stars, Seventh Floor, Los Angeles, CA 90067-4308 (US).

(22) International Filing Date:  
3 December 2004 (03.12.2004)

(81) Designated States (unless otherwise indicated, for every kind of national protection available): AE, AG, AL, AM, AT, AU, AZ, BA, BB, BG, BR, BW, BY, BZ, CA, CH, CN, CO, CR, CU, CZ, DE, DK, DM, DZ, EC, EE, EG, ES, FI, GB, GD, GE, GH, GM, HR, HU, ID, IL, IN, IS, JP, KE, KG, KP, KR, KZ, LC, LK, LR, LS, LT, LU, LV, MA, MD, MG, MK, MN, MW, MX, MZ, NA, NI, NO, NZ, OM, PG, PH, PL, PT, RO, RU, SC, SD, SE, SG, SK, SL, SY, TJ, TM, TN, TR, TT, TZ, UA, UG, US, UZ, VC, VN, YU, ZA, ZM, ZW.

(25) Filing Language: English

(26) Publication Language: English

(30) Priority Data:  
10/730,313 4 December 2003 (04.12.2003) US  
10/934,063 2 September 2004 (02.09.2004) US

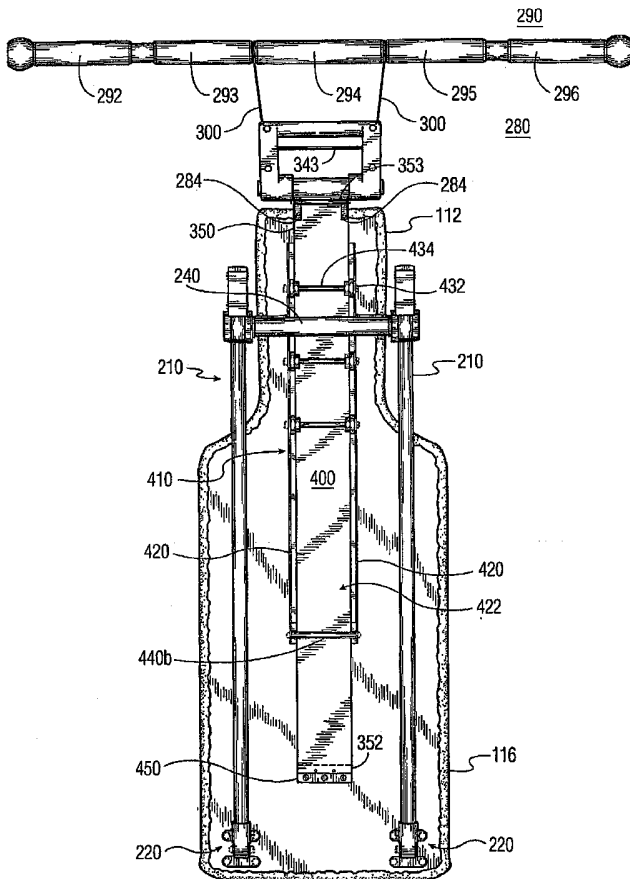
(71) Applicant and  
(72) Inventor: **CARLUCCI, John** [US/US]; 2105 West County Line Road, Jackson, NJ 08527 (US).

(84) Designated States (unless otherwise indicated, for every kind of regional protection available): ARIPO (BW, GH, GM, KE, LS, MW, MZ, NA, SD, SL, SZ, TZ, UG, ZM, ZW), Eurasian (AM, AZ, BY, KG, KZ, MD, RU, TJ, TM), European (AT, BE, BG, CH, CY, CZ, DE, DK, EE, ES, FI,

(72) Inventors; and  
(75) Inventors/Applicants (for US only): **KOCSIS, Rick** [US/US]; 184 East Veterans Highway, Jackson, NJ 08527

[Continued on next page]

(54) Title: MUSCLE STRETCHING DEVICE AND METHOD FOR USING THE SAME



(57) Abstract: A device and method for stretching, toning and strengthening the chest, shoulder, neck and upper back muscles of a patient thereby relieving pain and improving posture. Typically the patient is suffering from tension related muscle problems. The device and method are used to facilitate therapeutic treatment of the muscle problems by progressively stretching the muscles and thereby relieving the muscle problems.

WO 2005/055910 A3



FR, GB, GR, HU, IE, IS, IT, LT, LU, MC, NL, PL, PT, RO,  
SE, SI, SK, TR), OAPI (BF, BJ, CF, CG, CI, CM, GA, GN,  
GQ, GW, ML, MR, NE, SN, TD, TG).

(88) **Date of publication of the international search report:**  
16 February 2006

**Published:**

— *with international search report*

*For two-letter codes and other abbreviations, refer to the "Guidance Notes on Codes and Abbreviations" appearing at the beginning of each regular issue of the PCT Gazette.*

**INTERNATIONAL SEARCH REPORT**

International application No.

PCT/US04/40378

**A. CLASSIFICATION OF SUBJECT MATTER**

IPC(7) : A63B 21/02  
 US CL : 482/123,72,51,73

According to International Patent Classification (IPC) or to both national classification and IPC

**B. FIELDS SEARCHED**

Minimum documentation searched (classification system followed by classification symbols)

U.S. : 482/123,72,51,73

Documentation searched other than minimum documentation to the extent that such documents are included in the fields searched

Electronic data base consulted during the international search (name of data base and, where practicable, search terms used)

**C. DOCUMENTS CONSIDERED TO BE RELEVANT**

Category *	Citation of document, with indication, where appropriate, of the relevant passages	Relevant to claim No.
A	US 6,238,322 B1 (Hsu) 29 May 2001, see entire document.	1-154
A	US 6,371,895 B1 (Endelman et al) 16 April 2002, see entire document.	1-154

Further documents are listed in the continuation of Box C.

See patent family annex.

* Special categories of cited documents:	"T"
"A" document defining the general state of the art which is not considered to be of particular relevance	later document published after the international filing date or priority date and not in conflict with the application but cited to understand the principle or theory underlying the invention
"E" earlier application or patent published on or after the international filing date	"X" document of particular relevance, the claimed invention cannot be considered novel or cannot be considered to involve an inventive step when the document is taken alone
"L" document which may throw doubts on priority claim(s) or which is cited to establish the publication date of another citation or other special reason (as specified)	"Y" document of particular relevance; the claimed invention cannot be considered to involve an inventive step when the document is combined with one or more other such documents, such combination being obvious to a person skilled in the art
"O" document referring to an oral disclosure, use, exhibition or other means	"&" document member of the same patent family
"P" document published prior to the international filing date but later than the priority date claimed	

Date of the actual completion of the international search

21 September 2005 (21.09.2005)

Date of mailing of the international search report

26 OCT 2005

Name and mailing address of the ISA/US

Mail Stop PCT, Attn: ISA/US  
 Commissioner for Patents  
 P.O. Box 1450  
 Alexandria, Virginia 22313-1450

Facsimile No. (571) 273-3201

Authorized officer

TEROME DONNELLY

Telephone No. 703-308-0858