

(19) World Intellectual Property Organization
International Bureau



(43) International Publication Date
22 November 2007 (22.11.2007)

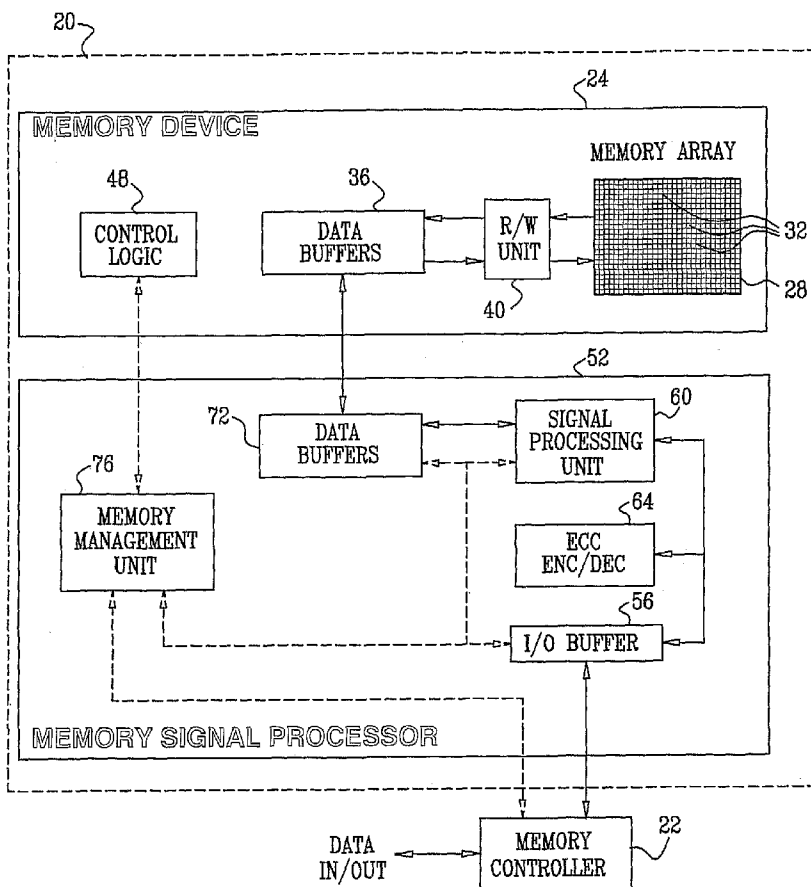
PCT

(10) International Publication Number
WO 2007/132456 A3

- (51) **International Patent Classification:**
G11C 11/34 (2006.01) *G11C 16/06* (2006.01)
G11C 16/04 (2006.01)
- (21) **International Application Number:**
 PCT/IL2007/000579
- (22) **International Filing Date:** 10 May 2007 (10.05.2007)
- (25) **Filing Language:** English
- (26) **Publication Language:** English
- (30) **Priority Data:**
- | | | |
|------------|--------------------------------|----|
| 60/747,106 | 12 May 2006 (12.05.2006) | US |
| 60/822,236 | 13 August 2006 (13.08.2006) | US |
| 60/825,913 | 17 September 2006 (17.09.2006) | US |
| 60/866,071 | 16 November 2006 (16.11.2006) | US |
| 60/866,860 | 22 November 2006 (22.11.2006) | US |
| 60/867,399 | 28 November 2006 (28.11.2006) | US |
| 60/871,838 | 26 December 2006 (26.12.2006) | US |
| 60/882,240 | 28 December 2006 (28.12.2006) | US |
| 60/883,071 | 2 January 2007 (02.01.2007) | US |
| 60/885,987 | 22 January 2007 (22.01.2007) | US |
- (71) **Applicant (for all designated States except US):** ANOBIT TECHNOLOGIES LTD. [IL/IL]; 6 Galgalei Haplada Street, 46722 Herzlia (IL).
- (72) **Inventors; and**
- (75) **Inventors/Applicants (for US only):** SHALVI, Ofir [IL/IL]; 15 Hanna Senesh Street, 43362 Ra'anana (IL). SOKOLOV, Dotan [IL/IL]; 3 Hapamonim Street, 43391 Ra'anana (IL). MAISLOS, Ariel [IL/US]; 810 Durshire Way, Sunnyvale, California 94087 (US). COHEN, Zeev [IL/IL]; 17B Bareket Street, 30900 Zichron-yaakov (IL). GURGI, Eyal [IL/IL]; 10 Hameginim Street, 49442 Petah-tikva (IL). SEMO, Gil [IL/IL]; 16 Reuven Rubin Street, 69412 Tel-aviv (IL).
- (74) **Agents:** SANFORD T. COLB & CO. et al.; P.O. Box 2273, 76122 Rehovot (IL).
- (81) **Designated States (unless otherwise indicated, for every kind of national protection available):** AE, AG, AL, AM, AT, AU, AZ, BA, BB, BG, BH, BR, BW, BY, BZ, CA, CH, CN, CO, CR, CU, CZ, DE, DK, DM, DZ, EC, EE, EG, ES, FI, GB, GD, GE, GH, GM, GT, HN, HR, HU, ID, IL, IN,

[Continued on next page]

(54) **Title:** MEMORY DEVICE WITH ADAPTIVE CAPACITY



(57) **Abstract:** A method for data storage in a memory (28) that includes a plurality of analog memory cells (32) includes estimating respective achievable storage capacities of the analog memory cells. The memory cells are assigned respective storage configurations defining quantities of data to be stored in the memory cells based on the estimated achievable capacities. The data is stored in the memory cells in accordance with the respective assigned storage configurations. The achievable storage capacities of the analog memory cells are re-estimated after the memory has been re-installed in a host system and used for storing the data in the host system. The storage configurations are modified responsively to the re-estimated achievable capacities.

WO 2007/132456 A3



IS, JP, KE, KG, KM, KN, KP, KR, KZ, LA, LC, LK, LR, LS, LT, LU, LY, MA, MD, MG, MK, MN, MW, MX, MY, MZ, NA, NG, NI, NO, NZ, OM, PG, PH, PL, PT, RO, RS, RU, SC, SD, SE, SG, SK, SL, SM, SV, SY, TJ, TM, TN, TR, TT, TZ, UA, UG, US, UZ, VC, VN, ZA, ZM, ZW.

European (AT, BE, BG, CH, CY, CZ, DE, DK, EE, ES, FI, FR, GB, GR, HU, IE, IS, IT, LT, LU, LV, MC, MT, NL, PL, PT, RO, SE, SI, SK, TR), OAPI (BF, BJ, CF, CG, CI, CM, GA, GN, GQ, GW, ML, MR, NE, SN, TD, TG).

(84) Designated States (*unless otherwise indicated, for every kind of regional protection available*): ARIPO (BW, GH, GM, KE, LS, MW, MZ, NA, SD, SL, SZ, TZ, UG, ZM, ZW), Eurasian (AM, AZ, BY, KG, KZ, MD, RU, TJ, TM),

Published:

— *with international search report*

(88) Date of publication of the international search report:
16 April 2009

INTERNATIONAL SEARCH REPORT

International application No.

PCT/IL07/00579

A. CLASSIFICATION OF SUBJECT MATTER
 IPC: **G11C 11/34(2006.01),16/04(2006.01),16/06(2006.01)**

 USPC: 365/185.03,185.09,185.24
 According to International Patent Classification (IPC) or to both national classification and IPC

B. FIELDS SEARCHED

Minimum documentation searched (classification system followed by classification symbols)
 U.S. : 365/185.03,185.09,185.24; 714/758; 711/103

Documentation searched other than minimum documentation to the extent that such documents are included in the fields searched

Electronic data base consulted during the international search (name of data base and, where practicable, search terms used)

C. DOCUMENTS CONSIDERED TO BE RELEVANT

Category *	Citation of document, with indication, where appropriate, of the relevant passages	Relevant to claim No.
X	US 2005/0169051 A1 (Khalid et al.) 04 August 2005 (04,08,2005), paragraphs [0005],[0032],[0035],[0052],[0082]	1-117

Further documents are listed in the continuation of Box C. See patent family annex.

* Special categories of cited documents:		
"A"	document defining the general state of the art which is not considered to be of particular relevance	"T" later document published after the international filing date or priority date and not in conflict with the application but cited to understand the principle or theory underlying the invention
"E"	earlier application or patent published on or after the international filing date	"X" document of particular relevance; the claimed invention cannot be considered novel or cannot be considered to involve an inventive step when the document is taken alone
"L"	document which may throw doubts on priority claim(s) or which is cited to establish the publication date of another citation or other special reason (as specified)	"Y" document of particular relevance; the claimed invention cannot be considered to involve an inventive step when the document is combined with one or more other such documents, such combination being obvious to a person skilled in the art
"O"	document referring to an oral disclosure, use, exhibition or other means	"&" document member of the same patent family
"P"	document published prior to the international filing date but later than the priority date claimed	

Date of the actual completion of the international search 17 June 2008 (17.06.2008)	Date of mailing of the international search report 03 JUL 2008
--	--

Name and mailing address of the ISA/US Mail Stop PCT, Attn: ISA/US Commissioner for Patents P.O. Box 1450 Alexandria, Virginia 22313-1450 Facsimile No. (571) 273-3201	Authorized officer /Hetul Patel/ Telephone No. 571-272-4184
---	---