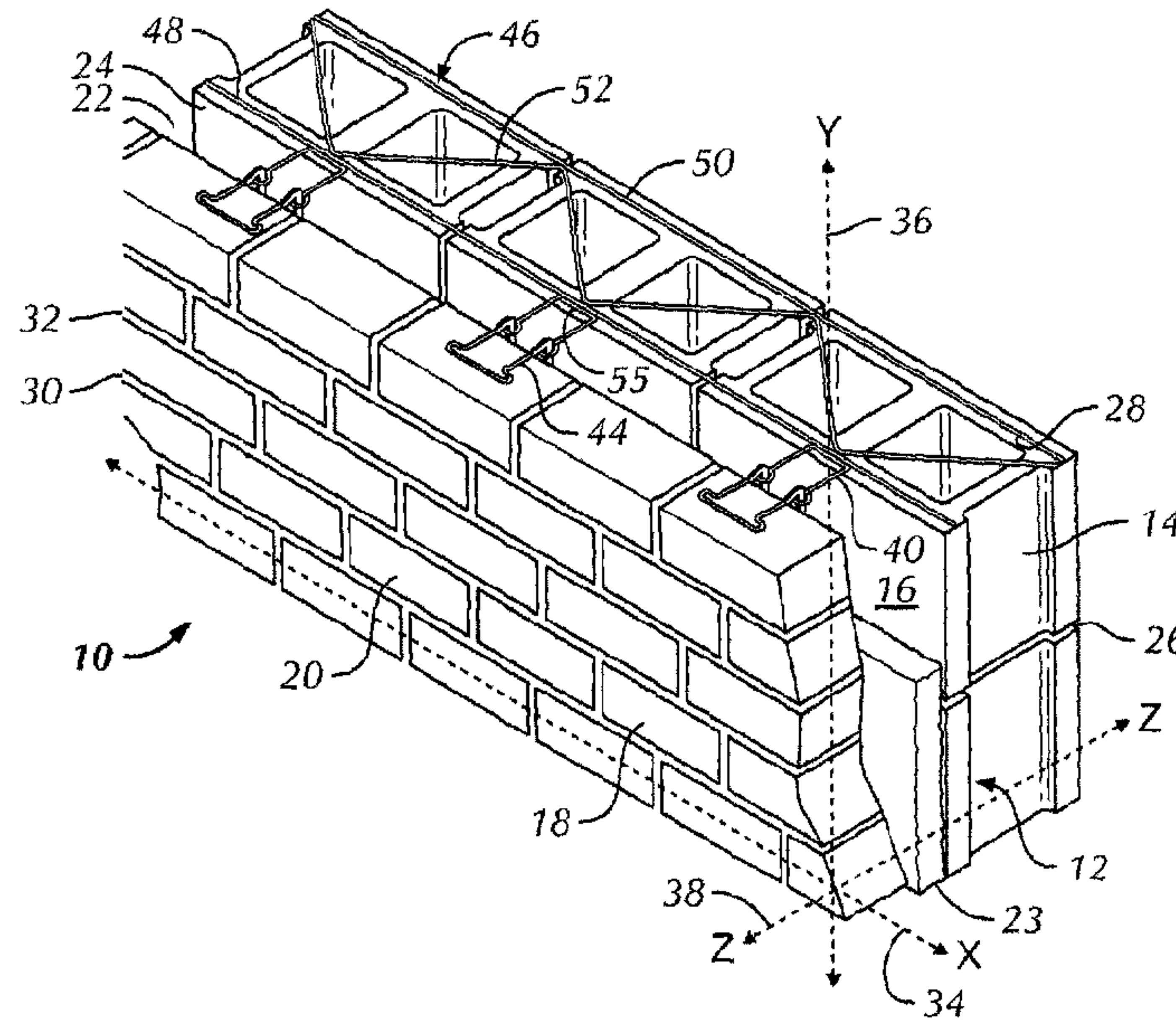




(22) Date de dépôt/Filing Date: 2013/09/06
 (41) Mise à la disp. pub./Open to Public Insp.: 2014/03/15
 (45) Date de délivrance/Issue Date: 2017/07/18
 (30) Priorité/Priority: 2012/09/15 (US13/620,882)

(51) Cl.Int./Int.Cl. *E04B 1/41* (2006.01),
E04B 1/98 (2006.01), *E04B 2/30* (2006.01),
E04F 13/22 (2006.01)
 (72) Inventeur/Inventor:
 HOHMANN, RONALD P., JR., US
 (73) Propriétaire/Owner:
 MITEK HOLDINGS, INC., US
 (74) Agent: SMART & BIGGAR

(54) Titre : CHEVILLE ANTI-ARRACHEMENT ET SYSTEME D'ANCRAGE UTILISANT CELLE-CI
 (54) Title: PULLOUT RESISTANT PINTLE AND ANCHORING SYSTEM UTILIZING THE SAME



(57) Abrégé/Abstract:

A high-strength pullout resistant pintle and anchoring system employing the same is disclosed. The modified veneer tie utilizes ribbon pintles formed from a wire formative construct that is cold-worked with the resultant body having substantially semicircular edges and flat surfaces therebetween. The edges are aligned to receive compressive forces transmitted from the outer wythe. The ribbon pintles hereof, when part of the anchoring system, interengage with receptor portions of a wall anchor and are dimensioned to preclude significant lateral, vertical and horizontal movement.

ABSTRACT

A high-strength pullout resistant pintle and anchoring system employing the same is disclosed. The modified veneer tie utilizes ribbon pintles formed from a wire formative construct that is cold-worked with the resultant body having substantially semicircular edges and flat surfaces therebetween. The edges are aligned to receive compressive forces transmitted from the outer wythe. The ribbon pintles hereof, when part of the anchoring system, interengage with receptor portions of a wall anchor and are dimensioned to preclude significant lateral, vertical and horizontal movement.

**PULLOUT RESISTANT PINTLE AND ANCHORING SYSTEM
UTILIZING THE SAME**

BACKGROUND OF THE INVENTION

Field of the Invention

[0001] This invention relates to an improved anchoring arrangement for use in conjunction with cavity walls having an inner wythe and an outer wythe. More particularly, the invention relates to construction accessory devices, namely, veneer ties with configured ribbon pintles. The veneer ties are for emplacement in the outer wythe and are further accommodated by receptors in the cavity, which receptors extend from the inner wythe to capture the specially configured pintles hereof. The invention is applicable to structures having an outer wythe of brick or stone facing in combination with an inner wythe of either masonry block or dry wall construction.

Description of the Prior Art

[0002] In the past, investigations relating to the effects of various forces, particularly lateral forces, upon brick veneer masonry construction demonstrated the advantages of having high-strength wire anchoring components embedded in the bed joints of anchored veneer walls, such as facing brick or stone veneer. Anchor and ties are generally placed in one of the following five categories: corrugated; sheet metal; wire; two-piece adjustable; or joint reinforcing. The present invention has a focus on wire formatives and in particular, pintle ties.

[0003] Prior tests have shown that failure of anchoring systems frequently occur at the juncture between the pintle of the veneer tie and the receptor portion of the wall anchor. This invention addresses the need for a high-strength pintle suitable for use with both a masonry block and dry wall construction and provides a strong pintle-to-receptor connection.

[0004] Early in the development of high-strength anchoring systems a prior patent, namely U.S. Patent No. 4,875,319 ('319), to Ronald P. Hohmann, in which a molded plastic clip is described as tying together reinforcing wire and a veneer tie. The assignee of '319, Hohmann & Barnard, Inc., now a MiTek-Berkshire Hathaway company, successfully commercialized the device under the SeismiClip trademark. For many years the white plastic clip tying together the veneer anchor and the reinforcement wire in the outer wythe has been a familiar item in commercial seismic-zone buildings.

[0005] Additionally, the high-strength pintle hereof has been combined with the swaged leg as shown in the inventor's patent, U.S. Patent No 7,325,366. The combination item reduces the number of "bits and pieces" brought to the job site and simplifies installation.

[0006] The high-strength pintle is specially configured to prevent veneer tie pullout. The configured pintle restricts movement in all directions, ensuring a high-strength connection and transfer of forces between the veneer and the backup wall.

[0007] There have been significant shifts in public sector building specifications which have resulted in architects and architectural engineers requiring larger and larger cavities in the exterior cavity walls of public buildings. These requirements are imposed without corresponding decreases in wind shear and seismic resistance levels or increases in mortar bed joint height. Thus, the wall anchors needed are restricted to occupying the same 3/8-inch bed joint height in the inner and outer wythes. Thus, the veneer facing material is tied down over a span of two or more times that which had previously been experienced. Exemplary of the public sector building specification is that of the Energy Code Requirement, Boston, Mass. (See Chapter 13 of 780 CMR, Seventh Edition). This Code sets forth insulation R-values well in excess of prior editions and evokes an engineering response opting for thicker insulation and correspondingly larger cavities.

[0008] Besides earthquake protection requiring high-strength anchoring systems, the failure of several high-rise buildings to withstand wind and other lateral forces has resulted in the promulgation of more stringent Uniform Building Code provisions. This high-strength pullout resistant pintle is a partial response thereto. The inventor's related anchoring system products have become widely accepted in the industry.

[0009] The following patents are believed to be relevant and are disclosed as being known to the inventor hereof:

<u>U.S. Patent No.</u>	<u>Inventor</u>	<u>Issue Date</u>
3,377,764	Storch	April 16, 1968
4,021,990	Schwalberg	May 10, 1977
4,373,314	Allan	February 15, 1983
4,473,984	Lopez	October 2, 1984
4,598,518	Hohmann	July 8, 1986
4,869,038	Catani	September 26, 1989
4,875,319	Hohmann	October 24, 1989
5,454,200	Hohmann	October 3, 1995
6,668,505	Hohmann et al	December 30, 2003

6,789,365	Hohmann et al.	September 14, 2004
6,851,239	Hohmann et al.	February 8, 2005
7,017,318	Hohmann	March 28, 2006
7,325,366	Hohmann	February 5, 2008

It is noted that these devices are generally descriptive of wire-to-wire anchors and wall ties and have various cooperative functional relationships with straight wire runs embedded in the interior and/or exterior wythe.

[0010] **U.S. Patent No. 3,377,764 - D. Storch - Issued April 16, 1968** Discloses a bent wire, tie-type anchor for embedment in a facing exterior wythe engaging with a loop attached to a straight wire run in a backup interior wythe.

[0011] **U.S. Patent No. 4,021,990 - B.J. Schwalberg - Issued May 10, 1977** Discloses a dry wall construction system for anchoring a facing veneer to wallboard/metal stud construction with a pronged sheetmetal anchor. Like Storch '764, the wall tie is embedded in the exterior wythe and is not attached to a straight wire run.

[0012] **U.S. Patent No. 4,373,314 - J.A. Allan - Issued February 15, 1983** Discloses a vertical angle iron with one leg adapted for attachment to a stud; and the other having elongated slots to accommodate wall ties. Insulation is applied between projecting vertical legs of adjacent angle irons with slots being spaced away from the stud to avoid the insulation.

[0013] **U.S. Patent No. 4,473,984 - Lopez - Issued October 2, 1984** Discloses a curtain-wall masonry anchor system wherein a wall tie is attached to the inner wythe by a self-tapping screw to a metal stud and to the outer wythe by embedment in a corresponding bed joint. The stud is applied through a hole cut into the insulation.

[0014] **U.S. Patent No. 4,598,518 - R. Hohmann - Issued July 7, 1986** Discloses a dry wall construction system with wallboard attached to the face of studs which, in turn, are attached to an inner masonry wythe. Insulation is disposed between the webs of adjacent studs.

[0015] **U.S. Patent No. 4,865,038 - M.J. Catani - Issued September 26, 1989** Discloses a veneer wall anchor system having in the interior wythe a truss-type anchor, similar to Hala *et al.* '226 *supra*, but with horizontal sheetmetal extensions. The extensions are interlocked with bent wire pintle-type wall ties that are embedded within the exterior wythe.

[0016] **U.S. Patent No. 4,875,319 - R. Hohmann - Issued October 24, 1989** Discloses a seismic construction system for anchoring a facing veneer to wallboard/metal stud construction with a pronged sheetmetal anchor. Wall tie is distinguished over that of Schwalberg '990 and is clipped onto a straight wire run.

64725-1235

5 [0017] **U.S. Patent No. 5,454,200 - R. Hohmann - Issued October 1995** Discloses a facing anchor with straight wire run and mounted along the exterior wythe to receive the open end of wire wall tie with each leg thereof being placed adjacent one side of reinforcement wire. As the eye wires hereof have scaled eyelets or loops and the open ends of the wall ties are sealed in the joints of the exterior wythes, a positive interengagement results.

10 [0018] **U.S. Patent No. 6,668,505 - Hohmann et al. - Issued December 30, 2003** Discloses high-span and high-strength anchors and reinforcement devices for cavity walls combined with interlocking veneer ties are described which utilize reinforcing wire and wire formatives to form facing anchors, truss or ladder reinforcements, and wall anchors providing wire-to-wire connections therebetween.

15 [0019] **U.S. Patent No. 6,789,365 - R. Hohmann et al. - Issued September 14, 2004** Discloses side-welded anchor and reinforcement devices for a cavity wall. The devices are combined with interlocking veneer anchors, and with reinforcements to form unique anchoring systems. The components of each system are structured from reinforcing wire and wire formatives.

20 [0020] **U.S. Patent No. 6,851,239 - Hohmann et al. - Issued February 8, 2005** Discloses a high-span anchoring system described for a cavity wall incorporating a wall reinforcement combined with a wall tie which together serve a wall construct having a larger-than-normal cavity. Further the various embodiments combine wire formatives which are compressively reduced in height by the cold-working thereof. Among the embodiments is a veneer anchoring system with a low-profile wall tie for use in a heavily insulated wall.

[0021] **U.S. Patent No. 7,017,318 - Hohmann - Issued March 28, 2006** Discloses an anchoring system with low-profile wall ties in which insertion portions of the wall anchor and the veneer anchor are compressively reduced in height.

25 [0022] **U.S. Patent No. 7,325,366 - Hohmann - Issued February 5, 2008** Discloses snap-in veneer ties for a seismic construction system in cooperation with low-profile, high-span wall anchors.

SUMMARY

[0024] In general terms, the invention disclosed hereby is a high-strength pullout resistant pintle and an anchoring system utilizing the same for cavity walls having an inner and outer wythe. The system includes a wire-formative veneer tie for emplacement in the outer wythe. The high-strength construction system hereof is applicable to construction of a wall having an inner wythe which can either be of dry wall construction or masonry block and an outer wythe and to insulated and non-insulated structures. The wythes are in a spaced apart relationship and form a cavity therebetween. In the disclosed system, a unique combination of a wall anchor (attachable to either ladder- or truss-type reinforcement for masonry inner wythes or to metal studs of a dry wall construct), a wire veneer tie, and, optionally, a continuous wire reinforcement is provided. The invention contemplates that the veneer ties are wire formatives with high-strength ribbon pintles with securement portions depending into the wall cavity for connections between the veneer tie and the wall anchor.

[0025] In the first embodiment of this invention, the veneer tie is constructed from a wire formative and has configured ribbon pintles that provide a high strength connection, restricting vertical, lateral and horizontal movement when interconnected with a wall anchor and embedded in the bed joint of the outer wythe.

[0026] In the second embodiment, the veneer tie is engaged with a wall anchor that is interconnected with a ladder- or truss-type reinforcement in a manner similar to the wall anchor shown in Hohmann, U.S. Patent No. 6,789,365. The anchor eye wires there extend into the cavity between the wythes. Each pair of eye wires accommodates the interengagement therewith of the high-strength pintles of the veneer ties. The veneer tie is positioned so that the insertion end thereof is embedded in the bed joint of the outer wythe. The construction of the veneer tie results in an orientation upon emplacement so that the widest part of the pintle is subjected to compressive and tensile forces. As the eye wires have sealed eyelets or loops with predetermined dimensions the horizontal movement of the construct is restricted accordingly.

[0027] The second embodiment further includes a dry wall construct inner wythe. Here, the dry-wall anchor is a metal stamping and is attached by sheetmetal screws to the metal vertical channel members of the wall. Each dry-wall anchor accommodates in a horizontally extending portion, the high-strength ribbon pintles of the wire formative veneer tie. The securement portion of the ribbon pintles prevents veneer tie pullout. In this embodiment the insertion end of the veneer tie is then optionally positioned on the outer wythe so that a continuous reinforcement wire can be snapped into and is secured to the outer wythe anchor. The snap-in feature of the anchor here replaces the traditional function of the seismic clip for

64725-1235

accommodating a straight wire run (see U.S. Patent No. 4,875,319) and receiving the open end of the box tie. This anchor and a straight wire run are embedded in the bed joint of the outer wythe.

[0027a] In some embodiments, there is provided a high-strength pintle veneer tie for use with an anchoring system in a wall having an inner wythe and an outer wythe in a spaced apart relationship the one with the other and having a cavity therebetween, said outer wythe formed from a plurality of courses with a bed joint of predetermined height between each two adjacent courses, said bed joint being filled with mortar, said veneer tie comprising: an insertion portion for disposition in said bed joint of said outer wythe, said insertion portion comprising two contiguous hook portions; two cavity portions contiguous with said hook portions; and, two ribbon pintles contiguous with said cavity portions and set opposite said hook portions, wherein said ribbon pintles are compressively reduced, each of said ribbon pintles having a thickness and a width greater than the thickness, the width being substantially parallel to the cavity portions, said ribbon pintles each further comprising: an interengaging portion for disposition within said anchoring system, said interengaging portion rounded at a substantially 90 degree angle; and, a securement portion contiguous with said interengaging portion opposite said cavity portion, said securement portion disposed at a substantially 90 degree angle from said interengaging portion; whereby upon insertion within said anchoring system, said veneer tie restricts lateral, vertical and horizontal movement.

[0027b] In some embodiments, there is provided a high-strength pintle anchoring system for use in a wall having an inner wythe and an outer wythe in a spaced apart relationship the one with the other and having a cavity therebetween, said outer wythe formed from a plurality of courses with a bed joint of predetermined height between each two adjacent courses, said bed joint being filled with mortar, said system comprising: a wall anchor for fixedly attaching to said inner wythe so that a free end thereof extends into said cavity, said free end of said wall anchor comprising: one or more receptor portions for disposing in said cavity, said one or more receptor portions being openings adapted to be disposed substantially horizontal in said cavity; and, a wire-formative veneer tie comprising:

64725-1235

an insertion portion for disposition in said bed joint of said outer wythe, said insertion portion comprising two contiguous hook portions; two cavity portions contiguous with said hook portions; and, two ribbon pintles contiguous with said cavity portions and set opposite said hook portions, wherein said ribbon pintles are compressively reduced, each of said ribbon
5 pintles having a thickness and a width greater than the thickness, the width being substantially parallel to the cavity portions, said ribbon pintles each further comprising: an interengaging portion for disposition within said anchoring system, said interengaging portion rounded at a substantially 90 degree angle; and, a securement portion contiguous with said interengaging portion opposite said cavity portion, said securement portion disposed at a substantially 90
10 degree angle from said interengaging portion; whereby upon insertion within said anchoring system, said veneer tie restricts lateral, vertical and horizontal movement.

BRIEF DESCRIPTION OF THE DRAWINGS

[0036] In the following drawings, the same parts in the various views are afforded the same reference designators.

15 [0037] **FIG. 1** is a perspective view of an anchoring system having a veneer tie with high-strength ribbon pintles of this invention and side-welded wall anchor and shows a wall with an inner wythe of masonry block and an outer wythe of brick veneer;

[0038] **FIG. 2** is a perspective view of the veneer tie of **FIG. 1** showing details of the veneer tie with high-strength pintles secured within a ladder reinforcement anchoring system;

[0039] FIG. 3 is a partial cross-sectional view of the anchoring system of FIG. 1 on a substantially horizontal plane showing the receptor portion of the wall anchor and the pintle of the veneer tie;

[0040] FIG. 4 is a partial cross-sectional view of the anchoring system of FIG. 1 on a substantially vertical plane showing the receptor portion of the wall anchor and the pintle of the veneer tie;

[0041] FIG. 5 is a top plan view of the veneer tie of FIG. 1;

[0042] FIG. 6 is a perspective view of the veneer tie of FIG. 1;

[0043] FIG. 7 is a rear view of the veneer tie of FIG. 1;

[0044] FIG. 8 is a side view of the veneer tie of FIG. 1;

[0045] FIG. 9 is a perspective view of an anchoring system of this invention having a veneer tie with high-strength pullout resistant ribbon pintles of this invention, wherein the building system therefor includes a sheetmetal anchor for a drywall inner wythe;

[0046] FIG. 10 is a perspective view of a sheet metal anchoring system of this invention having a veneer tie interengaged with a sheetmetal wall anchor for mounting on a drywall inner wythe and an outer wythe of brick veneer and a reinforcement wire set within a modified veneer tie;

[0047] FIG. 11 is a cross-sectional view of cold-worked wire used in the formation of the ribbon pintles hereof and showing resultant aspects of continued compression.

DESCRIPTION OF THE PREFERRED EMBODIMENTS

[0048] In the embodiments described herein the pintles of the wire components of the veneer ties are cold-worked or otherwise partially flattened and specially configured resulting in greater tensile and compressive strength and thereby becoming better suited to cavity walls wherein high wind loads or seismic forces are experienced. It has been found that, when the appropriate metal alloy is cold-worked, the desired plastic deformation takes place with a concomitant increase in tensile strength and a decrease in ductility. These property changes suit the application at hand. In deforming a wire with a circular cross-section, the cross-section of the resultant body is substantially semicircular at the outer edges with a rectangular body therebetween. The deformed body has substantially the same cross-sectional area as the original wire. Here, the circular cross-section of a wire provides greater flexural strength than a sheetmetal counterpart.

[0049] Before proceeding to the detailed description, the following definitions are provided. For purposes of defining the invention at hand, a ribbon pintle is a wire formative that

has been compressed by cold working so that the resultant body is substantially semicircular at the edges and has flat surfaces therebetween. In use the rounded edges are aligned so as to receive compressive forces transmitted from the veneer or outer wythe, which forces are generally normal to the facial plane thereof. In the discussion that follows the width of the ribbon pintle is also referred to as the major axis and the thickness is referred to as the minor axis.

[0050] As the compressive forces are exerted on the ribbon edges, the ribbon pintles withstand forces greater than uncompressed pintles formed from the same gage wire. Data reflecting the enhancement represented by the cold-worked ribbon pintles is included hereinbelow.

[0051] The description which follows is of two embodiments of anchoring systems utilizing the high-strength pintle veneer tie devices of this invention, which devices are suitable for nonseismic and seismic cavity wall applications. Although each high-strength veneer tie is adaptable to varied inner wythe structures, the embodiments here apply to cavity walls with masonry block inner wythes, and to a cavity wall with a dry wall (sheetrock) inner wythe. The wall anchor of the first embodiment is adapted from that shown in U.S. Patent No. 6,789,365 of the inventors hereof. For the masonry structures, mortar bed joint thickness is at least twice the thickness of the embedded anchor.

[0052] In accordance, with the *Building Code Requirements for Masonry Structures, ACI 530-05/ASCE 5-05/TMS 402-05*, each wythe of the cavity wall structure is designed to resist individually the effects of the loads imposed thereupon. Further, the veneer (outer wythe) is designed and detailed to accommodate differential movement and to distribute all external applied loads through the veneer to the inner wythe utilizing masonry anchors and ties.

[0053] Referring now to **FIGS. 1 through 8 and 11**, the first embodiment of the anchoring system hereof including a high-strength pullout resistant veneer tie of this invention is shown and is referred to generally by the number **10**. In this embodiment, a wall structure **12** is shown having a backup wall or inner wythe **14** of masonry blocks **16** and a veneer facing or outer wythe **18** of facing brick or stone **20**. Between the backup wall **14** and the facing wall **18**, a cavity **22** is formed, which cavity **22** extends outwardly from the surface **24** of the backup wall **14**. Optionally, the cavity is filled with insulation **23**.

[0054] In this embodiment, successive bed joints **26** and **28** are formed between courses of blocks **16** and the joints are substantially planar and horizontally disposed. Also, successive bed joints **30** and **32** are formed between courses of facing brick **20** and the joints are substantially planar and horizontally disposed. For each structure, the bed joints **26, 28, 30** and

32 are specified as to the height or thickness of the mortar layer and such thickness specification is rigorously adhered to so as to provide the uniformity inherent in quality construction. Selected bed joint **26** and bed joint **30** are constructed to align, that is to be substantially coplanar, the one with the other.

[0055] For purposes of discussion, the exterior surface **24** of the backup wall **14** contains a horizontal line or x-axis **34** and an intersecting vertical line or y-axis **36**. A horizontal line or z-axis **38**, normal to the xy-plane, also passes through the coordinate origin formed by the intersecting x- and y-axes. In the discussion which follows, it will be seen that the various anchor structures are constructed to restrict movement interfacially - wythe vs. wythe - along the z-axis and, in this embodiment, along the x-axis. The device **10** includes a wall anchor **40** constructed for embedment in bed joint **26**, which, in turn, includes a free end **42** with one or more legs or receptor portions **54** extending into cavity **22**. Further, the device **10** includes a wire formative veneer tie or anchor **44** for embedment in bed joint **30**.

[0056] The wall anchor **40** is shown in **FIGS. 1 and 2** as being emplaced on a course of blocks **16** in preparation for embedment in the mortar of bed joint **26**. In the best mode of practicing this embodiment, a truss-type wall reinforcement wire portion **46** is constructed of a wire formative with two parallel continuous straight wire members **48** and **50** spaced so as, upon installation, to each be centered along the outer walls of the masonry blocks **16**. Intermediate wire bodies or cross rods **52** are interposed therebetween and connect wire members **48** and **50** forming truss-like portions of the reinforcement structure **46**. Alternatively, the cross rods are formed in a ladder shaped manner as shown in **FIG. 2**.

[0057] At intervals along the wall reinforcement **46**, spaced pairs of transverse wire members or receptor portions **54** are attached thereto at wire member **48**. Alternatively, as shown in **FIG. 1**, the legs **54** are connected with a rear leg **55** and the rear leg **55** is, in turn, attached to the wall reinforcement **46**. The free end **42** and the receptor portions **54** extend into cavity **22** to the veneer tie **44**. As will become clear by the description which follows, the spacing between the receptor portions **54** is constructed to limit the x-axis movement of the construct. Each receptor portion **54** has at the end opposite the attachment end an eyelet **58** formed contiguously therewith. The eyelet **58** is preferably welded closed, and has a substantially circular opening or elongated oval eye **60**.

[0058] Upon installation, the eye or aperture **60** of eyelet **58** is constructed to be within a substantially horizontal plane normal to exterior surface **24**. The aperture **60** is dimensioned to accept an interconnecting portion or ribbon pintle of the veneer tie or anchor **44** therethrough and has a slightly larger opening than that required to accommodate the pintle and insertion of

the securement portion **81**. The eyelet **58** and aperture **60** are constructed to accept the swinging insertion of the veneer tie **44**. This relationship minimizes the movement of the construct in along a z-vector and in an xz-plane. For positive engagement, the aperture **60** of eyelet **58** is sealed, through welding or similar method, forming a closed loop.

[0059] The veneer tie **44** is more fully shown in **FIGS. 2 and 5 through 8**. The veneer tie **44**, when viewed from a top or bottom elevation, is a modified U-shaped design and is dimensioned to be accommodated by the pair of eyelets **58** previously described. The tie **44** is constructed from mill galvanized, hot-dip galvanized, stainless steel or other similar high-strength material and has an insertion portion **74** comprising two contiguous hook portions **76** for disposition in the bed joint **30**, two ribbon pintles **62, 64**, each forming an interengaging portion **63** and a securement portion **81** for disposition in the receptors **58**, and two cavity portions **65, 66** that engage the anchor **40** by connecting the insertion portion **74** and the interengaging portion **63**. The insertion portion **74** is configured to maximize surface contact with the mortar in the bed joint **30**. The insertion portion **74** has two hooks **76** that extend from the cavity portions **65, 66** and are contiguous and interconnected. The interengaging portion **63** is rounded at a substantially 90 degree angle and contiguous with the securement portion **81** which is disposed at a substantially 90 degree angle from the interengaging portion **63**. The ribbon pintles **62, 64** are dimensioned to be received within the receptor portions **54** through compression or by swinging the veneer tie **44** into the receptor portions **54**. The securement portion **81** is dimensioned to be greater than the diameter of each opening of the receptor portion **54**. Once secured within the receptor portions **54**, the veneer tie **44** restricts lateral, vertical and horizontal movement.

[0060] The veneer tie **44** is a wire formative and has compressively reduced ribbon pintles **62, 64** formed by compressively reducing the interengaging portion **63** of the veneer tie **44**. Each ribbon pindle **62, 64** is dimensioned to closely fit one of the receptor portion **54** openings **58**. As more clearly seen in **FIGS. 3 and 4**, the ribbon pintles **62, 64** have been compressively reduced so that, when viewed as installed, the cross-section taking in a horizontal or an xz-plane that includes the longitudinal axis of the receptor **58** shows the greatest dimension substantially oriented along a z-vector. Similarly, when viewed as installed, the cross-section taking in a vertical plane that includes the longitudinal axis of the wire member **54** shows the major axis dimension substantially oriented along a z-vector.

[0061] The insertion portion **74** is optionally configured (as shown in **FIG. 10**) to accommodate therewithin a reinforcement wire or straight wire member **171** of predetermined diameter. The insertion portion **174** twists around the reinforcement wire **171** to clamp the wire

171 into place using housings containing clamping jaws **179** which are spaced to require an insertion force from 5 to 10 lbs. With this configuration, the bed joint height specification is readily maintained.

[0062] The cross-sectional illustrations show the manner in which wythe-to-wythe and side-to-side movement is limited by the close fitting relationship between the compressively reduced pintles and the receptor openings. The minor axis of the compressively reduced pindle **62** is optimally between 30 to 75% of the diameter of the 0.172- to 0.312 inch wire formative and when reduced by one-third has a tension and compression rating of at least 130% of the original wire formative material. The pindle, once compressed, is ribbon-like in appearance; however, maintains substantially the same cross sectional area as the wire formative body.

[0063] The description which follows is of a second embodiment of the high-strength pindle anchoring system. For ease of comprehension, where similar parts are used reference designators "**100**" units higher are employed. Thus, the veneer tie **144** of the second embodiment is analogous to the veneer tie **44** of the first embodiment.

[0064] Referring now to **FIGS. 9 through 11**, the second embodiment of the high-strength pindle anchoring system is shown and is referred to generally by the numeral **110**. The system **110** employs a sheetmetal wall anchor **140**. The dry wall structure **112** is shown having an interior wythe **114** with wallboard **116** as the interior and exterior facings thereof. An exterior or outer wythe **118** of facing brick **120** is attached to dry wall structure **112** and a cavity **122** is formed therebetween. The dry wall structure **112** is constructed to include, besides the wallboard facings **116**, vertical channels **124** with insulation layers **126** disposed between adjacent channel members **124**. Selected bed joints **128** and **130** are constructed to be in cooperative functional relationship with the veneer tie described in more detail below.

[0065] For purposes of discussion, the exterior surface **125** of the interior wythe **114** contains a horizontal line or x-axis **134** and an intersecting vertical line or y-axis **136**. A horizontal line or z-axis **138** also passes through the coordinate origin formed by the intersecting x- and y-axes. The system **110** includes a dry wall anchor **140** constructed for attachment to vertical channel members **124**, for embedment in joint **130** and for interconnecting with the veneer tie **144**.

[0066] Reference is now directed to the L-shaped, surface-mounted sheetmetal bracket or wall anchor **140** comprising a mounting portion or base plate member **146** and free end projecting or extending portion **148** into the cavity **122** with a pindle-receiving portion. The projecting or extending portion **148** is contiguous with the base plate member **146** so as to have, upon installation, a horizontally disposed elongated aperture **150** which, as best seen in **FIG. 10**,

provides for wire-tie-receiving receptors **151**. The aperture **150** is formed in plate member **148**. Upon installation, the projecting portion **148** is thus disposed substantially at right angles with respect to the plate member **146**. To ease tolerance receptors **151** may be slightly elongated along the x-axis thereof. The plate member **146** is also provided with mounting holes **156** at the upper and lower ends thereof.

[0067] As is best seen in **FIG. 10**, the projecting portion **148** is spaced from the plate member **146** and adapted to receive the pintles **162, 164** of veneer tie **144** therewithin. In the fabrication of the dry wall as the inner wythe of this construction system **110**, the channel members **124** are initially secured in place. In this regard, the channel members **124** may also comprise the standard framing member of a building. Sheets of exterior wallboard **116**, which may be of an exterior grade gypsum board, are positioned in abutting relationship with the forward flange of the channel member **124**. While the insulating layer **126** is shown as panels dimensioned for use between adjacent column **124**, it is to be noted that any similarly suited rigid or flexible insulating material may be used herein with substantially equal efficacy.

[0068] After the initial placement of the flexible insulation layer **126** and the wallboard **116**, the veneer anchors **140** are secured to the surface of the wallboard **116** in front of channel members **124**. Thereafter, sheetmetal screws **127** are inserted into the mounting holes **156** to fasten the anchor **140** to the channel member **124**.

[0069] The veneer tie **144** when viewed from a top or bottom elevation, is a modified U-shaped design and is dimensioned to be accommodated by the receptor **151** previously described. The tie **144** has an insertion portion **174** with two contiguous hook portions **176** for disposition in the bed joint **130**, one or more ribbon pintles **162, 164**, each forming an interengaging portion **163** and a securement portion **181** for disposition in the receptors **150**, two cavity portions **165, 160** that engages the anchor **140** by connecting the insertion portion **174** and the interengaging portion **163**. The insertion portion **174** is configured to maximize surface contact with the mortar in the bed joint **130**. The tie **144** is constructed from mill galvanized, hot-dip galvanized, stainless steel or other similar high-strength material. The interengaging portion **163** is rounded at a substantially 90 degree angle and contiguous with the securement portion **181** which is disposed at a substantially 90 degree angle from the interengaging portion **163**. The ribbon pintles **162, 164** are dimensioned to be received within the receptor **151** through compression or by swinging the veneer tie **144** into the receptor **151**. The distance between the securement portions **181** is dimensioned to be greater than the diameter of the receptor **151**. Once secured within the receptor **151**, the veneer tie **144** restricts lateral, vertical and horizontal movement.

[0070] The veneer tie **144** is a wire formative and has compressively reduced ribbon pintles **162**, **164** formed by compressively reducing the interengaging portion **163** of the veneer tie **144**. Each ribbon pintle **162**, **164** is dimensioned to closely fit within the receptor **151**. The ribbon pintles **162**, **164** have been compressively reduced so that, when viewed as installed, the cross-section taking in a horizontal or an xz-plane that includes the longitudinal axis of the receptor shows the greatest dimension substantially oriented along a z-vector. The minor axis of the compressively reduced pintle **162** is optimally between 30 to 75% of the diameter of the receptor **150** and results in a veneer tie having compressive/tensile strength 130% of the original 0.172- to 0.312-inch wire formative material. The pintle, once compressed, is ribbon-like in appearance; however, maintains substantially the same cross sectional area as the wire formative body.

[0071] The ribbon pintles **162** and **164** of veneer tie **144** are considerably compressed and while maintaining the same mass of material per linear unit as the adjacent wire formative, a thick ribbon is produced. The resultant width or major axis of the ribbon pintles **162** and **164** are increased so that, upon installation, the widths are dimensioned to have a close fitting relationship with receptor **151**. The cold working enhances the mounting strength of veneer tie **144** and resist force vectors along the z-axis **138**. The insertion portion of the veneer tie is considerably compressed with the vertical height being reduced. The insertion portion of the veneer tie has been strengthened in several ways. First, in place of the standard 9-gage (0.148-inch diameter) wall reinforcement wire, a 0.172- to 0.312-inch (0.187-inch diameter) wire is used. As a general rule, compressive reductions up to 75% are utilized and calculations are based thereon.

[0072] The insertion portion **174** is optionally configured to accommodate therewithin a reinforcement wire or straight wire member **171** of predetermined diameter. The insertion portion **174** twists around the reinforcement wire **171** to clamp the wire **171** into place using housings with clamping jaws **179** which are spaced to require an insertion force from 5 to 10 lbs. With this configuration the bed joint height specification is readily maintained. As differentiated from the first two embodiments, the dry wall construction system **110** provides for the structural integrity by the securement of the veneer anchor construction to the channel member. The anchoring system hereof meets building code requirements for seismic construction and the wall structure reinforcement of both the inner and outer wythes exceeds the testing standards therefor.

[0073] In FIG. 11, the compression of wire formatives is shown schematically. For purposes of discussion, the elongation of the compressed wire is disregarded as the elongation is

negligible and the cross-sectional area of the construct remains substantially constant. Here, the veneer tie **144** is formed from 0.172- to 0.312-inch diameter wire and the ribbon pintles **162, 164** are reduced up to 75% of original diameter to a thickness of 0.113- to 0.187-inches.

[0074] Analytically, the circular cross-section of a wire provides greater flexural strength than a sheetmetal counterpart. In the embodiments described herein the ribbon pintle components of the veneer tie **144** is cold-worked or partially flattened so that the specification is maintained and high-strength ribbon pintles are provided. It has been found that, when the appropriate metal alloy is cold-worked, the desired plastic deformation takes place with a concomitant increase in tensile strength and a decrease in ductility. These property changes suit the application at hand. In deforming a wire with a circular cross-section, the cross-section of the resultant body is substantially semicircular at the outer edges with a rectangular body therebetween, **FIG. 11**. The deformed body has substantially the same cross-sectional area as the original wire. In each example in **FIG. 11**, progressive deformation of a wire is shown. Disregarding elongation and noting the prior comments, the topmost portion shows the original wire having a radius, $r_1=1$; and area, $A_1=\Pi$; length of deformation, $L=0$; and a diameter, D_1 . Upon successive deformations, the illustrations shows the area of circular cross-section bring progressively $\frac{1}{2}$, $\frac{3}{8}$ and $\frac{1}{4}$ of the area, A_1 , or $A_2=\frac{1}{2}\Pi$; $A_3=\frac{3}{8}\Pi$; and $A_4=\frac{1}{4}\Pi$, respectively. With the first deformation, the rectangular portion has a length $L=1.11r$ (in terms of the initial radius of 1); a height, $h_2=1.14$; ($D_2=0.71D_1$, where D =diameter); and therefore has an area of approximately $\frac{1}{2}\Pi$. Likewise, with the second deformation, the rectangular portion has a length, $L=1.38r$; a height, $h_3=1.14$; a diameter $D_3=0.57D_1$; and therefore has an area of approximately $\frac{5}{8}\Pi$. Yet again, with the third deformation, the rectangular portion has a length, $L=2.36r$; a height $h_4=1$; a diameter, degree of plastic deformation to remain at a 0.300 inch (approx.) combined height for the truss and wall tie can, as will be seen hereinbelow, be used to optimize the high-strength ribbon pintle anchoring system.

[0075] In testing the high-strength veneer tie described hereinabove, the test protocol is drawn from ASTM Standard E754-80 (Reapproved 2006) entitled, *Standard Test Method for Pullout Resistance of Ties and Anchors Embedded in Masonry Mortar Joints*. This test method is promulgated by and is under the jurisdiction of ASTM Committee E06 on Performance of Buildings and provides procedures for determining the ability of individual masonry ties and anchors to resist extraction from a masonry mortar joint.

[0076] In forming the ribbon pintles, the wire body of up to 0.375-inch in diameter is compressed up to 75% of the wire diameter. When compared to standard, wire formatives having diameters in the 0.172- to 0.195-inch range, a ribbon pintle reduced by one-third from

the same stock as the standard tie showed upon testing a tension and compression rating that was at least 130% of the rating for the standard tie.

[0077] Because many varying and different embodiments may be made within the scope of the inventive concept herein taught, and because many modifications may be made in the embodiments herein detailed in accordance with the descriptive requirement of the law, it is to be understood that the details herein are to be interpreted as illustrative and not in a limiting sense.

64725-1235

CLAIMS:

1. A high-strength pintle veneer tie for use with an anchoring system in a wall having an inner wythe and an outer wythe in a spaced apart relationship the one with the other and having a cavity therebetween, said outer wythe formed from a plurality of courses with a bed joint of predetermined height between each two adjacent courses, said bed joint being
5 filled with mortar, said veneer tie comprising:
- an insertion portion for disposition in said bed joint of said outer wythe, said insertion portion comprising two contiguous hook portions;
- two cavity portions contiguous with said hook portions; and,
- 10 two ribbon pintles contiguous with said cavity portions and set opposite said hook portions, wherein said ribbon pintles are compressively reduced, each of said ribbon pintles having a thickness and a width greater than the thickness, the width being substantially parallel to the cavity portions, said ribbon pintles each further comprising:
- an interengaging portion for disposition within said anchoring system, said
15 interengaging portion rounded at a substantially 90 degree angle; and,
- a securement portion contiguous with said interengaging portion opposite said cavity portion, said securement portion disposed at a substantially 90 degree angle from said interengaging portion;
- whereby upon insertion within said anchoring system, said veneer tie restricts
20 lateral, vertical and horizontal movement.
2. A high-strength pintle veneer tie as described in Claim 1 wherein said ribbon pintles are compressively reduced in thickness by up to 75% of an original diameter thereof.
3. A high-strength pintle anchoring system as described in Claim 2, wherein said ribbon pintles are fabricated from 0.172- to 0.312-inch diameter wire and when reduced by

64725-1235

one-third have a tension and compression rating at least 130% of the rating for a non-reduced pintle.

4. A high-strength pintle veneer tie as described in Claim 2 wherein said insertion portion is fabricated from 0.172- to 0.312-inch diameter wire and wherein said wire formative
5 is compressively reduced to a height of between 0.162 to 0.187 inches.

5. A high-strength pintle veneer tie as described in Claim 4 wherein said veneer tie insertion portion further comprises one or more housings each having a clamping jaw for receiving a reinforcement wire whereby, upon installation of said veneer tie in said anchoring system with said reinforcing wire in said outer wythe, said system provides a high degree of
10 seismic protection.

6. A high-strength pintle anchoring system for use in a wall having an inner wythe and an outer wythe in a spaced apart relationship the one with the other and having a cavity therebetween, said outer wythe formed from a plurality of courses with a bed joint of predetermined height between each two adjacent courses, said bed joint being filled with
15 mortar, said system comprising:

a wall anchor for fixedly attaching to said inner wythe so that a free end thereof extends into said cavity, said free end of said wall anchor comprising:

one or more receptor portions for disposing in said cavity, said one or more receptor portions being openings adapted to be disposed substantially horizontal in said
20 cavity; and,

a wire-formative veneer tie comprising:

an insertion portion for disposition in said bed joint of said outer wythe, said insertion portion comprising two contiguous hook portions;

two cavity portions contiguous with said hook portions; and,

64725-1235

two ribbon pintles contiguous with said cavity portions and set opposite said hook portions, wherein said ribbon pintles are compressively reduced, each of said ribbon pintles having a thickness and a width greater than the thickness, the width being substantially parallel to the cavity portions, said ribbon pintles each further comprising:

5 an interengaging portion for disposition within said anchoring system, said interengaging portion rounded at a substantially 90 degree angle; and,

a securement portion contiguous with said interengaging portion opposite said cavity portion, said securement portion disposed at a substantially 90 degree angle from said interengaging portion;

10 whereby upon insertion within said anchoring system, said veneer tie restricts lateral, vertical and horizontal movement.

7. A high-strength pintle anchoring system as described in Claim 6 wherein said one or more receptor portions further comprise two eyelets spaced apart at a predetermined interval and disposed substantially horizontally in said cavity.

15 8. A high-strength pintle anchoring system as described in Claim 7 wherein each of said ribbon pintles is dimensioned to closely fit one of said openings of said one or more receptor portions; and,

wherein each of said two eyelets is welded closed and has a substantially circular opening therethrough with a predetermined diameter.

20 9. A high-strength pintle anchoring system as described in Claim 8 wherein said inner wythe is formed from successive courses of masonry block with a bed joint of predetermined height between each two adjacent courses and having a reinforcement ladder or truss in said bed joint, said wall anchor further comprising:

25 a wire formative fixedly attached to said reinforcement having at least two legs extending into and terminating within said cavity.

64725-1235

10. A high-strength pintle anchoring system as described in Claim 9 wherein the length of each said securement portion is dimensioned to be greater than the diameter of each said opening of said one or more receptor portions.

11. A high-strength pintle anchoring system as described in Claim 10 wherein a
5 width of said ribbon pintles is in a close fitting functional relationship with said diameter of said eyelet.

12. A high-strength pintle anchoring system as described in Claim 11 wherein the widths of said ribbon pintles are substantially parallel to the longitudinal axes of said legs of said wall anchor; and,

10 wherein said ribbon pintles are compressively reduced in thickness up to 75% of an original diameter thereof.

13. A high-strength pintle anchoring system as described in Claim 6 wherein said inner wythe is a dry wall structure having wallboard panels mounted on columns or framing members, said wall anchor further comprising:

15 a surface-mounted sheetmetal bracket fixedly attached to said columns of said inner wythe, said sheetmetal bracket being L-shaped and having a mounting portion and an extending portion for extending substantially horizontally into said cavity, said extending portion with said one or more receptor portions therethrough.

14. A high-strength pintle anchoring system as described in Claim 13 wherein said
20 one or more receptors further comprise an elongated aperture.

15. A high-strength pintle anchoring system as described in Claim 14 wherein said elongated aperture is shaped substantially similar to the cross section of said ribbon pintles; and

25 wherein the width of said ribbon pintles is in a close fitting functional relationship with the opening of said aperture and the widths of said ribbon pintles are substantially normal to said wallboard panels.

64725-1235

16. A high-strength pintle anchoring system as described in Claim 15 wherein the distance between each said securement portion is dimensioned to be greater than the diameter of each said opening of said one or more receptor portions.

17. A high-strength pintle anchoring system as described in Claim 16, wherein said
5 anchoring system further comprises:

a reinforcement wire disposed in said bed joint; and, wherein said veneer tie insertion portion further comprises:

one or more housings each having a clamping jaw for receiving said
reinforcement wire;

10 whereby, upon installation of said anchoring system with an interconnected reinforcing wire in said outer wythe, said system provides a high degree of seismic protection

18. A high-strength pintle anchoring system as described in Claim 17 wherein said ribbon pintles are compressively reduced in thickness up to 75% of an original diameter thereof.

15 19. A high-strength pintle anchoring system as described in Claim 18, wherein said ribbon pintles are fabricated from 0.172- to 0.312-inch diameter wire and when reduced by one-third have a tension and compression rating at least 130% of the rating for a non-reduced pintle.

20. A high strength pintle veneer tie as described in claim 1 wherein the cavity
20 portions are free of compressive reduction.

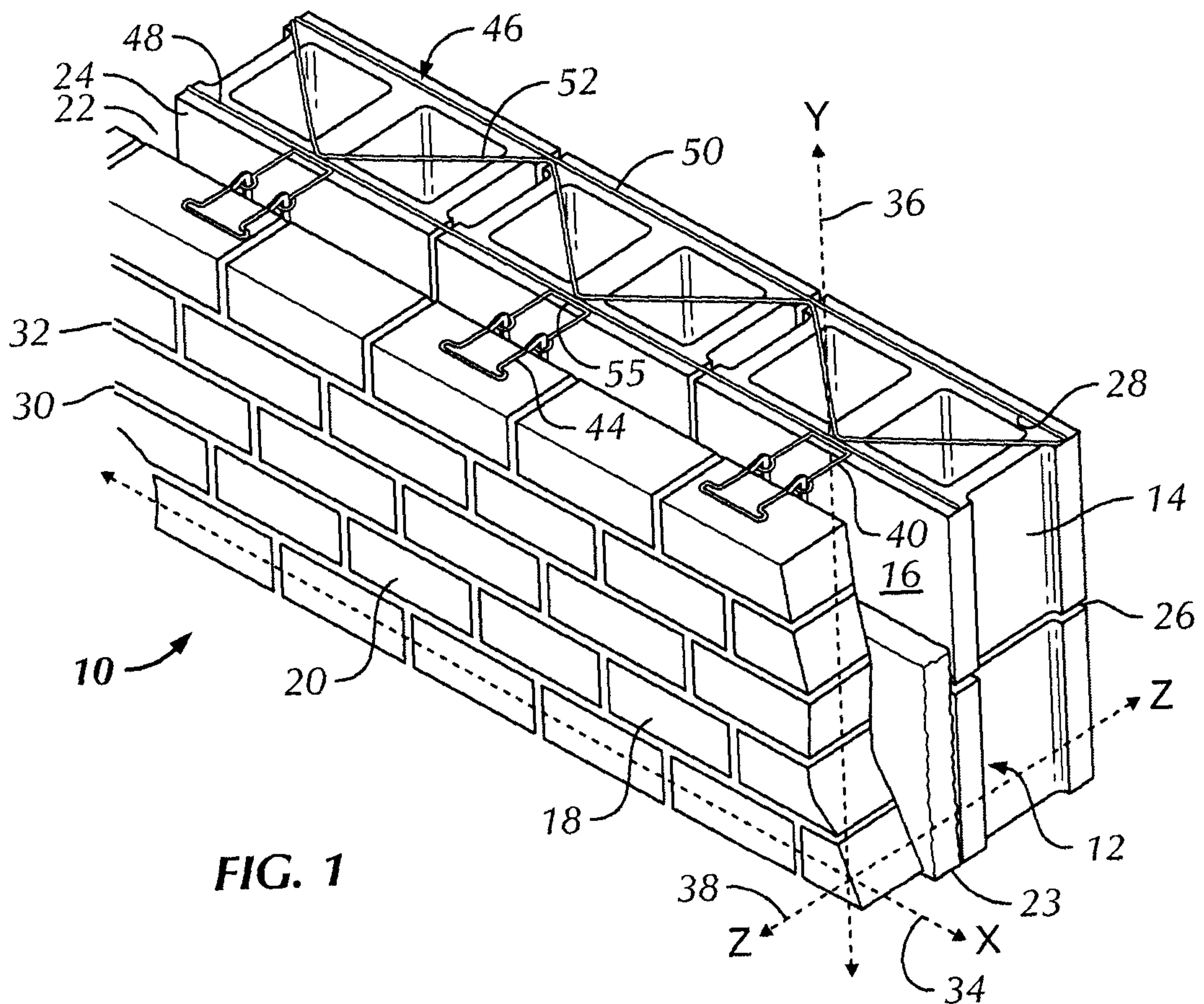


FIG. 1

2/7

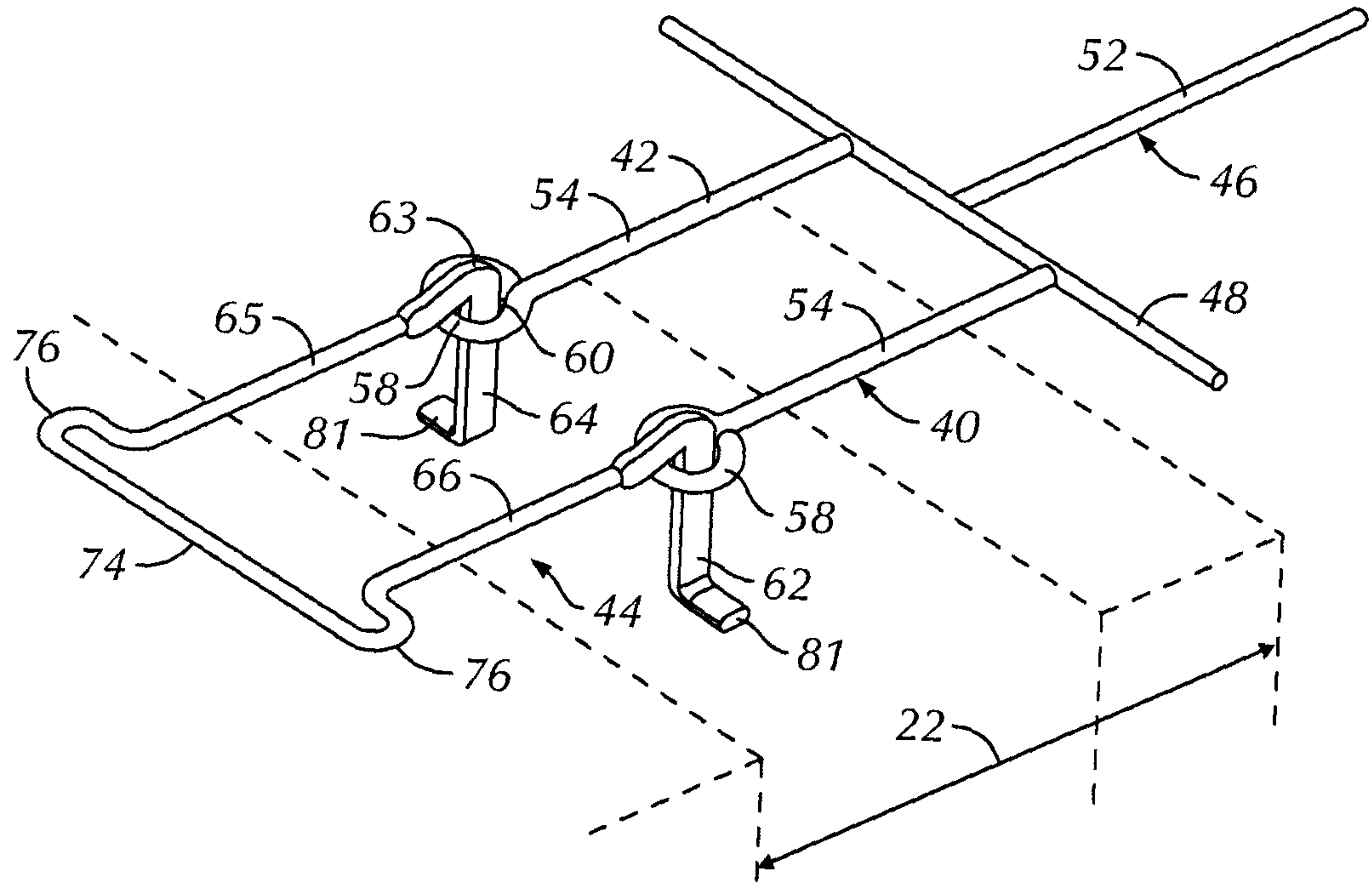


FIG. 2

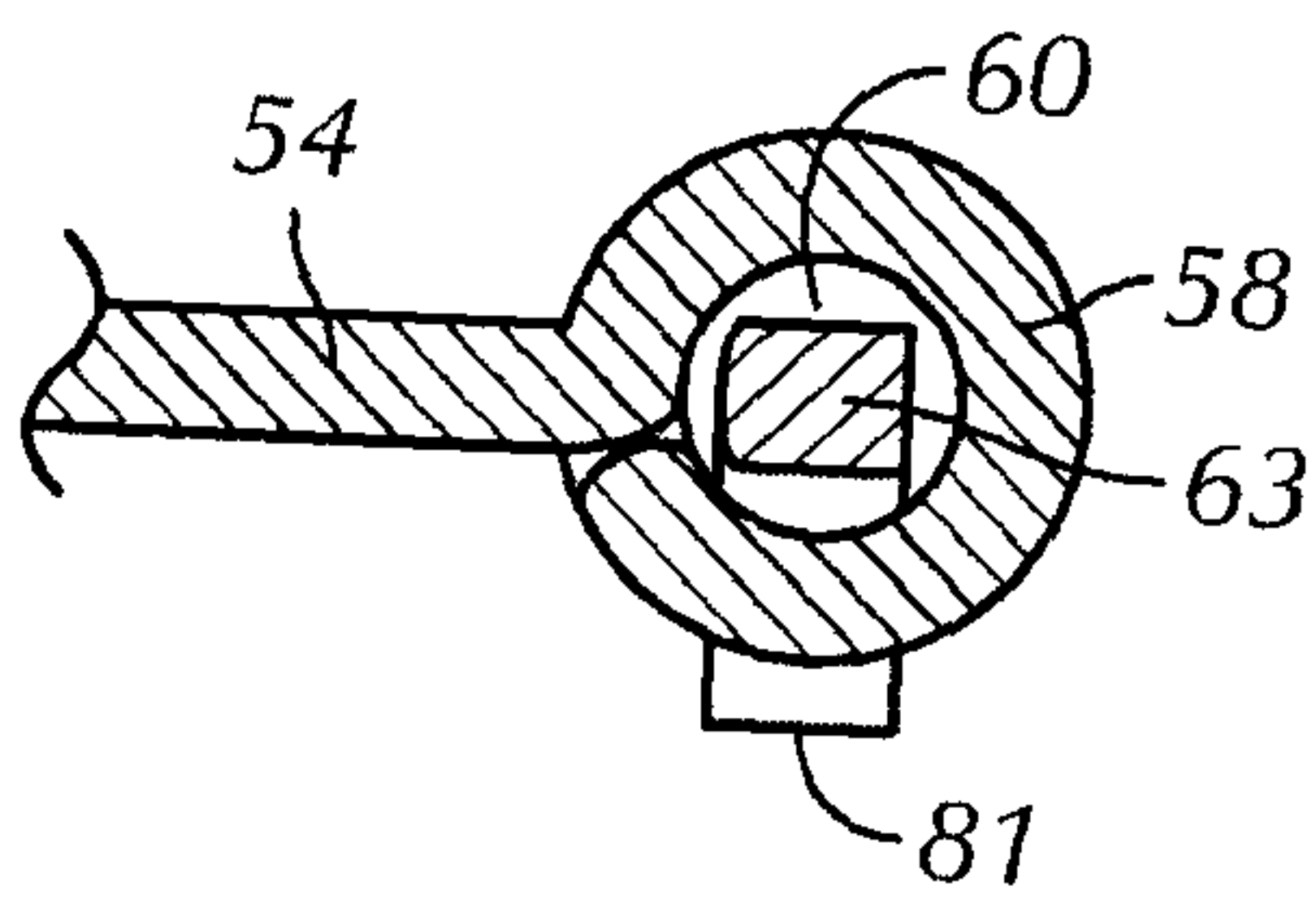


FIG. 3

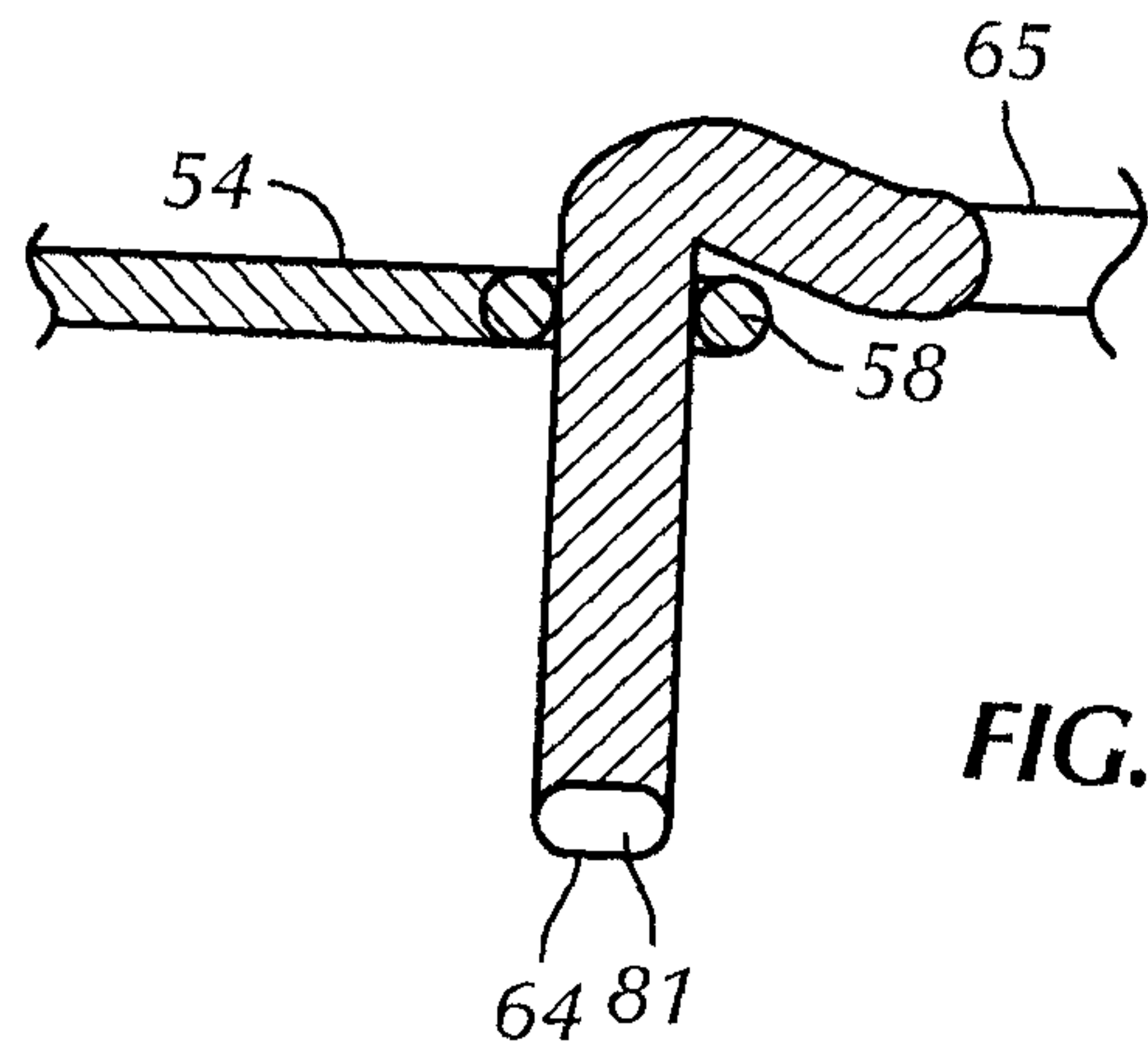


FIG. 4

3/7

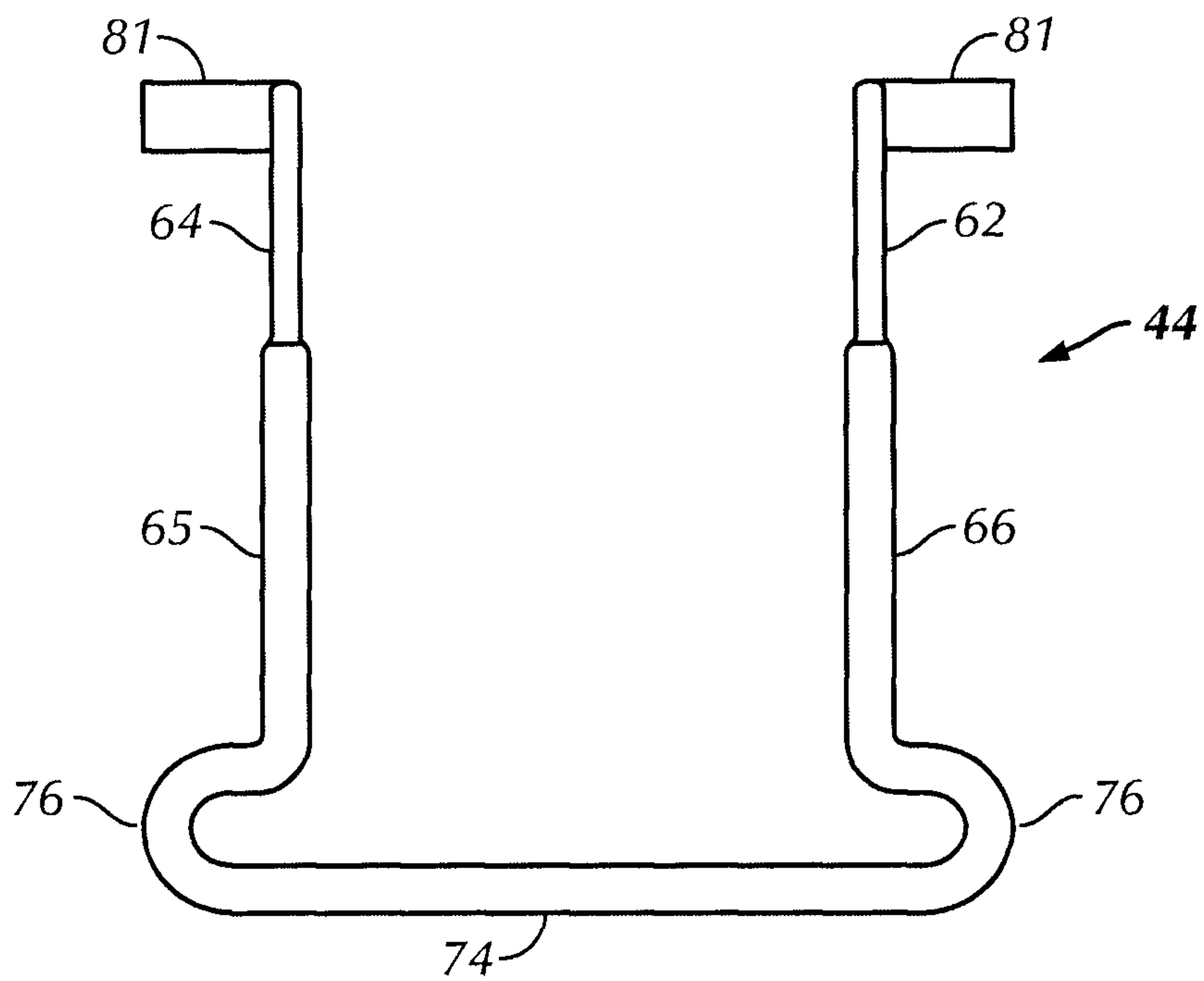


FIG. 5

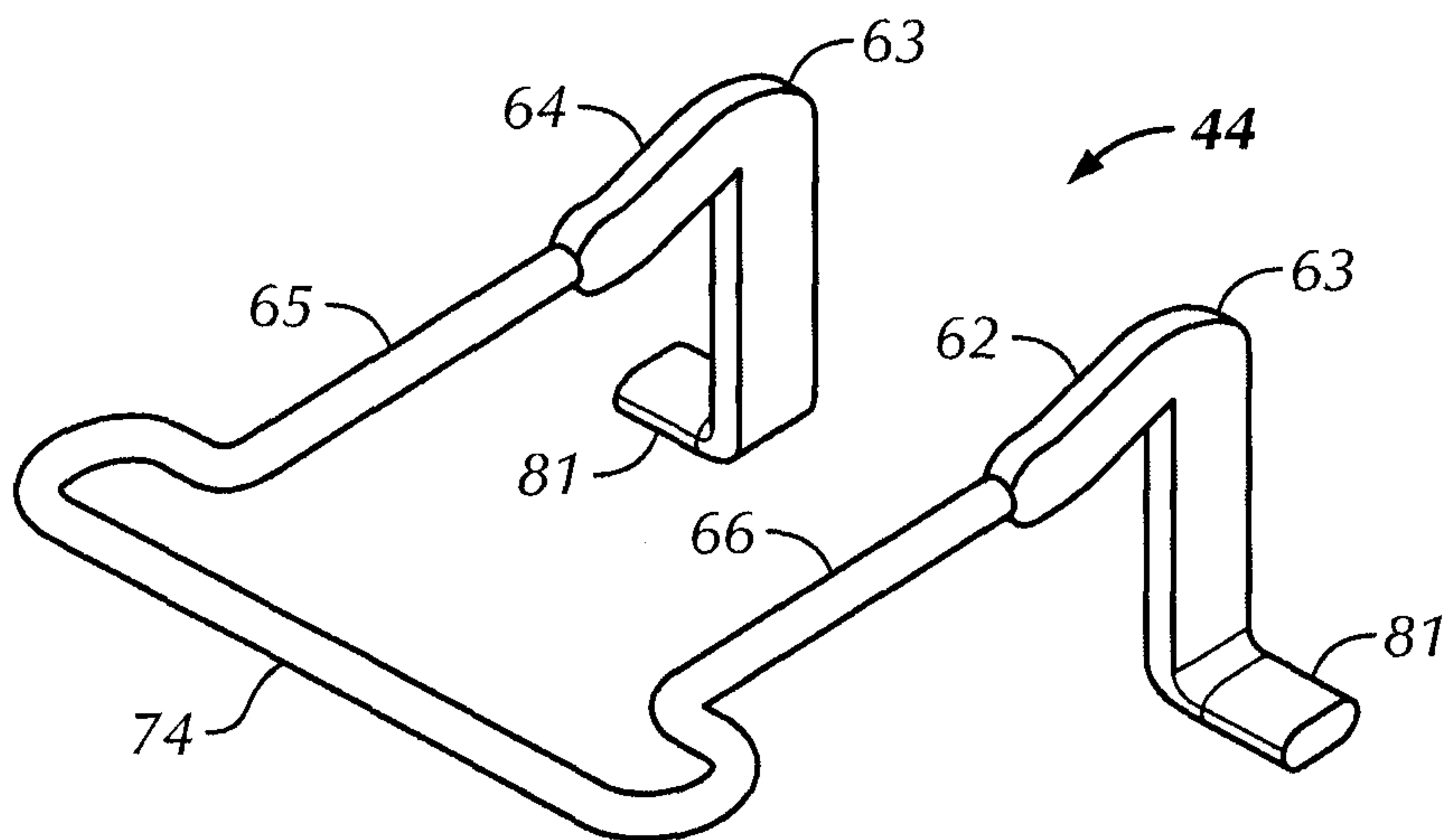


FIG. 6

4/7

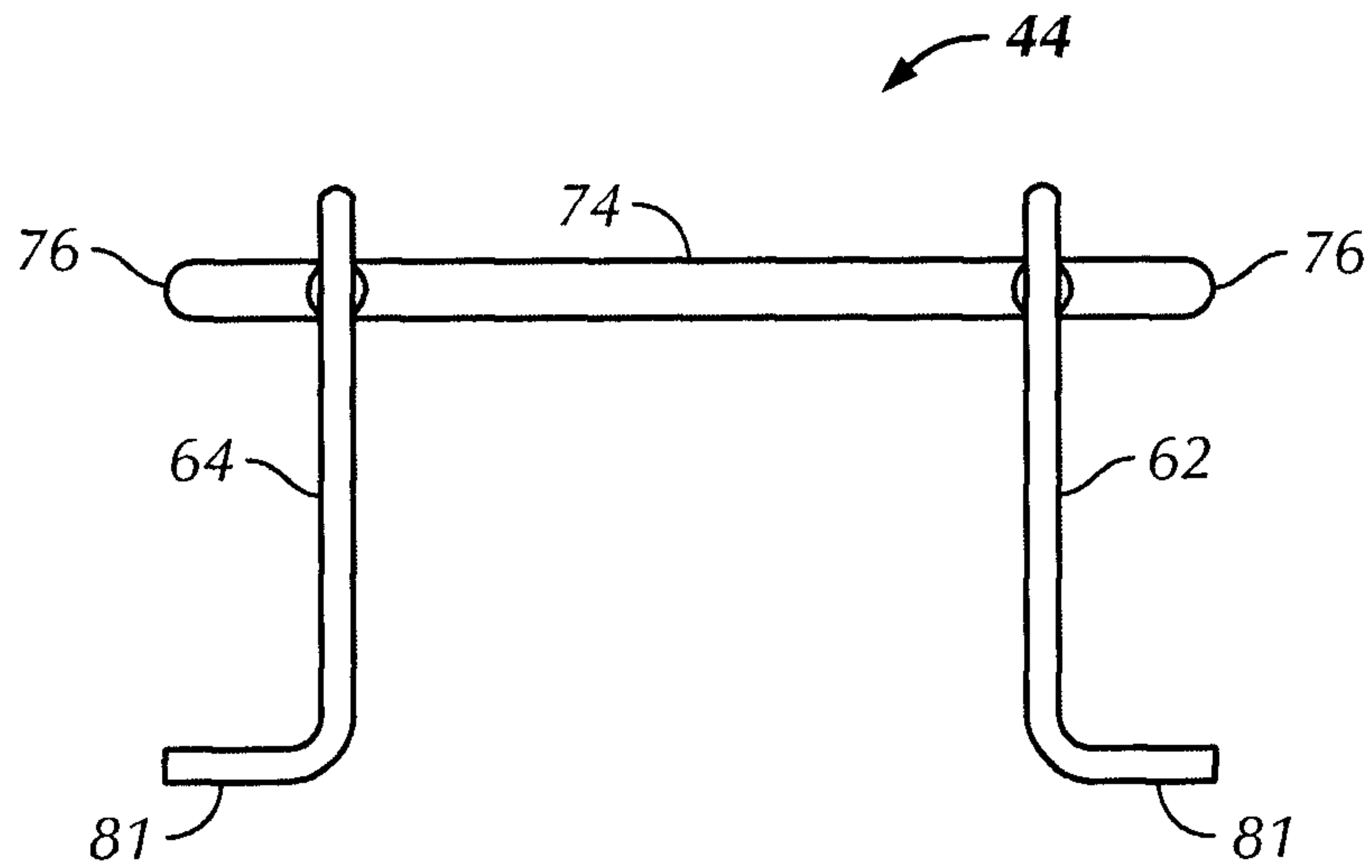


FIG. 7

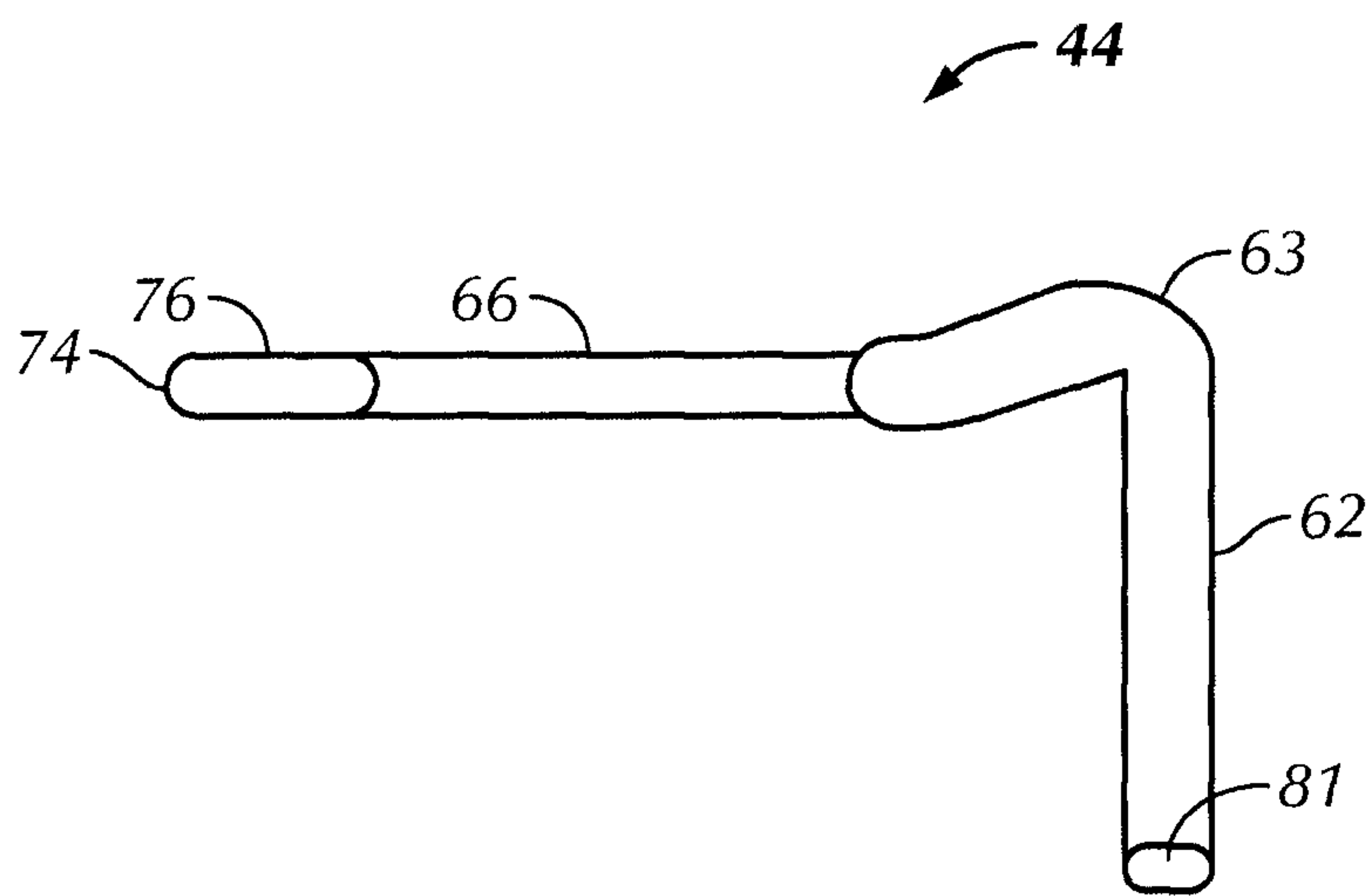


FIG. 8

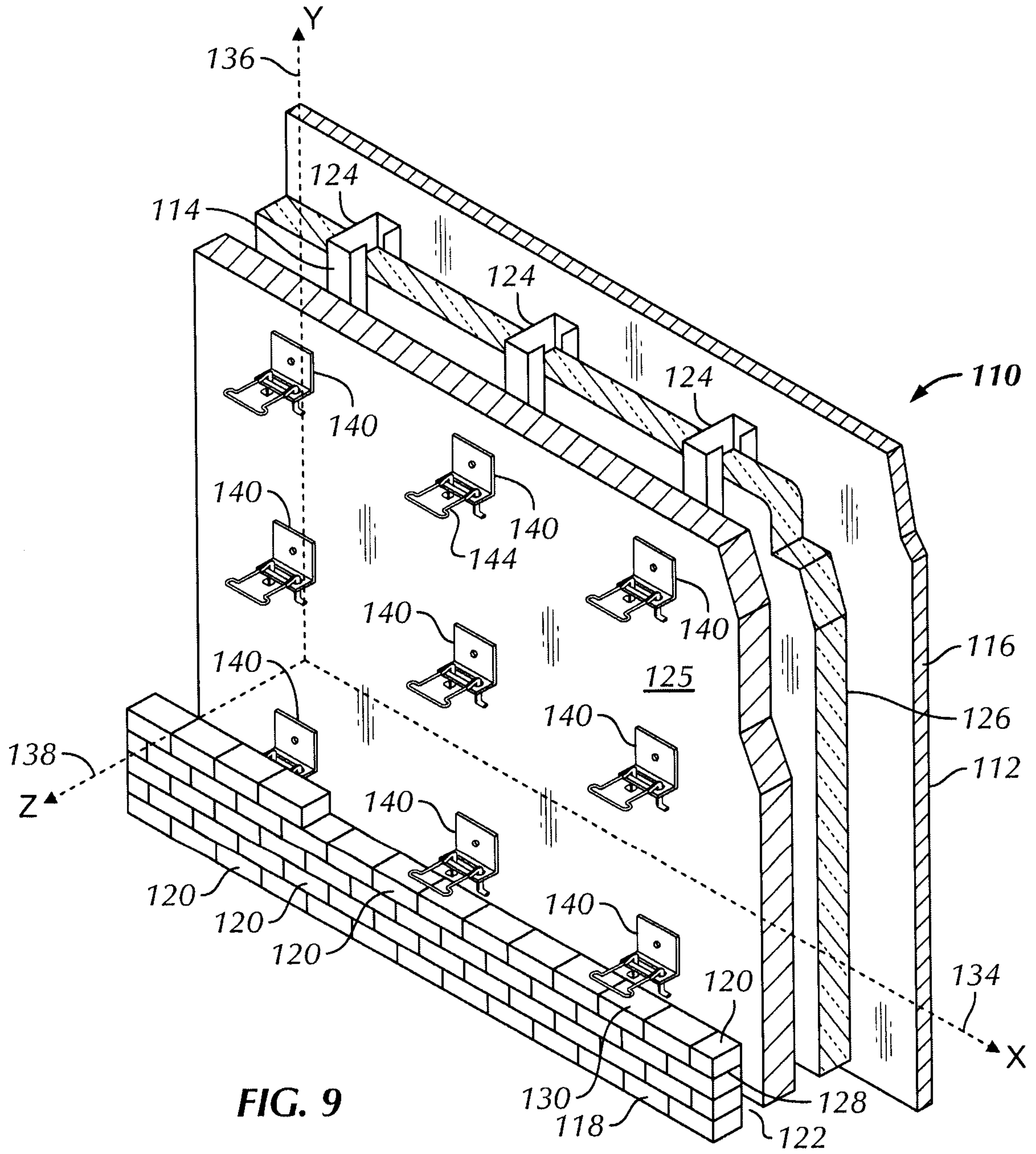


FIG. 9

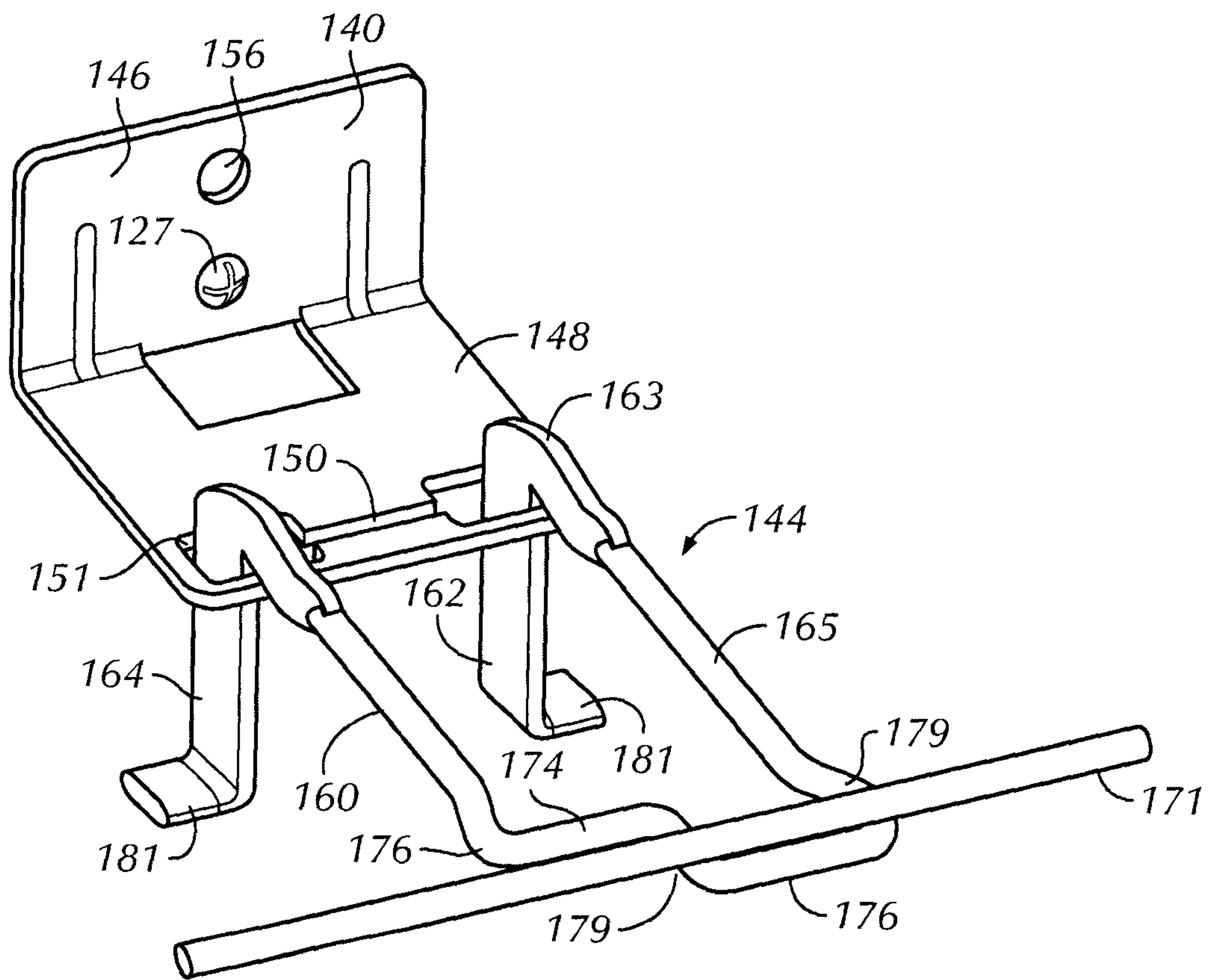


FIG. 10

7/7

