



(43) International Publication Date
16 January 2014 (16.01.2014)

- (51) International Patent Classification:
A01J 9/00 (2006.01) *A01J 11/00* (2006.01)
- (21) International Application Number:
PCT/EP2013/064178
- (22) International Filing Date:
4 July 2013 (04.07.2013)
- (25) Filing Language: English
- (26) Publication Language: English
- (30) Priority Data:
1250827-1 13 July 2012 (13.07.2012) SE
- (71) Applicant: TETRA LAVAL HOLDINGS & FINANCE
S.A. [CH/CH]; 70, Avenue Général-Guisan, CH-1009
Pully (CH).
- (72) Inventor: LEUFSTEDT, Max; Leifs Väg 16, S-237 31
Björred (SE).
- (74) Agent: ASSOCIATION "TETRA PAK - ATTORNEYS
SE"; AB Tetra Pak, Patent Department, Ruben Rausings
gata, S-22186 Lund (SE).
- (81) Designated States (*unless otherwise indicated, for every
kind of national protection available*): AE, AG, AL, AM,
AO, AT, AU, AZ, BA, BB, BG, BH, BN, BR, BW, BY,
BZ, CA, CH, CL, CN, CO, CR, CU, CZ, DE, DK, DM,
DO, DZ, EC, EE, EG, ES, FI, GB, GD, GE, GH, GM, GT,
HN, HR, HU, ID, IL, IN, IS, JP, KE, KG, KN, KP, KR,
KZ, LA, LC, LK, LR, LS, LT, LU, LY, MA, MD, ME,
MG, MK, MN, MW, MX, MY, MZ, NA, NG, NI, NO, NZ,
OM, PA, PE, PG, PH, PL, PT, QA, RO, RS, RU, RW, SC,
SD, SE, SG, SK, SL, SM, ST, SV, SY, TH, TJ, TM, TN,
TR, TT, TZ, UA, UG, US, UZ, VC, VN, ZA, ZM, ZW.
- (84) Designated States (*unless otherwise indicated, for every
kind of regional protection available*): ARIPO (BW, GH,
GM, KE, LR, LS, MW, MZ, NA, RW, SD, SL, SZ, TZ,
UG, ZM, ZW), Eurasian (AM, AZ, BY, KG, KZ, RU, TJ,
TM), European (AL, AT, BE, BG, CH, CY, CZ, DE, DK,

[Continued on next page]

(54) Title: A HOLDING TANK, A DISTRIBUTION DEVICE, AND A HOLDING TANK SYSTEM

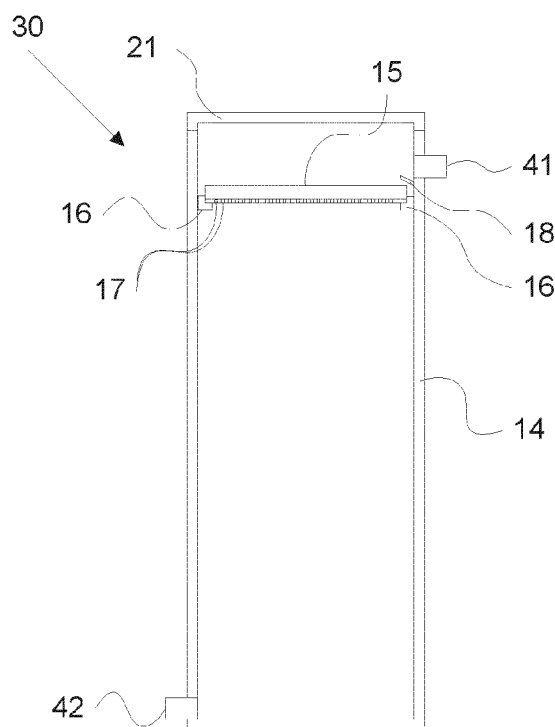


Fig. 4

(57) Abstract: A holding tank (30, 40) for replacing a commonly known holding cell is provided. A system, a distribution device (15) and liquid directing element (18) is also provided.



EE, ES, FI, FR, GB, GR, HR, HU, IE, IS, IT, LT, LU,
LV, MC, MK, MT, NL, NO, PL, PT, RO, RS, SE, SI, SK,
SM, TR), OAPI (BF, BJ, CF, CG, CI, CM, GA, GN, GQ,
GW, KM, ML, MR, NE, SN, TD, TG).

— before the expiration of the time limit for amending the
claims and to be republished in the event of receipt of
amendments (Rule 48.2(h))

Published:

— with international search report (Art. 21(3))

(88) Date of publication of the international search report:
15 May 2014

INTERNATIONAL SEARCH REPORT

International application No.
PCT/EP2013/064178

Box No. II Observations where certain claims were found unsearchable (Continuation of item 2 of first sheet)

This international search report has not been established in respect of certain claims under Article 17(2)(a) for the following reasons:

1. Claims Nos.:
because they relate to subject matter not required to be searched by this Authority, namely:

2. Claims Nos.:
because they relate to parts of the international application that do not comply with the prescribed requirements to such an extent that no meaningful international search can be carried out, specifically:

3. Claims Nos.:
because they are dependent claims and are not drafted in accordance with the second and third sentences of Rule 6.4(a).

Box No. III Observations where unity of invention is lacking (Continuation of item 3 of first sheet)

This International Searching Authority found multiple inventions in this international application, as follows:

see additional sheet

1. As all required additional search fees were timely paid by the applicant, this international search report covers all searchable claims.
2. As all searchable claims could be searched without effort justifying an additional fees, this Authority did not invite payment of additional fees.
3. As only some of the required additional search fees were timely paid by the applicant, this international search report covers only those claims for which fees were paid, specifically claims Nos.:
4. No required additional search fees were timely paid by the applicant. Consequently, this international search report is restricted to the invention first mentioned in the claims; it is covered by claims Nos.:

Remark on Protest

- The additional search fees were accompanied by the applicant's protest and, where applicable, the payment of a protest fee.
- The additional search fees were accompanied by the applicant's protest but the applicable protest fee was not paid within the time limit specified in the invitation.
- No protest accompanied the payment of additional search fees.

INTERNATIONAL SEARCH REPORT

International application No PCT/EP2013/064178

A. CLASSIFICATION OF SUBJECT MATTER INV. A01J9/00 A01J11/00 ADD.				
According to International Patent Classification (IPC) or to both national classification and IPC				
B. FIELDS SEARCHED				
Minimum documentation searched (classification system followed by classification symbols) A01J				
Documentation searched other than minimum documentation to the extent that such documents are included in the fields searched				
Electronic data base consulted during the international search (name of data base and, where practicable, search terms used) EPO-Internal, WPI Data				
C. DOCUMENTS CONSIDERED TO BE RELEVANT				
Category*	Citation of document, with indication, where appropriate, of the relevant passages	Relevant to claim No.		
X	GB 1 096 778 A (ALFA LAVAL AB) 29 December 1967 (1967-12-29)	1,4-7, 9-12, 17-20		
A	page 2; figure 1 -----	14-16,21		
X	GB 715 473 A (DONALD LEWIS; WILLIAM JAMES MACDONALD SMITH; THOMAS CHARLES SMITH; SMI) 15 September 1954 (1954-09-15) page 3; figures 1,2 -----	1,4-12, 17-19		
X	EP 0 556 101 A1 (MCCORMICK & CO INC [US]) 18 August 1993 (1993-08-18) column 7 - column 8; figure 2 -----	1,3,13		
X	WO 82/00748 A1 (MUELLER CO PAUL [US]) 18 March 1982 (1982-03-18)	2,13		
A	page 11; figure 3 -----	1		
----- -/--				
<input checked="" type="checkbox"/> Further documents are listed in the continuation of Box C. <input checked="" type="checkbox"/> See patent family annex.				
* Special categories of cited documents : <table style="width: 100%; border: none;"> <tr> <td style="width: 50%; border: none; vertical-align: top;"> "A" document defining the general state of the art which is not considered to be of particular relevance "E" earlier application or patent but published on or after the international filing date "L" document which may throw doubts on priority claim(s) or which is cited to establish the publication date of another citation or other special reason (as specified) "O" document referring to an oral disclosure, use, exhibition or other means "P" document published prior to the international filing date but later than the priority date claimed </td> <td style="width: 50%; border: none; vertical-align: top;"> "T" later document published after the international filing date or priority date and not in conflict with the application but cited to understand the principle or theory underlying the invention "X" document of particular relevance; the claimed invention cannot be considered novel or cannot be considered to involve an inventive step when the document is taken alone "Y" document of particular relevance; the claimed invention cannot be considered to involve an inventive step when the document is combined with one or more other such documents, such combination being obvious to a person skilled in the art "&" document member of the same patent family </td> </tr> </table>			"A" document defining the general state of the art which is not considered to be of particular relevance "E" earlier application or patent but published on or after the international filing date "L" document which may throw doubts on priority claim(s) or which is cited to establish the publication date of another citation or other special reason (as specified) "O" document referring to an oral disclosure, use, exhibition or other means "P" document published prior to the international filing date but later than the priority date claimed	"T" later document published after the international filing date or priority date and not in conflict with the application but cited to understand the principle or theory underlying the invention "X" document of particular relevance; the claimed invention cannot be considered novel or cannot be considered to involve an inventive step when the document is taken alone "Y" document of particular relevance; the claimed invention cannot be considered to involve an inventive step when the document is combined with one or more other such documents, such combination being obvious to a person skilled in the art "&" document member of the same patent family
"A" document defining the general state of the art which is not considered to be of particular relevance "E" earlier application or patent but published on or after the international filing date "L" document which may throw doubts on priority claim(s) or which is cited to establish the publication date of another citation or other special reason (as specified) "O" document referring to an oral disclosure, use, exhibition or other means "P" document published prior to the international filing date but later than the priority date claimed	"T" later document published after the international filing date or priority date and not in conflict with the application but cited to understand the principle or theory underlying the invention "X" document of particular relevance; the claimed invention cannot be considered novel or cannot be considered to involve an inventive step when the document is taken alone "Y" document of particular relevance; the claimed invention cannot be considered to involve an inventive step when the document is combined with one or more other such documents, such combination being obvious to a person skilled in the art "&" document member of the same patent family			
Date of the actual completion of the international search	Date of mailing of the international search report			
20 March 2014	27/03/2014			
Name and mailing address of the ISA/ European Patent Office, P.B. 5818 Patentlaan 2 NL - 2280 HV Rijswijk Tel. (+31-70) 340-2040, Fax: (+31-70) 340-3016	Authorized officer Moeremans, Benoit			

INTERNATIONAL SEARCH REPORT

International application No PCT/EP2013/064178

C(Continuation). DOCUMENTS CONSIDERED TO BE RELEVANT

Category*	Citation of document, with indication, where appropriate, of the relevant passages	Relevant to claim No.
X	US 4 944 167 A (JACOBSEN FINN [SE] ET AL) 31 July 1990 (1990-07-31) column 4; figure 1 -----	2, 3, 13
A	US 3 934 821 A (MUELLER PAUL ET AL) 27 January 1976 (1976-01-27) figures 1,3,7 -----	8

INTERNATIONAL SEARCH REPORT

Information on patent family members

International application No PCT/EP2013/064178

Patent document cited in search report	Publication date	Patent family member(s)	Publication date
GB 1096778	A	29-12-1967	GB 1096778 A 29-12-1967 NL 6506622 A 29-11-1965

GB 715473	A	15-09-1954	NONE

EP 0556101	A1	18-08-1993	AU 3188693 A 12-08-1993 BR 9300502 A 10-08-1993 CA 2088523 A1 08-08-1993 CN 1082847 A 02-03-1994 EG 19813 A 29-02-1996 EP 0556101 A1 18-08-1993 JP H067078 A 18-01-1994 ZA 9300655 A 02-09-1993

WO 8200748	A1	18-03-1982	EP 0059201 A1 08-09-1982 US 4351271 A 28-09-1982 WO 8200748 A1 18-03-1982

US 4944167	A	31-07-1990	NONE

US 3934821	A	27-01-1976	NONE

FURTHER INFORMATION CONTINUED FROM PCT/ISA/ 210

This International Searching Authority found multiple (groups of) inventions in this international application, as follows:

1. claims: 1, 4-12, 14-21

holding tank with a distribution device

2. claims: 2-11, 13-16, 21

holding tank wherein the outlet is positioned at a level adjacent to a bottom level in a wall section at a location oppositely arranged to a plane including the longitudinal axis of the tank
