



(43) International Publication Date  
20 September 2012 (20.09.2012)

(51) International Patent Classification:

*E02B 15/04* (2006.01)     *B01D 33/04* (2006.01)  
*C02F 1/40* (2006.01)     *B63B 35/32* (2006.01)  
*B01D 17/02* (2006.01)

(21) International Application Number:

PCT/IB2012/051116

(22) International Filing Date:

9 March 2012 (09.03.2012)

(25) Filing Language:

Italian

(26) Publication Language:

English

(30) Priority Data:

TO2011A000221 11 March 2011 (11.03.2011)     IT  
TO2011A000222 11 March 2011 (11.03.2011)     IT  
TO2011A000225 11 March 2011 (11.03.2011)     IT

(71) Applicant (for all designated States except US):

**TECNOMECCANICA BIELLESE S.R.L.** [IT/IT]; Via  
Molino 9, I-13891 Camburzano (Biella) (IT).

(72) Inventors; and

(75) Inventors/Applicants (for US only): **DONATELLI, Luciano** [IT/IT]; Via Quintino Sella 37, I-13800 Biella (IT).  
**PLONER, Mario** [IT/IT]; Technomeccanica Biellese S.r.l., Via Molino 9, I-13891 Camburzano (Biella) (IT).  
**ROSSETTI, Mauro** [IT/IT]; Via XI Febbraio 19, I-13853 Lessona (Biella) (IT).

(74) Agent: **FRONTONI, Stefano**; c/o Buzzi, Notaro & Antonielli d'Oulx, Via Maria Vittoria 18, I-10123 Torino (IT).

(81) Designated States (unless otherwise indicated, for every

kind of national protection available): AE, AG, AL, AM, AO, AT, AU, AZ, BA, BB, BG, BH, BR, BW, BY, BZ, CA, CH, CL, CN, CO, CR, CU, CZ, DE, DK, DM, DO, DZ, EC, EE, EG, ES, FI, GB, GD, GE, GH, GM, GT, HN, HR, HU, ID, IL, IN, IS, JP, KE, KG, KM, KN, KP, KR, KZ, LA, LC, LK, LR, LS, LT, LU, LY, MA, MD, ME, MG, MK, MN, MW, MX, MY, MZ, NA, NG, NI, NO, NZ, OM, PE, PG, PH, PL, PT, QA, RO, RS, RU, RW, SC, SD, SE, SG, SK, SL, SM, ST, SV, SY, TH, TJ, TM, TN, TR, TT, TZ, UA, UG, US, UZ, VC, VN, ZA, ZM, ZW.

(84) Designated States (unless otherwise indicated, for every

kind of regional protection available): ARIPO (BW, GH, GM, KE, LR, LS, MW, MZ, NA, RW, SD, SL, SZ, TZ, UG, ZM, ZW), Eurasian (AM, AZ, BY, KG, KZ, MD, RU, TJ, TM), European (AL, AT, BE, BG, CH, CY, CZ, DE, DK, EE, ES, FI, FR, GB, GR, HR, HU, IE, IS, IT, LT, LU, LV, MC, MK, MT, NL, NO, PL, PT, RO, RS, SE, SI, SK, SM, TR), OAPI (BF, BJ, CF, CG, CI, CM, GA, GN, GQ, GW, ML, MR, NE, SN, TD, TG).

Published:

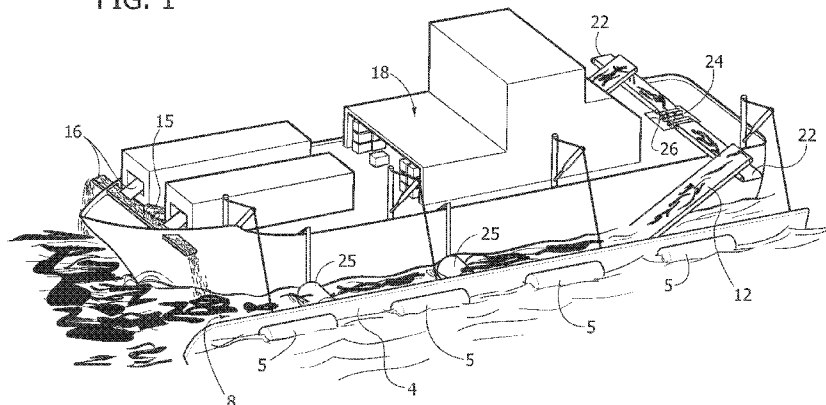
- with international search report (Art. 21(3))
- before the expiration of the time limit for amending the claims and to be republished in the event of receipt of amendments (Rule 48.2(h))

(88) Date of publication of the international search report:

13 December 2012

(54) Title: METHOD FOR REMOVING A POLLUTING SUBSTANCE FROM A WATER SURFACE

FIG. 1



(57) Abstract: A method for removal of a hydrocarbon substance floating on a body of water, in particular petroleum and/or its derivatives, characterized in that it envisages the use of greasy animal wool, with a fibre having a diameter greater than 25 µm, to absorb said substance.



# INTERNATIONAL SEARCH REPORT

International application No PCT/IB2012/051116
---

<b>A. CLASSIFICATION OF SUBJECT MATTER</b> INV. E02B15/04 ADD.		
According to International Patent Classification (IPC) or to both national classification and IPC		
<b>B. FIELDS SEARCHED</b> Minimum documentation searched (classification system followed by classification symbols) E02B		
Documentation searched other than minimum documentation to the extent that such documents are included in the fields searched		
Electronic data base consulted during the international search (name of data base and, where practicable, search terms used) EPO-Internal		
<b>C. DOCUMENTS CONSIDERED TO BE RELEVANT</b>		
Category*	Citation of document, with indication, where appropriate, of the relevant passages	Relevant to claim No.
X	US 4 031 005 A (DER JAMES J) 21 June 1977 (1977-06-21) figure 2 -----	4-11
X	US 3 723 307 A (HUNTER R) 27 March 1973 (1973-03-27) figure 1 page 3, line 34 - line 34 -----	4-11
X	DE 42 03 946 A1 (APPEL FRANZ XAVER [DE]) 12 August 1993 (1993-08-12) the whole document -----	4-11
A	GB 2 255 772 A (BUTCHER JOHN CHRISTOPHER) 18 November 1992 (1992-11-18) the whole document -----	1
<input type="checkbox"/> Further documents are listed in the continuation of Box C. <span style="margin-left: 100px;"><input checked="" type="checkbox"/> See patent family annex.</span>		
* Special categories of cited documents :		
"A" document defining the general state of the art which is not considered to be of particular relevance "E" earlier application or patent but published on or after the international filing date "L" document which may throw doubts on priority claim(s) or which is cited to establish the publication date of another citation or other special reason (as specified) "O" document referring to an oral disclosure, use, exhibition or other means "P" document published prior to the international filing date but later than the priority date claimed	"T" later document published after the international filing date or priority date and not in conflict with the application but cited to understand the principle or theory underlying the invention "X" document of particular relevance; the claimed invention cannot be considered novel or cannot be considered to involve an inventive step when the document is taken alone "Y" document of particular relevance; the claimed invention cannot be considered to involve an inventive step when the document is combined with one or more other such documents, such combination being obvious to a person skilled in the art "&" document member of the same patent family	
Date of the actual completion of the international search	Date of mailing of the international search report	
9 October 2012	19/10/2012	
Name and mailing address of the ISA/ European Patent Office, P.B. 5818 Patentlaan 2 NL - 2280 HV Rijswijk Tel. (+31-70) 340-2040, Fax: (+31-70) 340-3016	Authorized officer  Flygare, Esa	

# INTERNATIONAL SEARCH REPORT

Information on patent family members

International application No  
PCT/IB2012/051116

Patent document cited in search report	Publication date	Patent family member(s)	Publication date
US 4031005	A	21-06-1977	NONE
-----			
US 3723307	A	27-03-1973	NONE
-----			
DE 4203946	A1	12-08-1993	NONE
-----			
GB 2255772	A	18-11-1992	NONE
-----			