



US00D418397S

United States Patent [19]

[11] Patent Number: Des. 418,397

Sasa

[45] Date of Patent: ** Jan. 4, 2000

[54] **COUPLING PLUG WITH A CAP**
[75] Inventor: **Takeya Sasa**, Tokyo, Japan
[73] Assignee: **Nitto Kohki Co., Ltd.**, Tokyo, Japan
[**] Term: **14 Years**

[21] Appl. No.: **29/091,525**
[22] Filed: **Jul. 31, 1998**

[30] **Foreign Application Priority Data**
Feb. 20, 1998 [JP] Japan 10-4344
[51] **LOC (7) Cl.** **08-08**
[52] **U.S. Cl.** **D8/382**
[58] **Field of Search** D8/382; 141/346;
251/146, 148; 417/403, 377, 431, 427,
366, 368, 378, 429, 918, 924

[56] **References Cited**
U.S. PATENT DOCUMENTS
D. 374,814 10/1996 Saito D8/387
3,149,697 9/1964 Bendeich et al. 141/346 X
3,727,638 4/1973 Zarembo, Jr. et al. 137/572
4,025,048 5/1977 Tibbitts 251/144
4,269,237 5/1981 Berger 141/346
5,048,578 9/1991 Dorf et al. 141/346

Primary Examiner—Holly Baynham
Attorney, Agent, or Firm—Wenderoth, Lind & Ponack,
L.L.P.

[57] **CLAIM**
The ornamental design for coupling plug with a cap, as shown and described.

DESCRIPTION
FIG. 1 is a perspective view taken from the top, front and right side of a coupling plug with a cap showing my new design;
FIG. 2 is a front elevational view thereof;
FIG. 3 is a top plan view thereof;
FIG. 4 is a rear elevational view thereof;
FIG. 5 is a bottom plan view thereof;
FIG. 6 is a left side elevational view thereof;
FIG. 7 is a right side elevational view thereof;
FIG. 8 is a sectional end view thereof taken on line A—A of FIG. 3;
FIG. 9 is a front elevational view of a coupling plug in the state when detaching a cap thereof;
FIG. 10 is a right side elevational view of a coupling plug in the state when detaching a cap thereof;
FIG. 11 is a front elevational view of a coupling plug in the state when detaching a cap thereof;
FIG. 12 is a right side elevational view of a cap in the state when detaching a coupling plug thereof; and,
FIG. 13 is a sectional end view thereof taken on line B—B of FIG. 12.
The elements of the claimed design are shown detached for clarity of illustration.

1 Claim, 3 Drawing Sheets

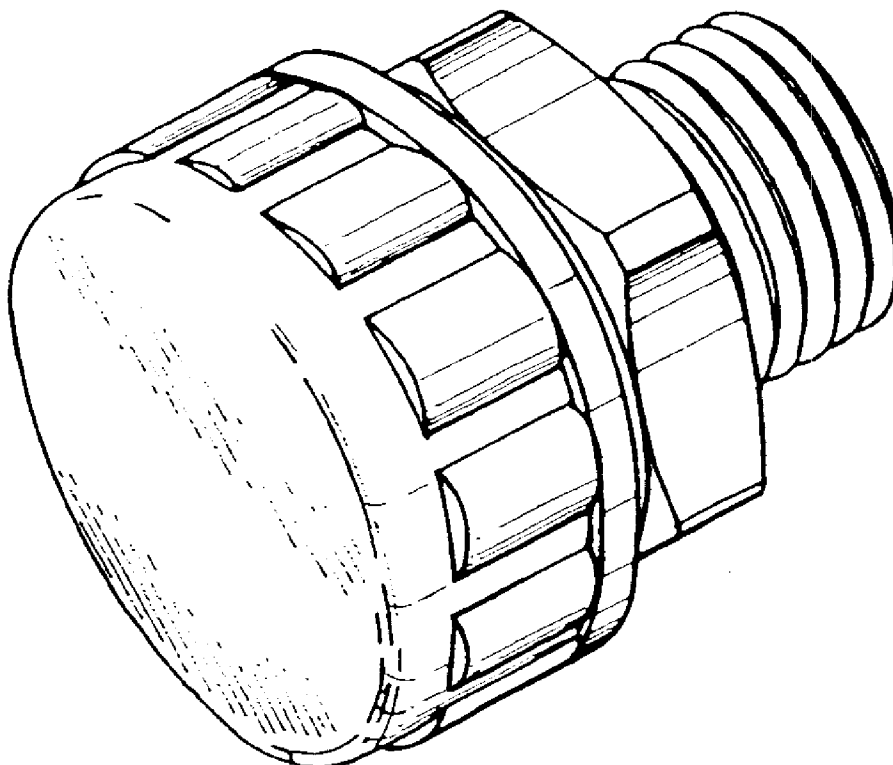


FIG. 1

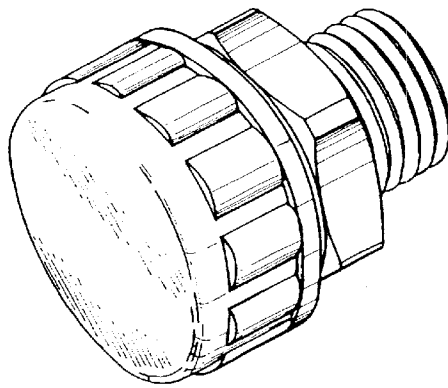


FIG. 2

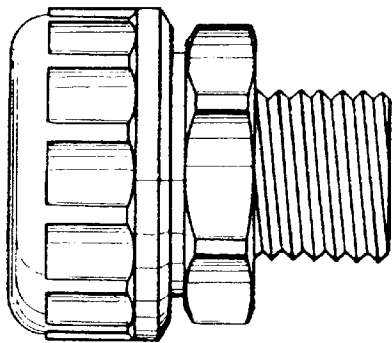


FIG. 3

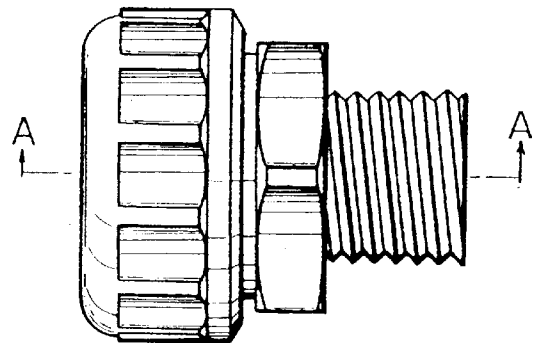


FIG. 4

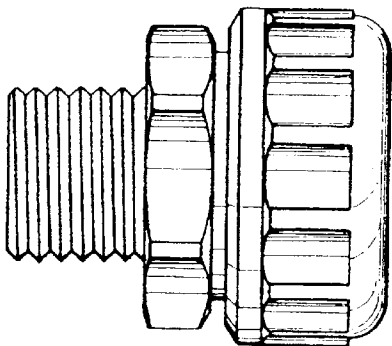


FIG. 5

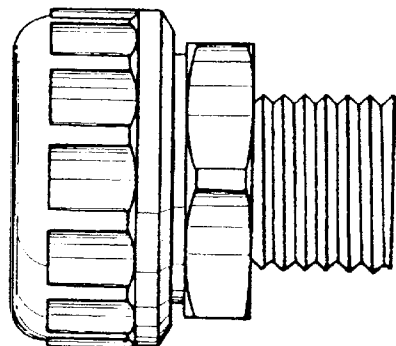


FIG. 6

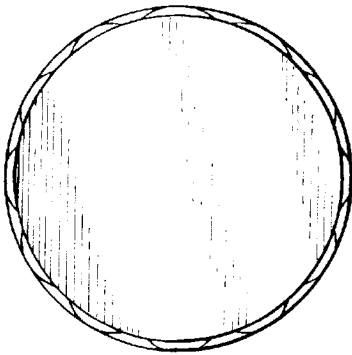


FIG. 7

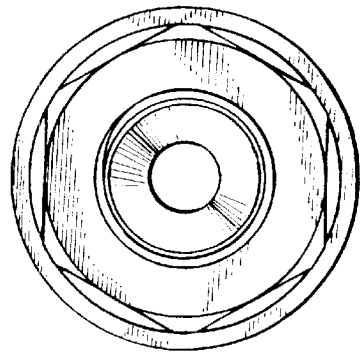


FIG. 8

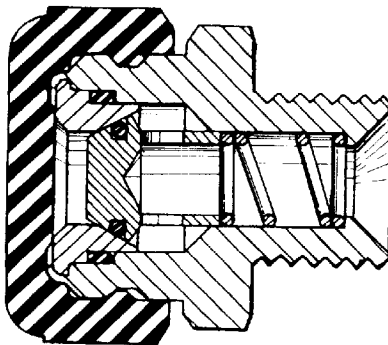


FIG. 9

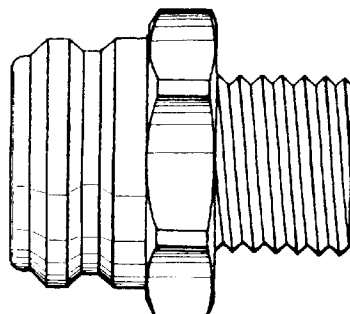


FIG. 10

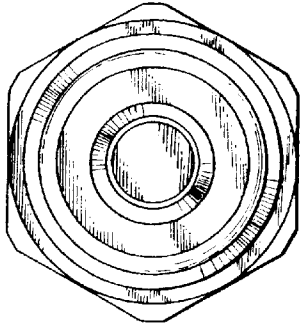


FIG. 11

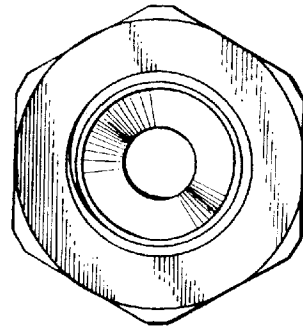


FIG. 12

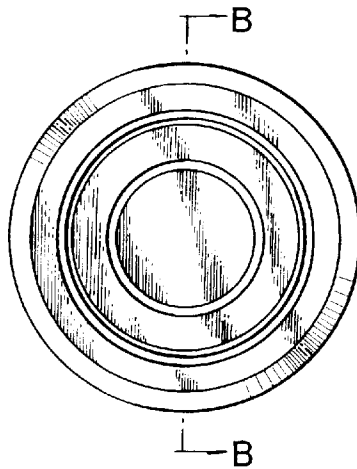


FIG. 13

