



(12) **United States Design Patent**  
**Marantis et al.**

(10) **Patent No.:** **US D859,986 S**  
(45) **Date of Patent:** **\*\* Sep. 17, 2019**

(54) **STOPPER FOR BOTTLE**

47/06; B65D 47/08; B65D 47/24; B65D  
47/247; B65D 47/283; B65D 47/065;  
B65D

(71) Applicant: **CORNERSTONE CM, INC.**, Poland,  
OH (US)

(Continued)

(72) Inventors: **Michael G. Marantis**, Poland, OH  
(US); **Richard A. Ponton**, New  
Milford, CT (US); **Joshua W.  
Hubbard**, New Milford, CT (US);  
**Jonathan P. Richards**, Derby, CT (US)

(56) **References Cited**

U.S. PATENT DOCUMENTS

1,189,465 A 7/1916 Mayo  
2,276,421 A 3/1942 Colin  
(Continued)

(73) Assignee: **Cornerstone CM, INC.**, Poland, OH  
(US)

OTHER PUBLICATIONS

(\*\*) Term: **15 Years**

Clear Glass Lamp Bulb Shape Bottle with Screw Cap Tin Lid,  
posted on alibaba.com, no posted date given, no production date  
given, [online], [site visited Dec. 30, 2016], Available from internet,  
<URL: [https://www.alibaba.com/product-detail/clear-glass-lamp-bulb-shape-bottle\\_60183128242.html](https://www.alibaba.com/product-detail/clear-glass-lamp-bulb-shape-bottle_60183128242.html)>.

(21) Appl. No.: **29/625,282**

(22) Filed: **Nov. 8, 2017**

(Continued)

**Related U.S. Application Data**

(63) Continuation of application No. 29/570,107, filed on  
Jul. 5, 2016, now Pat. No. Des. 805,899, which is a  
(Continued)

*Primary Examiner* — Jennifer Rivard

*Assistant Examiner* — Catherine S Posthauer

(74) *Attorney, Agent, or Firm* — Tucker Ellis LLP; Carlos  
Garritano

(51) **LOC (12) Cl.** ..... **09-07**

(52) **U.S. Cl.**  
USPC ..... **D9/439**

(57) **CLAIM**

(58) **Field of Classification Search**

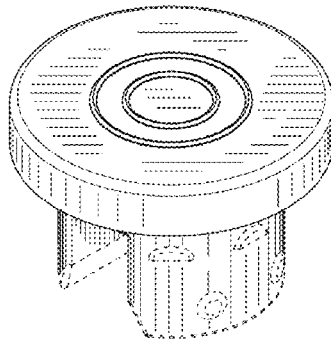
USPC ..... D3/202; D7/300, 300.1, 317, 387, 391,  
D7/392.1, 393, 396.2, 509, 510, 511, 523,  
D7/525-531, 538, 541, 549, 629, 702,  
D7/900; D8/349, 350, 352; D28/7, 76,  
D28/78, 82, 85, 91; D24/112, 121, 127,  
D24/199, 224; D23/259, 260; D9/414,  
D9/424, 425, 426, 430, 432, 434, 435,  
D9/436, 439, 447, 448, 449, 453, 454,  
D9/456, 723, 736, 761  
CPC . B67C 11/02; B67C 2011/20; B65D 81/2038;  
B65D 81/3283; B65D 47/265; B65D  
43/0225; B65D 51/16; B65D 51/18;  
B65D 51/242; B65D 51/243; B65D

The ornamental design for a stopper for bottle, as shown and  
described.

**DESCRIPTION**

FIG. 1 is a top perspective view of a stopper for bottle,  
showing our new design;  
FIG. 2 is a bottom perspective view thereof;  
FIG. 3 is a left side view thereof, the right side being a mirror  
image thereof; and,  
FIG. 4 is a front view thereof, the rear view being a mirror  
image thereof.

(Continued)



The broken lines are shown for the purpose of illustrating parts of the stopper for bottle that form no part of the claimed design.

**1 Claim, 1 Drawing Sheet**

**Related U.S. Application Data**

continuation of application No. 14/540,477, filed on Nov. 13, 2014, now Pat. No. 9,517,922, and a continuation-in-part of application No. 29/509,028, filed on Nov. 13, 2014, now Pat. No. Des. 763,691.

(58) **Field of Classification Search**

CPC ..... 47/0866; B65D 47/0885; B65D 47/0871; B65D 43/02; B65D 43/16; B65D 43/22; B65D 43/26; B65D 23/001; B65D 23/108; B65D 41/04; B65D 35/46; B65D 25/24; B65D 2251/0021; B65D 2251/0025; B65D 2251/0028; B65D 2251/0081; B65D 2251/0087; B65D 2251/009; B65D 2543/00046; B65D 2543/00231; A61J 1/14; A61J 1/1412; A61J 1/1418; A61M 1/0003; B65B 31/00; B65B 55/10; A47G 19/2272; A47G 19/2266; A47G 19/2288; A47G 19/00; A47G 21/18; A47J 43/27; A47J 43/1087  
See application file for complete search history.

(56) **References Cited**

U.S. PATENT DOCUMENTS

D148,078	S	12/1947	Lelong	
2,911,123	A	11/1959	Saccomanno	
3,088,615	A	5/1963	Wheaton	
D217,580	S	6/1970	Nelson et al.	
D217,850	S	6/1970	Nelson	
D225,725	S	1/1973	Pettingill	
3,965,902	A	6/1976	Kelly	
4,376,439	A	3/1983	Lauterjung	
5,186,358	A *	2/1993	McVay	B67C 11/02 141/332
5,188,622	A	2/1993	Muller	
D362,188	S	9/1995	Van Dyk	
D374,376	S	10/1996	Goins	
D375,264	S *	11/1996	Galarza	D9/452
5,845,797	A *	12/1998	Sudo	B65D 39/00 215/247
5,895,383	A	4/1999	Niedospial, Jr.	
5,902,298	A	5/1999	Niedospial, Jr.	
5,921,419	A	7/1999	Niedospial, Jr.	
5,960,837	A	10/1999	Cude	
5,971,181	A	10/1999	Niedospial, Jr.	
D428,339	S	7/2000	Johnston et al.	
D472,471	S	4/2003	McClure et al.	
D480,632	S *	10/2003	Williams	D9/723
D480,639	S *	10/2003	Ciavarella	D9/434
D480,959	S *	10/2003	Dewood	D9/723
D489,992	S	5/2004	Brauner	
D513,384	S *	1/2006	Perry	D9/445
6,981,602	B2	1/2006	Ma	
D520,363	S	5/2006	Perez	
7,048,724	B2	5/2006	Grossman	
D528,192	S *	9/2006	Nicholson	D23/260
7,153,294	B1	12/2006	Farrow	
7,178,683	B2	2/2007	Birkmayer	

D553,717	S *	10/2007	Nicholson	D23/260
D564,879	S *	3/2008	Baughman	D9/454
D587,580	S *	3/2009	Kane	D9/453
D613,166	S	4/2010	Bentley	
D619,003	S	7/2010	Benoit-Gonin	
D619,004	S	7/2010	Fallat	
D620,362	S	7/2010	Boukobza	
D620,758	S	8/2010	Smiedt et al.	
7,799,009	B2	9/2010	Niedospial, Jr.	
7,874,441	B2	1/2011	Bloom	
D632,958	S	2/2011	Fuchs	
D634,200	S	3/2011	Taber	
D634,633	S	3/2011	Moreau	
D642,471	S	8/2011	White et al.	
D645,351	S	9/2011	McMillan et al.	
D673,852	S	1/2013	Wood	
D673,854	S	1/2013	James	
D679,169	S *	4/2013	Else	D8/349
D679,170	S *	4/2013	Else	D8/349
D680,369	S	4/2013	Starks	
D682,610	S	5/2013	Carder	
D682,700	S	5/2013	White et al.	
8,495,854	B2	7/2013	Seidita	
D688,128	S	8/2013	Krause	
D688,129	S	8/2013	Krause	
D694,110	S	11/2013	Tanner	
8,695,821	B2	4/2014	Bashyam	
D716,653	S	11/2014	Balembois	
D723,370	S	3/2015	Medlin	
D723,919	S	3/2015	Taber	
D727,152	S	4/2015	Yaseen	
D736,625	S	8/2015	Laureano	
D736,646	S	8/2015	Andersson et al.	
D740,120	S	10/2015	El Ghouyel	
D746,687	S	1/2016	Yourist	
D763,090	S	8/2016	Zeng et al.	
D763,091	S	8/2016	Zeng et al.	
D763,685	S *	8/2016	Arriaga	D9/436
D764,920	S	8/2016	Marantis et al.	
D768,489	S *	10/2016	Indruk	D9/447
D803,045	S *	11/2017	Ploeger	D9/435
D803,046	S *	11/2017	Ploeger	D9/435
D803,048	S *	11/2017	Ploeger	D9/435
D803,049	S *	11/2017	Ploeger	D9/435
D804,945	S *	12/2017	Ploeger	D9/435
2003/0208165	A1	11/2003	Christensen et al.	
2006/0000793	A1	1/2006	Mavin	
2008/0190948	A1 *	8/2008	Sayasithsena	A47G 23/0216 220/737
2010/0270260	A1	10/2010	Jung	
2011/0114593	A1	5/2011	Ishii	
2013/0270143	A1 *	10/2013	Muscato	B65D 1/28 206/459.5
2016/0136048	A1 *	5/2016	Marantis	B67C 11/00 141/331
2016/0137474	A1 *	5/2016	Marantis	A61J 1/14 141/331

OTHER PUBLICATIONS

Tinksky, 400ml Tea Water Cup Bottle—Light Bulb Shaped, posted on amazon.com, no posted date given, no production date given, [online], [site visited Dec. 30, 2016], Available from internet, <URL: <https://www.amazon.com/Tinksky-400ML-Tea-Water-Bottle/dp/B01FDA7C7K>>.  
Bobble Active Filtering Water Bottle Hands-On, posted on gadgetmac.com, posted Sep. 1, 2012, no production date given, [online], [site visited Dec. 30, 2016], Available from internet, <URL: <http://gadgetmac.com/alt/bobble-active-filtering-water-bottle-hands-on.html>>.

\* cited by examiner

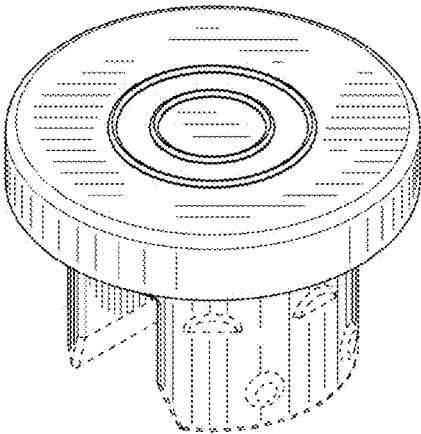


FIG.1

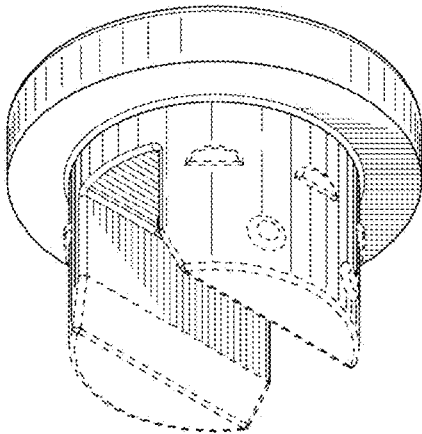


FIG.2

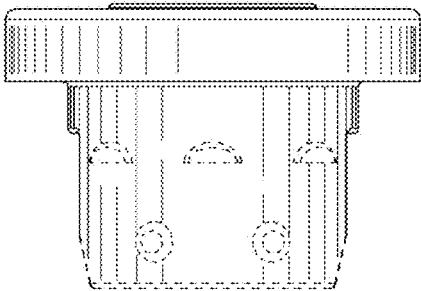


FIG.3

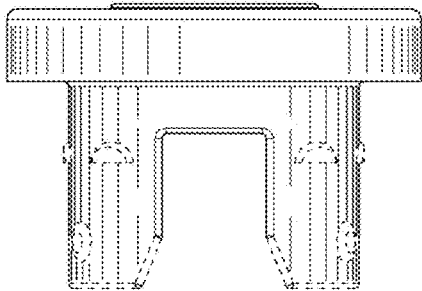


FIG.4