



US0D1008963S

(12) **United States Design Patent**  
**Morioka et al.**

(10) **Patent No.:** **US D1,008,963 S**

(45) **Date of Patent:** **\*\* Dec. 26, 2023**

(54) **PLATE OF BATTERY MODULE**

(71) Applicants: **Yazaki Corporation**, Tokyo (JP);  
**TOYOTA JIDOSHA KABUSHIKI**  
**KAISHA**, Toyota (JP); **KABUSHIKI**  
**KAISHA TOYOTA JIDOSHOKKI**,  
Kariya (JP)

(72) Inventors: **Satoshi Morioka**, Okazaki (JP);  
**Motoyoshi Okumura**, Nagoya (JP);  
**Hiromi Ueda**, Kariya (JP); **Naoto**  
**Morisaku**, Kariya (JP); **Yutaro**  
**Okazaki**, Kakegawa (JP); **Shinichi**  
**Yanagihara**, Kakegawa (JP)

(73) Assignees: **YAZAKI CORPORATION**, Tokyo  
(JP); **TOYOTA JIDOSHA**  
**KABUSHIKI KAISHA**, Toyota (JP);  
**KABUSHIKI KAISHA TOYOTA**  
**JIDOSHOKKI**, Kariya (JP)

(\*\*) Term: **15 Years**

(21) Appl. No.: **29/813,598**

(22) Filed: **Oct. 29, 2021**

(30) **Foreign Application Priority Data**

Apr. 30, 2021 (JP) ..... 2021-009369 D

(51) **LOC (14) Cl.** ..... **13-02**

(52) **U.S. Cl.**  
USPC ..... **D13/121**

(58) **Field of Classification Search**

USPC ..... D13/103, 107, 108, 110, 112, 118, 119,  
D13/122, 184, 199, 121  
CPC .... H02J 7/025; H02J 7/005; H02J 7/02; H02J  
7/0042; H02J 7/0045; H01R 2201/26;  
H01M 50/209; H01M 50/536

See application file for complete search history.

(56) **References Cited**

U.S. PATENT DOCUMENTS

D635,506 S \* 4/2011 Morisawa ..... D13/103  
D669,850 S \* 10/2012 Morisawa ..... D13/103  
D670,240 S \* 11/2012 Morisawa ..... D13/103  
D709,441 S \* 7/2014 Kwon ..... D13/103

(Continued)

FOREIGN PATENT DOCUMENTS

CN 307500159 \* 8/2022  
CN 307925744 \* 3/2023

(Continued)

*Primary Examiner* — Rosemary K Tarcza

*Assistant Examiner* — Seth David Kumpf

(74) *Attorney, Agent, or Firm* — Sughrue Mion, PLLC

(57) **CLAIM**

The ornamental design for a plate of battery module, as shown and described.

**DESCRIPTION**

FIG. 1 is a first perspective view of a plate of battery module showing our new design;

FIG. 2 is a second perspective view thereof;

FIG. 3 is a third perspective view thereof;

FIG. 4 is a fourth perspective view thereof;

FIG. 5 is a front view thereof;

FIG. 6 is a rear view thereof;

FIG. 7 is a left side view thereof;

FIG. 8 is a right side view thereof;

FIG. 9 is a top plan view thereof;

FIG. 10 is a bottom plan view thereof;

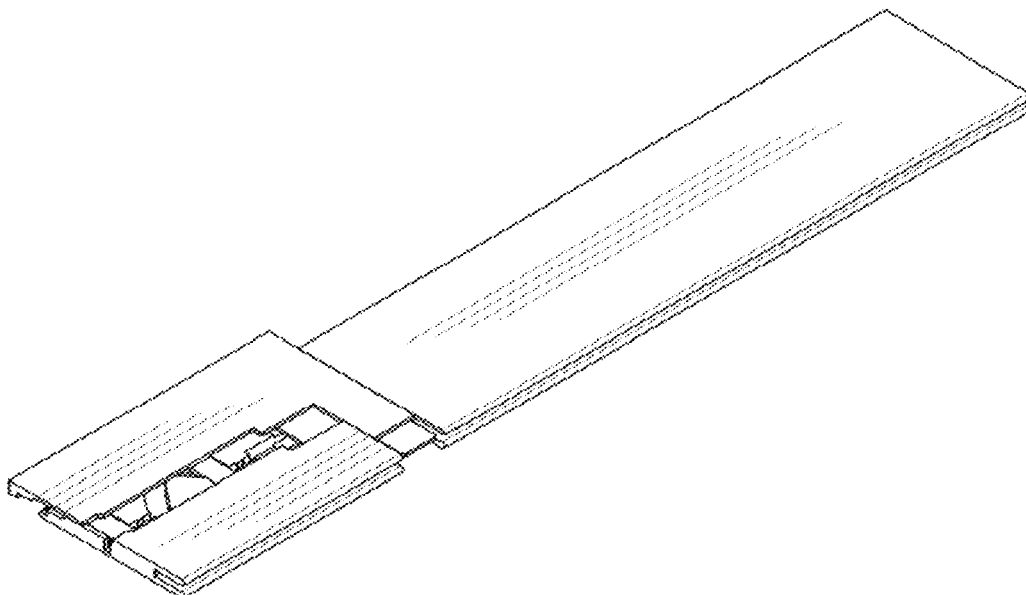
FIG. 11 is an enlarged cross-sectional view taken along lines 11-11 shown in FIG. 5;

FIG. 12 is a first perspective view in a closed state thereof;

FIG. 13 is a second perspective view in a closed state thereof; and,

FIG. 14 is a top plan view in a closed state thereof.

**1 Claim, 13 Drawing Sheets**



(56)

**References Cited**

U.S. PATENT DOCUMENTS

D716,722 S \* 11/2014 Kwon ..... D13/103  
D821,308 S \* 6/2018 Chia ..... D13/108  
D935,389 S \* 11/2021 Park ..... D13/103  
D956,685 S \* 7/2022 Cohen ..... D13/103  
2014/0234691 A1\* 8/2014 Lee ..... H01M 10/6567  
429/120  
2016/0126516 A1\* 5/2016 Komiya ..... H01M 50/227  
429/153  
2020/0365844 A1\* 11/2020 Jeon ..... H01M 50/264  
2022/0102818 A1\* 3/2022 Rhee ..... H01M 50/176  
2022/0115752 A1\* 4/2022 Wang ..... H01M 50/211

FOREIGN PATENT DOCUMENTS

JP D1262677 \* 2/2006  
JP D1697202 \* 10/2021  
JP D1697203 \* 10/2021  
JP D1697204 \* 10/2021  
JP D1697238 \* 10/2021

\* cited by examiner

FIG. 1

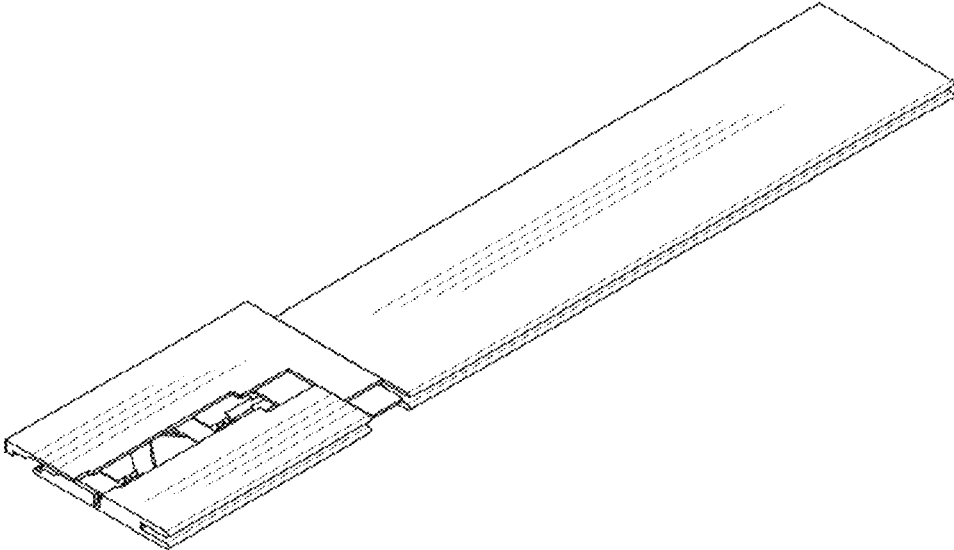


FIG. 2

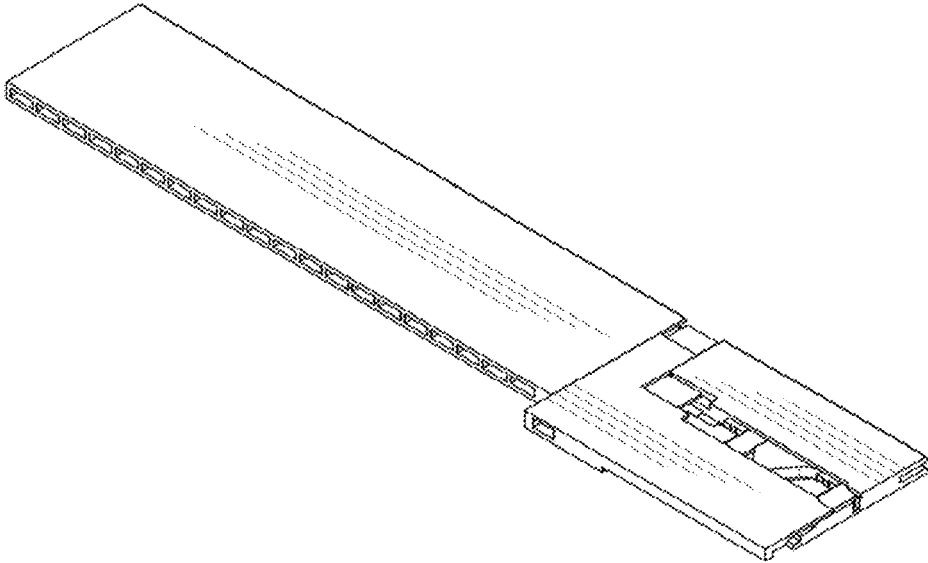


FIG. 3

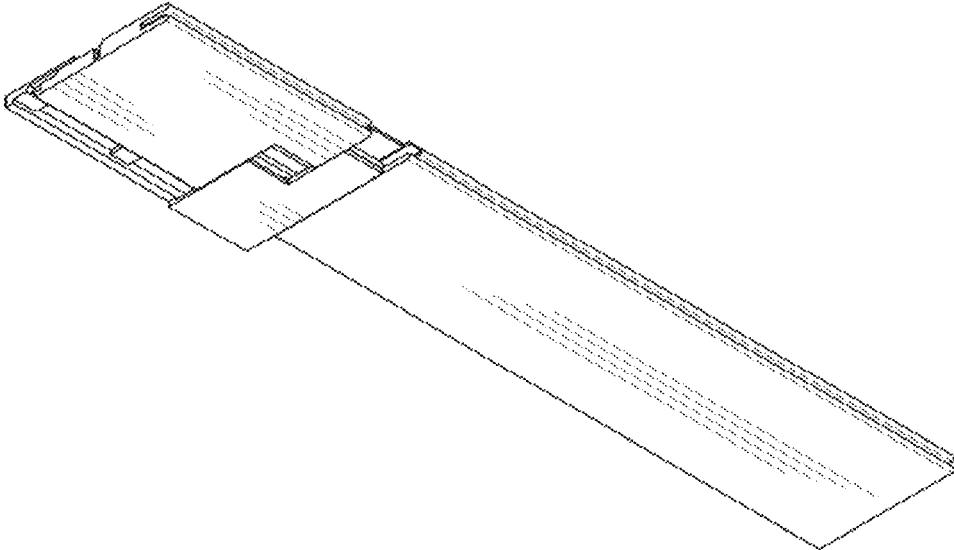


FIG. 4

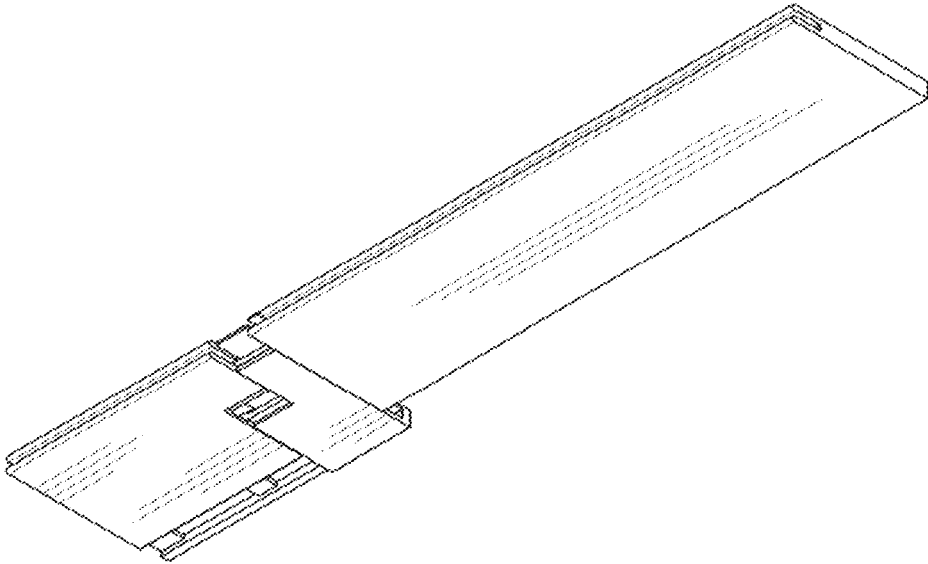


FIG. 5

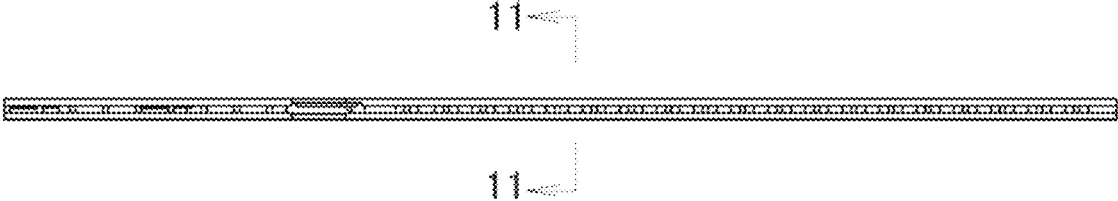


FIG. 6

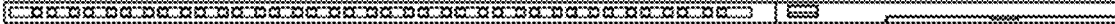


FIG. 7



FIG. 8



FIG. 9

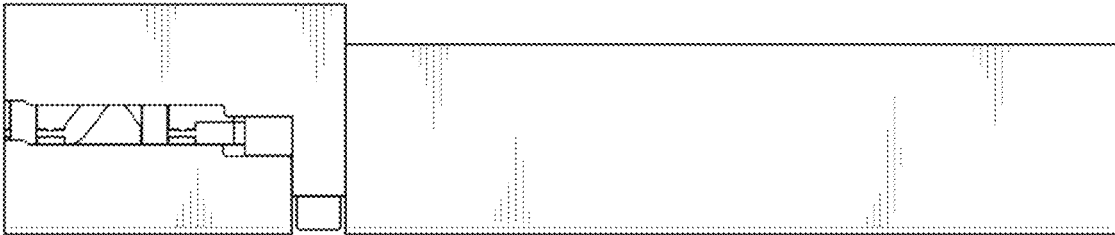


FIG. 10

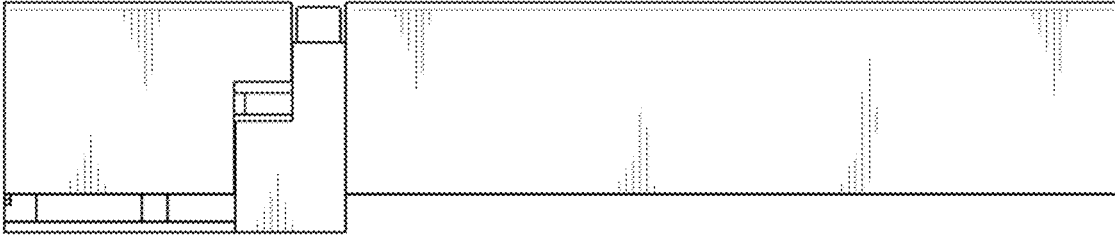


FIG. 11

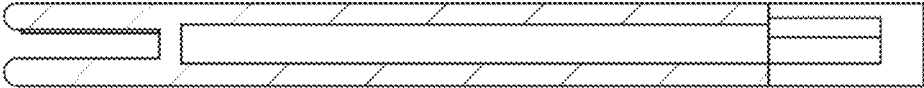


FIG. 12

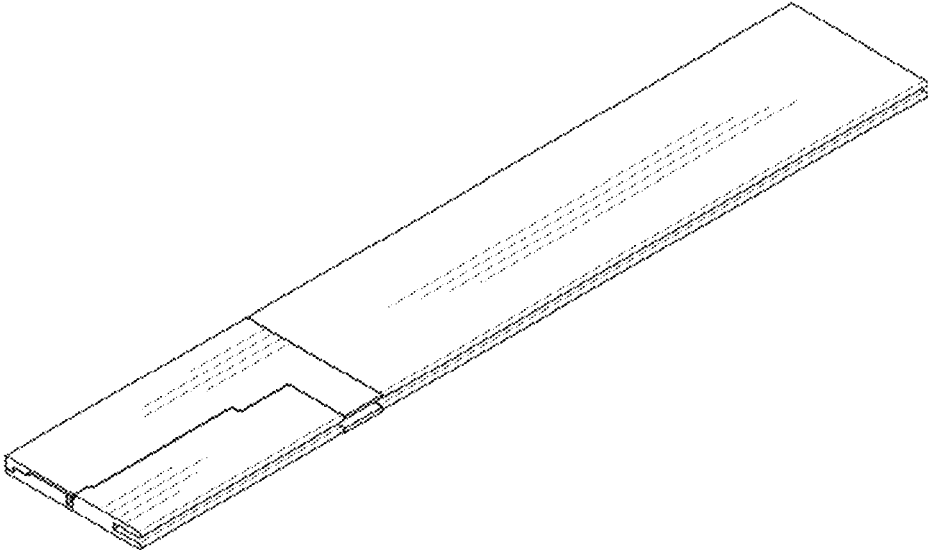


FIG. 13

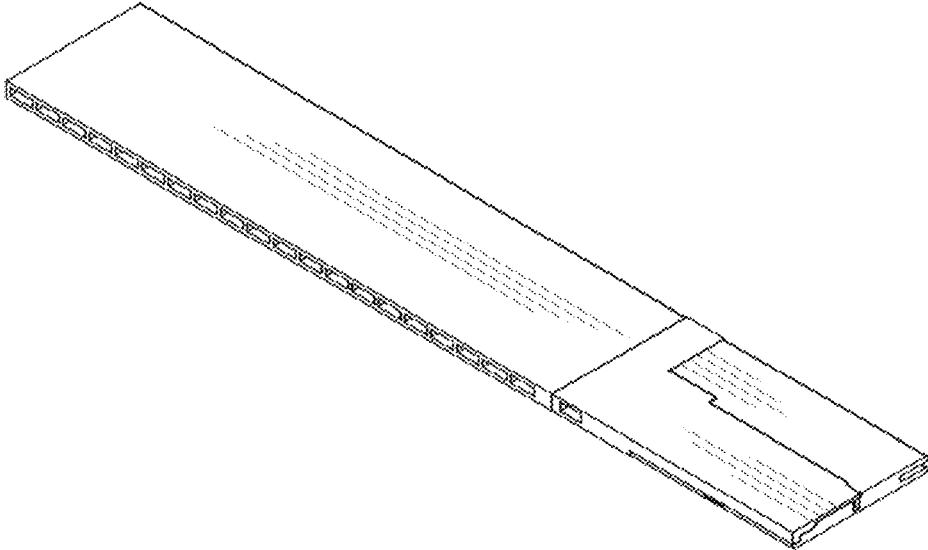


FIG. 14

