



(51) International Patent Classification:
E21B 33/072 (2006.01)

(21) International Application Number:
PCT/GB2010/051438

(22) International Filing Date:
1 September 2010 (01.09.2010)

(25) Filing Language: English

(26) Publication Language: English

(30) Priority Data:
0915085.5 1 September 2009 (01.09.2009) GB

(71) Applicant (for all designated States except US): **NATIONAL OILWELL VARCO UK LIMITED** [GB/GB]; Martin Street, Audenshaw, Manchester M34 5JA (GB).

(72) Inventor; and

(75) Inventor/Applicant (for US only): **WOOD, Carl Richard** [GB/GB]; Cattie Farmhouse, Whitehouse, Alford, Aberdeenshire AB33 8DR (GB).

(74) Agent: **MURGITROYD & COMPANY**; Scotland House, 165-169 Scotland Street, Glasgow, Strathclyde G5 8PL (GB).

(81) Designated States (unless otherwise indicated, for every kind of national protection available): AE, AG, AL, AM,

AO, AT, AU, AZ, BA, BB, BG, BH, BR, BW, BY, BZ, CA, CH, CL, CN, CO, CR, CU, CZ, DE, DK, DM, DO, DZ, EC, EE, EG, ES, FI, GB, GD, GE, GH, GM, GT, HN, HR, HU, ID, IL, IN, IS, JP, KE, KG, KM, KN, KP, KR, KZ, LA, LC, LK, LR, LS, LT, LU, LY, MA, MD, ME, MG, MK, MN, MW, MX, MY, MZ, NA, NG, NI, NO, NZ, OM, PE, PG, PH, PL, PT, RO, RS, RU, SC, SD, SE, SG, SK, SL, SM, ST, SV, SY, TH, TJ, TM, TN, TR, TT, TZ, UA, UG, US, UZ, VC, VN, ZA, ZM, ZW.

(84) Designated States (unless otherwise indicated, for every kind of regional protection available): ARIPO (BW, GH, GM, KE, LR, LS, MW, MZ, NA, SD, SL, SZ, TZ, UG, ZM, ZW), Eurasian (AM, AZ, BY, KG, KZ, MD, RU, TJ, TM), European (AL, AT, BE, BG, CH, CY, CZ, DE, DK, EE, ES, FI, FR, GB, GR, HR, HU, IE, IS, IT, LT, LU, LV, MC, MK, MT, NL, NO, PL, PT, RO, SE, SI, SK, SM, TR), OAPI (BF, BJ, CF, CG, CI, CM, GA, GN, GQ, GW, ML, MR, NE, SN, TD, TG).

Published:

- with international search report (Art. 21(3))
- before the expiration of the time limit for amending the claims and to be republished in the event of receipt of amendments (Rule 48.2(h))

(88) Date of publication of the international search report:
6 October 2011

(54) Title: SEALING APPARATUS AND METHOD

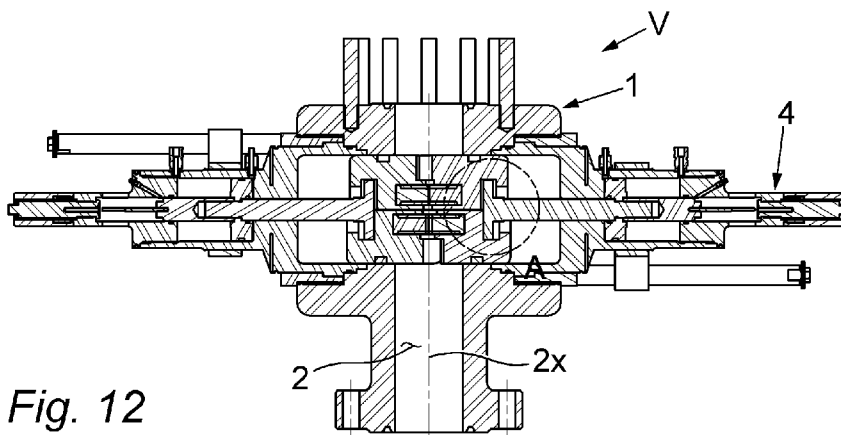


Fig. 12

(57) Abstract: A sealing apparatus and method is disclosed, particularly for sealing around an elongate member which passes through a throughbore of a valve device, the apparatus having an upper sealing element and a lower sealing element, each being adapted to change configuration from an open configuration to a sealed configuration within the valve device to seal the throughbore of the valve device around the elongate member. The upper and lower sealing elements are separate and moveable independently from one another, and are configured to be actuated between open and sealed configurations by a common actuator. This actuation reduces the stack height and the weight of the valve, and reduces the number of well seals.



WO 2011/027149 A3

INTERNATIONAL SEARCH REPORT

International application No PCT/GB2010/051438

A. CLASSIFICATION OF SUBJECT MATTER INV. E21B33/072 ADD.				
According to International Patent Classification (IPC) or to both national classification and IPC				
B. FIELDS SEARCHED				
Minimum documentation searched (classification system followed by classification symbols) E21B				
Documentation searched other than minimum documentation to the extent that such documents are included in the fields searched				
Electronic data base consulted during the international search (name of data base and, where practical, search terms used) EPO-Internal				
C. DOCUMENTS CONSIDERED TO BE RELEVANT				
Category*	Citation of document, with indication, where appropriate, of the relevant passages	Relevant to claim No.		
X	US 4 938 290 A (LEGGETT HENRY H [US] ET AL) 3 July 1990 (1990-07-03)	1-13, 19-37, 40,41		
A	column 6 - column 8; figure 1	14-18, 38,39		
A	----- US 2008/296016 A1 (HUGHES WILLIAM JAMES [US] ET AL) 4 December 2008 (2008-12-04) page 2, paragraph 22 - paragraph 26; figure 1	1-41		
A	----- US 2008/135791 A1 (JUDA JOHN DAVID [US] ET AL) 12 June 2008 (2008-06-12) figures 4,5	1-41		
A	----- US 5 287 879 A (LEGGETT HENRY H [US] ET AL) 22 February 1994 (1994-02-22) figure 2B	1-41		
	----- -/--			
<input checked="" type="checkbox"/> Further documents are listed in the continuation of Box C. <input checked="" type="checkbox"/> See patent family annex.				
* Special categories of cited documents : <table style="width: 100%; border: none;"> <tr> <td style="width: 50%; border: none; vertical-align: top;"> "A" document defining the general state of the art which is not considered to be of particular relevance "E" earlier document but published on or after the international filing date "L" document which may throw doubts on priority claim(s) or which is cited to establish the publication date of another citation or other special reason (as specified) "O" document referring to an oral disclosure, use, exhibition or other means "P" document published prior to the international filing date but later than the priority date claimed </td> <td style="width: 50%; border: none; vertical-align: top;"> "T" later document published after the international filing date or priority date and not in conflict with the application but cited to understand the principle or theory underlying the invention "X" document of particular relevance; the claimed invention cannot be considered novel or cannot be considered to involve an inventive step when the document is taken alone "Y" document of particular relevance; the claimed invention cannot be considered to involve an inventive step when the document is combined with one or more other such documents, such combination being obvious to a person skilled in the art. "&" document member of the same patent family </td> </tr> </table>			"A" document defining the general state of the art which is not considered to be of particular relevance "E" earlier document but published on or after the international filing date "L" document which may throw doubts on priority claim(s) or which is cited to establish the publication date of another citation or other special reason (as specified) "O" document referring to an oral disclosure, use, exhibition or other means "P" document published prior to the international filing date but later than the priority date claimed	"T" later document published after the international filing date or priority date and not in conflict with the application but cited to understand the principle or theory underlying the invention "X" document of particular relevance; the claimed invention cannot be considered novel or cannot be considered to involve an inventive step when the document is taken alone "Y" document of particular relevance; the claimed invention cannot be considered to involve an inventive step when the document is combined with one or more other such documents, such combination being obvious to a person skilled in the art. "&" document member of the same patent family
"A" document defining the general state of the art which is not considered to be of particular relevance "E" earlier document but published on or after the international filing date "L" document which may throw doubts on priority claim(s) or which is cited to establish the publication date of another citation or other special reason (as specified) "O" document referring to an oral disclosure, use, exhibition or other means "P" document published prior to the international filing date but later than the priority date claimed	"T" later document published after the international filing date or priority date and not in conflict with the application but cited to understand the principle or theory underlying the invention "X" document of particular relevance; the claimed invention cannot be considered novel or cannot be considered to involve an inventive step when the document is taken alone "Y" document of particular relevance; the claimed invention cannot be considered to involve an inventive step when the document is combined with one or more other such documents, such combination being obvious to a person skilled in the art. "&" document member of the same patent family			
Date of the actual completion of the international search	Date of mailing of the international search report			
4 August 2011	16/08/2011			
Name and mailing address of the ISA/ European Patent Office, P.B. 5818 Patentlaan 2 NL - 2280 HV Rijswijk Tel. (+31-70) 340-2040, Fax: (+31-70) 340-3016	Authorized officer Morrish, Susan			

INTERNATIONAL SEARCH REPORT

International application No
PCT/GB2010/051438

C(Continuation). DOCUMENTS CONSIDERED TO BE RELEVANT

Category*	Citation of document, with indication, where appropriate, of the relevant passages	Relevant to claim No.
A	US 4 456 215 A (BISHOP THOMAS R [US] ET AL) 26 June 1984 (1984-06-26) the whole document -----	1-41

INTERNATIONAL SEARCH REPORT

Information on patent family members

International application No PCT/GB2010/051438

Patent document cited in search report	Publication date	Publication date	Patent family member(s)	Publication date
US 4938290	A	03-07-1990	CA 2002562 A1 DE 68920033 D1 EP 0403707 A1	19-12-1990 26-01-1995 27-12-1990

US 2008296016	A1	04-12-2008	US 2010200213 A1	12-08-2010

US 2008135791	A1	12-06-2008	AR 064218 A1 AU 2007333153 A1 CA 2672463 A1 CN 101600847 A EP 2092152 A1 WO 2008073874 A1	18-03-2009 19-06-2008 19-06-2008 09-12-2009 26-08-2009 19-06-2008

US 5287879	A	22-02-1994	NONE	

US 4456215	A	26-06-1984	NONE	
