



(51) International Patent Classification:
A61B 17/115 (2006.01)

(21) International Application Number:
PCT/US2012/028886

(22) International Filing Date:
13 March 2012 (13.03.2012)

(25) Filing Language: English

(26) Publication Language: English

(30) Priority Data:

| | | |
|------------|----------------------------|----|
| 61/452,432 | 14 March 2011 (14.03.2011) | US |
| 13/181,768 | 13 July 2011 (13.07.2011) | US |
| 13/181,827 | 13 July 2011 (13.07.2011) | US |
| 13/181,801 | 13 July 2011 (13.07.2011) | US |
| 13/181,779 | 13 July 2011 (13.07.2011) | US |
| 13/181,774 | 13 July 2011 (13.07.2011) | US |
| 13/181,807 | 13 July 2011 (13.07.2011) | US |
| 13/181,786 | 13 July 2011 (13.07.2011) | US |
| 13/181,831 | 13 July 2011 (13.07.2011) | US |
| 13/181,836 | 13 July 2011 (13.07.2011) | US |
| 13/181,842 | 13 July 2011 (13.07.2011) | US |
| 13/181,798 | 13 July 2011 (13.07.2011) | US |

(71) Applicant (for all designated States except US):
ETHICON ENDO-SURGERY, INC. [US/US]; 4545
Creek Road, Cincinnati, OH 45242 (US).

(72) Inventors; and
(75) Inventors/Applicants (for US only): **SHELTON, Freder-
ick, E.** [US/US]; 245 East Main Street, Hillsboro, OH
45133 (US). **ARONHALT, Taylor, W.** [US/US]; 306
Beech Road, Loveland, OH 45140 (US). **BAXTER,
Chester, O.** [US/US]; 6375 Pawnee Ridge, Loveland, OH
45140 (US). **ORTIZ, Mark, S.** [US/US]; 1145 Glen Echo
Lane, Milford, OH 45150 (US). **AVIMUKTA, Kreena, B.**
[US/US]; 3737 Thorngate Drive, Mason, OH 45040 (US).
WEISENBURGH, William, B. [US/US]; 974 Airymead-
ows Drive, Maineville, OH 45039 (US). **MORGAN,
Jerome, R.** [US/US]; 3275 S. Whitetree Circle, Cincinnati,
OH 45236 (US). **HEEB, Emily, A.** [US/US]; 3557 Paxton
Avenue #2, Cincinnati, OH 45208 (US). **HESS, Chris-
topher, J.** [US/US]; 1704 East Mcmillan Street, Cincin-
nati, OH 45206 (US). **YOUNG, Joseph, E.** [US/US]; 9523
Carroll Court, Loveland, OH 45140 (US). **WORRELL,
Barry, C.** [US/US]; 1647 Lago Mar Drive, Centerville,
OH 45458 (US). **SCHALL, Christopher, J.** [US/US]; 688
Whippoorwill Drive, Cincinnati, OH 45244 (US).

[Continued on next page]

(54) Title: SURGICAL STAPLING INSTRUMENTS

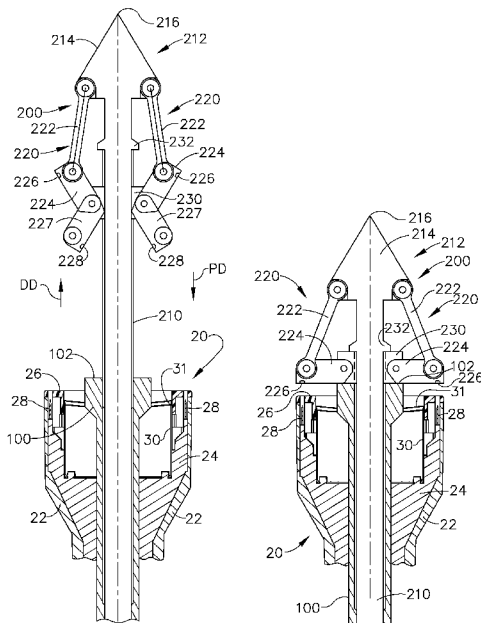


FIG. 2

FIG. 3

(57) Abstract: Circular stapling instruments and anvil assemblies. The anvil assemblies may have collapsible anvil support members that may be inserted through an opening in a patient and then expanded to be attached to an anvil plate assembly that has a staple-forming surface thereon. The anvil support member is attachable to the anvil plate assembly in such a way that when the anvil assembly is coupled to the stapling head of a circular stapler, the staple-forming surface is in substantial registry with the staples supported in the stapling head. A variety of different anvil support members and anvil plate assemblies are disclosed.

WO 2012/125615 A3



(74) **Agents:** JOHNSON, Philip, S. et al.; Johnson & Johnson, One Johnson & Johnson Plaza, New Brunswick, NJ 08933 (US).

LT, LU, LV, MC, MK, MT, NL, NO, PL, PT, RO, RS, SE, SI, SK, SM, TR), OAPI (BF, BJ, CF, CG, CI, CM, GA, GN, GQ, GW, ML, MR, NE, SN, TD, TG).

(81) **Designated States** (unless otherwise indicated, for every kind of national protection available): AE, AG, AL, AM, AO, AT, AU, AZ, BA, BB, BG, BH, BR, BW, BY, BZ, CA, CH, CL, CN, CO, CR, CU, CZ, DE, DK, DM, DO, DZ, EC, EE, EG, ES, FI, GB, GD, GE, GH, GM, GT, HN, HR, HU, ID, IL, IN, IS, JP, KE, KG, KM, KN, KP, KR, KZ, LA, LC, LK, LR, LS, LT, LU, LY, MA, MD, ME, MG, MK, MN, MW, MX, MY, MZ, NA, NG, NI, NO, NZ, OM, PE, PG, PH, PL, PT, QA, RO, RS, RU, RW, SC, SD, SE, SG, SK, SL, SM, ST, SV, SY, TH, TJ, TM, TN, TR, TT, TZ, UA, UG, US, UZ, VC, VN, ZA, ZM, ZW.

Declarations under Rule 4.17:

- as to the identity of the inventor (Rule 4.17(i))
- as to applicant's entitlement to apply for and be granted a patent (Rule 4.17(ii))
- as to the applicant's entitlement to claim the priority of the earlier application (Rule 4.17(iii))

Published:

- with international search report (Art. 21(3))
- before the expiration of the time limit for amending the claims and to be republished in the event of receipt of amendments (Rule 48.2(h))

(84) **Designated States** (unless otherwise indicated, for every kind of regional protection available): ARIPO (BW, GH, GM, KE, LR, LS, MW, MZ, NA, RW, SD, SL, SZ, TZ, UG, ZM, ZW), Eurasian (AM, AZ, BY, KG, KZ, MD, RU, TJ, TM), European (AL, AT, BE, BG, CH, CY, CZ, DE, DK, EE, ES, FI, FR, GB, GR, HR, HU, IE, IS, IT,

(88) **Date of publication of the international search report:**

17 January 2013

INTERNATIONAL SEARCH REPORT

International application No
PCT/US2012/028886

A. CLASSIFICATION OF SUBJECT MATTER
INV. A61B17/115
ADD.

According to International Patent Classification (IPC) or to both national classification and IPC

B. FIELDS SEARCHED

Minimum documentation searched (classification system followed by classification symbols)
A61B

Documentation searched other than minimum documentation to the extent that such documents are included in the fields searched

Electronic data base consulted during the international search (name of data base and, where practicable, search terms used)

EPO-Internal

C. DOCUMENTS CONSIDERED TO BE RELEVANT

| Category* | Citation of document, with indication, where appropriate, of the relevant passages | Relevant to claim No. |
|-----------|---|---|
| X | US 2006/201989 A1 (OJEDA HERMINIO F [US]) 14 September 2006 (2006-09-14) | 1-10, 12-14, 19-22, 26, 28-32, 36,38, 52-57 39,58,67 |
| A | paragraphs [0061], [0062], [0065], [0082]; figures 1a,1b,3,6,9,10,12,14 ----- | |
| X | US 4 893 622 A (GREEN DAVID T [US] ET AL) 16 January 1990 (1990-01-16) | 1-8, 19-22, 26, 28-32, 36,38, 52-57 |
| Y A | figures 6,13,14,17,18 ----- -/-- | 13,14 39,58,67 |

Further documents are listed in the continuation of Box C.

See patent family annex.

* Special categories of cited documents :

- "A" document defining the general state of the art which is not considered to be of particular relevance
- "E" earlier application or patent but published on or after the international filing date
- "L" document which may throw doubts on priority claim(s) or which is cited to establish the publication date of another citation or other special reason (as specified)
- "O" document referring to an oral disclosure, use, exhibition or other means
- "P" document published prior to the international filing date but later than the priority date claimed

- "T" later document published after the international filing date or priority date and not in conflict with the application but cited to understand the principle or theory underlying the invention
- "X" document of particular relevance; the claimed invention cannot be considered novel or cannot be considered to involve an inventive step when the document is taken alone
- "Y" document of particular relevance; the claimed invention cannot be considered to involve an inventive step when the document is combined with one or more other such documents, such combination being obvious to a person skilled in the art
- "&" document member of the same patent family

Date of the actual completion of the international search

14 November 2012

Date of mailing of the international search report

23/11/2012

Name and mailing address of the ISA/
European Patent Office, P.B. 5818 Patentlaan 2
NL - 2280 HV Rijswijk
Tel. (+31-70) 340-2040,
Fax: (+31-70) 340-3016

Authorized officer

Assion, Jean-Charles

INTERNATIONAL SEARCH REPORT

International application No

PCT/US2012/028886

| C(Continuation). DOCUMENTS CONSIDERED TO BE RELEVANT | | |
|--|---|---|
| Category* | Citation of document, with indication, where appropriate, of the relevant passages | Relevant to claim No. |
| X | US 5 839 639 A (SAUER JUDE S [US] ET AL) 24 November 1998 (1998-11-24) | 1-10, 12-14, 19-22, 26, 28-32, 36,38, 52-57 |
| A | columns 4-5; figures 1,3,6,9 ----- | 39,58,67 |
| A | WO 2010/054404 A1 (BAROSENSE INC [US]; BALBIERZ DANIEL J [US]; HAMBLY PABLO R [US]; STEWA) 14 May 2010 (2010-05-14) figure 24 ----- | 1,39,52, 53,58,67 |
| Y | EP 2 153 781 A2 (TYCO HEALTHCARE [US]) 17 February 2010 (2010-02-17) | 13,14 |
| A | figures 16,17,21 ----- | 1,53 |
| A | US 5 562 690 A (GREEN DAVID T [US] ET AL) 8 October 1996 (1996-10-08) figures 3,6,7,8 ----- | 1,53 |
| X | US 5 860 581 A (ROBERTSON JOHN CHARLES [US] ET AL) 19 January 1999 (1999-01-19) | 39,40, 44-47, 52, 58-62, 66-71 |
| | columns 4-5; figures 4,6-8,9,10-12 ----- | |
| A | US 4 505 272 A (UTYAMYSHEV RUSTAM I [SU] ET AL) 19 March 1985 (1985-03-19) columns 5-7; figures 2,3 ----- | 39,58 |
| A | WO 2009/023851 A1 (UNIV NEBRASKA [US]; FARRITOR SHANE M [US]; RENTSCHLER MARK [US]; LEHMA) 19 February 2009 (2009-02-19) paragraphs [0095], [0096]; figure 14 ----- | 39,58,67 |
| A | US 2007/023475 A1 (CSIKY LASZLO [HU]) 1 February 2007 (2007-02-01) figures 1,3 ----- | 39,52,53 |

INTERNATIONAL SEARCH REPORT

International application No.
PCT/US2012/028886

Box No. II Observations where certain claims were found unsearchable (Continuation of item 2 of first sheet)

This international search report has not been established in respect of certain claims under Article 17(2)(a) for the following reasons:

1. Claims Nos.: 15-18, 76, 77
because they relate to subject matter not required to be searched by this Authority, namely:
Rule 39.1(iv) PCT - Method for treatment of the human or animal body by surgery
Rule 39.1(iv) PCT - Method for treatment of the human or animal body by therapy
2. Claims Nos.:
because they relate to parts of the international application that do not comply with the prescribed requirements to such an extent that no meaningful international search can be carried out, specifically:
3. Claims Nos.:
because they are dependent claims and are not drafted in accordance with the second and third sentences of Rule 6.4(a).

Box No. III Observations where unity of invention is lacking (Continuation of item 3 of first sheet)

This International Searching Authority found multiple inventions in this international application, as follows:

see additional sheet

1. As all required additional search fees were timely paid by the applicant, this international search report covers all searchable claims.
2. As all searchable claims could be searched without effort justifying an additional fees, this Authority did not invite payment of additional fees.
3. As only some of the required additional search fees were timely paid by the applicant, this international search report covers only those claims for which fees were paid, specifically claims Nos.:
4. No required additional search fees were timely paid by the applicant. Consequently, this international search report is restricted to the invention first mentioned in the claims; it is covered by claims Nos.:

Remark on Protest

- The additional search fees were accompanied by the applicant's protest and, where applicable, the payment of a protest fee.
- The additional search fees were accompanied by the applicant's protest but the applicable protest fee was not paid within the time limit specified in the invitation.
- No protest accompanied the payment of additional search fees.

FURTHER INFORMATION CONTINUED FROM PCT/ISA/ 210

This International Searching Authority found multiple (groups of) inventions in this international application, as follows:

1. claims: 1-14, 19-38, 53-57

anvil plate having anvil plate segments having a collapsed and an expanded orientations

2. claims: 39-52, 58-75

anvil support member, linkage assembly and means for coupling anvil support member to anvil plate

INTERNATIONAL SEARCH REPORT

Information on patent family members

International application No

PCT/US2012/028886

| Patent document cited in search report | Publication date | Publication date | Patent family member(s) | Publication date |
|--|------------------|------------------|-------------------------|------------------|
| US 2006201989 | A1 | 14-09-2006 | NONE | |
| ----- | | | | |
| US 4893622 | A | 16-01-1990 | NONE | |
| ----- | | | | |
| US 5839639 | A | 24-11-1998 | NONE | |
| ----- | | | | |
| WO 2010054404 | A1 | 14-05-2010 | AU 2009313204 A1 | 14-05-2010 |
| | | | CA 2742469 A1 | 14-05-2010 |
| | | | EP 2352437 A1 | 10-08-2011 |
| | | | JP 2012508078 A | 05-04-2012 |
| | | | US 2010116867 A1 | 13-05-2010 |
| | | | US 2011192881 A1 | 11-08-2011 |
| | | | WO 2010054404 A1 | 14-05-2010 |
| ----- | | | | |
| EP 2153781 | A2 | 17-02-2010 | AT 531326 T | 15-11-2011 |
| | | | AU 2009208067 A1 | 04-03-2010 |
| | | | CA 2674848 A1 | 12-02-2010 |
| | | | EP 2153781 A2 | 17-02-2010 |
| | | | EP 2208468 A1 | 21-07-2010 |
| | | | EP 2308392 A1 | 13-04-2011 |
| | | | EP 2415407 A1 | 08-02-2012 |
| | | | ES 2374492 T3 | 17-02-2012 |
| | | | JP 2010042259 A | 25-02-2010 |
| | | | US 2010038401 A1 | 18-02-2010 |
| | | | US 2012104073 A1 | 03-05-2012 |
| ----- | | | | |
| US 5562690 | A | 08-10-1996 | NONE | |
| ----- | | | | |
| US 5860581 | A | 19-01-1999 | NONE | |
| ----- | | | | |
| US 4505272 | A | 19-03-1985 | CA 1192467 A1 | 27-08-1985 |
| | | | JP 58175550 A | 14-10-1983 |
| | | | SU 1114405 A1 | 23-09-1984 |
| | | | US 4505272 A | 19-03-1985 |
| ----- | | | | |
| WO 2009023851 | A1 | 19-02-2009 | CA 2695619 A1 | 19-02-2009 |
| | | | EP 2178456 A1 | 28-04-2010 |
| | | | JP 2010536436 A | 02-12-2010 |
| | | | US 2009048612 A1 | 19-02-2009 |
| | | | WO 2009023851 A1 | 19-02-2009 |
| ----- | | | | |
| US 2007023475 | A1 | 01-02-2007 | US 2007023475 A1 | 01-02-2007 |
| | | | US 2010155452 A1 | 24-06-2010 |
| | | | US 2012031951 A1 | 09-02-2012 |
| ----- | | | | |