



(12) **United States Design Patent**
Sappenfield et al.

(10) **Patent No.:** **US D860,652 S**
(45) **Date of Patent:** **** Sep. 24, 2019**

- (54) **HANDHELD DEVICE**
- (71) Applicant: **Christopher C. Sappenfield**, Goodyear, AZ (US)
- (72) Inventors: **Christopher C. Sappenfield**, Goodyear, AZ (US); **John Larkin**, Moscow, ID (US)
- (73) Assignee: **Christopher C. Sappenfield**, Goodyear, AZ (US)
- (**) Term: **15 Years**

D241,891 S *	10/1976	Cannon	D4/104
D279,526 S *	7/1985	Sturdza	D4/104
D286,467 S *	11/1986	Berghash	D4/108
5,040,553 A *	8/1991	Londono	A46B 5/02
				132/311
D390,008 S *	2/1998	Blosser	D4/108
D402,812 S *	12/1998	Goff	D4/108

(Continued)

Primary Examiner — Karen S Acker
Assistant Examiner — Jasmine Mlinarcik
(74) *Attorney, Agent, or Firm* — Christopher C. Sappenfield

- (21) Appl. No.: **29/589,470**
 - (22) Filed: **Dec. 30, 2016**
 - (51) **LOC (12) Cl.** **04-02**
 - (52) **U.S. Cl.**
USPC **D4/104**
 - (58) **Field of Classification Search**
USPC D4/100, 101, 102, 104, 105, 107, 108,
D4/109, 110, 111, 112, 113, 114, 116,
D4/119, 124; D24/119, 136, 146, 147,
D24/152, 156, 176, 221
CPC A46B 5/00; A46B 5/021; A46B 5/0095;
A46B 9/04; A46B 9/10; A46B 13/008;
A46B 13/02; A46B 13/04; A46B 13/08;
A46B 15/0081; A46B 2200/1026; A46B
2200/106; A46B 2200/1066; A46B
2200/1073; A46B 2200/108; A46B
2200/1086
- See application file for complete search history.

(57) **CLAIM**

The ornamental design of a handheld device, as shown and described.

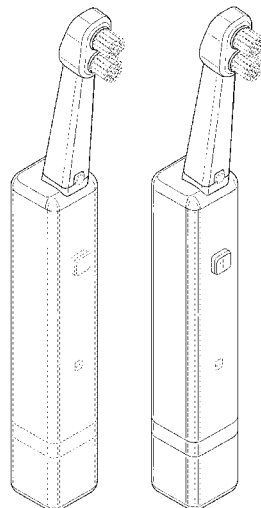
DESCRIPTION

FIG. 1 is a front perspective view of a handheld device according to the first embodiment; FIG. 2 is a rear perspective view thereof; FIG. 3 is a top view thereof; FIG. 4 is a front view thereof; FIG. 5 is a left side view thereof; FIG. 6 is a rear view thereof; FIG. 7 is a right side view thereof; FIG. 8 is a bottom view thereof; FIG. 9 is a front perspective view of the handheld device according to a second embodiment; FIG. 10 is a rear perspective view thereof; FIG. 11 is a top view thereof; FIG. 12 is a front view hereof; FIG. 13 is a left side view thereof; FIG. 14 is a rear view thereof; FIG. 15 is a right side view thereof; and, FIG. 16 is a bottom view thereof.

The broken lines shown in the drawings are for the purpose of illustrating unclaimed portions of the handheld device and form no part of the claimed design.

1 Claim, 8 Drawing Sheets

- (56) **References Cited**
U.S. PATENT DOCUMENTS
- | | | | | |
|--------------|---------|-----------------|-------|--------|
| D154,598 S * | 7/1949 | Gass | | D4/108 |
| D156,134 S * | 11/1949 | Lodewick et al. | | 15/184 |
| D170,095 S * | 7/1953 | Murry | | 15/184 |
| D219,121 S * | 11/1970 | Krahner | | D4/104 |
| D228,983 S * | 11/1973 | Janssens | | D4/101 |
| D235,491 S * | 6/1975 | Spiegel | | D4/101 |



(56)

References Cited

U.S. PATENT DOCUMENTS

D426,708	S	*	6/2000	Francis	D4/108
D439,413	S	*	3/2001	Klein	D4/108
D485,439	S	*	1/2004	Breit	D4/101
D611,712	S	*	3/2010	Stoerkel	D4/104
D764,248	S	*	8/2016	Eisinger	D8/70
D770,184	S	*	11/2016	Gabriele	D4/104
D812,378	S	*	3/2018	DeRicco	D4/110
2008/0109979	A1	*	5/2008	Jo	A46B 9/026 15/167.1

* cited by examiner

FIG. 1

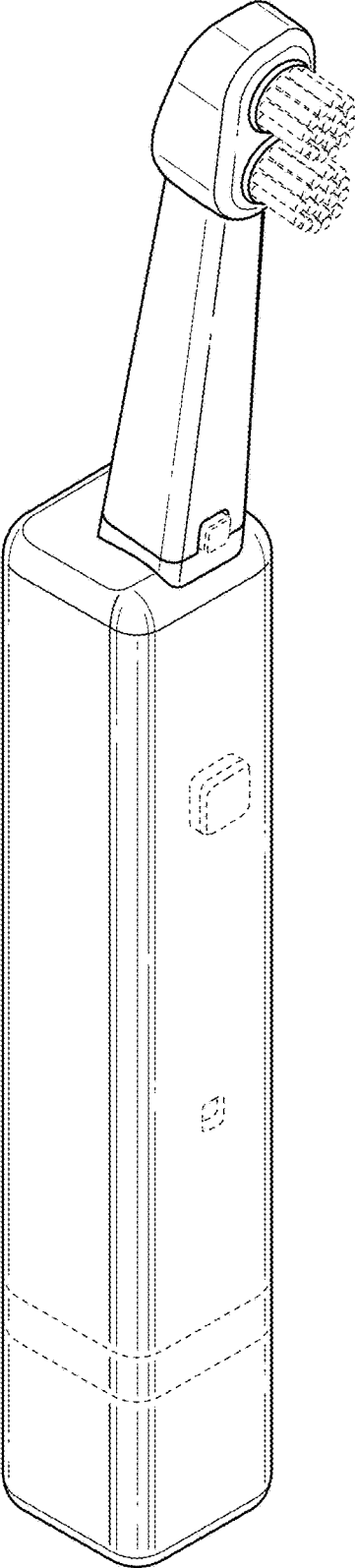


FIG.2

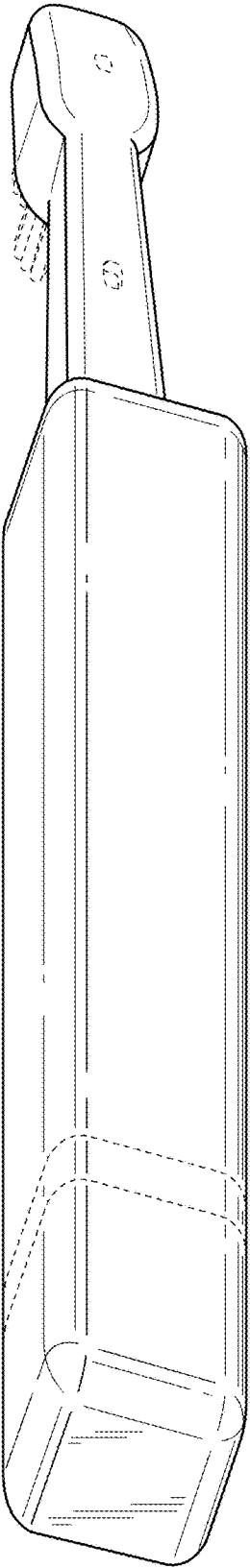


FIG. 3

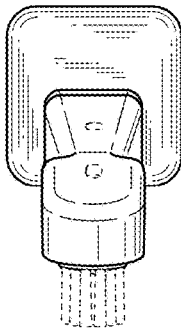


FIG. 4

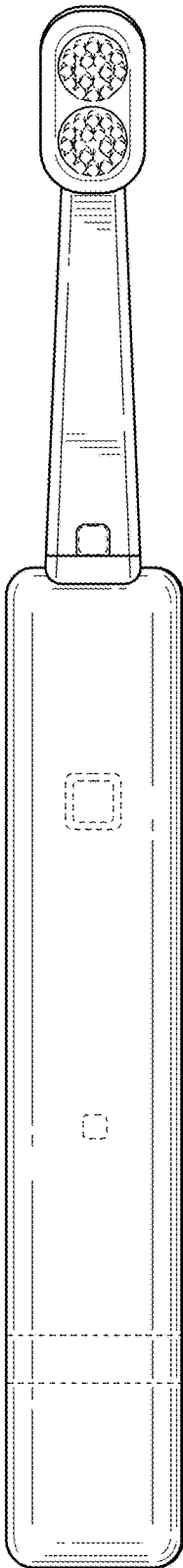


FIG. 5

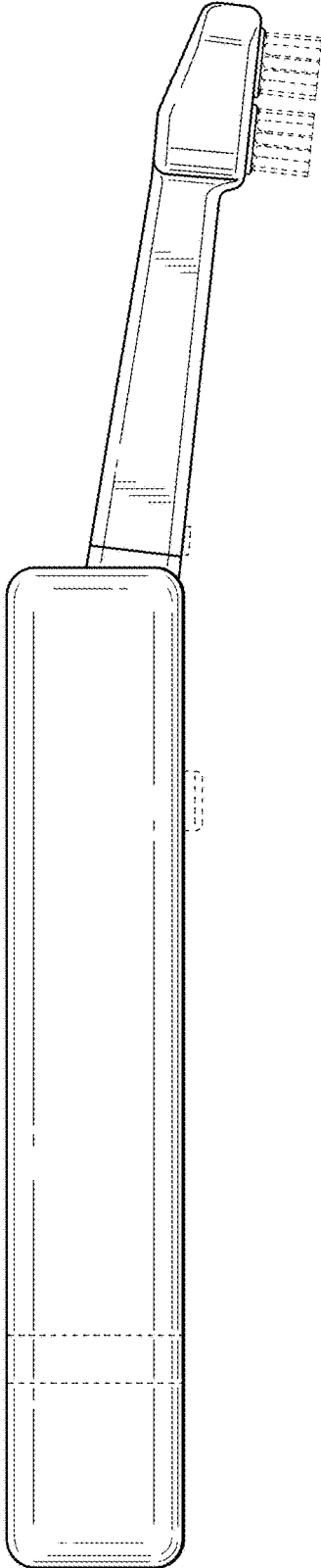


FIG. 6

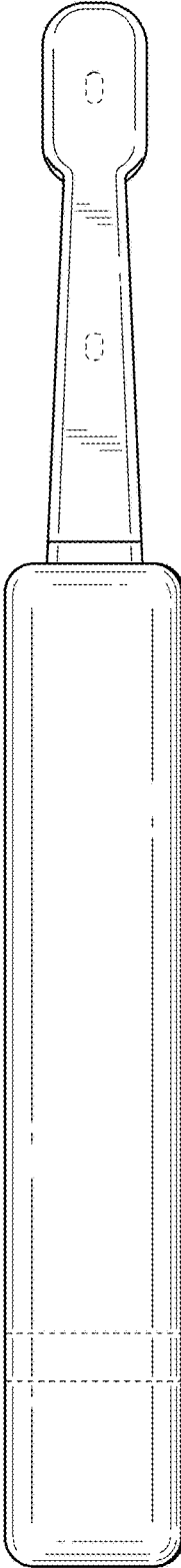


FIG. 7

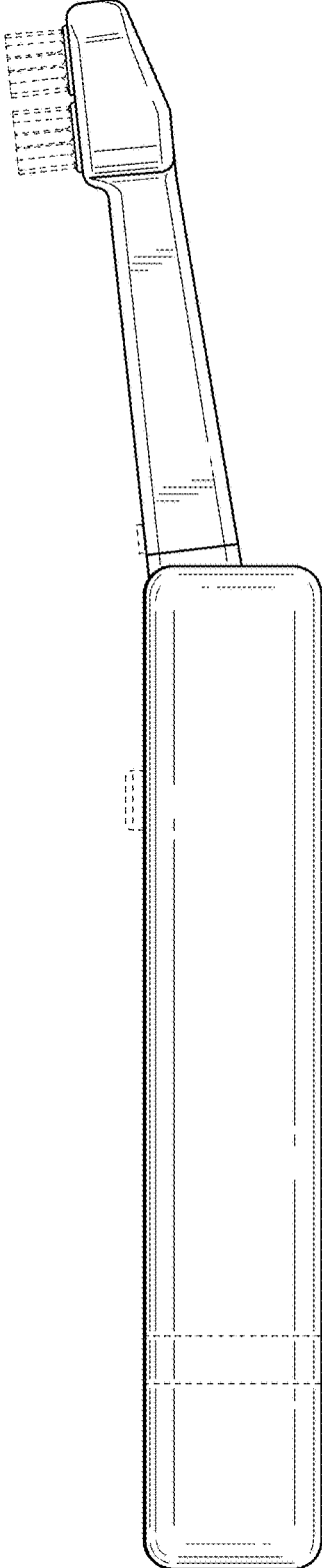


FIG. 8

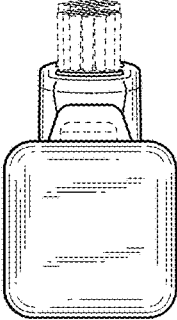


FIG. 9

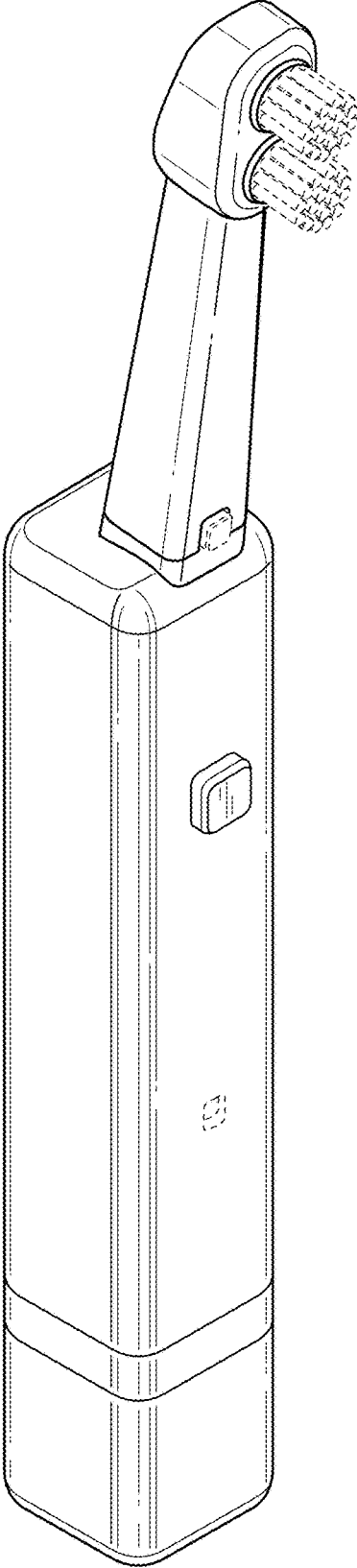


FIG. 10

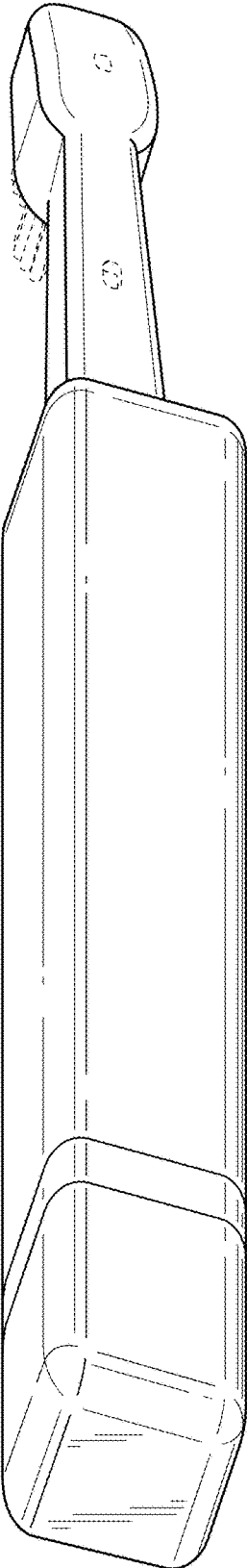


FIG. 11

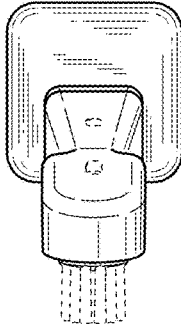


FIG. 12

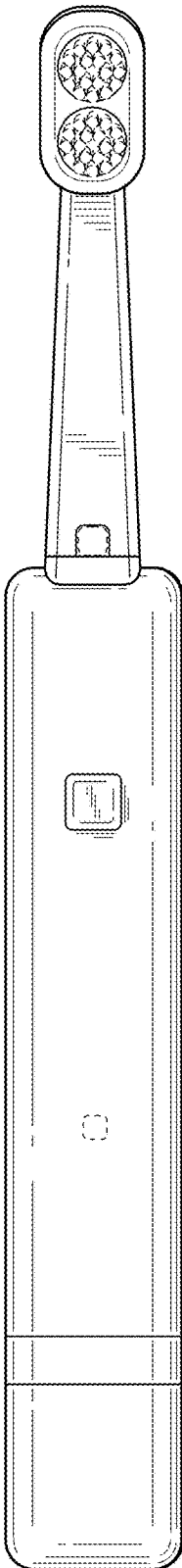


FIG. 13

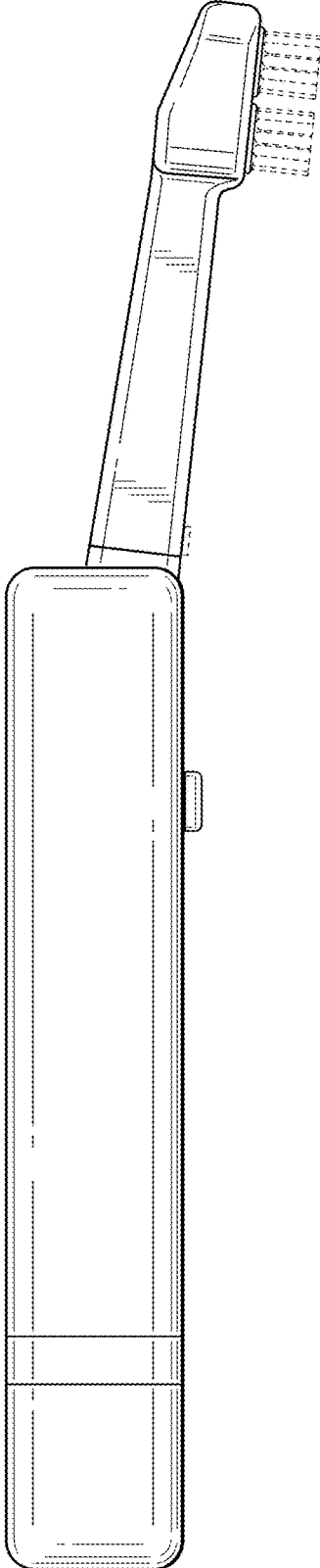


FIG. 14

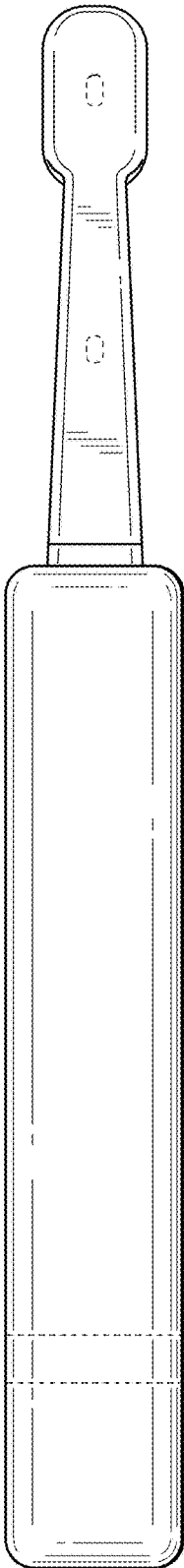


FIG. 15

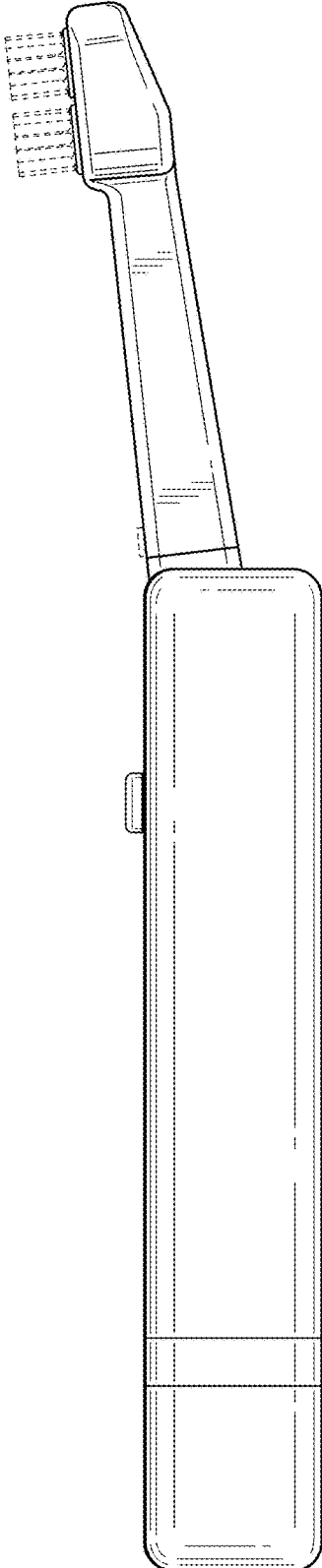


FIG. 16

