



US00D993289S

(12) **United States Design Patent**
Tsujimoto et al.

(10) **Patent No.:** **US D993,289 S**

(45) **Date of Patent:** **** Jul. 25, 2023**

(54) **WASHING MACHINE FOR MACHINED PARTS**

FOREIGN PATENT DOCUMENTS

JP D1706270 * 1/2022
JP D1717817 * 6/2022

(Continued)

(71) Applicant: **SUGINO MACHINE LIMITED**,
Uozu (JP)

(72) Inventors: **Kei Tsujimoto**, Tokyo (JP); **Kosuke Wakao**, Tokyo (JP); **Taiki Matsui**, Uozu (JP); **Takuya Aoki**, Uozu (JP); **Akihiro Ishitani**, Uozu (JP)

OTHER PUBLICATIONS

Metalex 2017, available in <https://www.sugino.com>, announced Nov. 22-25, 2017 [online], [site visited Jul. 27, 2022], Internet URL: <https://www.sugino.com/site/english/event-metalex2017.html> (Year: 2017).*

(**) Term: **15 Years**

(Continued)

(21) Appl. No.: **35/512,341**

Primary Examiner — Jennifer Rivard

Assistant Examiner — Jennylou M Binas

(22) Filed: **Feb. 10, 2021**

(74) *Attorney, Agent, or Firm* — Hamre, Schumann, Mueller & Larson, P.C.

(80) **Hague Agreement Data**

Int. Filing Date: **Feb. 10, 2021**

Int. Reg. No.: **DM/212759**

Int. Reg. Date: **Feb. 10, 2021**

Int. Reg. Pub. Date: **Aug. 13, 2021**

(57) **CLAIM**

The ornamental design for a washing machine for machined parts, as shown and described.

DESCRIPTION

(30) **Foreign Application Priority Data**

Oct. 7, 2020 (JP) 2020-021530 D

(51) **LOC (14) Cl.** **15-09**

(52) **U.S. Cl.**
USPC **D15/122; D32/1**

(58) **Field of Classification Search**
USPC D32/1, 5-8, 10, 13, 15, 35;
D15/122-143; D21/526

(Continued)

1. Washing machine for machined parts

1.1: Perspective

1.2: Perspective

1.3: Front

1.4: Back

1.5: Right

1.6: Left

1.7: Front

1.8: Top

1.9: Cross sectional

1.10: Cross sectional

1.11: Perspective

1.12: Front

1.13: Back

1.14: Right

1.15: Left

1.16: Top

1.17: Cross sectional

1.18: Perspective

(56) **References Cited**

U.S. PATENT DOCUMENTS

D271,770 S * 12/1983 Kono D15/199

4,835,993 A * 6/1989 Dreher D06F 95/00

68/210

(Continued)

(Continued)

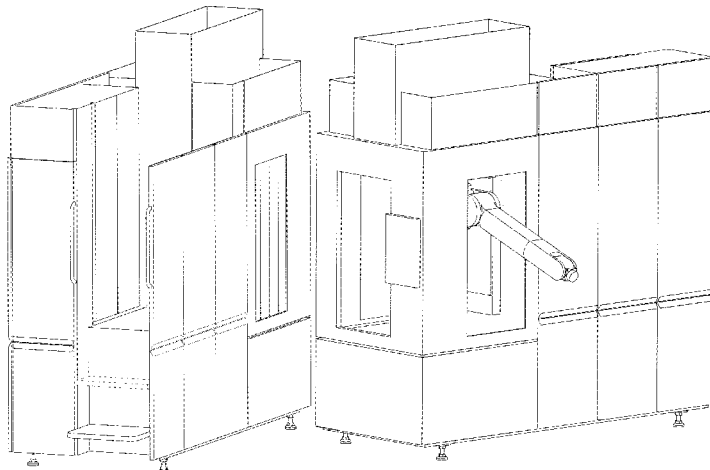


Fig. 1.7 is a front view showing the state in which the shutter on the front panel is open; figs. 1.11, 1.12, 1.13, 1.14, 1.15 and 1.16 are views showing the state in which the shutter on the left side panel is open and the arm comes out therefrom; fig. 1.18 is a perspective view showing the state in which the shutter on the right side panel is open and the arm comes out therefrom; fig. 1.9 is a cross-sectional view taken along the A-A line shown in the fig. 1.6; fig. 1.10 is a cross-sectional view taken along the B-B line shown in the fig. 1.7; fig. 1.17 is a cross-sectional view taken along the C-C line shown in the fig. 1.15. Features shown in broken lines form no part of the claimed design.

1 Claim, 18 Drawing Sheets

(58) **Field of Classification Search**

CPC .. B08B 3/02; B08B 3/04; B08B 3/024; B08B 3/102; B08B 9/02; B08B 9/0321; B08B 9/0495; B08B 13/00; B08B 13/10; B08B 17/00; B08B 2203/02; B08B 2203/0282; B23Q 5/10
See application file for complete search history.

(56) **References Cited**

U.S. PATENT DOCUMENTS

5,193,564	A	*	3/1993	Agulloo-Negui	B08B 3/04 134/155
D388,103	S	*	12/1997	Gotou	D15/127
D401,598	S	*	11/1998	Marietta	D15/122
D424,584	S	*	5/2000	Kawahara	D15/122
D426,685	S	*	6/2000	Sans Rovira	D32/6
D620,508	S	*	7/2010	Jacquet	D15/122
D627,375	S	*	11/2010	Jacquet	D15/122
D667,031	S	*	9/2012	Mueller	D15/122
D778,329	S	*	2/2017	Grobe	D15/122
D792,487	S	*	7/2017	Cruz	D15/122
D841,701	S	*	2/2019	Gallo	D15/122
D865,010	S	*	10/2019	Wakao	B08B 3/02 D15/122
D870,166	S	*	12/2019	Gallo	D15/127

D884,754	S	*	5/2020	André	E21B 7/024 D15/122
D894,977	S	*	9/2020	Cesar Brito	D15/135
D932,523	S	*	10/2021	Son	D15/127
D941,891	S	*	1/2022	Di Vita	D15/122
D943,647	S	*	2/2022	Gallo	D15/127
D947,906	S	*	4/2022	Jaun	D15/122
2003/0136433	A1	*	7/2003	Becknell	A47L 15/247 134/131

FOREIGN PATENT DOCUMENTS

WO	D212759-001	*	8/2021
WO	D214068-002	*	10/2021

OTHER PUBLICATIONS

Sugino Global leader in precision manufacturing equipment, joins Omic R&D as 23rd member, announced Feb. 14, 2019 [online], [site visited Jul. 27, 2022], Internet URL: <https://www.omic.us/announcements/post/sugino-global-leader-in-precision-manufacturing-equipment-joins-omic-rd-as-23rd-member> (Year: 2019).*

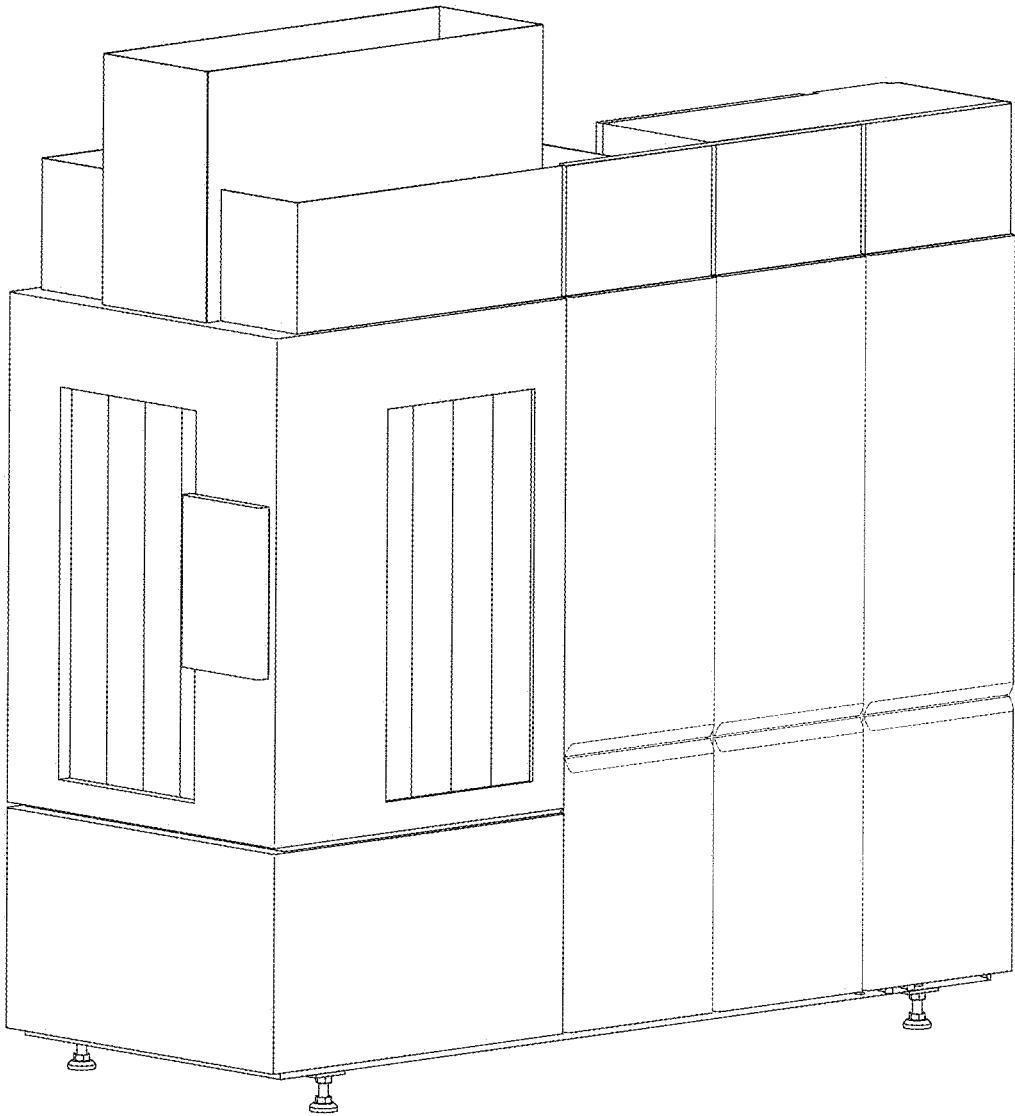
Sugino Products for the Aerospace Industry, announced in YouTube on Feb. 5, 2016 [online], [site visited Jul. 27, 2022], Available from the internet URL: <https://www.youtube.com/watch?v=gSB1mWWpMmU> (Year: 2016).*

Super High Pressure Deburring & Washing Machine, announced in YouTube on Feb. 7, 2017 [online], [site visited Jul. 27, 2022], Available from the internet URL: <https://www.youtube.com/watch?v=twjgOauYBto> (Year: 2017).*

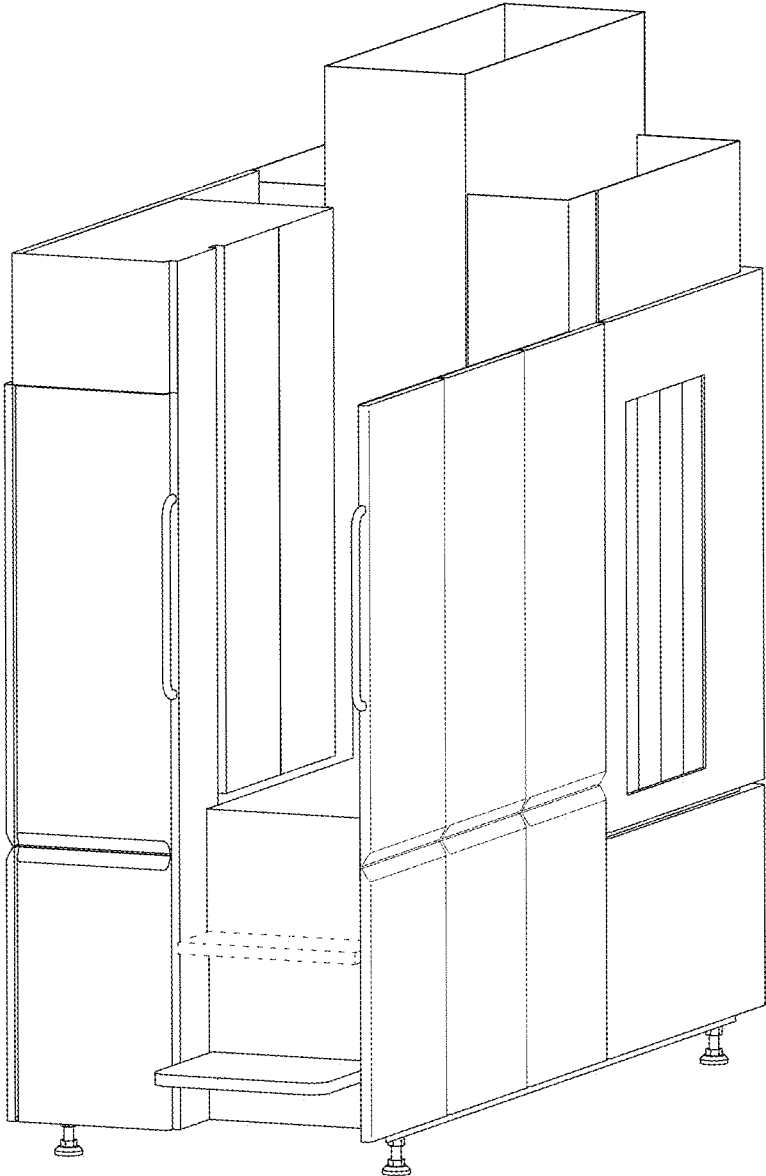
Self-Center NSV15-II #30 Vertical Compact Machining Center, earliest posted date in WayBack Machine date Jun. 6, 2018 [online], [site visited Jul. 27, 2022], Available from the internet URL: <https://www.sugino.com/site/machining-center-e/sc-mc-type-nsv15-2.html> (Year: 2018).*

JCC 603 Robo: Robot hand Type Deburring and Washing Machine, earliest posted date in WayBack Machine date Apr. 13, 2019 [online], [site visited Jul. 27, 2022], Available from the internet URL: <https://www.sugino.com/site/washing-deburring-machine-e/jm-type-jcc-603-robo.html> (Year: 2019).*

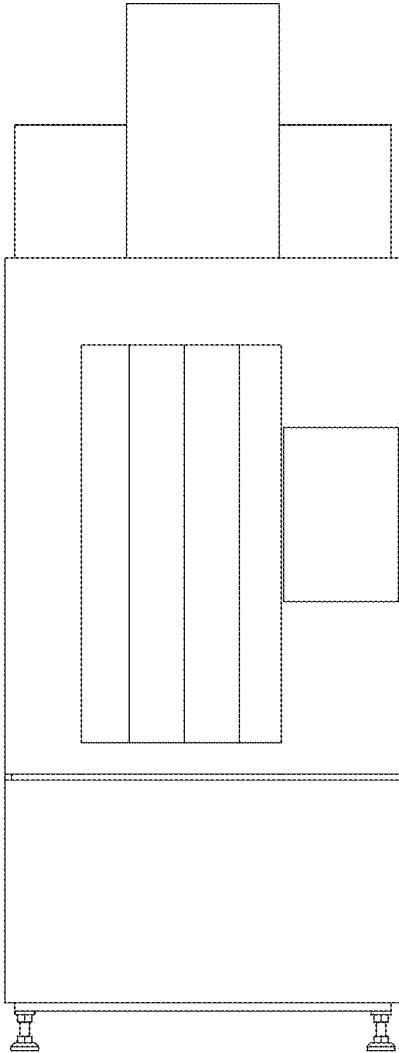
* cited by examiner



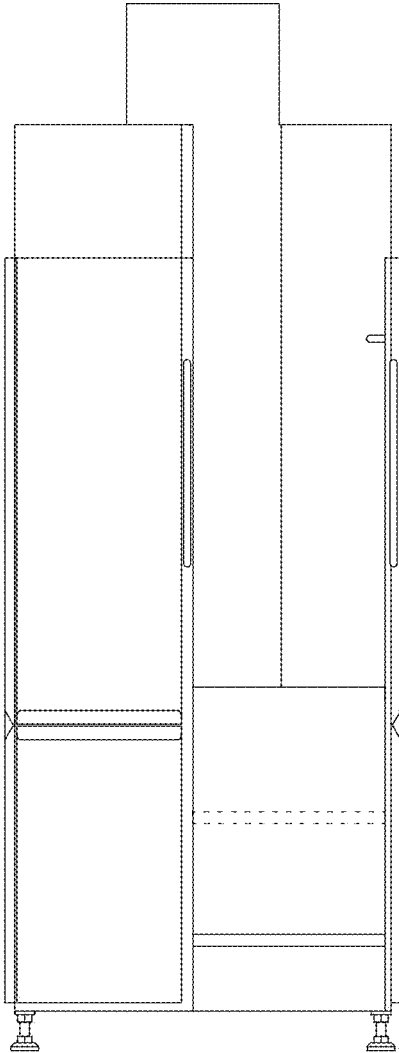
1.1



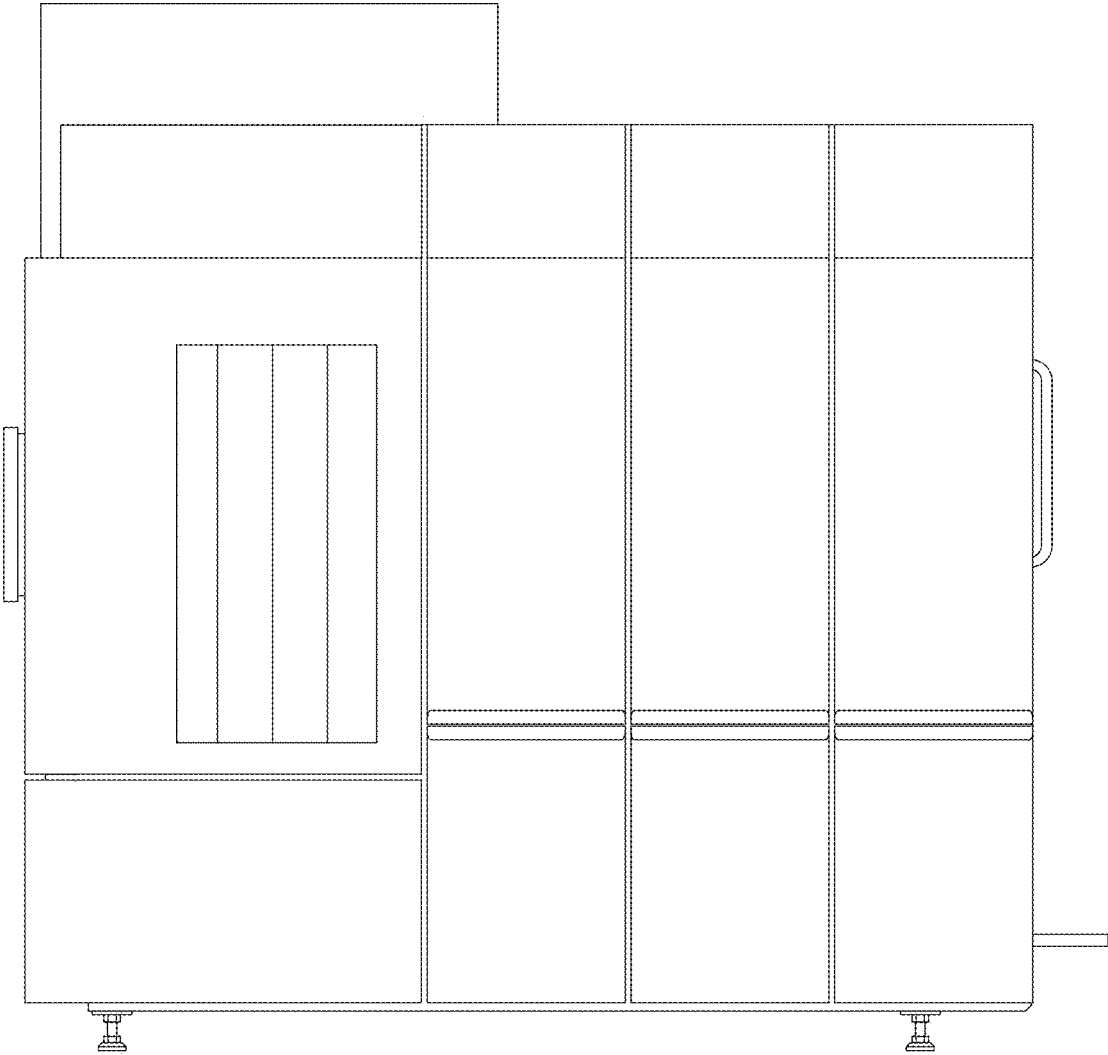
1.2



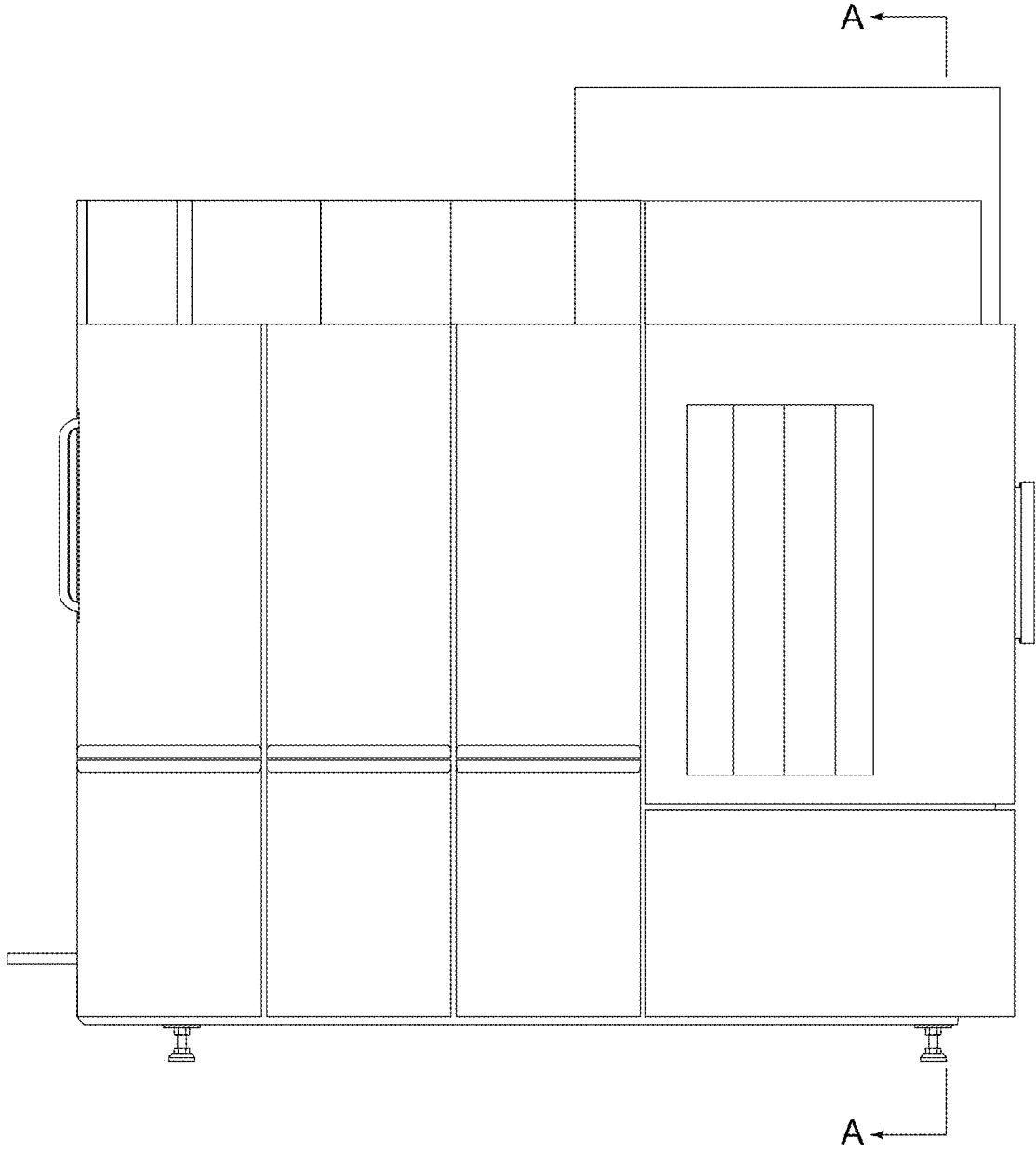
1.3



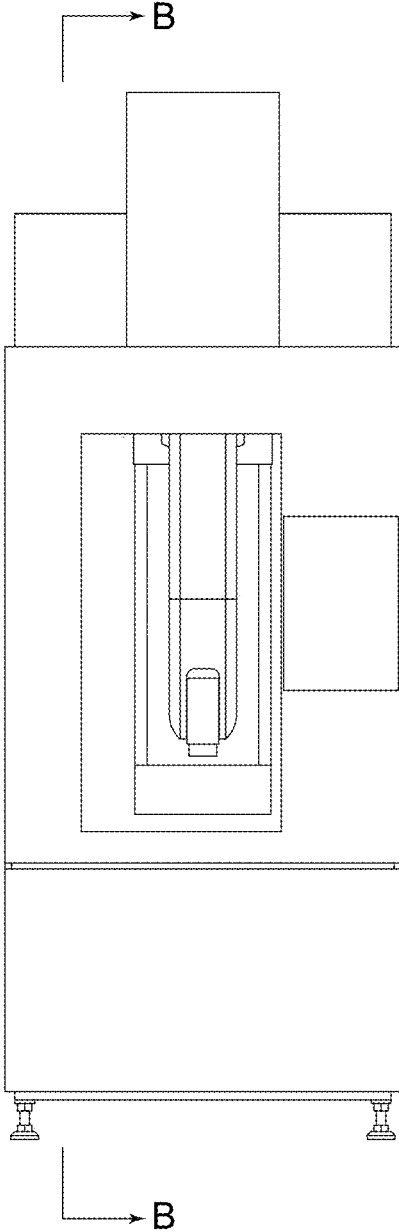
1.4



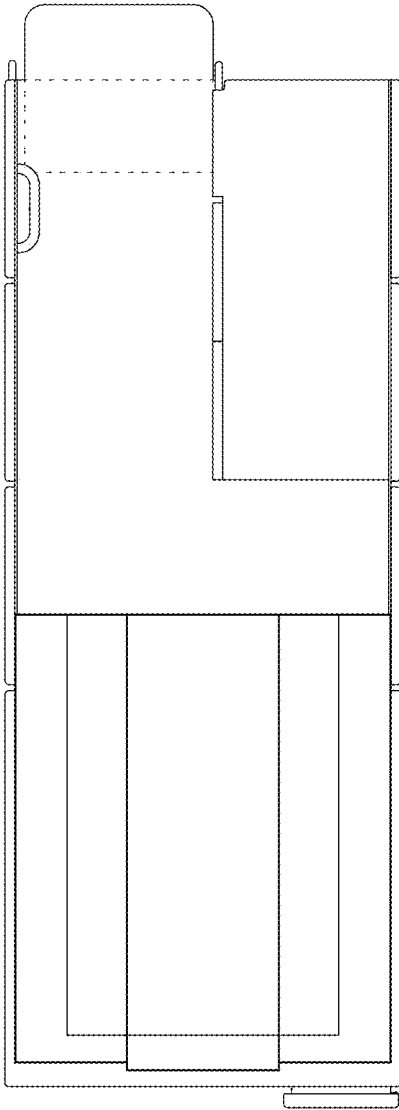
1.5



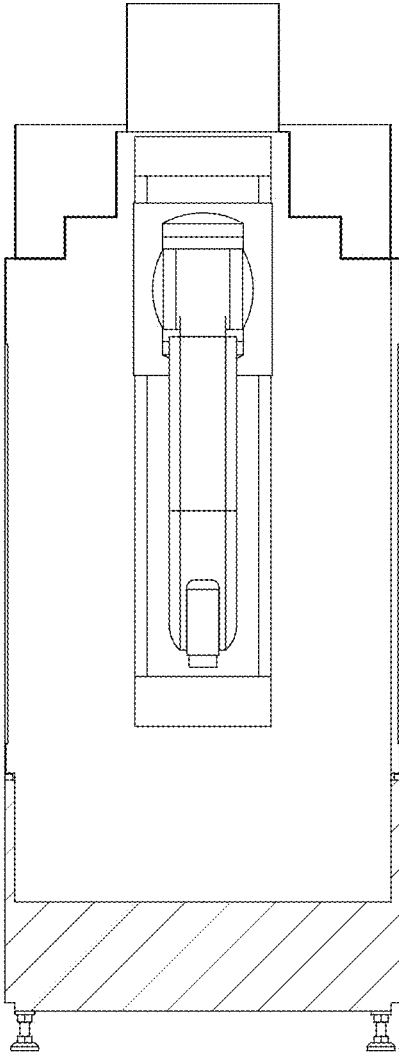
1.6



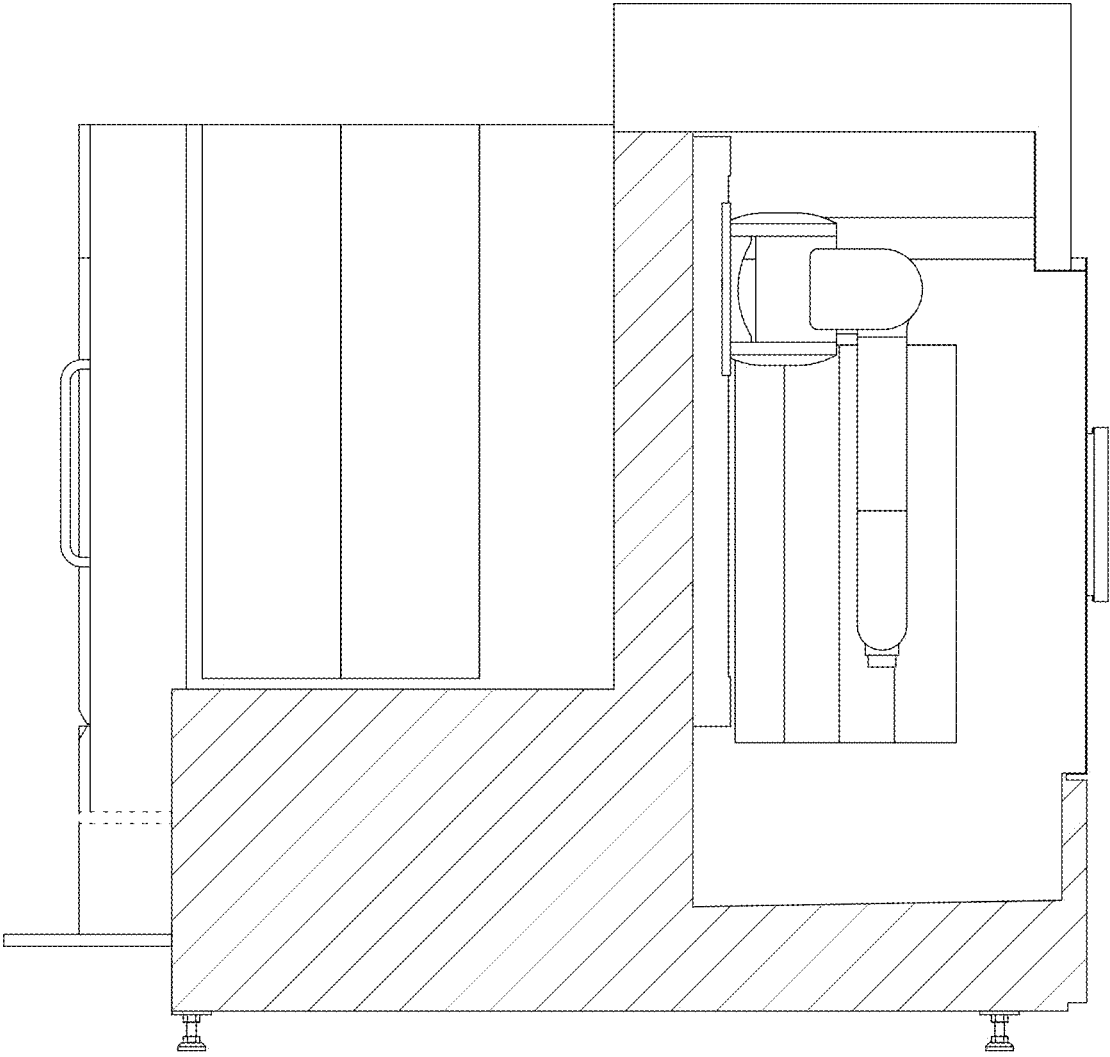
1.7



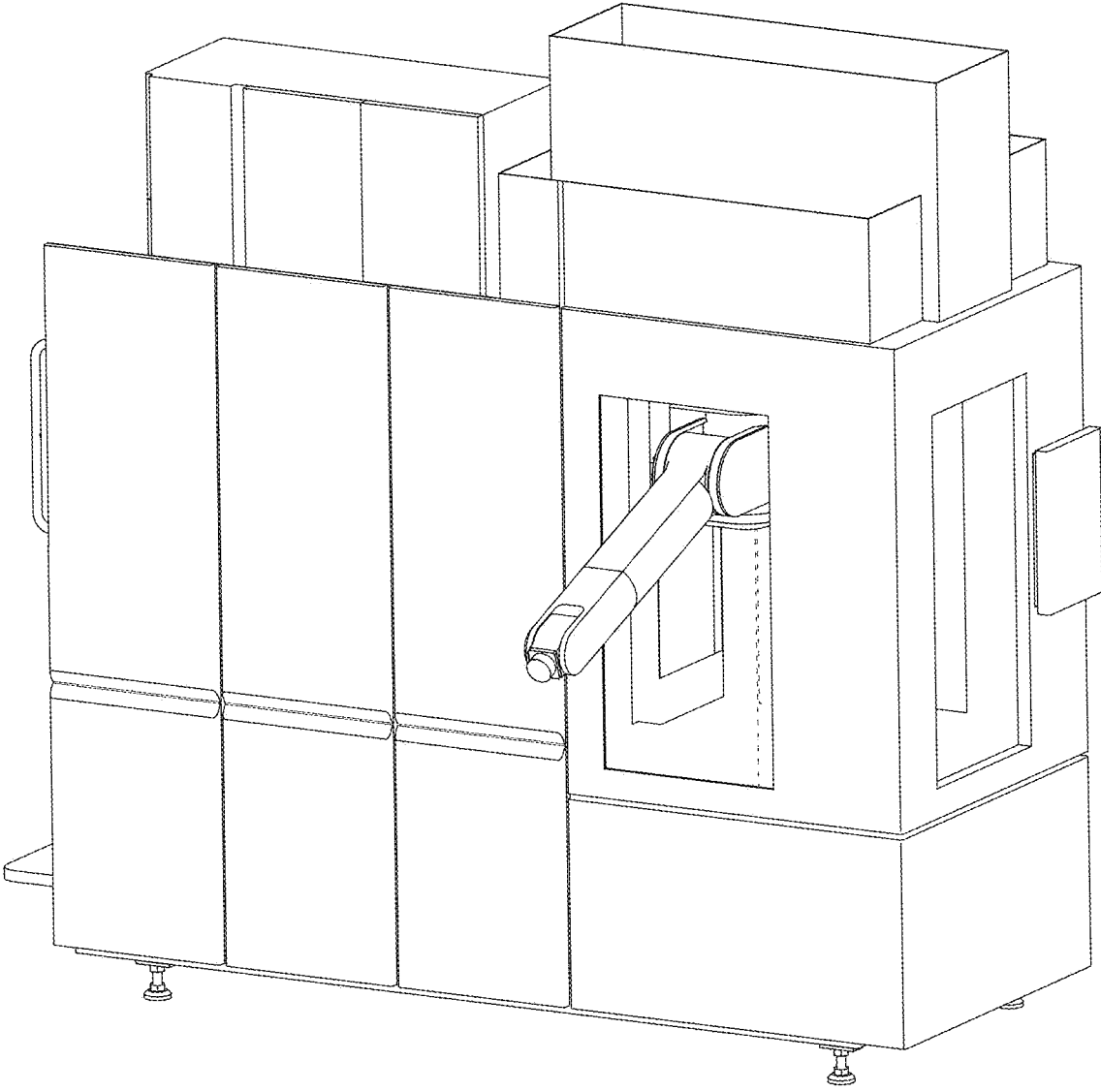
1.8



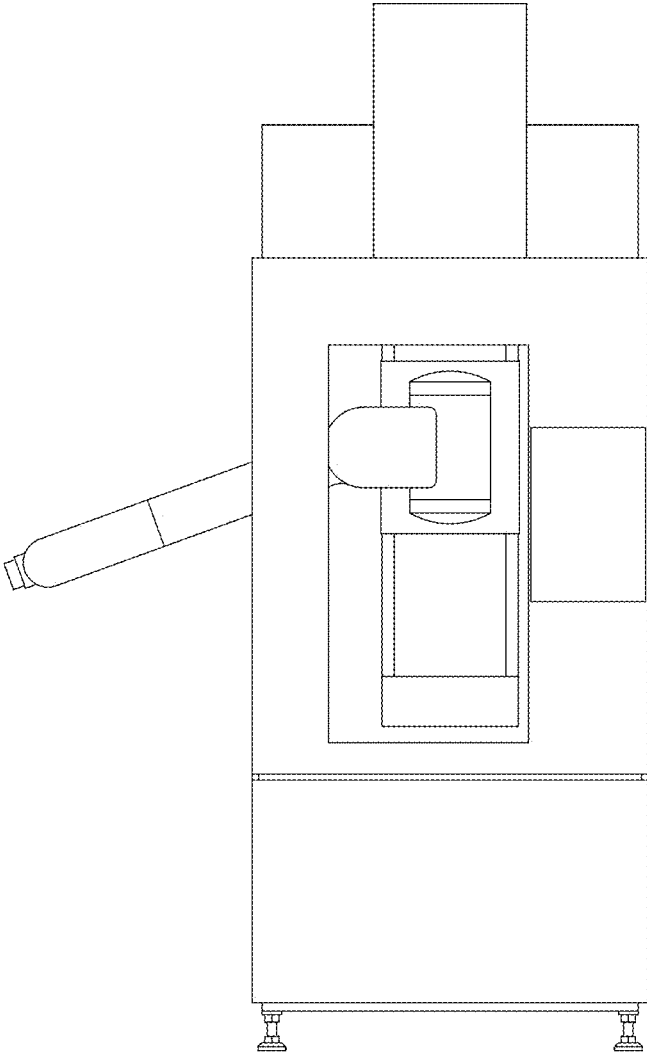
1.9



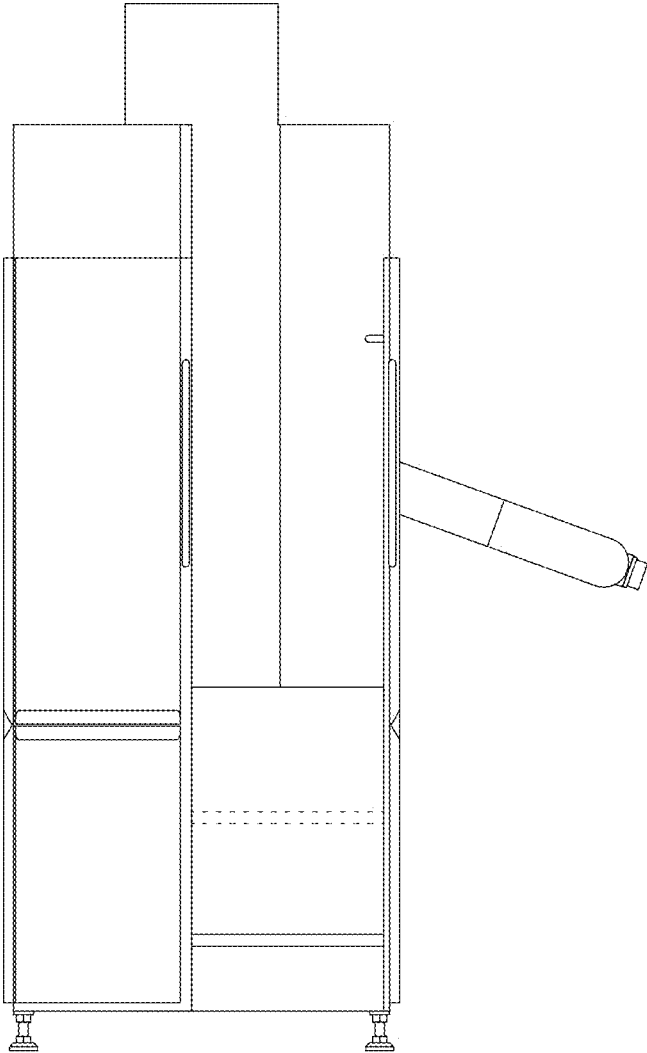
1.10



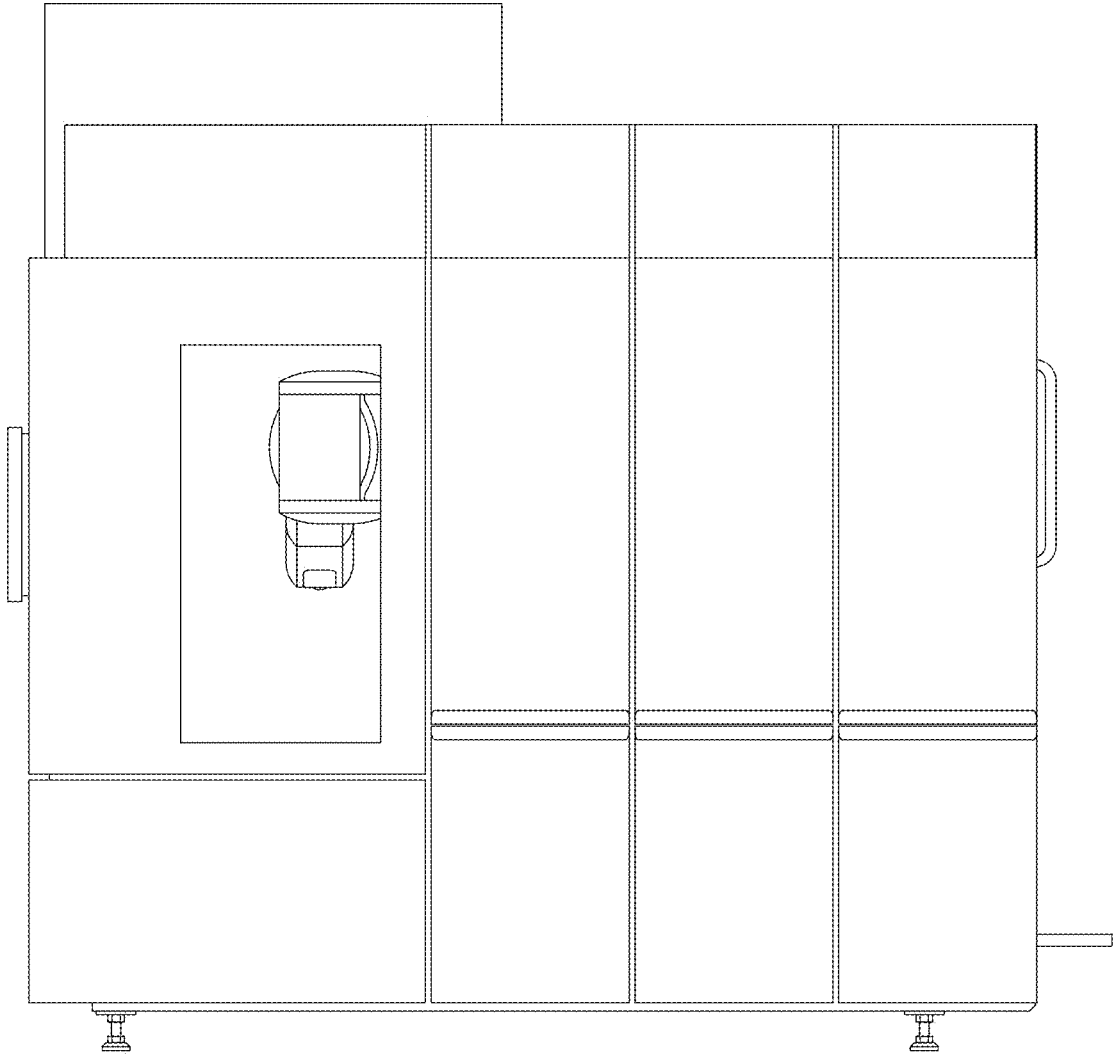
1.11



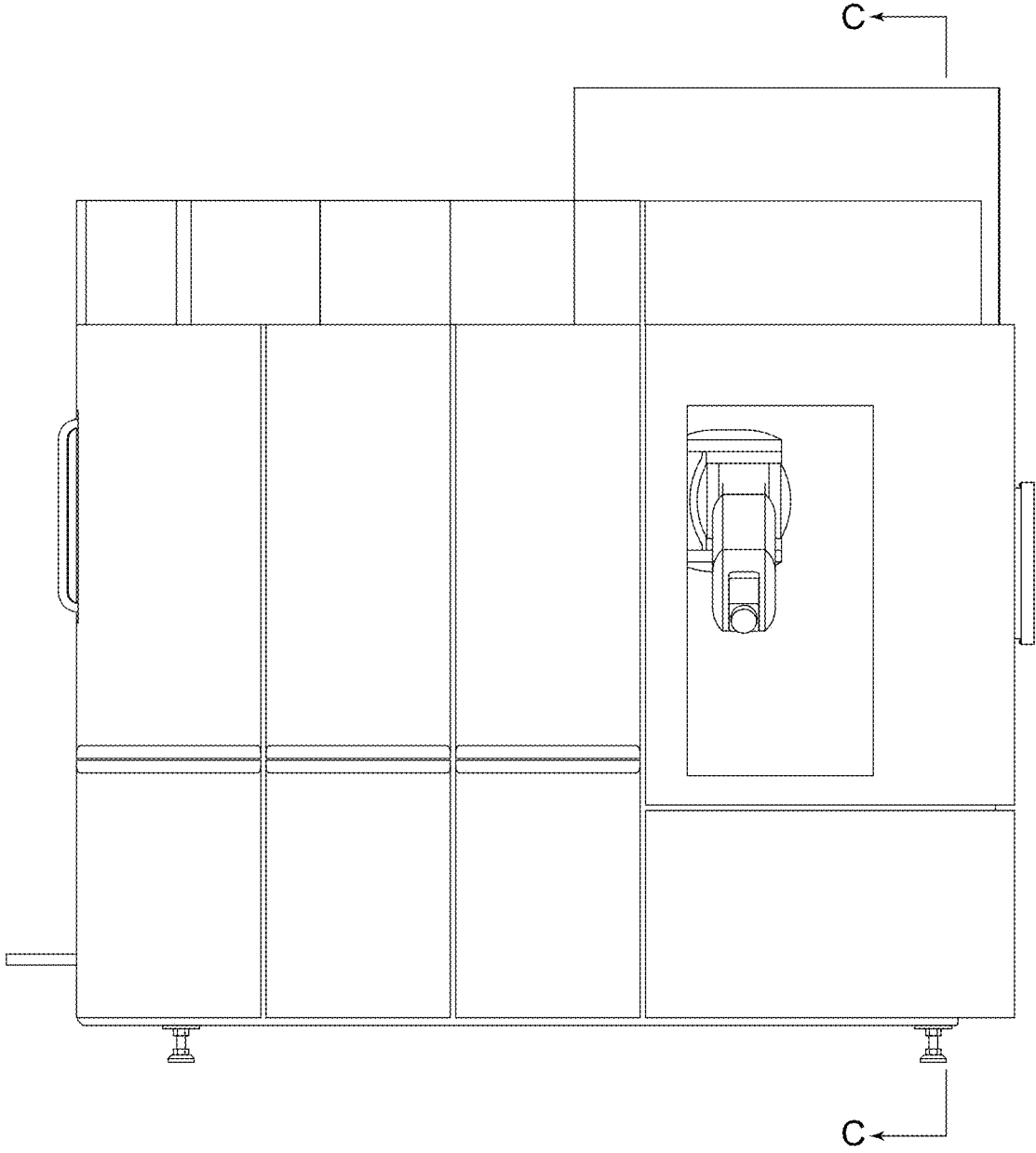
1.12



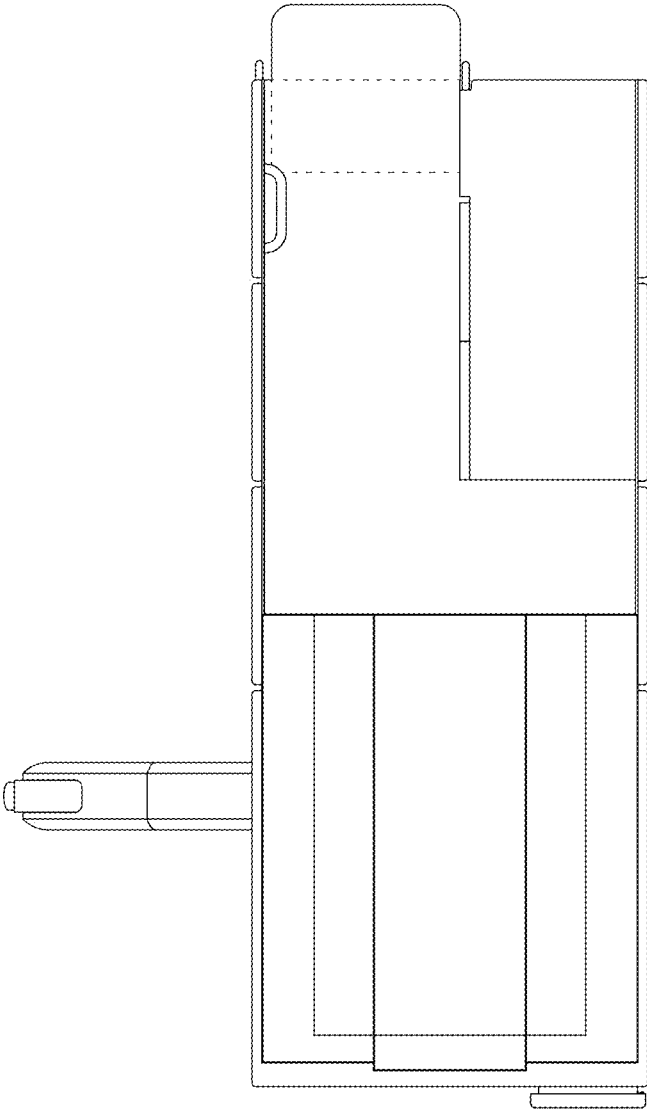
1.13



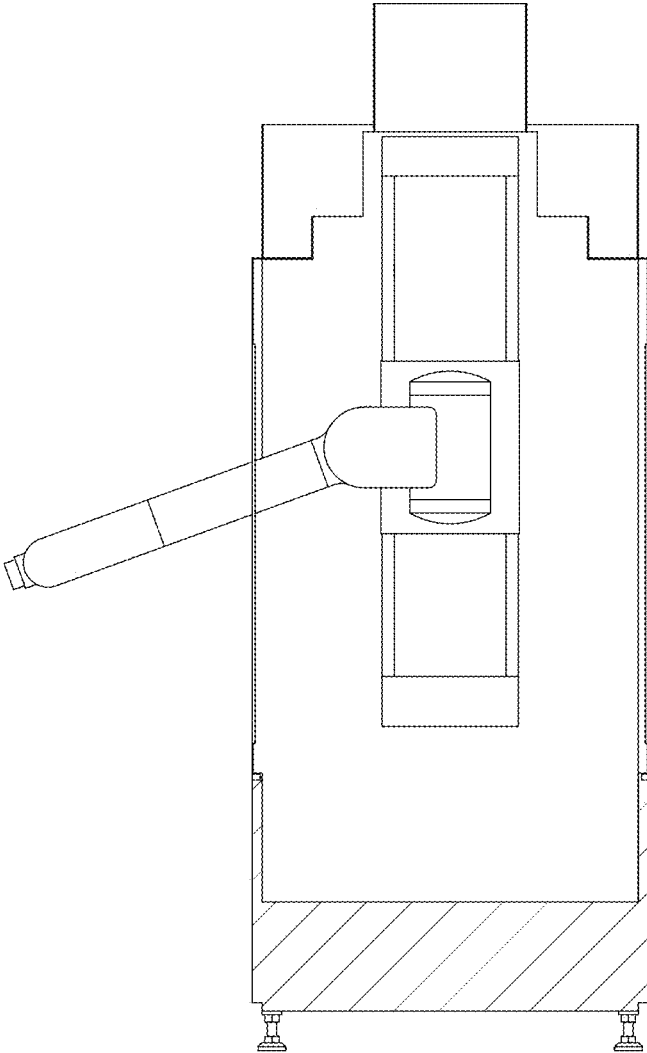
1.14



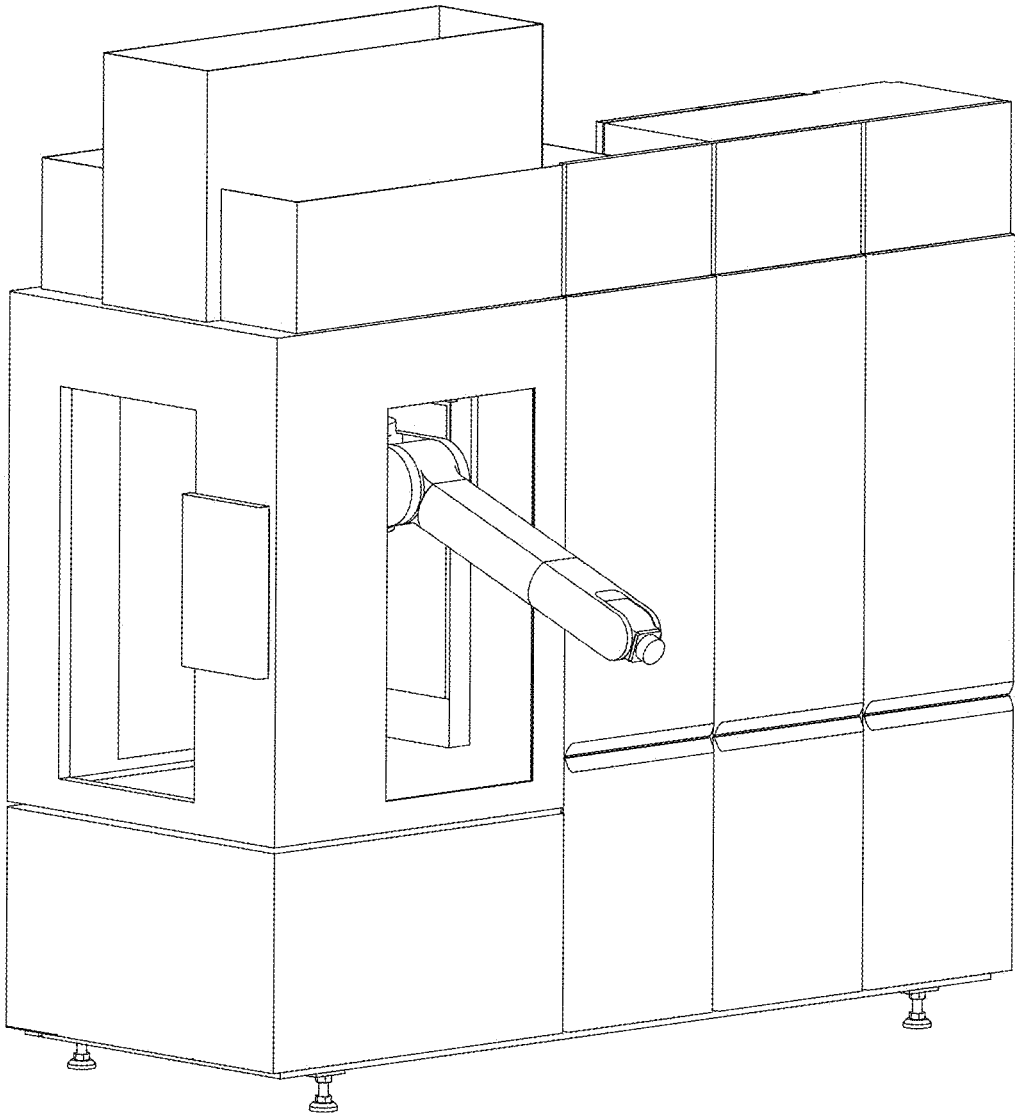
1.15



1.16



1.17



1.18