



US0D1027447S

(12) **United States Design Patent** (10) **Patent No.:** **US D1,027,447 S**
Aguilar et al. (45) **Date of Patent:** **** *May 21, 2024**

(54) **TACTICAL ELECTRONICS CASE**

www.amazon.com/Monitor-Protective-Case-Waterproof-Made/dp/B095SZL9NP (Year: 2021).*

(71) Applicant: **VK Integrated Systems, Inc.**,
Fullerton, CA (US)

(Continued)

(72) Inventors: **Steve I. Aguilar**, Fullerton, CA (US);
Vasilios K. Kapogianis, Fullerton, CA (US)

Primary Examiner — John R Yeh

Assistant Examiner — Dustin Andrew Griffith

(74) *Attorney, Agent, or Firm* — Paul J. Backofen, Esq.

(73) Assignee: **VK Integrated Systems, Inc.**,
Clarksville, TN (US)

(57) **CLAIM**

(*) Notice: This patent is subject to a terminal disclaimer.

The ornamental design for a tactical electronics case, as shown and described.

(**) Term: **15 Years**

DESCRIPTION

(21) Appl. No.: **29/815,102**

(22) Filed: **Nov. 11, 2021**

(51) **LOC (14) Cl.** **03-01**

(52) **U.S. Cl.**
USPC **D3/302**

(58) **Field of Classification Search**
USPC D3/201, 212, 225, 269, 272, 273, 276,
D3/283–286, 294, 295, 297–299, 301,
(Continued)

A portion of the disclosure of this patent document contains material which is subject to copyright protection. This patent document may show and/or describe matter which is or may become trade dress of VK Integrated Systems, Inc. The copyright and trade dress VK Integrated Systems, Inc. has no objection to the facsimile reproduction by anyone of the patent disclosure as it appears in the Patent and Trademark Office patent files or records, but otherwise reserves all copyright and trade dress rights whatsoever.

FIG. 1 is a right-front perspective view of a tactical electronics case showing our new design;

FIG. 2 is an exploded view of the right-front perspective view of FIG. 1;

FIG. 3 is a right-rear perspective view thereof;

FIG. 4 is an exploded view of the right-rear perspective view of FIG. 3;

FIG. 5 is a front elevation view thereof;

FIG. 6 is a rear elevation view thereof;

FIG. 7 is a top plan view thereof;

FIG. 8 is an exploded view of FIG. 7;

FIG. 9 is a bottom plan view thereof;

FIG. 10 is an exploded view of FIG. 9;

FIG. 11 is a right side elevation view thereof, the left side elevation being a mirror image of the right side;

FIG. 12 is an exploded view of FIG. 11; and,

FIG. 13 is an exploded left-rear perspective view thereof.
(Continued)

(56) **References Cited**

U.S. PATENT DOCUMENTS

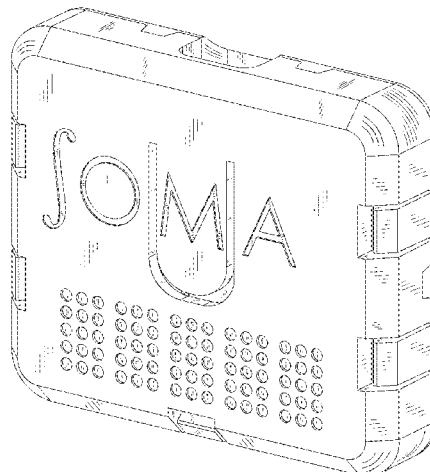
D121,621 S * 7/1940 Yant D3/904
D172,198 S * 5/1954 Scharfenberg D3/905
(Continued)

FOREIGN PATENT DOCUMENTS

CN 303911160 * 11/2016
CN 307390563 * 6/2022
KR 300829394.0000 * 12/2015

OTHER PUBLICATIONS

Evergreen Protective case for IEM, posted at amazon.com, first available May 25, 2021, retrieved on Jun. 22, 2021, online, https://



The broken lines depict portions of the tactical electronic case that form no part of the claimed design.

1 Claim, 10 Drawing Sheets

(58) Field of Classification Search

USPC D3/302, 304, 315; D9/414, 423–427,
D9/430, 432; D22/108, 199

CPC ... A45F 2200/00; A45F 2200/05; B65D 1/00;
B65D 1/22; B65D 1/24; B65D 11/00;
B65D 11/20

See application file for complete search history.

(56) References Cited

U.S. PATENT DOCUMENTS

D355,696 S * 2/1995 Yuen D22/123
D439,042 S * 3/2001 Lau D3/247

D455,037 S * 4/2002 Baba D6/407
D540,038 S * 4/2007 Hussaini D6/634
D565,298 S * 4/2008 Braun D3/273
D604,511 S * 11/2009 Lai D3/905
D656,316 S * 3/2012 Horito D3/302
D658,377 S * 5/2012 Corwin D9/423
D832,973 S * 11/2018 Keeble D22/136
D858,989 S * 9/2019 Kim D3/294
D929,732 S * 9/2021 Ding D3/273

OTHER PUBLICATIONS

Seahorse protective mil-spec case, posted at amazon.com, first available Nov. 27, 2018, retrieved on Jun. 22, 2021, online, <https://www.amazon.com/Seahorse-Micro-Case-Small-Green/dp/B07KXP7Z8H> (Year: 2018).*

Thyrm battery storage, posted at amazon.com, first available Nov. 3, 2021, retrieved on Jun. 21, 2021, online, <https://www.amazon.com/Thyrm-CellVault-5M-Modular-Battery-Batteries/dp/B09KW5B8QD?th=1> (Year: 2021).*

* cited by examiner

Fig. 1

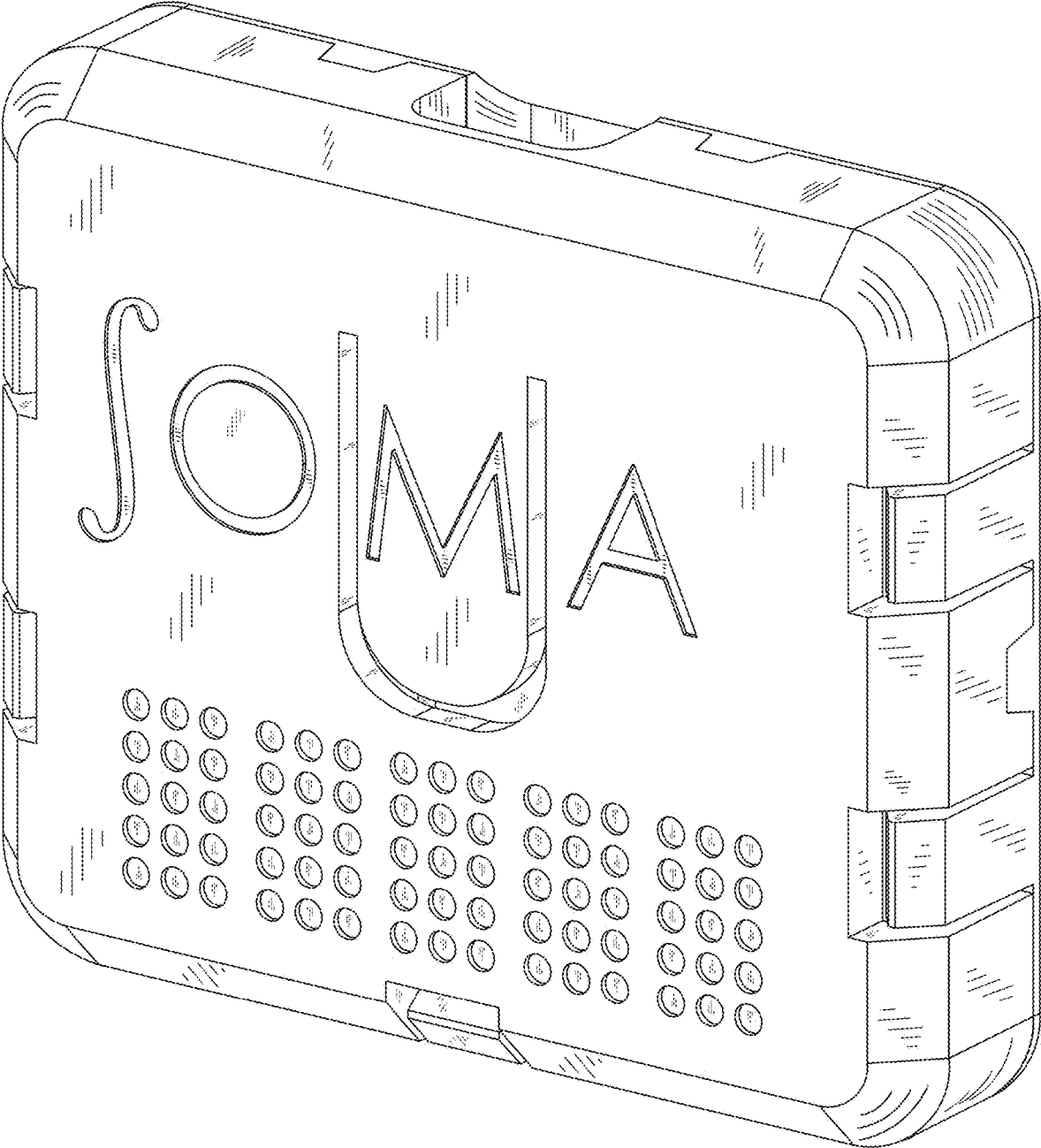


Fig. 2

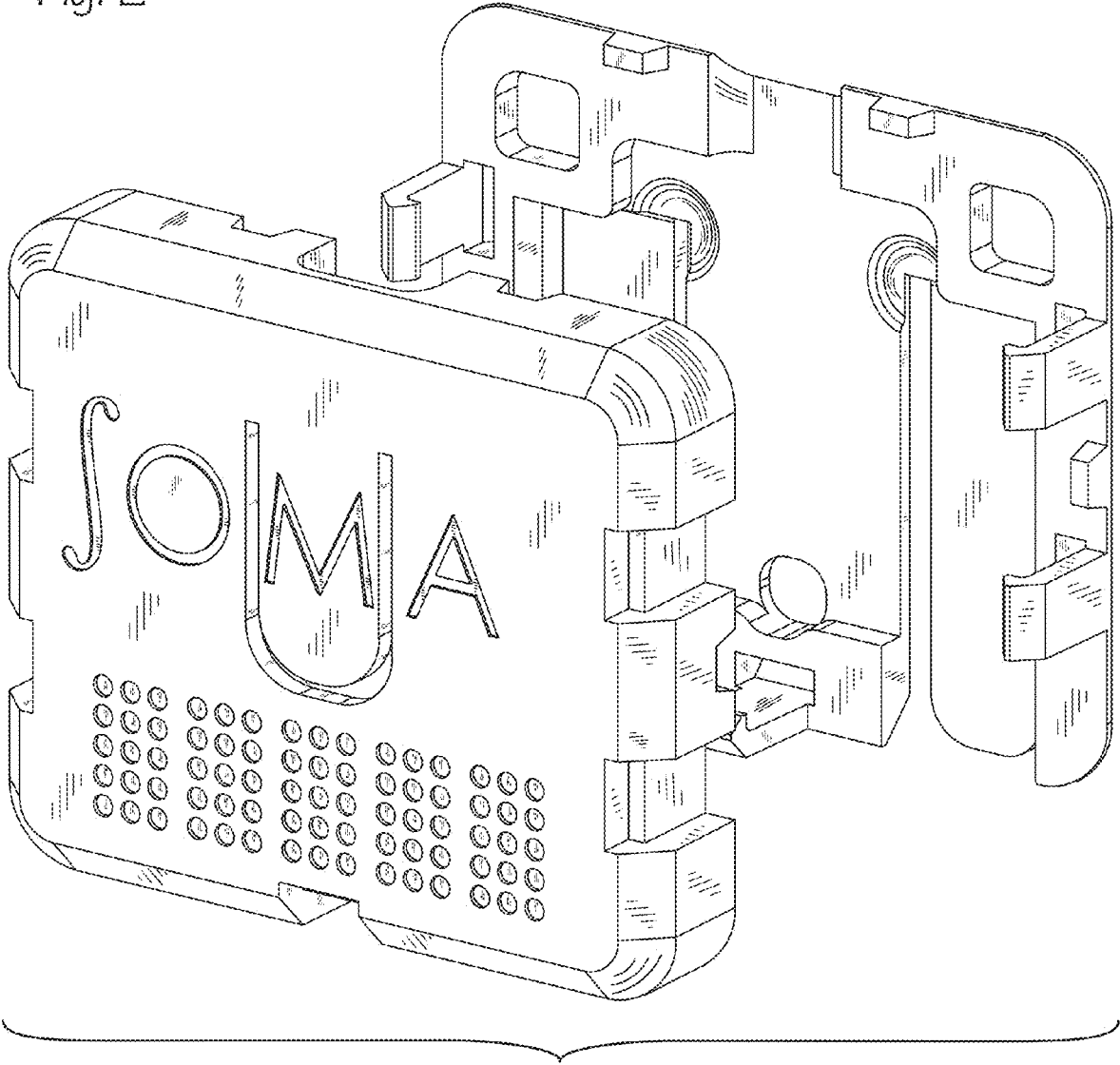


Fig. 3

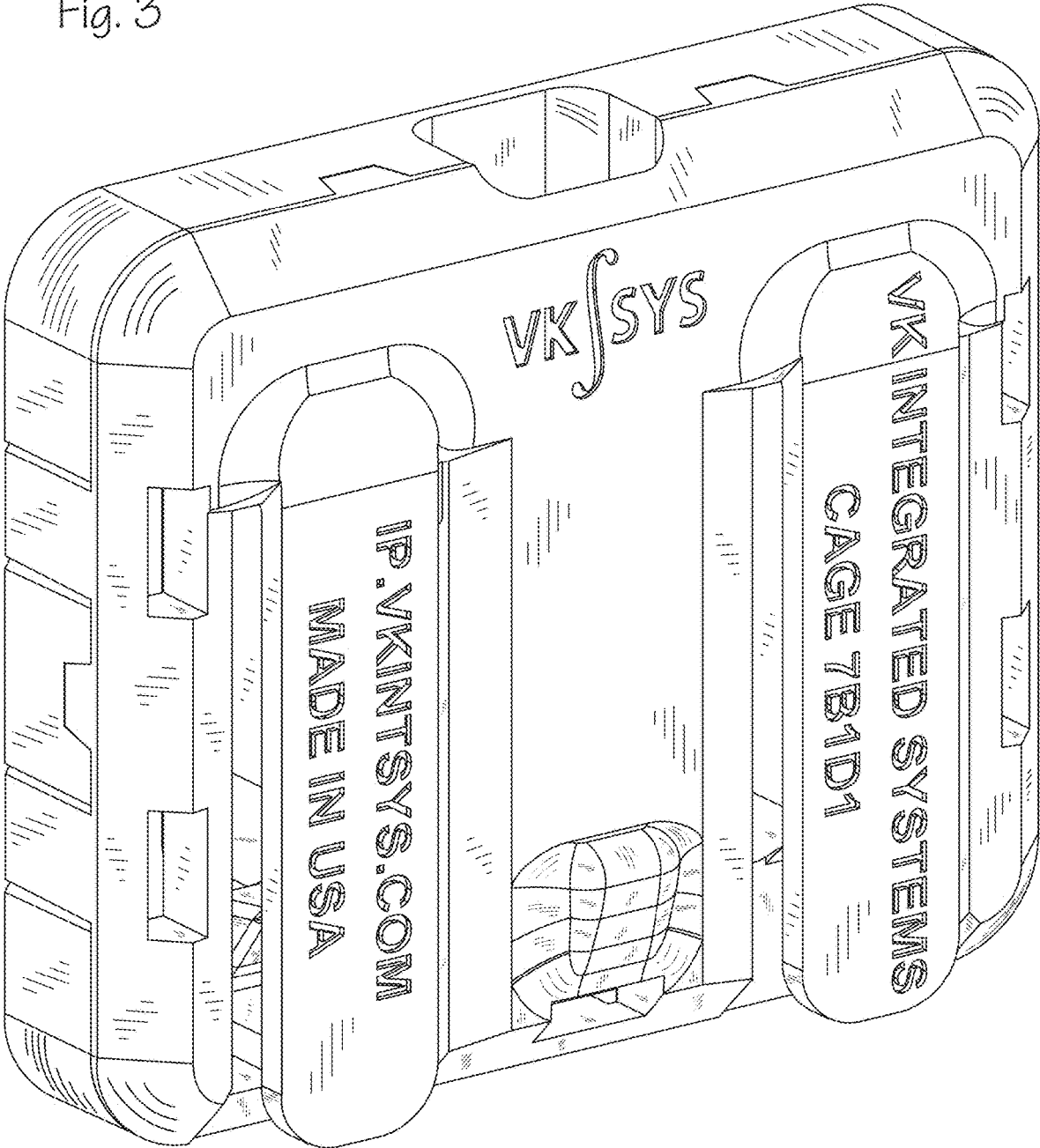


Fig. 4

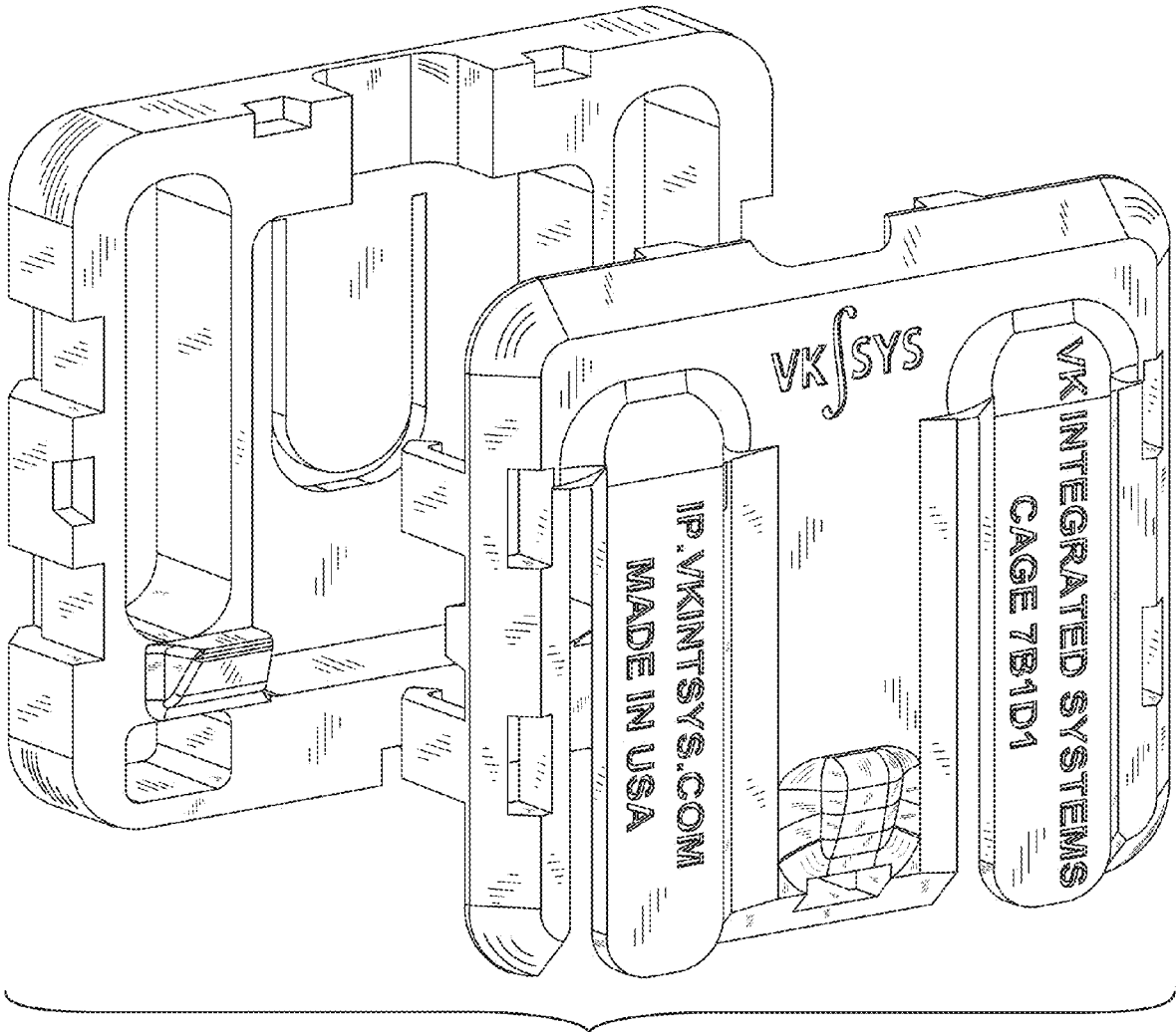


Fig. 5

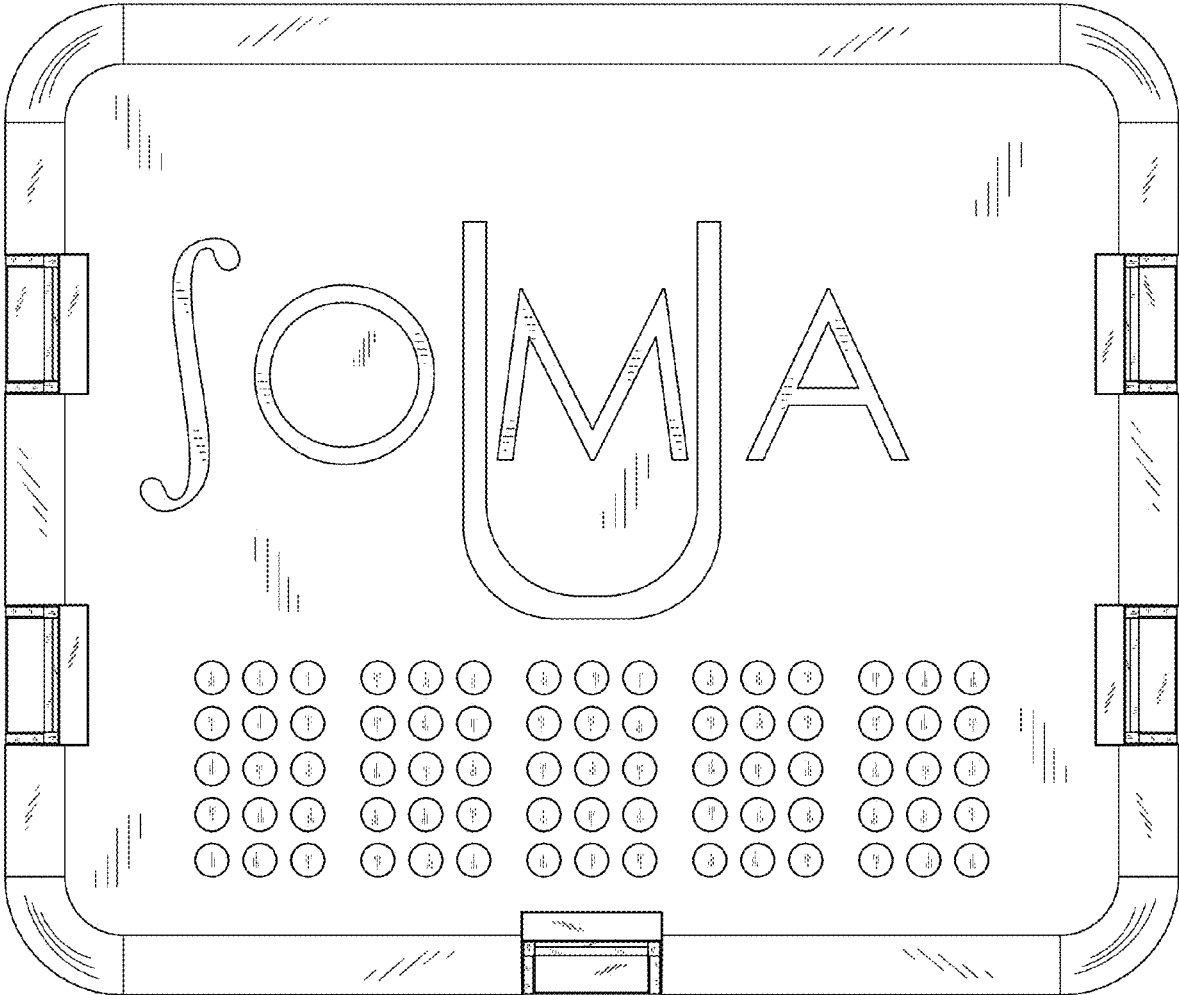


Fig. 6

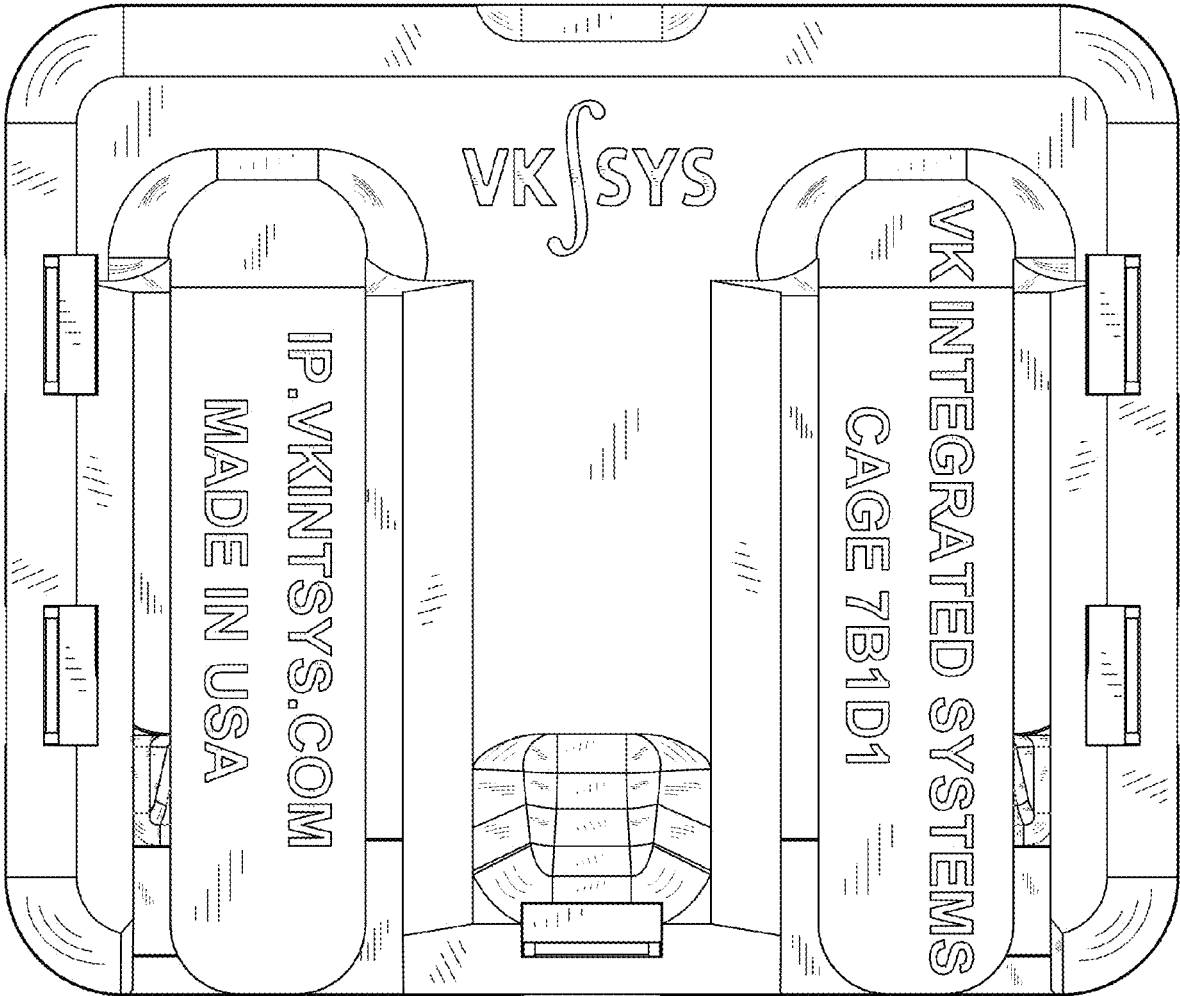


Fig. 7

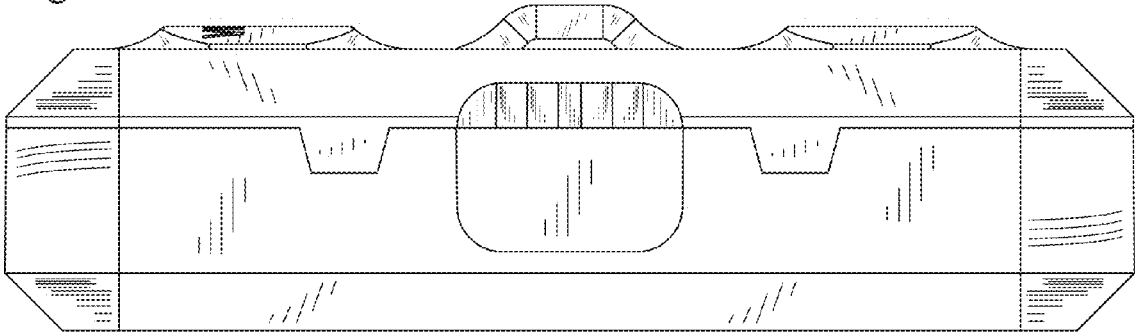


Fig. 8

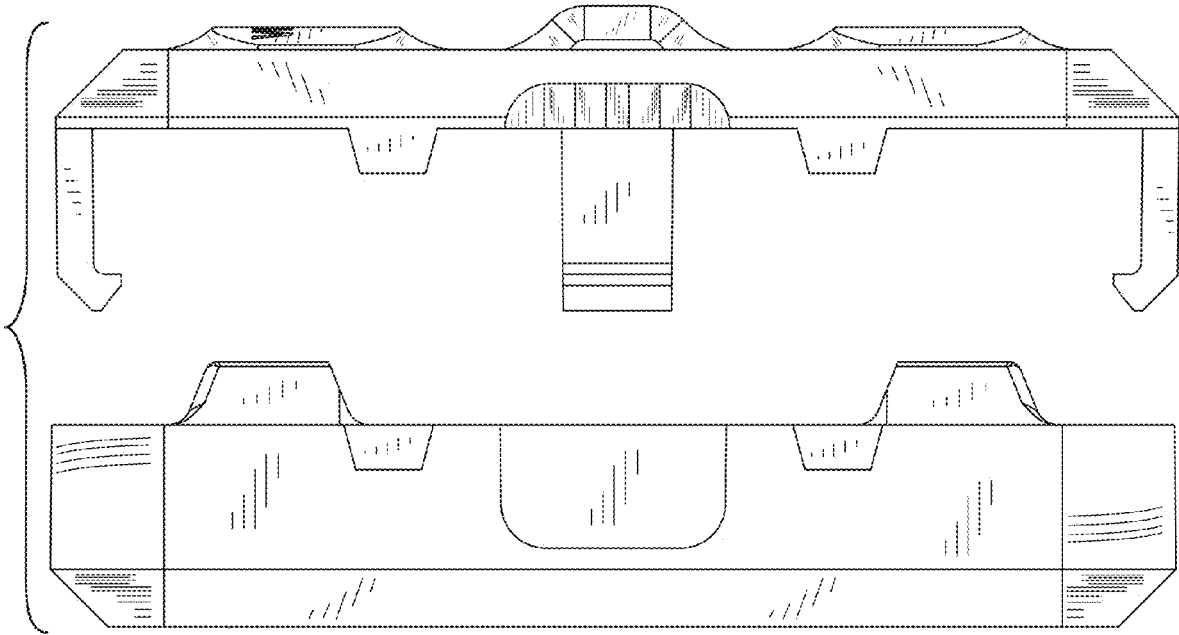


Fig. 9

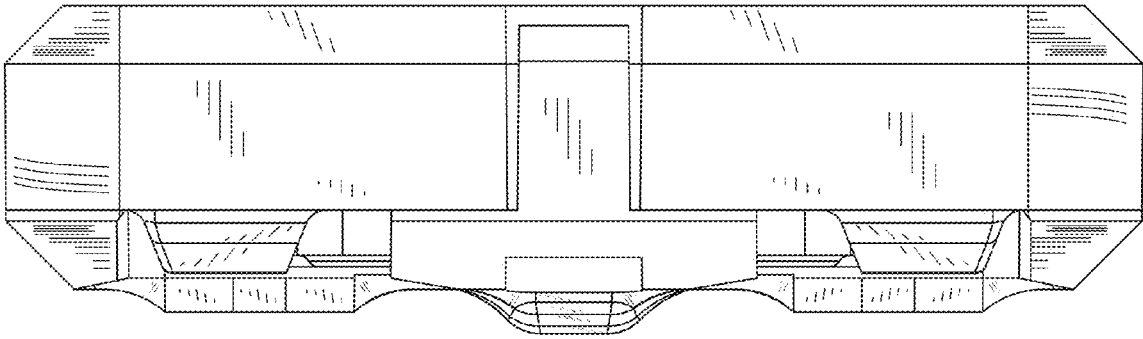


Fig. 10

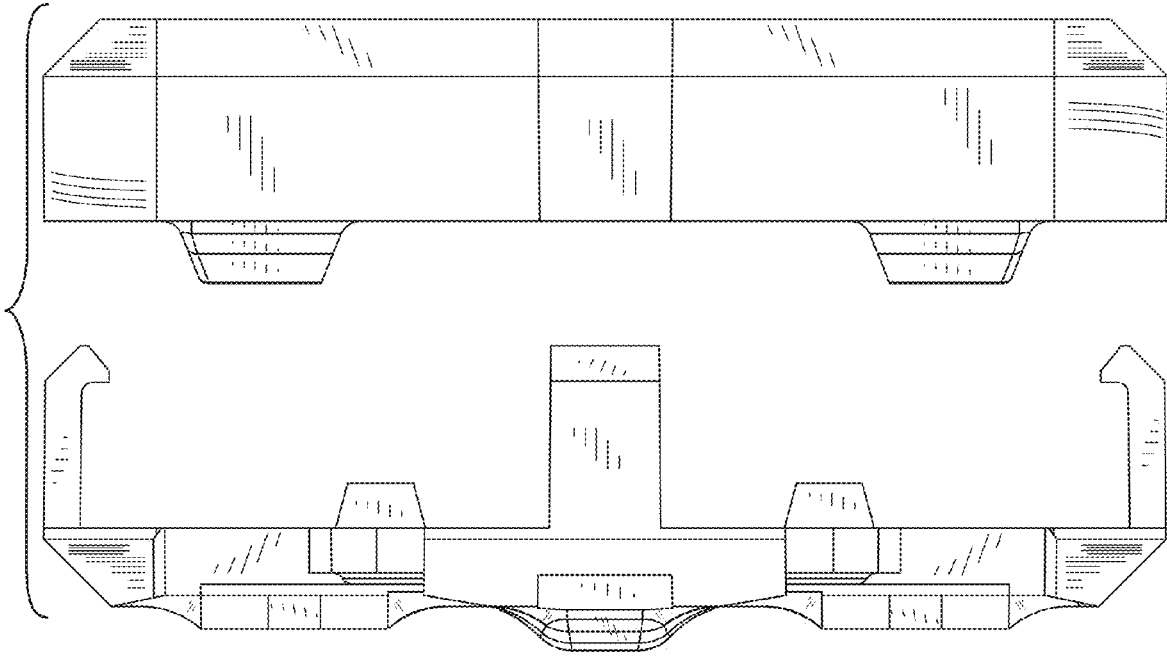


Fig. 11

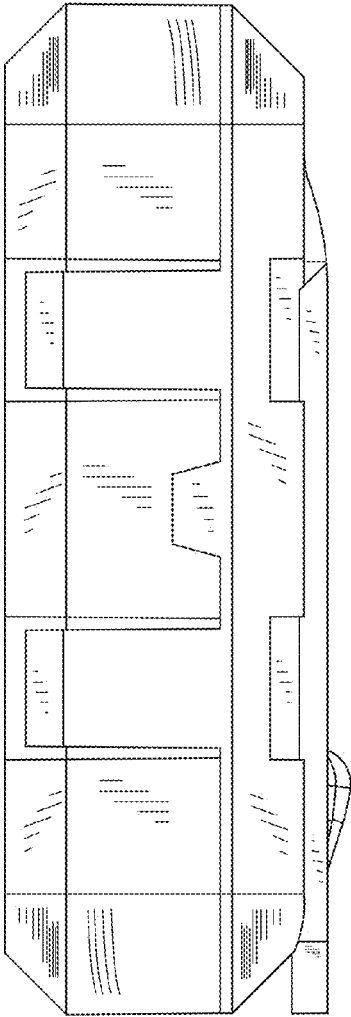


Fig. 12

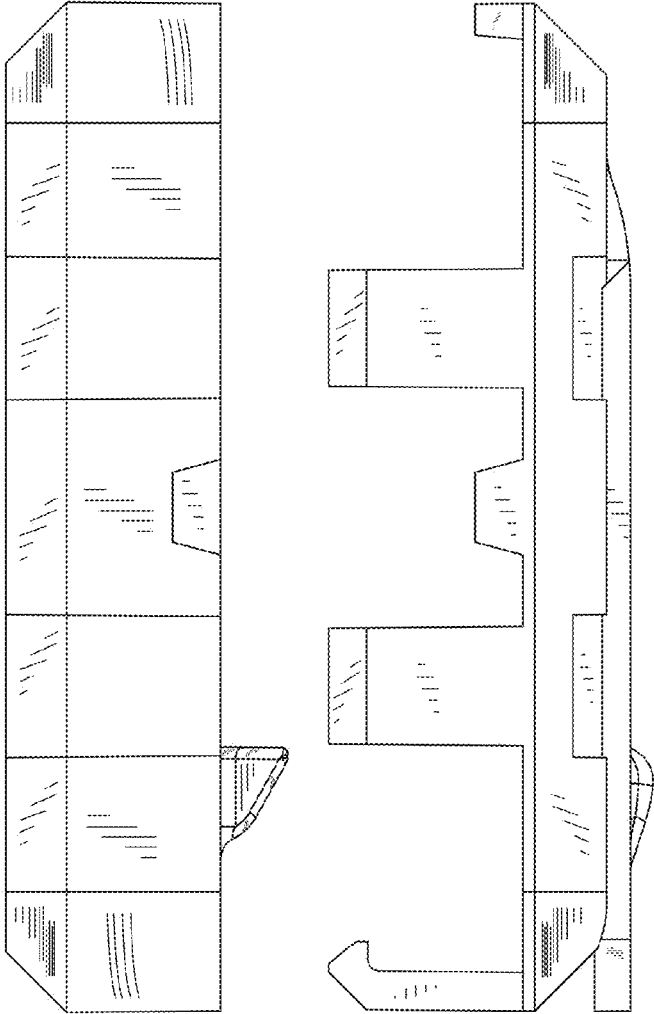


Fig. 13

