



US00D768787S

(12) **United States Design Patent**
Betsui et al.

(10) **Patent No.:** **US D768,787 S**

(45) **Date of Patent:** **** Oct. 11, 2016**

(54) **MEDAL TOY**

(71) Applicant: **BANDAI CO., LTD.**, Tokyo (JP)

(72) Inventors: **Hiroshi Betsui**, Tokyo (JP); **Nakayuki Sato**, Tokyo (JP)

(73) Assignee: **BANDAI CO., LTD.**, Tokyo (JP)

(**) Term: **15 Years**

(21) Appl. No.: **29/541,360**

(22) Filed: **Oct. 2, 2015**

(30) **Foreign Application Priority Data**

Apr. 3, 2015 (JP) 2015-007583

(51) **LOC (10) Cl.** **21-01**

(52) **U.S. Cl.**

USPC **D21/398**; D11/95

(58) **Field of Classification Search**

USPC D21/334, 338-346, 350-361, 362, 385,
D21/386, 390, 392, 397, 398, 404, 441, 475,
D21/476, 478, 483, 488, 489, 492, 493, 512,
D21/531, 811-813; D11/95-116, 40,
D11/44-85, 132-140, 200-241;
D20/28-38, 42, 43; D14/435-438;
446/26-28; 40/1.5, 1.6, 27.5, 315

CPC A44C 3/00-3/008; A44C 1/00; A63H
33/00; A63H 33/30; A63H 33/42; A44B
1/06; A44B 1/08; A44B 1/14

See application file for complete search history.

(56) **References Cited**

U.S. PATENT DOCUMENTS

D9,130 S * 3/1876 Delany D11/108
D19,319 S * 9/1889 Bachelier D11/108
D21,411 S * 3/1892 Cohen D11/101
D24,917 S * 11/1895 Nolan-Garnett D11/109
D25,544 S * 5/1896 Brown D11/108
784,077 A * 3/1905 Smith et al. A44C 3/001
273/153 R

D38,481 S * 3/1907 O'Sullivan D11/109
D47,383 S * 5/1915 Karabatos D11/96
1,293,137 A * 2/1919 McAdoo A44C 3/001
24/3.1
D53,758 S * 8/1919 Whitaker et al. D11/97
D90,768 S * 9/1933 Hutchison D11/116
D118,028 S * 12/1939 Vaisey D11/95
D131,872 S * 3/1942 Heberger D11/108
D133,488 S * 8/1942 Wiley D11/107
D160,641 S * 10/1950 Mantzowitz D11/115
3,468,045 A * 9/1969 Keller A44C 1/00
40/1.5
D283,410 S * 4/1986 De Rosa D11/41
4,597,206 A * 7/1986 Benson A44C 3/001
24/103

(Continued)

FOREIGN PATENT DOCUMENTS

JP D1514387 * 12/2014

Primary Examiner — Catherine Tuttle

(74) *Attorney, Agent, or Firm* — Rabin & Berdo, P.C.

(57) **CLAIM**

The ornamental design for a medal toy, as shown and described.

DESCRIPTION

FIG. 1 is a front perspective view of a medal toy;

FIG. 2 is a rear perspective view thereof;

FIG. 3 is a front view thereof;

FIG. 4 is a rear view thereof;

FIG. 5 is a top view thereof;

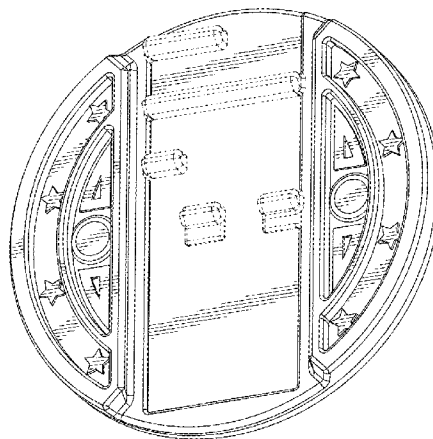
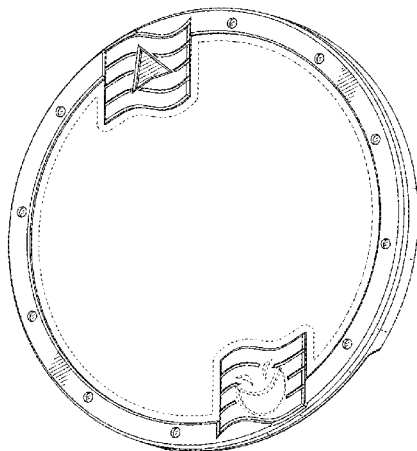
FIG. 6 is a bottom view thereof;

FIG. 7 is a left side view thereof; and,

FIG. 8 is a right side view thereof.

The broken lines shown in FIGS. 1 and 3, illustrate a boundary, with the area within the boundary forming no part of the claimed design. The rest of the broken lines shown in FIGS. 2 and 4-8 illustrate portions of the medal toy that form no part of the claimed design.

1 Claim, 4 Drawing Sheets



US D768,787 S

Page 2

(56)

References Cited

U.S. PATENT DOCUMENTS

D324,501 S *	3/1992	Ilaria	D11/95	7,069,678 B2 *	7/2006	Kaneko	A44B 1/06 40/1.5
D360,378 S *	7/1995	Albertson	D11/100	2003/0049391 A1 *	3/2003	Martorella	A44C 3/001 428/7
6,372,320 B1 *	4/2002	Schumi	A44C 21/00 273/148 R	2004/0081845 A1 *	4/2004	Liao	A44C 3/004 428/524
D523,489 S *	6/2006	Su	D21/390	2005/0011091 A1 *	1/2005	Lin	A44C 3/001 40/1.5

* cited by examiner

FIG. 1

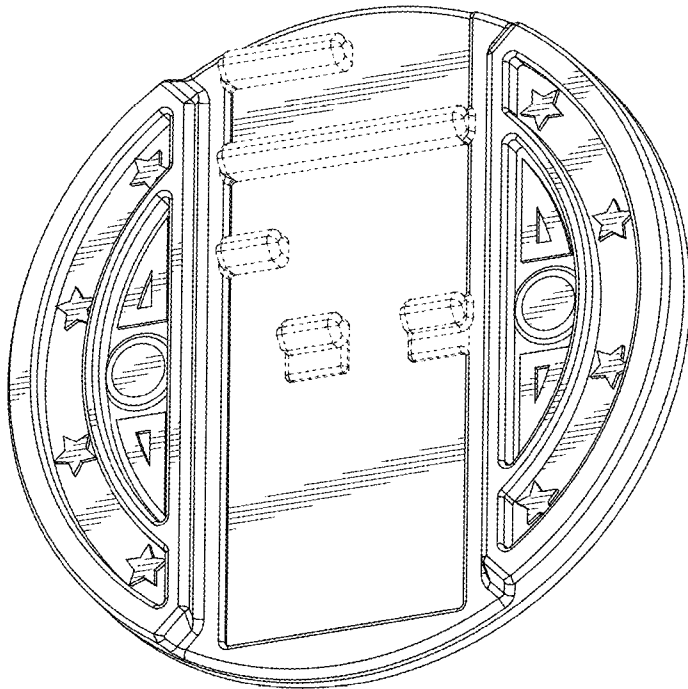
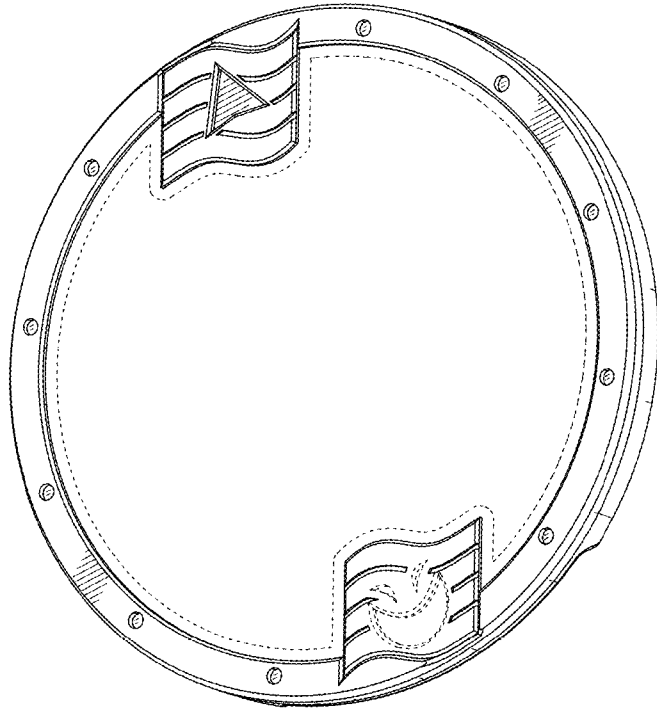


FIG. 2

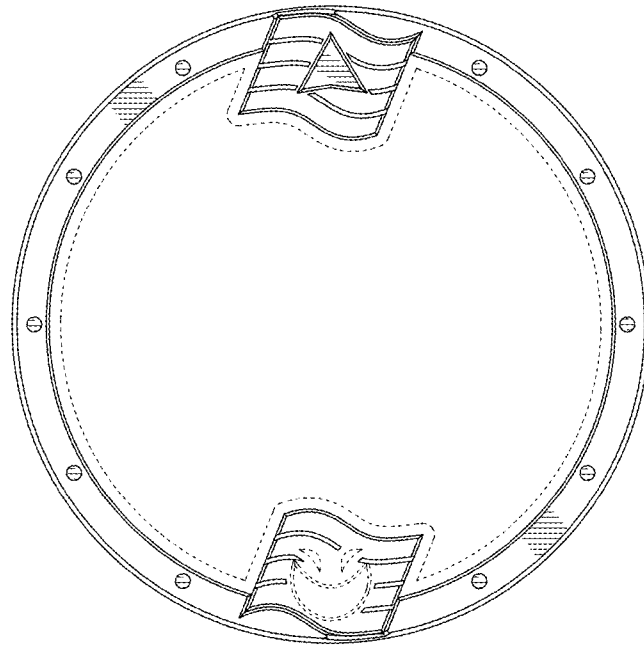


FIG. 3

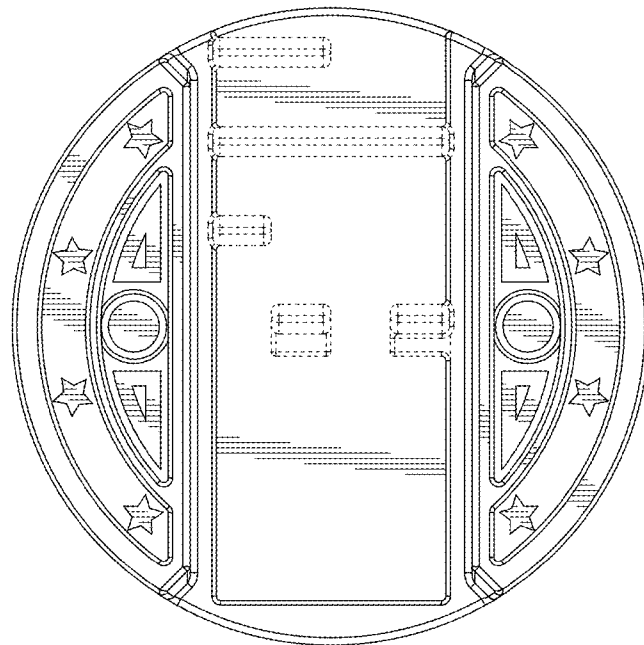


FIG. 4

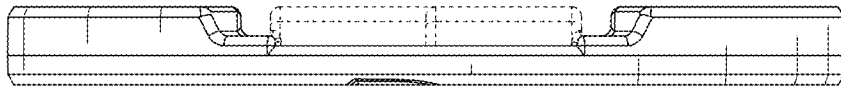


FIG. 5

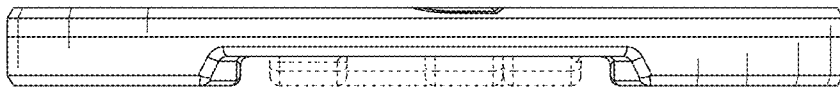


FIG. 6

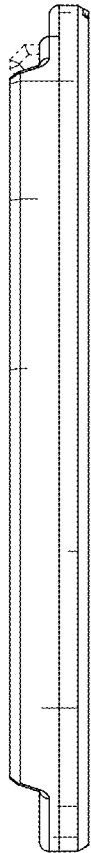


FIG. 7

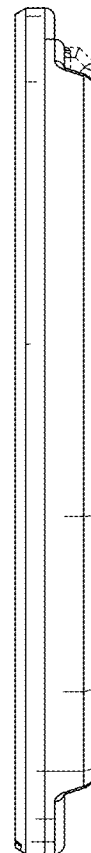


FIG. 8