

(19) World Intellectual Property Organization  
International Bureau



(43) International Publication Date  
26 November 2009 (26.11.2009)

PCT

(10) International Publication Number  
**WO 2009/142819 A3**

- (51) **International Patent Classification:**  
*B29C 45/00* (2006.01)    *B29C 44/10* (2006.01)  
*B29C 45/17* (2006.01)
- (21) **International Application Number:**  
PCT/US2009/038333
- (22) **International Filing Date:**  
26 March 2009 (26.03.2009)
- (25) **Filing Language:** English
- (26) **Publication Language:** English
- (30) **Priority Data:**  
12/055,727    26 March 2008 (26.03.2008)    US
- (71) **Applicant (for all designated States except US):** HENDRICKSON USA, L.L.C. [US/US]; 500 Park Boulevard, Suite 1010, Itasca, IL 60143 (US).
- (71) **Applicant:** DELTA TOOLING COMPANY [US/US]; 1350 Harmon Road, Auburn Hills, MI 48326 (US).
- (72) **Inventors; and**
- (75) **Inventors/Applicants (for US only):** ZAWACKI, Jeffrey, Russell [US/US]; 25212 Meadowlark Drive, Channahon, IL 60410 (US). MOZER, Wifried [DE/US]; 27845 Santa Ana Drive, Warren, MI 48093 (US). DE-SMITH, Brian, Leonard [US/US]; 485 Wallace Blvd., Oxford, MI 48371 (US).
- (74) **Agent:** MCGEE, Michael, J.; Cook, Alex, McFarron, Manzo, Cummings & Mehler, Ltd., 200 West Adams, Suite 2850, Chicago, IL 60606 (US).

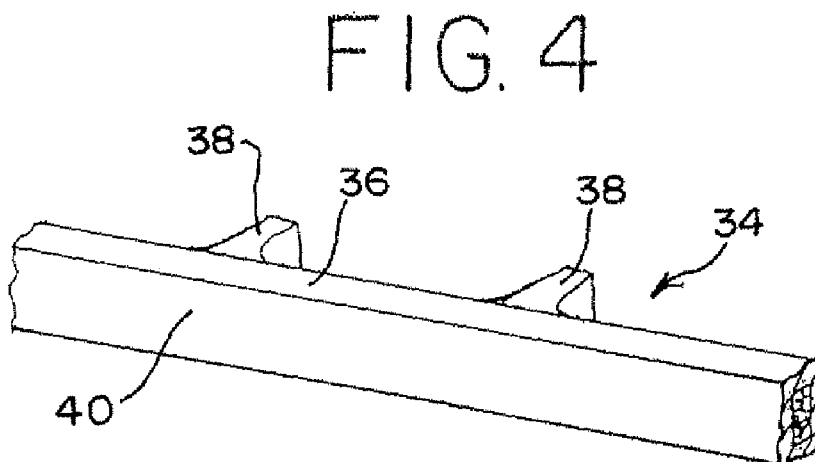
- (81) **Designated States (unless otherwise indicated, for every kind of national protection available):** AE, AG, AL, AM, AO, AT, AU, AZ, BA, BB, BG, BH, BR, BW, BY, BZ, CA, CH, CN, CO, CR, CU, CZ, DE, DK, DM, DO, DZ, EC, EE, EG, ES, FI, GB, GD, GE, GH, GM, GT, HN, HR, HU, ID, IL, IN, IS, JP, KE, KG, KM, KN, KP, KR, KZ, LA, LC, LK, LR, LS, LT, LU, LY, MA, MD, ME, MG, MK, MN, MW, MX, MY, MZ, NA, NG, NI, NO, NZ, OM, PG, PH, PL, PT, RO, RS, RU, SC, SD, SE, SG, SK, SL, SM, ST, SV, SY, TJ, TM, TN, TR, TT, TZ, UA, UG, US, UZ, VC, VN, ZA, ZM, ZW.
- (84) **Designated States (unless otherwise indicated, for every kind of regional protection available):** ARIPO (BW, GH, GM, KE, LS, MW, MZ, NA, SD, SL, SZ, TZ, UG, ZM, ZW), Eurasian (AM, AZ, BY, KG, KZ, MD, RU, TJ, TM), European (AT, BE, BG, CH, CY, CZ, DE, DK, EE, ES, FI, FR, GB, GR, HR, HU, IE, IS, IT, LT, LU, LV, MC, MK, MT, NL, NO, PL, PT, RO, SE, SI, SK, TR), OAPI (BF, BJ, CF, CG, CI, CM, GA, GN, GQ, GW, ML, MR, NE, SN, TD, TG).

**Published:**

- with international search report (Art. 21(3))
- before the expiration of the time limit for amending the claims and to be republished in the event of receipt of amendments (Rule 48.2(h))

- (88) **Date of publication of the international search report:**  
14 January 2010

(54) **Title:** MOLDED THERMOPLASTIC ARTICLES



(57) **Abstract:** An injection molded foam article including a structure and a projection projecting from the structure. The thickness of the projection is greater than 25% to 40% of the thickness of the structure, depending on the material of the article, and the front surface of the structure opposite the projection has a Class A surface.

WO 2009/142819 A3

## INTERNATIONAL SEARCH REPORT

International application No

PCT/US2009/038333

## A. CLASSIFICATION OF SUBJECT MATTER

INV. B29C45/00 B29C45/17 B29C44/10

According to International Patent Classification (IPC) or to both national classification and IPC

## B. FIELDS SEARCHED

Minimum documentation searched (classification system followed by classification symbols)

B29C

Documentation searched other than minimum documentation to the extent that such documents are included in the fields searched

Electronic data base consulted during the international search (name of data base and, where practical, search terms used)

EPO-Internal

## C. DOCUMENTS CONSIDERED TO BE RELEVANT

Category*	Citation of document, with indication, where appropriate, of the relevant passages	Relevant to claim No.
X	WO 01/62486 A (CONIX CORP [US]; PORTER MARSHALL RAY [US]) 30 August 2001 (2001-08-30) page 3, line 9 - page 4, line 18; figures 1A,1B,3	1-32
X	JP 56 060239 A (YOSHIDA KOGYO KK) 25 May 1981 (1981-05-25) abstract; figures 1-3	1-32
X	US 5 900 198 A (HORI YASUNORI [JP]) 4 May 1999 (1999-05-04) column 8, line 11 - line 46; figures 4,5A-5D	1-32
	----- -/--	

 Further documents are listed in the continuation of Box C. See patent family annex.

\* Special categories of cited documents :

- \*A\* document defining the general state of the art which is not considered to be of particular relevance
- \*E\* earlier document but published on or after the international filing date
- \*L\* document which may throw doubts on priority claim(s) or which is cited to establish the publication date of another citation or other special reason (as specified)
- \*O\* document referring to an oral disclosure, use, exhibition or other means
- \*P\* document published prior to the international filing date but later than the priority date claimed

- \*T\* later document published after the international filing date or priority date and not in conflict with the application but cited to understand the principle or theory underlying the invention
- \*X\* document of particular relevance; the claimed invention cannot be considered novel or cannot be considered to involve an inventive step when the document is taken alone
- \*Y\* document of particular relevance; the claimed invention cannot be considered to involve an inventive step when the document is combined with one or more other such documents, such combination being obvious to a person skilled in the art.
- \*&\* document member of the same patent family

Date of the actual completion of the international search

13 November 2009

Date of mailing of the international search report

23/11/2009

Name and mailing address of the ISA/

European Patent Office, P.B. 5818 Patentlaan 2  
 NL - 2280 HV Rijswijk  
 Tel. (+31-70) 340-2040,  
 Fax: (+31-70) 340-3016

Authorized officer

Horubala, Tomasz

## INTERNATIONAL SEARCH REPORT

International application No

PCT/US2009/038333

C(Continuation). DOCUMENTS CONSIDERED TO BE RELEVANT

Category*	Citation of document, with indication, where appropriate, of the relevant passages	Relevant to claim No.
X	US 5 985 188 A (JENNINGS ROY E [US] ET AL) 16 November 1999 (1999-11-16) column 5, line 58 - column 6, line 12 column 7, line 39 - line 45; figures 7,8,7a,7b,8a,8b -----	1-32
X	EP 0 593 308 A (ICP SYSTEMS INC [US]) 20 April 1994 (1994-04-20) column 7, line 6 - line 18 column 11, line 57 - column 12, line 19 column 12, line 31 - line 51; figures 11-18 -----	1-8, 12-16,32
X	EP 1 479 502 A (FUJI XEROX SUZUKA [JP]) 24 November 2004 (2004-11-24) paragraphs [0060], [0065], [0067], [0068]; figure 1 -----	1-3,9, 17-19,32
A	WO 02/078925 A (REHRIG INT INC [US]) 10 October 2002 (2002-10-10) — page 5, line 20 - page 6, line 7 page 9, line 1 - line 17 page 14, line 15 - page 16, line 2; figures 4,8,9 -----	1,17,32

## INTERNATIONAL SEARCH REPORT

Information on patent family members

International application No

PCT/US2009/038333

Patent document cited in search report		Publication date	Patent family member(s)	Publication date
WO 0162486	A	30-08-2001	CA 2393938 A1	30-08-2002
			CA 2397236 A1	30-08-2001
			CA 2397751 A1	30-08-2001
			EP 1257411 A1	20-11-2002
			EP 1265742 A1	18-12-2002
			EP 1263574 A1	11-12-2002
			WO 0162488 A1	30-08-2001
			WO 0162479 A1	30-08-2001
JP 56060239	A	25-05-1981	NONE	
US 5900198	A	04-05-1999	NONE	
US 5985188	A	16-11-1999	NONE	
EP 0593308	A	20-04-1994	AT 168617 T	15-08-1998
			DE 69319825 D1	27-08-1998
			DE 69319825 T2	25-03-1999
			JP 3340531 B2	05-11-2002
			JP 6315947 A	15-11-1994
			JP 3544539 B2	21-07-2004
			JP 2002264181 A	18-09-2002
			JP 3545746 B2	21-07-2004
			JP 2002264182 A	18-09-2002
EP 1479502	A	24-11-2004	CN 1622873 A	01-06-2005
			WO 03061939 A1	31-07-2003
			US 2005127579 A1	16-06-2005
WO 02078925	A	10-10-2002	NONE	