



US00D349565S

# United States Patent [19]

[11] Patent Number: Des. 349,565

Burns et al.

[45] Date of Patent: \*\* Aug. 9, 1994

[54] TOP COVER WITH DISCHARGE ORIFICE FOR THE OUTDOOR UNIT OF AN AIR CONDITIONING SPLIT SYSTEM

[75] Inventors: Larry D. Burns, Danville; Frederick J. Keller, Jr., Indianapolis, both of Ind.

[73] Assignee: Carrier Corporation, Syracuse, N.Y.

[\*\*] Term: 14 Years

[21] Appl. No.: 5,105

[22] Filed: Feb. 18, 1993

[52] U.S. Cl. .... D23/354; D23/351

[58] Field of Search ..... 165/125, 122; 62/507, 62/428; D23/351, 354

[56] **References Cited**

**U.S. PATENT DOCUMENTS**

5,066,194 11/1991 Amr et al. .... 165/125  
5,131,463 7/1992 Zimmerli et al. .... 165/125

Primary Examiner—Wallace R. Burke

Assistant Examiner—Lisa Lichtenstein

[57] **CLAIM**

The ornamental design for a top cover with discharge orifice for the outdoor unit of an air conditioning split system, as shown and described.

**DESCRIPTION**

FIG. 1 is a perspective view of a top cover with discharge orifice for the outdoor unit of an air conditioning split system, showing our new design;

FIG. 2 is a top plan view thereof;

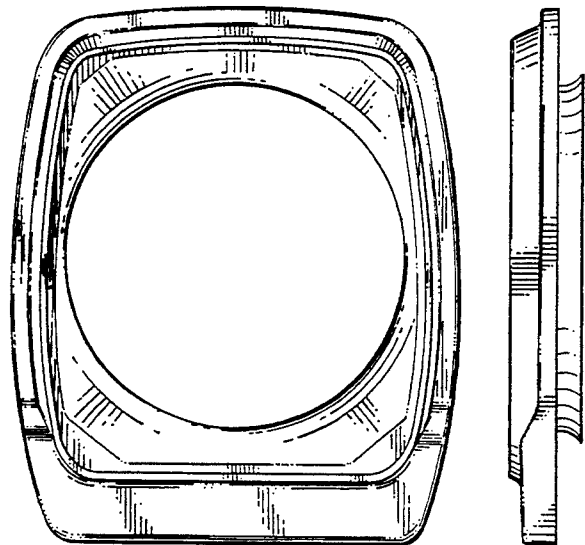
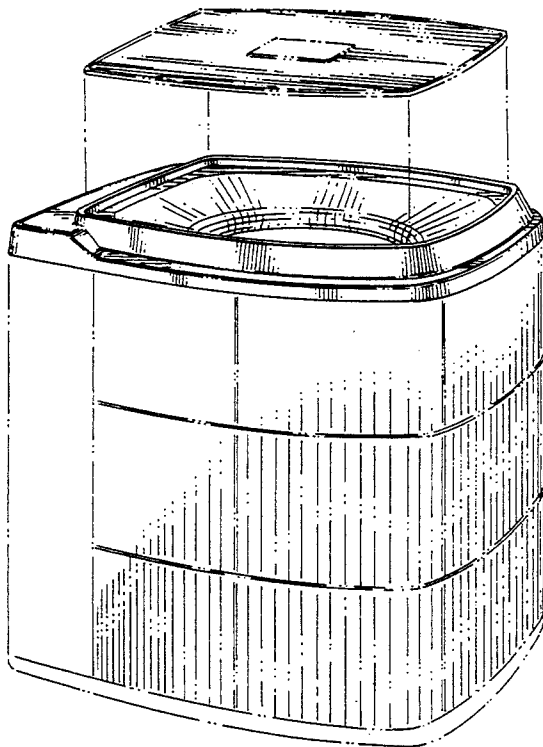
FIG. 3 is a front elevation view thereof, of which the rear elevational view is a mirror image;

FIG. 4 is a bottom plan view thereof;

FIG. 5 is a right side elevational view thereof; and,

FIG. 6 is a left side elevational view thereof.

The broken-line showing of a condensing unit and grate, in FIG. 1, is for illustrative purposes only, and forms no part of the claimed design.



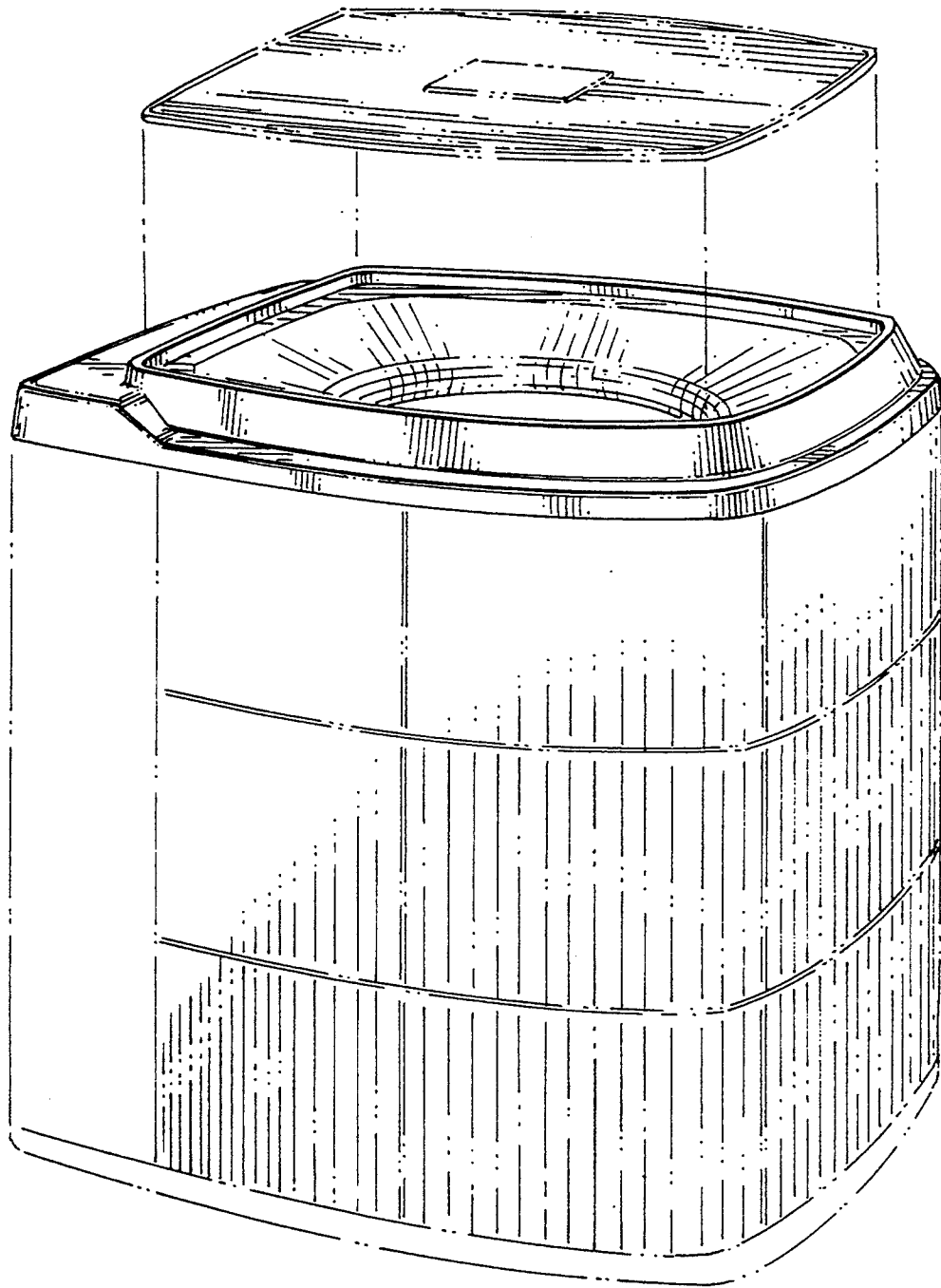


FIG. 1

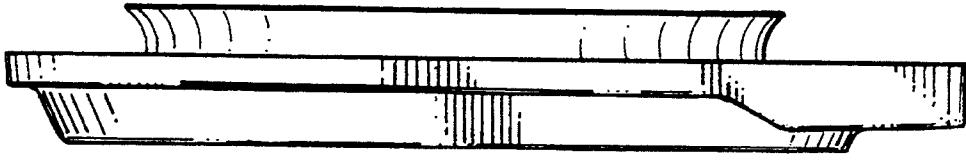


FIG. 3

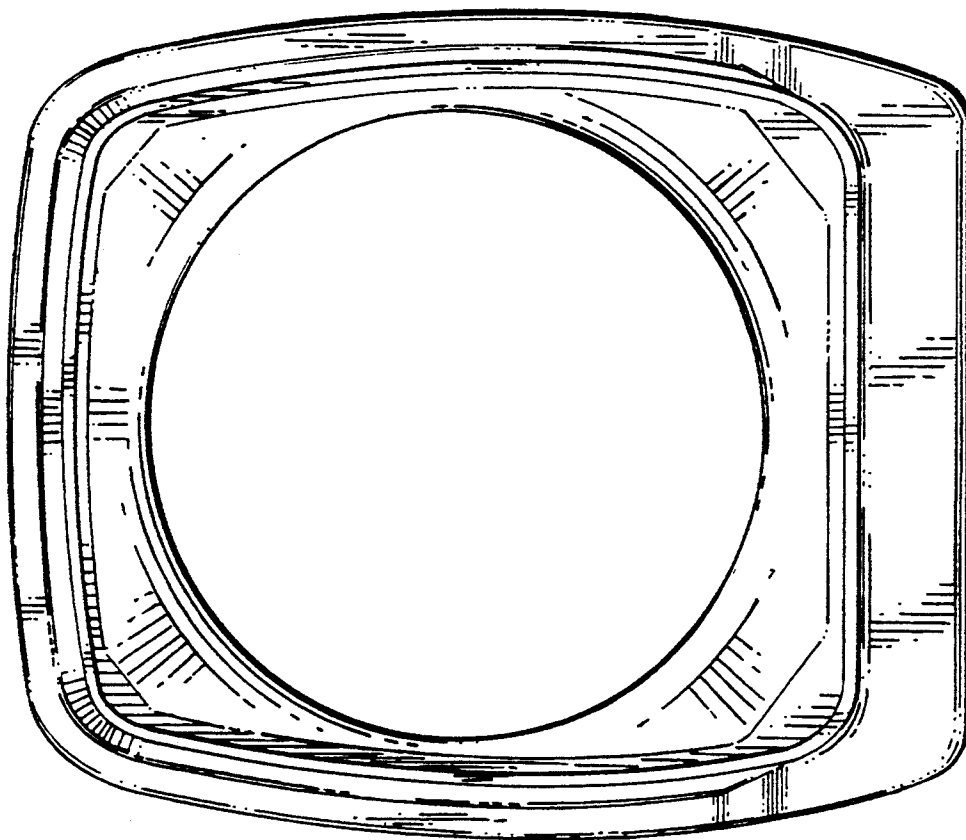


FIG. 2

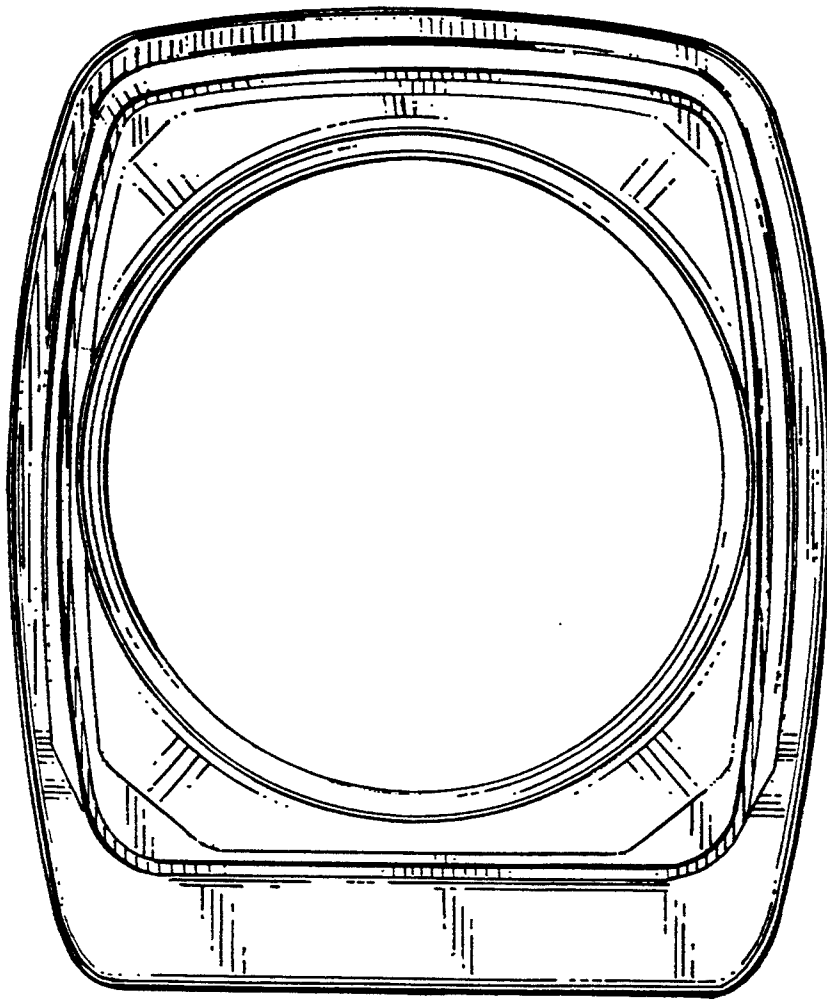


FIG. 4

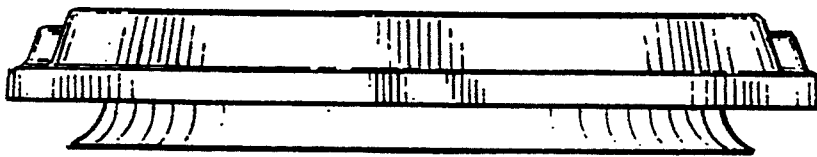


FIG. 5

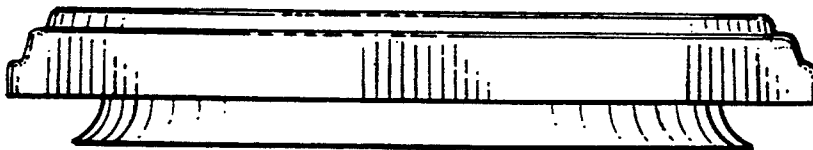


FIG. 6