

(19) World Intellectual Property Organization
International Bureau



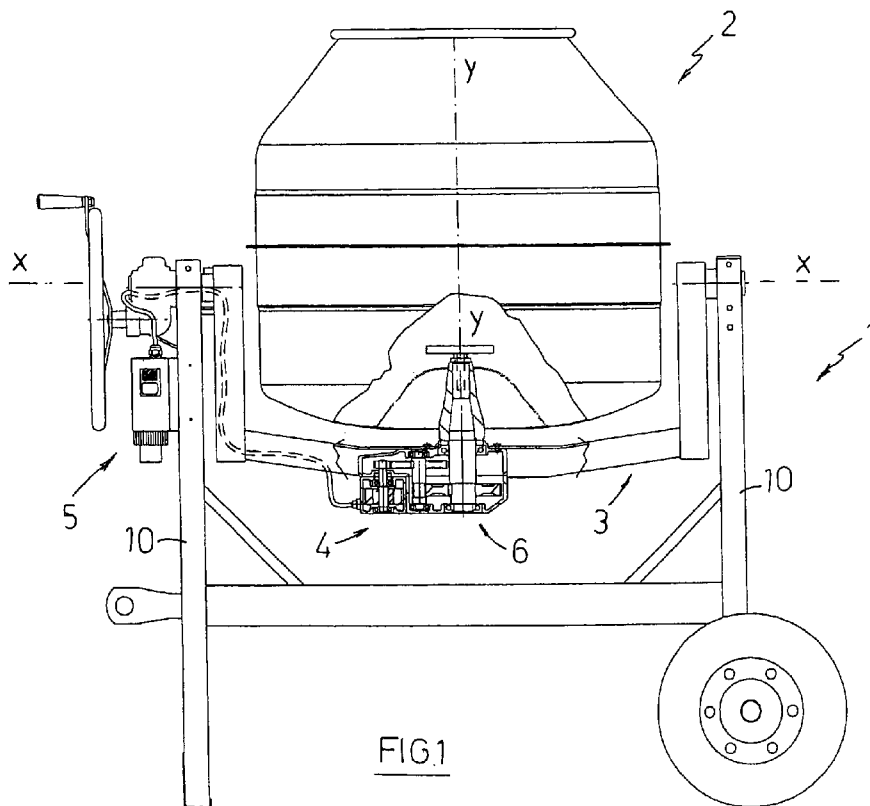
(43) International Publication Date
2 July 2009 (02.07.2009)

(10) International Publication Number
WO 2009/081437 A3

- (51) International Patent Classification:
B28C 5/08 (2006.01) *B28C 5/18* (2006.01)
- (21) International Application Number:
PCT/IT2008/000729
- (22) International Filing Date:
26 November 2008 (26.11.2008)
- (25) Filing Language: English
- (26) Publication Language: English
- (30) Priority Data:
FI2007U000069 21 December 2007 (21.12.2007) IT
- (71) Applicant (for all designated States except US): **IMER INTERNATIONAL S.P.A.** [IT/IT]; LOC. SALCETO 55, NUCLEO G, SCALA D, 1-53036 POGGIBONSI (SI) (IT).
- (72) Inventor; and
(75) Inventor/Applicant (for US only): **PAGOTTO, Loris** [IT/IT]; Via delle Rose, 1-53036 Poggibonsi (SI) (IT).
- (74) Agent: **MINCONE, Antimo**; Viale G. Matteotti 1, 1-50121 Firenze (IT).
- (81) Designated States (unless otherwise indicated, for every kind of national protection available): AE, AG, AL, AM, AO, AT, AU, AZ, BA, BB, BG, BH, BR, BW, BY, BZ, CA, CH, CN, CO, CR, CU, CZ, DE, DK, DM, DO, DZ, EC, EE, EG, ES, FI, GB, GD, GE, GH, GM, GT, HN, HR, HU, ID, IL, IN, IS, JP, KE, KG, KM, KN, KP, KR, KZ, LA, LC, LK, LR, LS, LT, LU, LY, MA, MD, ME, MG, MK, MN, MW, MX, MY, MZ, NA, NG, NI, NO, NZ, OM, PG, PH, PL, PT, RO, RS, RU, SC, SD, SE, SG, SK, SL, SM, ST, SV, SY, TJ, TM, TN, TR, TT, TZ, UA, UG, US, UZ, VC, VN, ZA, ZM, ZW.
- (84) Designated States (unless otherwise indicated, for every kind of regional protection available): ARIPO (BW, GH,

[Continued on next page]

(54) Title: CONCRETE MIXER



[Continued on next page]

WO 2009/081437 A3



GM, KE, LS, MW, MZ, NA, SD, SL, SZ, TZ, UG, ZM, ZW), Eurasian (AM, AZ, BY, KG, KZ, MD, RU, TJ, TM), European (AT, BE, BG, CH, CY, CZ, DE, DK, EE, ES, FI, FR, GB, GR, HR, HU, IE, IS, IT, LT, LU, LV, MC, MT, NL, NO, PL, PT, RO, SE, SI, SK, TR), OAPI (BF, BJ, CF, CG, CI, CM, GA, GN, GQ, GW, ML, MR, NE, SN, TD, TG).

— before the expiration of the time limit for amending the claims and to be republished in the event of receipt of amendments (Rule 48.2(h))

(88) Date of publication of the international search report:
3 September 2009

Published:

— with international search report (Art. 21(3))

(57) Abstract: Concrete mixer comprising a support structure (1), a tank (2), a tank-bearing support (3) which is joined to the structure (1) so that it can rotate around a horizontal axis (x-x), and an electric motor (4) whose activation determines the rotation of a tank (2) around a corresponding rotation axis (y-y), characterised in that said electric motor (4) is a brushless motor which drags the tank (2) into rotation by means of a speed reducer (6). (FIG.2).

INTERNATIONAL SEARCH REPORT

International application No
PCT/IT2008/000729

A. CLASSIFICATION OF SUBJECT MATTER
INV. B28C5/08 B28C5/18

According to International Patent Classification (IPC) or to both national classification and IPC

B. FIELDS SEARCHED

Minimum documentation searched (classification system followed by classification symbols)
B28C.

Documentation searched other than minimum documentation to the extent that such documents are included in the fields searched

Electronic data base consulted during the international search (name of data base and, where practical, search terms used)

EPO-Internal, WPI Data

C. DOCUMENTS CONSIDERED TO BE RELEVANT

Category*	Citation of document, with indication, where appropriate, of the relevant passages	Relevant to claim No.
X	EP 0 444 540 A (LESCHA MASCHF GMBH [DE]) 4 September 1991 (1991-09-04) column 4, line 19 - column 8, line 19; figures -----	1-4
X	EP 0 575 726 A (LESCHA MASCHF GMBH [DE]) 29 December 1993 (1993-12-29) column 3, line 40 - column 6, line 15; figure 2 -----	1

Further documents are listed in the continuation of Box C.

See patent family annex.

* Special categories of cited documents :

- *A* document defining the general state of the art which is not considered to be of particular relevance
- *E* earlier document but published on or after the international filing date
- *L* document which may throw doubts on priority claim(s) or which is cited to establish the publication date of another citation or other special reason (as specified)
- *O* document referring to an oral disclosure, use, exhibition or other means
- *P* document published prior to the international filing date but later than the priority date claimed

- *T* later document published after the international filing date or priority date and not in conflict with the application but cited to understand the principle or theory underlying the invention
- *X* document of particular relevance; the claimed invention cannot be considered novel or cannot be considered to involve an inventive step when the document is taken alone
- *Y* document of particular relevance; the claimed invention cannot be considered to involve an inventive step when the document is combined with one or more other such documents, such combination being obvious to a person skilled in the art.
- *&* document member of the same patent family

Date of the actual completion of the international search

3 July 2009

Date of mailing of the international search report

16/07/2009

Name and mailing address of the ISA/
European Patent Office, P.B. 5818 Patentlaan 2
NL - 2280 HV Rijswijk
Tel. (+31-70) 340-2040,
Fax: (+31-70) 340-3016

Authorized officer

Orij, Jack

INTERNATIONAL SEARCH REPORT

Information on patent family members

International application No

PCT/IT2008/000729

Patent document cited in search report		Publication date	Patent family member(s)	Publication date
EP 0444540	A	04-09-1991	AU 641983 B2	07-10-1993
			AU 7191491 A	05-09-1991
			DE 4006434 A1	05-09-1991
			ES 2055931 T3	01-09-1994
			FI 910849 A	02-09-1991
			NO 910717 A	02-09-1991
			PL 289205 A1	24-02-1992
			US 5190372 A	02-03-1993
<hr/>				
EP 0575726	A	29-12-1993	NONE	
<hr/>				