

(19) World Intellectual Property
Organization
International Bureau



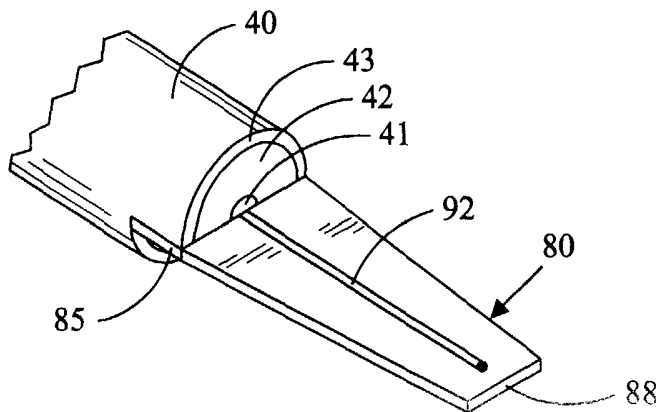
(43) International Publication Date
9 December 2004 (09.12.2004)

PCT

(10) International Publication Number
WO 2004/107401 A3

- (51) International Patent Classification⁷: **G01R 31/00**
- (21) International Application Number:
PCT/US2004/012806
- (22) International Filing Date: 26 April 2004 (26.04.2004)
- (25) Filing Language: English
- (26) Publication Language: English
- (30) Priority Data:
10/445,174 23 May 2003 (23.05.2003) US
- (71) Applicant (for all designated States except US): **CASCADE MICROTECH, INC.** [US/US]; 2430 N.W. 206th Avenue, Beaverton, OR 97006 (US).
- (72) Inventors; and
- (75) Inventors/Applicants (for US only): **GLEASON, K., Reed** [US/US]; 9615 N.W. Skyline Blvd., Portland, OR 97231 (US). **LESHER, Tim** [US/US]; 4219 S.E. Cora Street, Portland, OR 97206 (US). **ANDREWS, Mike** [US/US]; 610 S. Tarrybrook Drive, Cornelius, OR 97113 (US). **MARTIN, John** [US/US]; 1350 S.W. Maplecrest, Portland, OR 97219 (US).
- (74) Agents: **RUSSELL, Kevin, L.** et al.; Chernoff, Vilhauer, McClung & Stenzel, LLP, 1600 ODS Tower, 601 S.W. Second Avenue, Portland, OR 97204-3157 (US).
- (81) Designated States (unless otherwise indicated, for every kind of national protection available): AE, AG, AL, AM, AT, AU, AZ, BA, BB, BG, BR, BW, BY, BZ, CA, CH, CN, CO, CR, CU, CZ, DE, DK, DM, DZ, EC, EE, EG, ES, FI, GB, GD, GE, GH, GM, HR, HU, ID, IL, IN, IS, JP, KE, KG, KP, KR, KZ, LC, LK, LR, LS, LT, LU, LV, MA, MD, MG, MK, MN, MW, MX, MZ, NA, NI, NO, NZ, OM, PG, PH, PL, PT, RO, RU, SC, SD, SE, SG, SK, SL, SY, TJ, TM, TN, TR, TT, TZ, UA, UG, US, UZ, VC, VN, YU, ZA, ZM, ZW.
- (84) Designated States (unless otherwise indicated, for every kind of regional protection available): ARIPO (BW, GH, GM, KE, LS, MW, MZ, NA, SD, SL, SZ, TZ, UG, ZM, ZW), Eurasian (AM, AZ, BY, KG, KZ, MD, RU, TJ, TM), European (AT, BE, BG, CH, CY, CZ, DE, DK, EE, ES, FI, FR, GB, GR, HU, IE, IT, LU, MC, NL, PL, PT, RO, SE, SI, SK, TR), OAPI (BF, BJ, CF, CG, CI, CM, GA, GN, GQ, GW, ML, MR, NE, SN, TD, TG).
- Published:**
- with international search report
 - before the expiration of the time limit for amending the claims and to be republished in the event of receipt of amendments
- (88) Date of publication of the international search report:
31 March 2005
- For two-letter codes and other abbreviations, refer to the "Guidance Notes on Codes and Abbreviations" appearing at the beginning of each regular issue of the PCT Gazette.

(54) Title: PROBE FOR TESTING A DEVICE UNDER TEST



(57) Abstract: A probe measurement system for measuring the electrical characteristics of integrated circuits at high frequencies include a coaxial cable (40) for supporting and electrically connected to a microstrip probe having a dielectric substrate (88), an elongated conductor (92), a conductive member (90) electrically connected to a ground signal support by a second side of the substrate (88) and wherein the conductive member is under a majority of the length of an elongate conductor located on a first side of the substrate, a conductive path (94) between the first and second side of the substrate (88), and a contact electrically connected to the conductive path for making contact with a device under test.

WO 2004/107401 A3

INTERNATIONAL SEARCH REPORT

International application No.

PCT/US04/12806

A. CLASSIFICATION OF SUBJECT MATTER

IPC(7) : G01R 31/00
 US CL : 324/754,761,762

According to International Patent Classification (IPC) or to both national classification and IPC

B. FIELDS SEARCHED

Minimum documentation searched (classification system followed by classification symbols)
 U.S. : 324/754,761,762

Documentation searched other than minimum documentation to the extent that such documents are included in the fields searched

Electronic data base consulted during the international search (name of data base and, where practicable, search terms used)

C. DOCUMENTS CONSIDERED TO BE RELEVANT

Category *	Citation of document, with indication, where appropriate, of the relevant passages	Relevant to claim No.
A	US 3,445,770 A (HARMON) 20 MAY 1969 (see entire document).	1-57
A	US 5,742,174 A (KISTER ET AL) 21 APRIL 1998 (see entire document).	1-57
A	US 4,894,612 A (DRAKE ET AL) 16 JANUARY 1990 (see entire document).	1-57

Further documents are listed in the continuation of Box C.

See patent family annex.

* Special categories of cited documents:	"T"
"A" document defining the general state of the art which is not considered to be of particular relevance	later document published after the international filing date or priority date and not in conflict with the application but cited to understand the principle or theory underlying the invention
"E" earlier application or patent published on or after the international filing date	"X" document of particular relevance; the claimed invention cannot be considered novel or cannot be considered to involve an inventive step when the document is taken alone
"L" document which may throw doubts on priority claim(s) or which is cited to establish the publication date of another citation or other special reason (as specified)	"Y" document of particular relevance; the claimed invention cannot be considered to involve an inventive step when the document is combined with one or more other such documents, such combination being obvious to a person skilled in the art
"O" document referring to an oral disclosure, use, exhibition or other means	"&" document member of the same patent family
"P" document published prior to the international filing date but later than the priority date claimed	

Date of the actual completion of the international search

29 January 2005 (29.01.2005)

Date of mailing of the international search report

09 FEB 2005

Name and mailing address of the ISA/US

Mail Stop PCT, Attn: ISA/US
 Commissioner for Patents
 P.O. Box 1450
 Alexandria, Virginia 22313-1450

Facsimile No. (703) 305-3230

Authorized officer

VINH P NGUYEN
 Telephone No. 305-4900

James R. Morrison