

(19) World Intellectual Property Organization
International Bureau



(43) International Publication Date
3 February 2011 (03.02.2011)

(10) International Publication Number
WO 2011/012284 A3

(51) International Patent Classification:
A61C 8/00 (2006.01)

(21) International Application Number:
PCT/EP2010/004583

(22) International Filing Date:
27 July 2010 (27.07.2010)

(25) Filing Language: English

(26) Publication Language: English

(30) Priority Data:
09009674.4 27 July 2009 (27.07.2009) EP

(71) Applicant (for all designated States except US): STRAUMANN HOLDING AG [CH/CH]; Peter Merian-Weg 12, CH-4002 Basel (CH).

(72) Inventors; and

(75) Inventors/Applicants (for US only): GUENTER, Daniel [CH/CH]; c/o Institut Straumann AG, Peter Merian-Weg 12, CH-4002 Basel (CH). BAMMERLIN, Rainer [DE/CH]; c/o Institut Straumann AG, Peter Merian-Weg 12, CH-4002 Basel (CH). KENK, Frank [DE/CH]; c/o Institut Straumann AG, Peter Merian-Weg 12, CH-4002

Basel (CH). BUGNARD, Guillaume [CH/CH]; c/o Institut Straumann AG, Peter Merian-Weg 12, CH-4002 Basel (CH). BLASON, Frederic [FR/CH]; c/o Institut Straumann AG, Peter Merian-Weg 12, CH-4002 Basel (CH).

(74) Agent: SCHAAD, BALASS, MENZL & PARTNER AG; PATENTANWÄLTE, Dufourstrasse 101, Postfach, CH- 8034 Zürich (CH).

(81) Designated States (unless otherwise indicated, for every kind of national protection available): AE, AG, AL, AM, AO, AT, AU, AZ, BA, BB, BG, BH, BR, BW, BY, BZ, CA, CH, CL, CN, CO, CR, CU, CZ, DE, DK, DM, DO, DZ, EC, EE, EG, ES, FI, GB, GD, GE, GH, GM, GT, HN, HR, HU, ID, IL, IN, IS, JP, KE, KG, KM, KN, KP, KR, KZ, LA, LC, LK, LR, LS, LT, LU, LY, MA, MD, ME, MG, MK, MN, MW, MX, MY, MZ, NA, NG, NI, NO, NZ, OM, PE, PG, PH, PL, PT, RO, RS, RU, SC, SD, SE, SG, SK, SL, SM, ST, SV, SY, TH, TJ, TM, TN, TR, TT, TZ, UA, UG, US, UZ, VC, VN, ZA, ZM, ZW.

(84) Designated States (unless otherwise indicated, for every kind of regional protection available): ARIPO (BW, GH, GM, KE, LR, LS, MW, MZ, NA, SD, SL, SZ, TZ, UG, ZM, ZW), Eurasian (AM, AZ, BY, KG, KZ, MD, RU, TJ, TM), European (AL, AT, BE, BG, CH, CY, CZ, DE, DK,

[Continued on next page]

(54) Title: HOLDING PIECE FOR AN IMPLANT

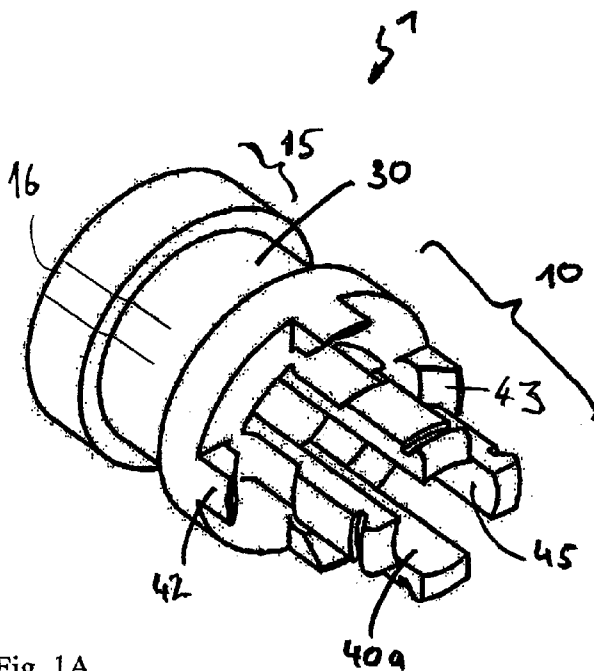


Fig. 1A

(57) Abstract: The present invention relates to a housing (35) for an implant (25), a holding piece (1) to connect the implant (25) to the housing (35), and to an insertion tool (20) for inserting the implant (25) into an implant site. The holding piece (1) comprises at least one resilient element (45) for detachably connecting to the implant (25) with a first retentive force and a tool retention means to connect to the insertion tool (20) with a second retentive force which is greater than the first retentive force. In between the two ends the holding piece (1) features a housing connection segment (30) for connecting the holding piece (1) to the housing (35). On a distal end the insertion tool (20) comprises torque transmission means, which transmit torque directly to the holding piece (1) and/or to the implant (25).



WO 2011/012284 A3



EE, ES, FI, FR, GB, GR, HR, HU, IE, IS, IT, LT, LU,
LV, MC, MK, MT, NL, NO, PL, PT, RO, SE, SI, SK,
SM, TR), OAPI (BF, BJ, CF, CG, CI, CM, GA, GN, GQ,
GW, ML, MR, NE, SN, TD, TG).

— before the expiration of the time limit for amending the
claims and to be republished in the event of receipt of
amendments (Rule 48.2(h))

Published:

— with international search report (Art. 21(3))

(88) Date of publication of the international search report:

24 March 2011

INTERNATIONAL SEARCH REPORT

International application No PCT/EP2010/004583

A. CLASSIFICATION OF SUBJECT MATTER
INV. A61C8/00

According to International Patent Classification (IPC) or to both national classification and IPC

B. FIELDS SEARCHED

Minimum documentation searched (classification system followed by classification symbols)
A61C

Documentation searched other than minimum documentation to the extent that such documents are included in the fields searched

Electronic data base consulted during the international search (name of data base and, where practical, search terms used)
EPO-Internal

C. DOCUMENTS CONSIDERED TO BE RELEVANT

Category*	Citation of document, with indication, where appropriate, of the relevant passages	Relevant to claim No.
X Y	US 2008/154281 A1 (SCHAFFRAN ALLAN [CA] ET AL) 26 June 2008 (2008-06-26) paragraph [0005]; figures 2,3,6-10 -----	1-4, 6-16,24 22,23
X Y	US 2006/217738 A1 (TANIMURA REMY [FR]) 28 September 2006 (2006-09-28) figures 7,8,12,13,21 -----	1-4,6-8, 10-16,24 22,23
X	US 2006/029907 A1 (LINDER ANDREAS [CH]) 9 February 2006 (2006-02-09) paragraph [0030] paragraph [0039] reference number 3 would be the holding element in the sense of the present application figures 2,5 paragraph [0027] ----- -/--	1-4, 6-10, 13-16,22

Further documents are listed in the continuation of Box C. See patent family annex.

* Special categories of cited documents :

<p>"A" document defining the general state of the art which is not considered to be of particular relevance</p> <p>"E" earlier document but published on or after the international filing date</p> <p>"L" document which may throw doubts on priority claim(s) or which is cited to establish the publication date of another citation or other special reason (as specified)</p> <p>"O" document referring to an oral disclosure, use, exhibition or other means</p> <p>"P" document published prior to the international filing date but later than the priority date claimed</p>	<p>"T" later document published after the international filing date or priority date and not in conflict with the application but cited to understand the principle or theory underlying the invention</p> <p>"X" document of particular relevance; the claimed invention cannot be considered novel or cannot be considered to involve an inventive step when the document is taken alone</p> <p>"Y" document of particular relevance; the claimed invention cannot be considered to involve an inventive step when the document is combined with one or more other such documents, such combination being obvious to a person skilled in the art.</p> <p>"&" document member of the same patent family</p>
--	--

Date of the actual completion of the international search 21 January 2011	Date of mailing of the international search report 28/01/2011
---	---

Name and mailing address of the ISA/ European Patent Office, P.B. 5818 Patentlaan 2 NL - 2280 HV Rijswijk Tel. (+31-70) 340-2040, Fax: (+31-70) 340-3016	Authorized officer Salvatore, Claudio
--	---

INTERNATIONAL SEARCH REPORT

International application No

PCT/EP2010/004583

C(Continuation). DOCUMENTS CONSIDERED TO BE RELEVANT

Category*	Citation of document, with indication, where appropriate, of the relevant passages	Relevant to claim No.
X	US 2006/269890 A1 (MUNDWILER ULRICH [CH] ET AL) 30 November 2006 (2006-11-30) claim 1; figures 5,5a,6,7,7a,9 paragraph [0055]	1-5, 7-10,22
X	----- US 2004/172035 A1 (PARMIGIANI CORRADO SAVERIO [IT]) 2 September 2004 (2004-09-02) figures 1,2,5a-5c,	1-3,7,8, 10-16,24
X,P	----- WO 2009/123798 A1 (KEYSTONE DENTAL INC [US]; WHIPPLE DALE [US]) 8 October 2009 (2009-10-08) figures 1,2,7,10-12,16 -----	1-16, 22-24

INTERNATIONAL SEARCH REPORT

International application No.
PCT/EP2010/004583

Box No. II Observations where certain claims were found unsearchable (Continuation of item 2 of first sheet)

This international search report has not been established in respect of certain claims under Article 17(2)(a) for the following reasons:

1. Claims Nos.:
because they relate to subject matter not required to be searched by this Authority, namely:

2. Claims Nos.:
because they relate to parts of the international application that do not comply with the prescribed requirements to such an extent that no meaningful international search can be carried out, specifically:

3. Claims Nos.:
because they are dependent claims and are not drafted in accordance with the second and third sentences of Rule 6.4(a).

Box No. III Observations where unity of invention is lacking (Continuation of item 3 of first sheet)

This International Searching Authority found multiple inventions in this international application, as follows:

see additional sheet

1. As all required additional search fees were timely paid by the applicant, this international search report covers all searchable claims.
2. As all searchable claims could be searched without effort justifying an additional fees, this Authority did not invite payment of additional fees.
3. As only some of the required additional search fees were timely paid by the applicant, this international search report covers only those claims for which fees were paid, specifically claims Nos.:
4. No required additional search fees were timely paid by the applicant. Consequently, this international search report is restricted to the invention first mentioned in the claims; it is covered by claims Nos.:

1-16, 22-24

Remark on Protest

- The additional search fees were accompanied by the applicant's protest and, where applicable, the payment of a protest fee.
- The additional search fees were accompanied by the applicant's protest but the applicable protest fee was not paid within the time limit specified in the invitation.
- No protest accompanied the payment of additional search fees.

FURTHER INFORMATION CONTINUED FROM PCT/ISA/ 210

This International Searching Authority found multiple (groups of) inventions in this international application, as follows:

1. claims: 1-16, 22-24

Holding piece for an implant, with or without an insertion tool, wherein the holding piece is separate from an insertion tool and has features which enable it to be removably attached to an implant on the first end, and to an insertion tool on the second end.

2. claims: 17-21

Insertion tool which is suitable for use together with a holding piece, the tool comprising a shank and a torque transmission element.

INTERNATIONAL SEARCH REPORT

Information on patent family members

International application No

PCT/EP2010/004583

Patent document cited in search report	Publication date	Patent family member(s)	Publication date
US 2008154281 A1	26-06-2008	CA 2714032 A1 WO 2008095306 A1	14-08-2008 14-08-2008

US 2006217738 A1	28-09-2006	AU 2004231328 A1 CA 2522099 A1 EP 1613236 A1 FR 2853828 A1 WO 2004093714 A1	04-11-2004 04-11-2004 11-01-2006 22-10-2004 04-11-2004

US 2006029907 A1	09-02-2006	AT 419806 T CA 2514559 A1 EP 1623679 A1 ES 2322900 T3 JP 2006043453 A	15-01-2009 05-02-2006 08-02-2006 01-07-2009 16-02-2006

US 2006269890 A1	30-11-2006	AT 483419 T EP 1749501 A1	15-10-2010 07-02-2007

US 2004172035 A1	02-09-2004	DE 102004006930 A1 JP 2004255191 A	18-11-2004 16-09-2004

WO 2009123798 A1	08-10-2009	US 2009253098 A1	08-10-2009
